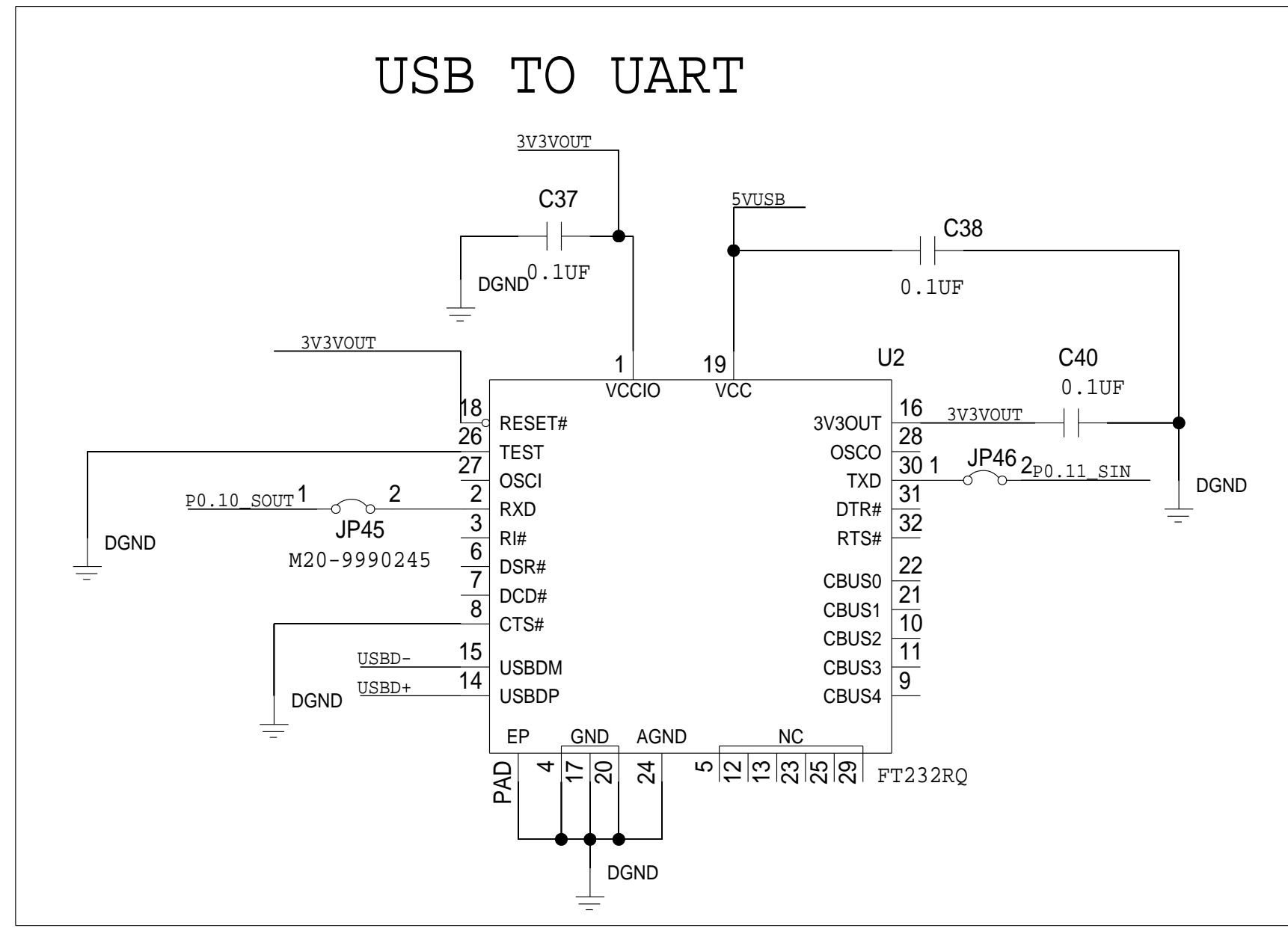
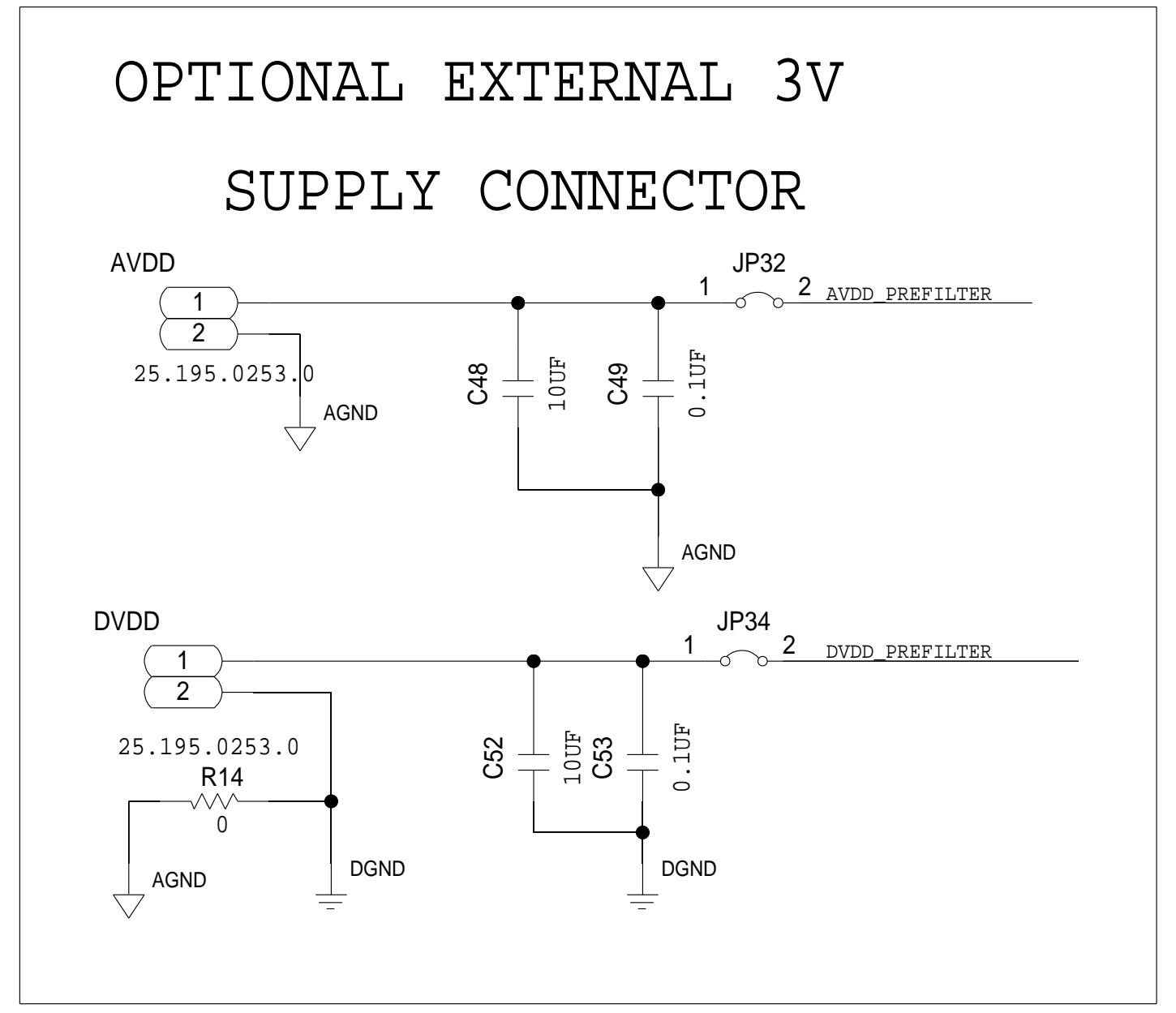
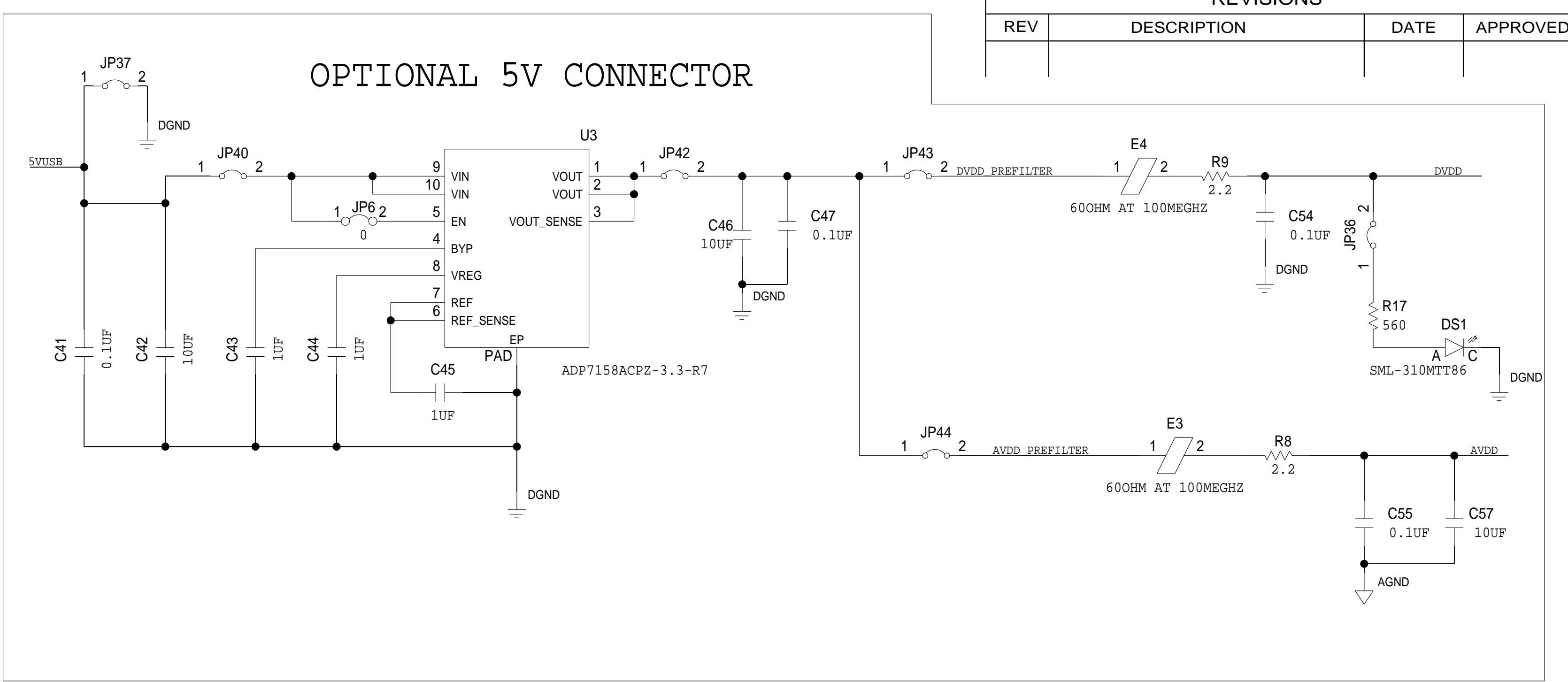
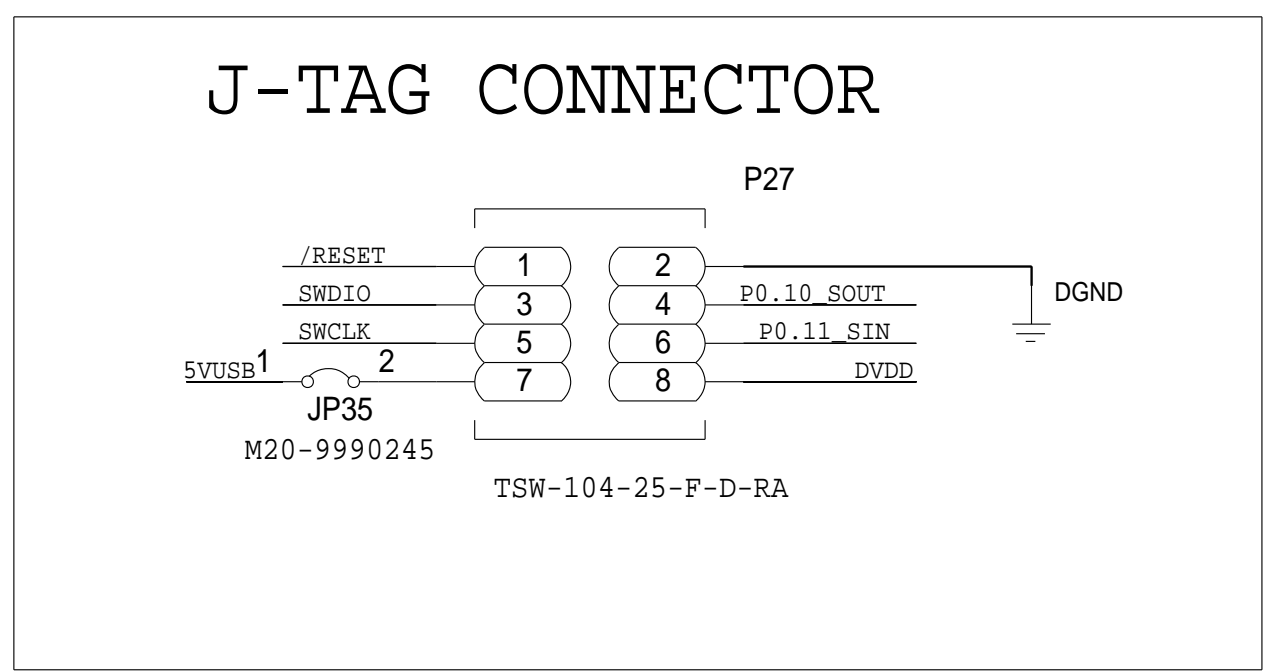
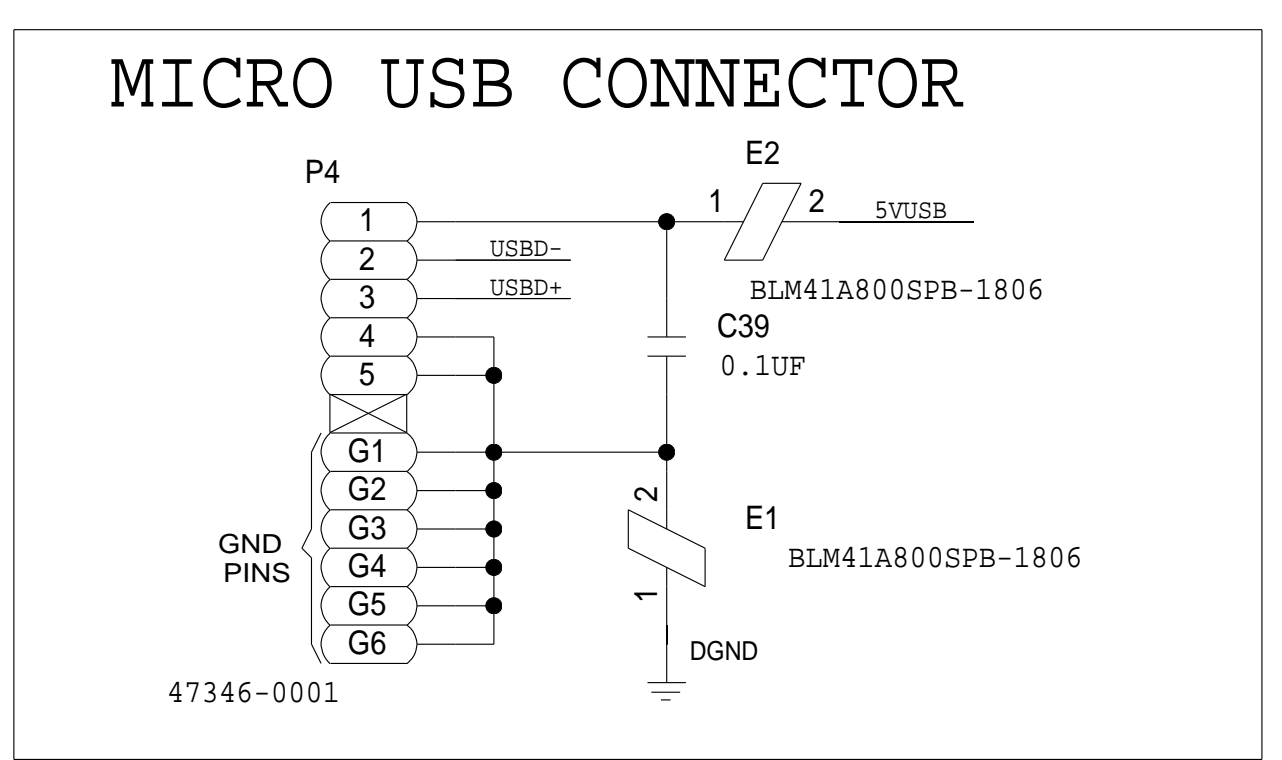
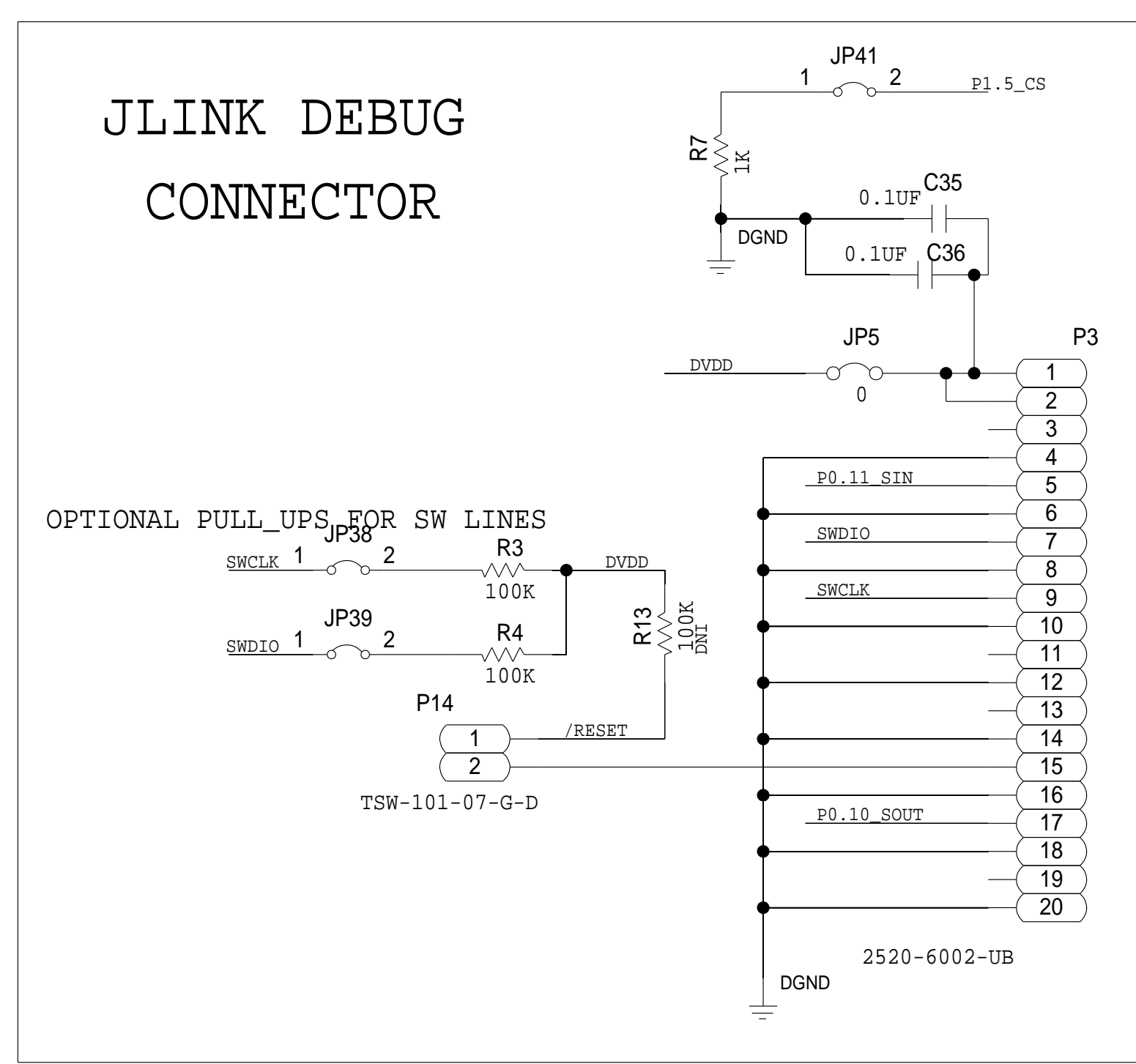


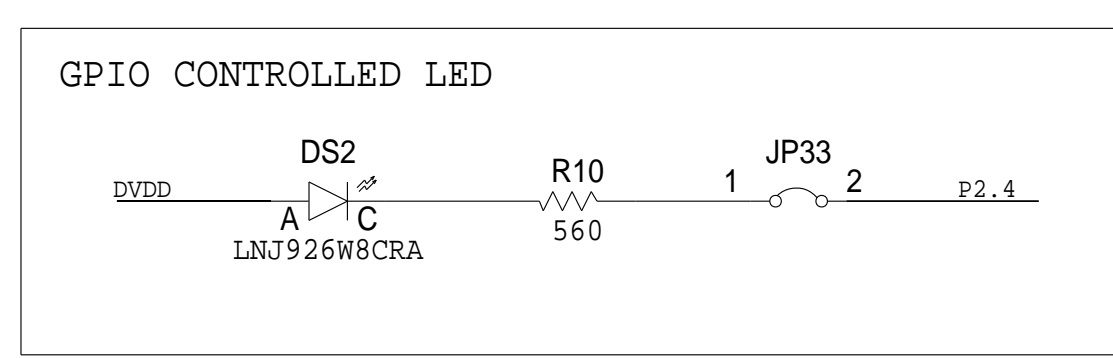
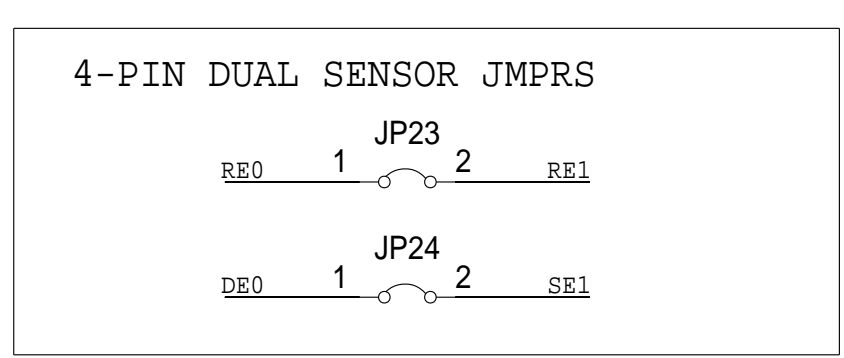
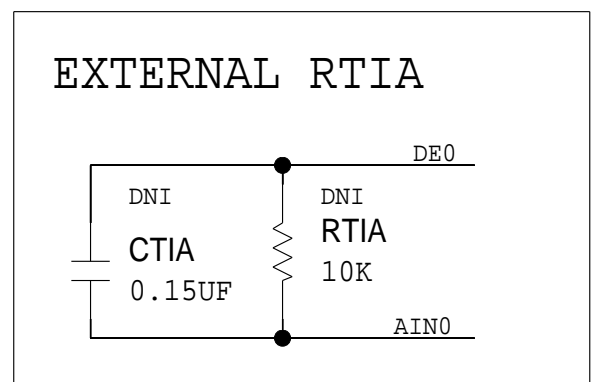
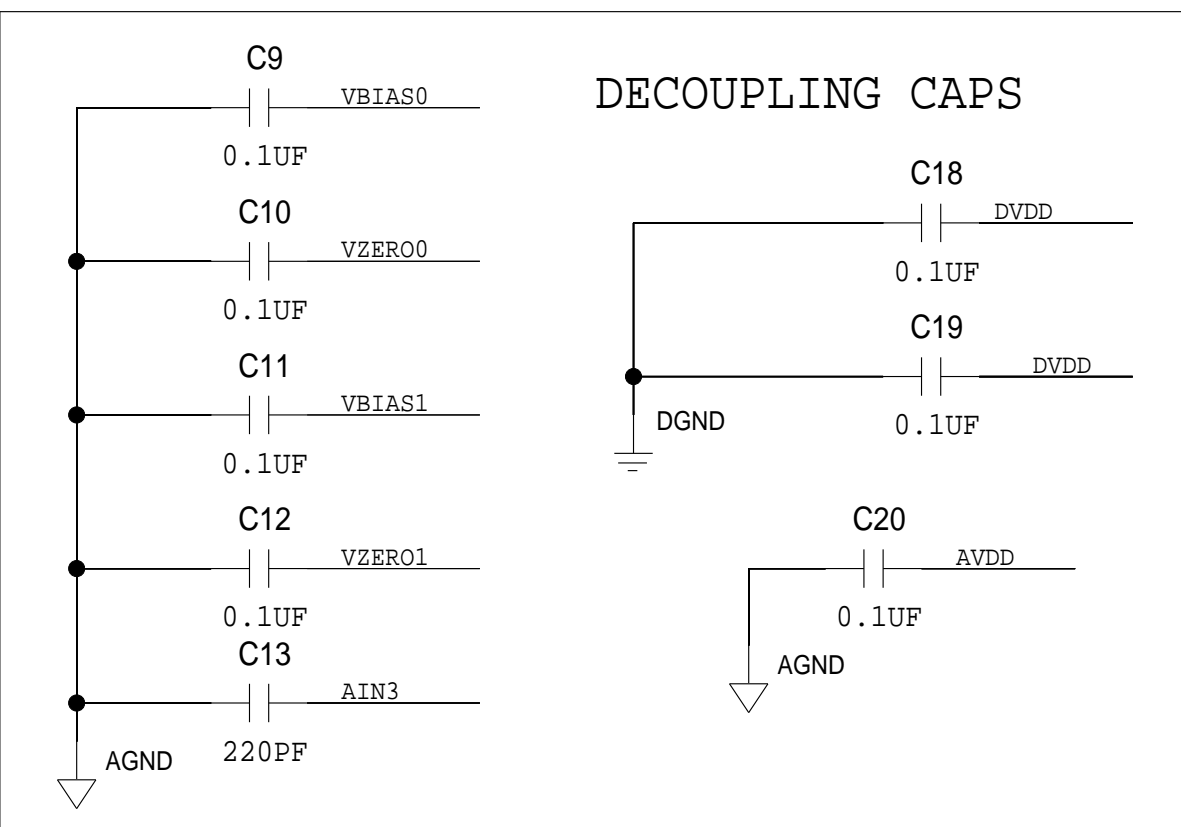
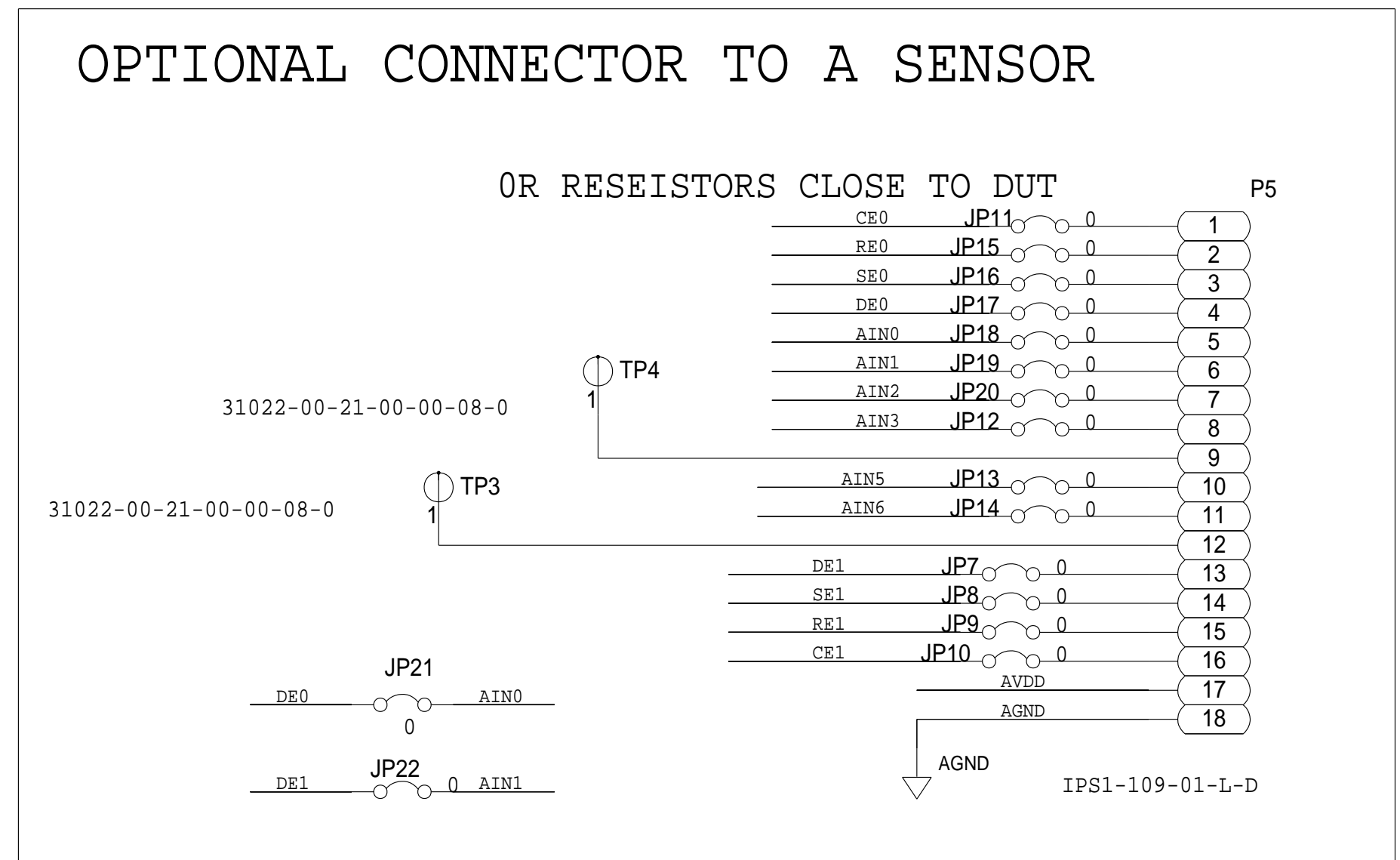
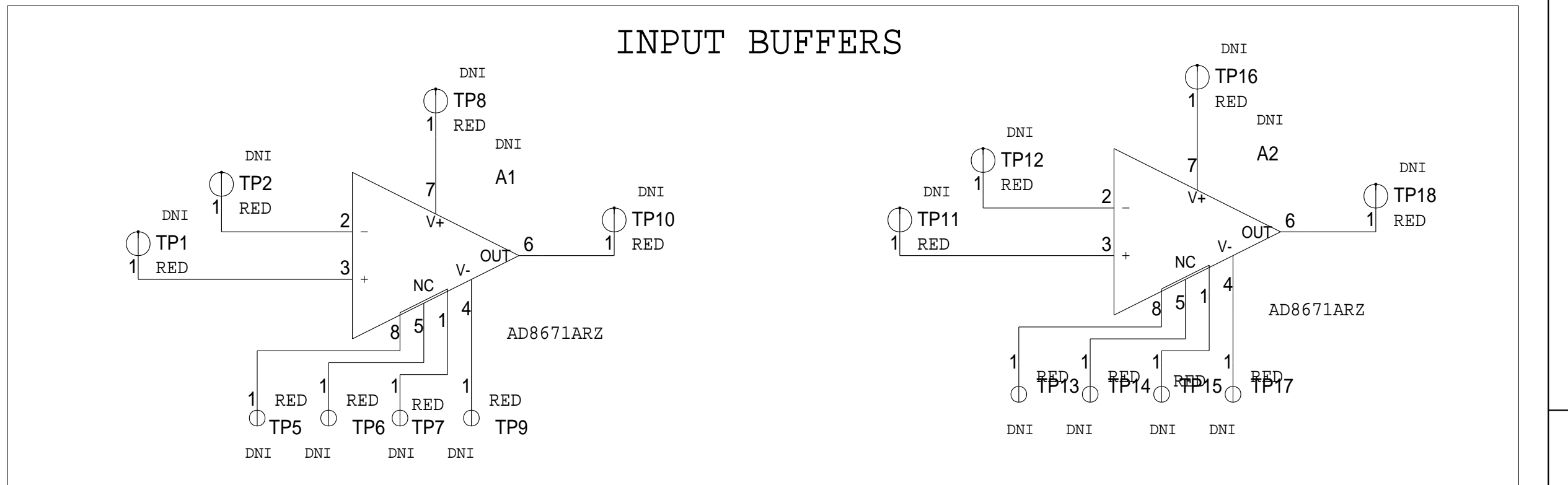
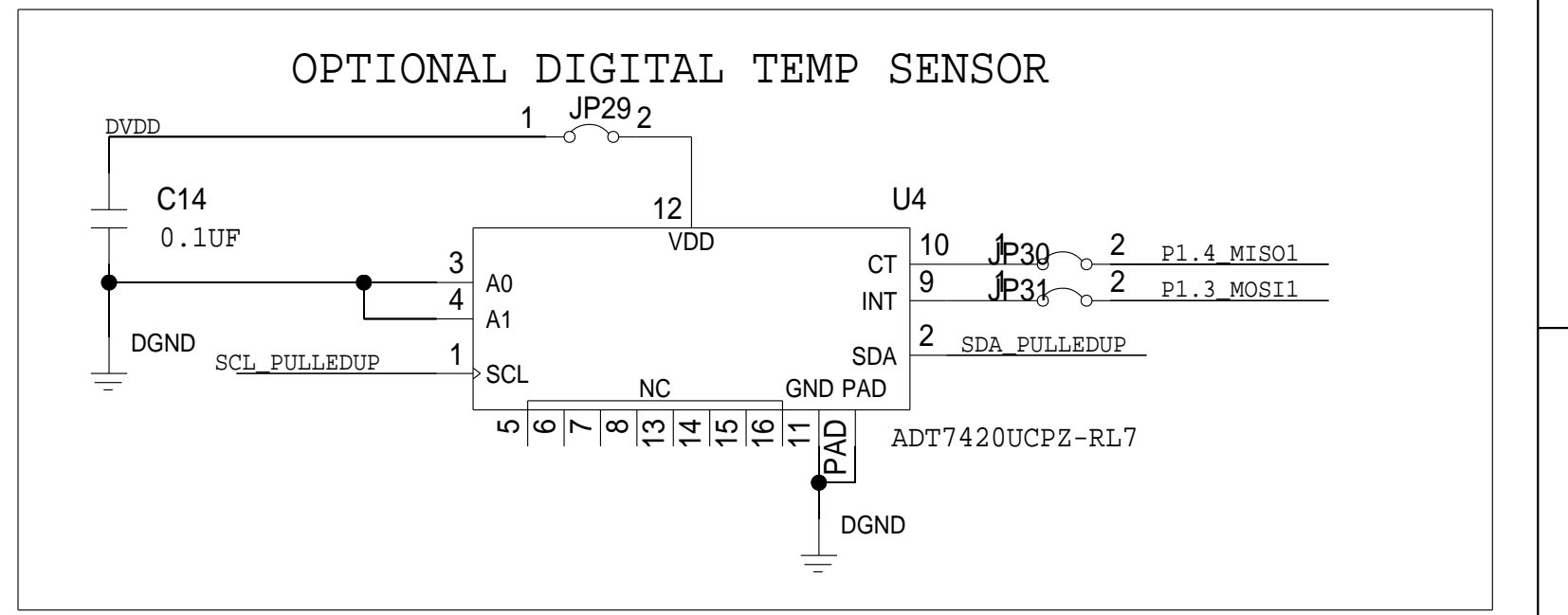
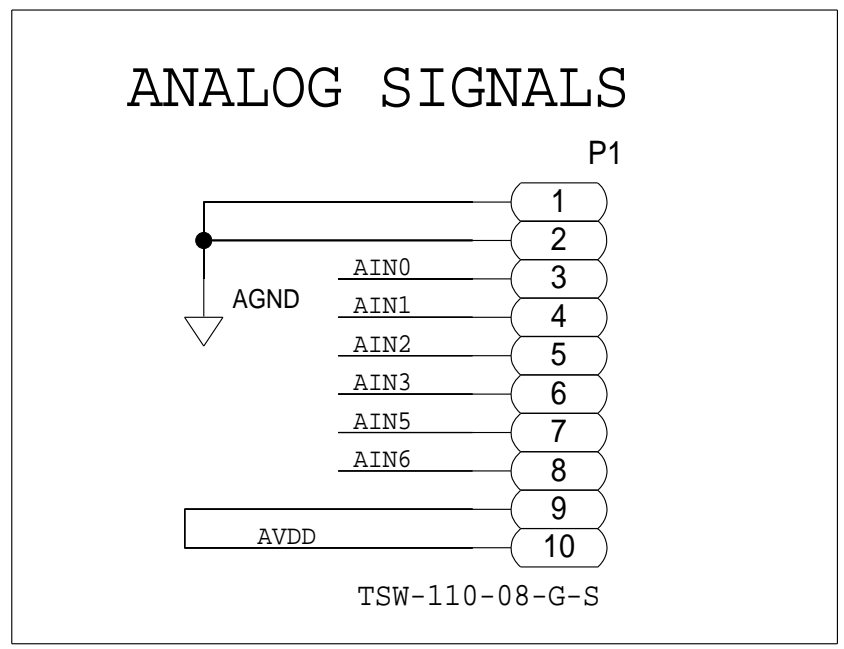
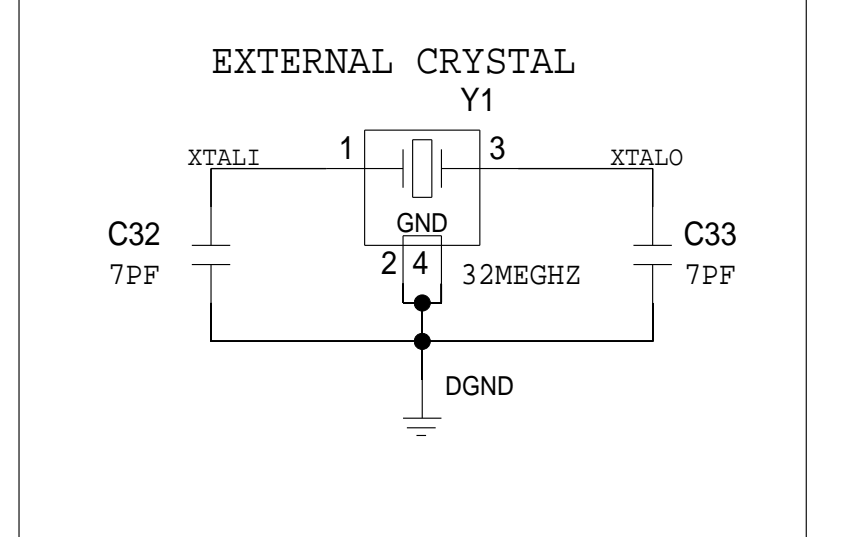
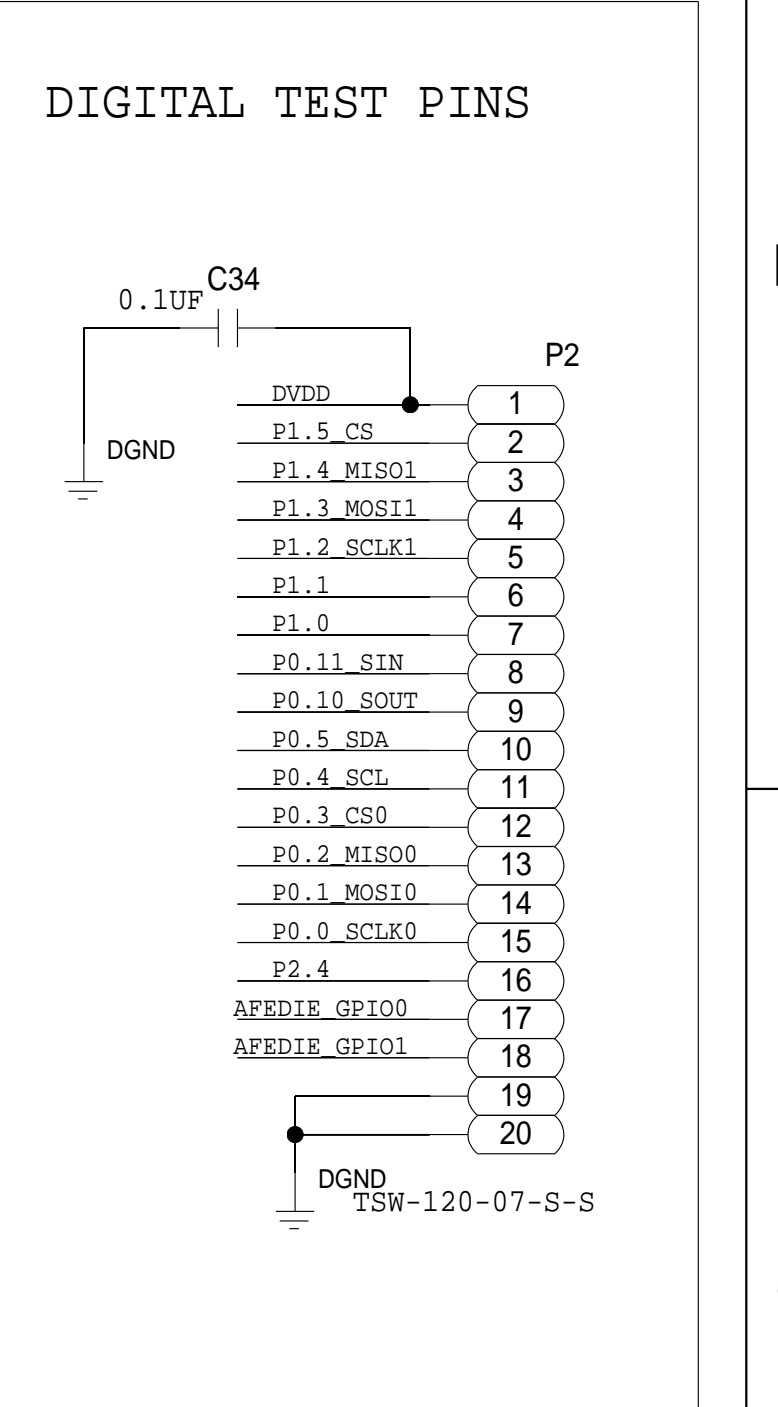
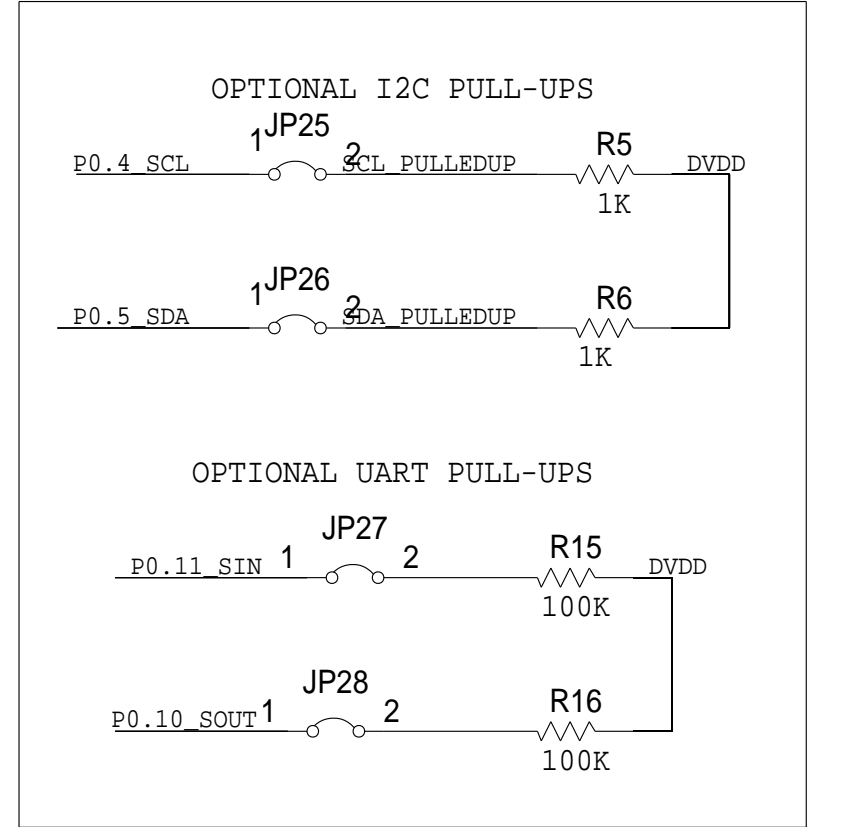
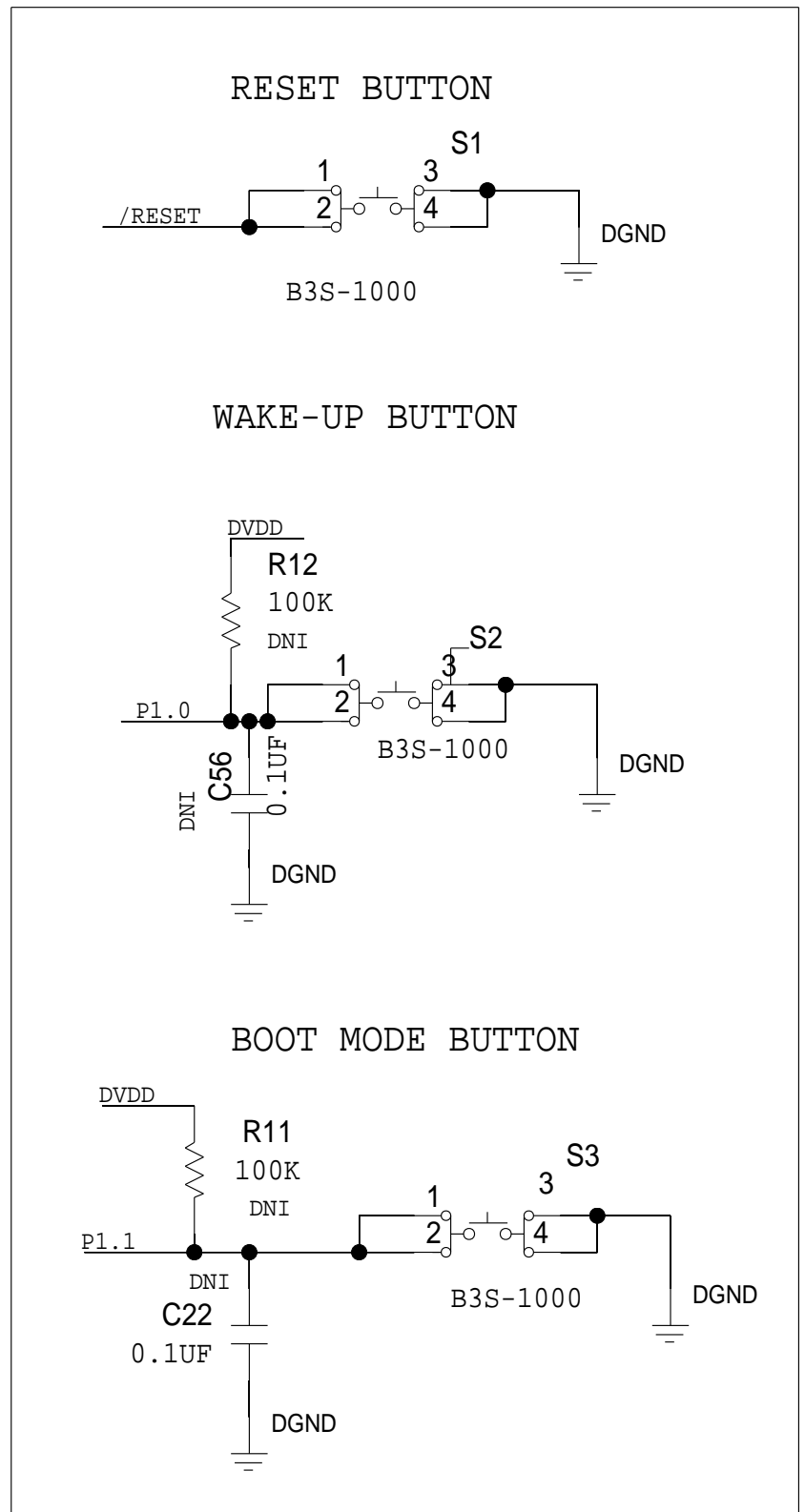
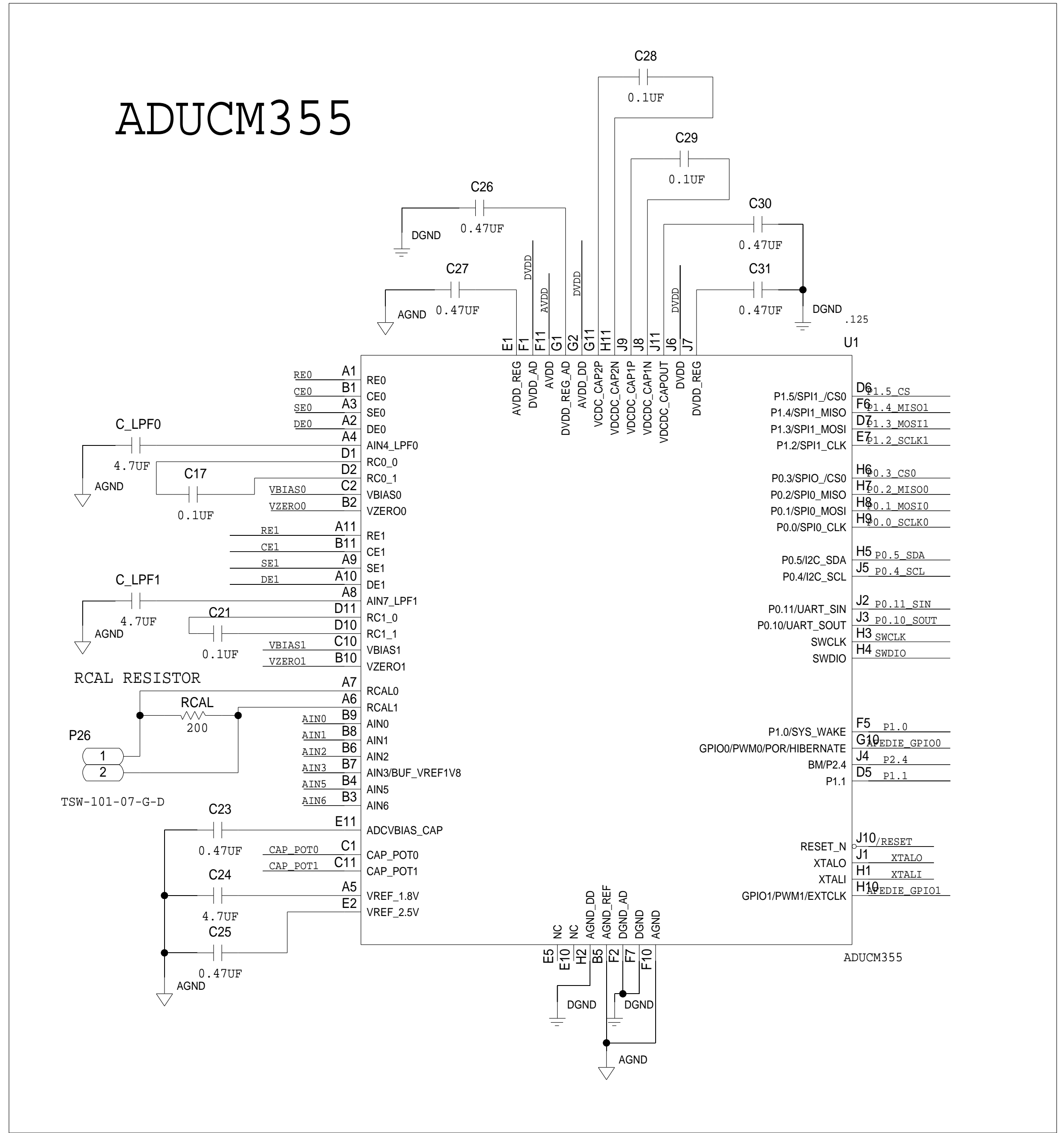
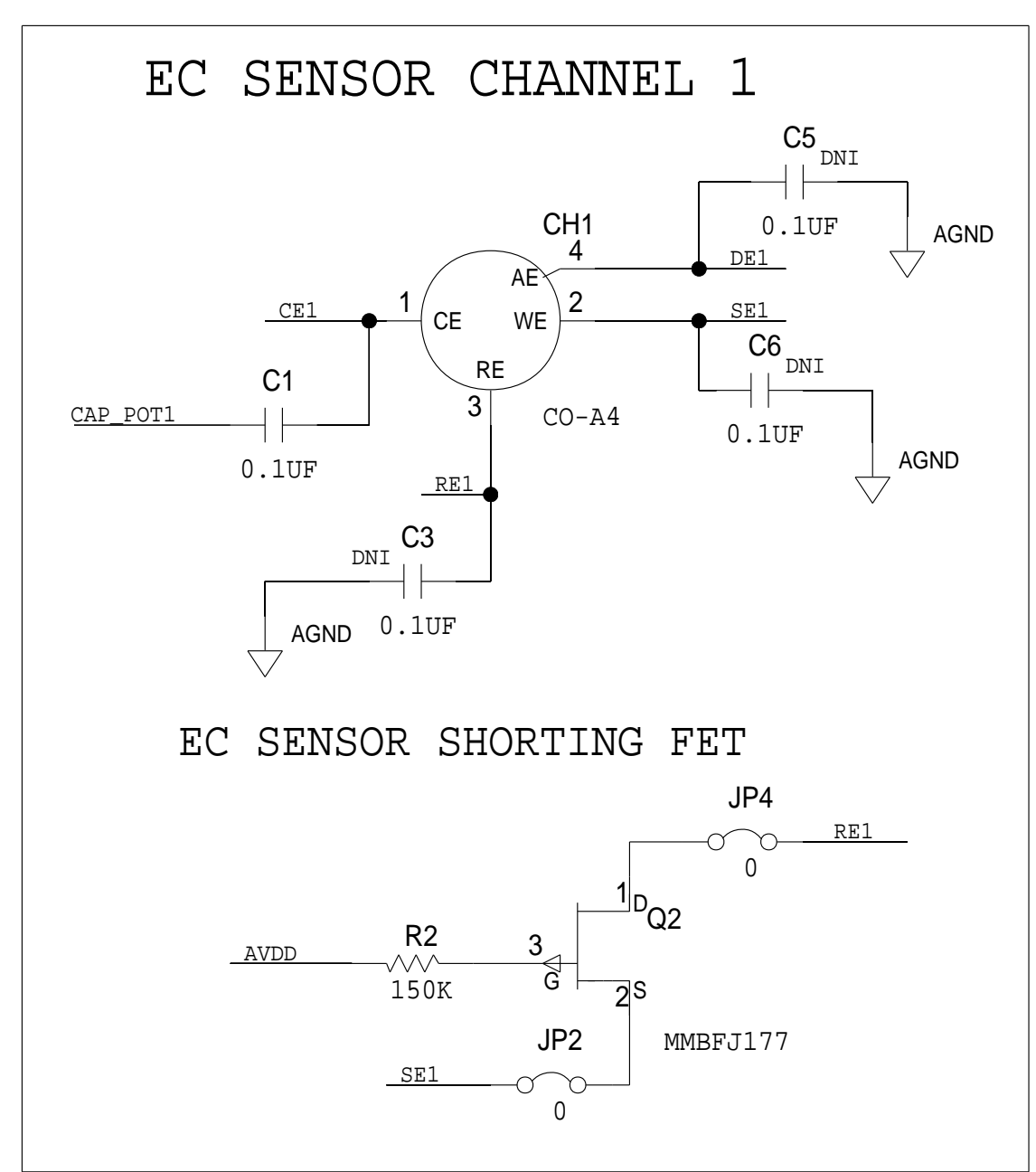
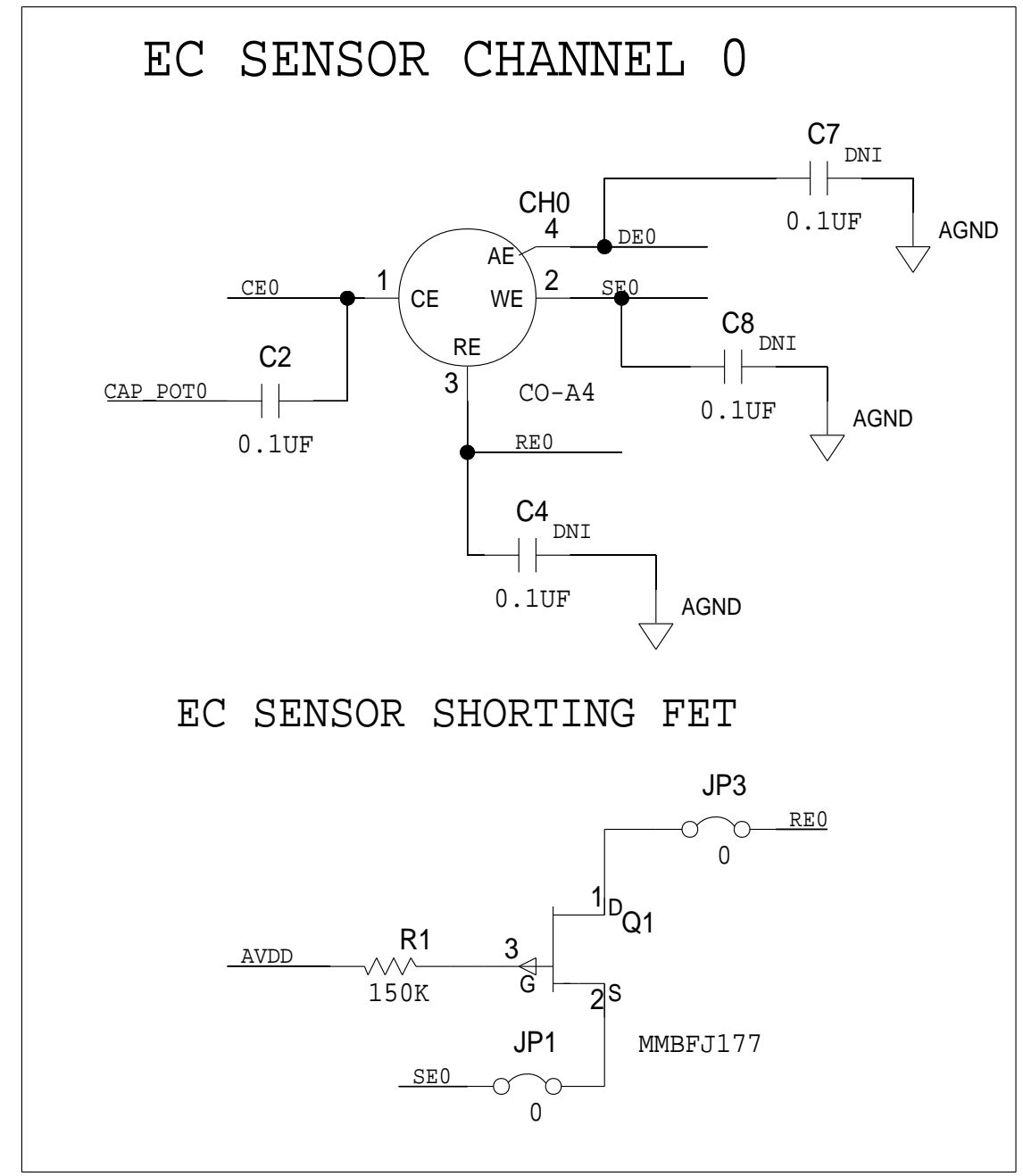
REVISIONS			
REV	DESCRIPTION	DATE	APPROVED



- POWER OPTIONS:
- 1) VIA USB
 - 2) CONNECT 5V TO 2-PIN CONNECTOR
 - 3) CONNECT 3.3V DIRECT TO DVDD OR AVDD
 - 4) 5V USB FROM 8-PIN JTAG CONNECTOR

	SCHEMATIC		
	HW TYPE : Customer Evaluation Product(s) : ADuCM355 : n/a		
	DESIGN VIEW <DESIGN_VIEW>	DRAWING NO. 02_045865	REV B
	PTD ENGINEER <PTD_ENGINEER>	SIZE D	SCALE 1:1
		SHEET 1 OF 2	

REVISIONS			
REV	DESCRIPTION	DATE	APPROVED



	SCHEMATIC		
	HW TYPE : Customer Evaluation Product(s) : ADuCM355 : n/a		
	DESIGN VIEW <DESIGN_VIEW>	DRAWING NO. 02_045865	REV B
	PTD ENGINEER <PTD_ENGINEER>	SIZE D	SCALE 1:1
		SHEET 2 OF 2	