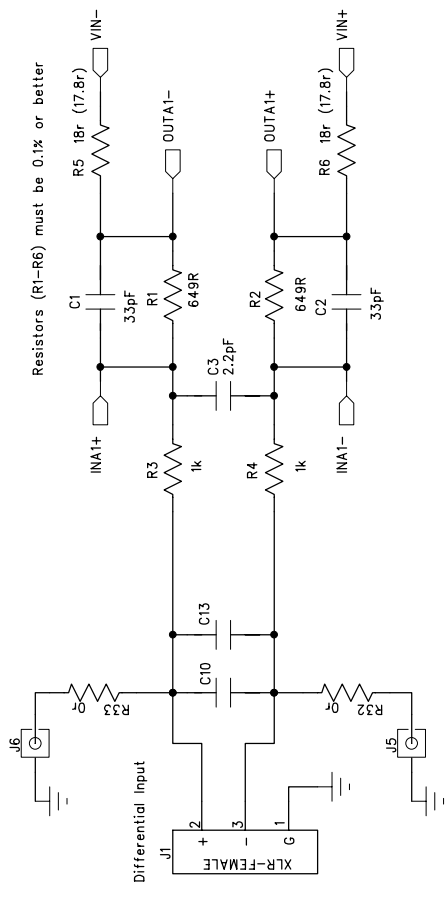
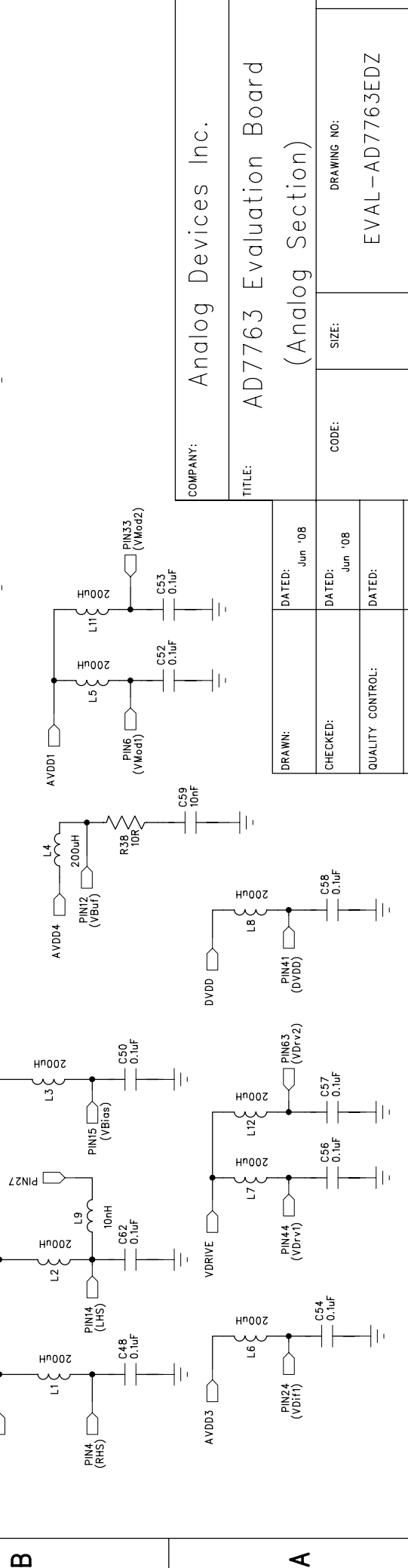
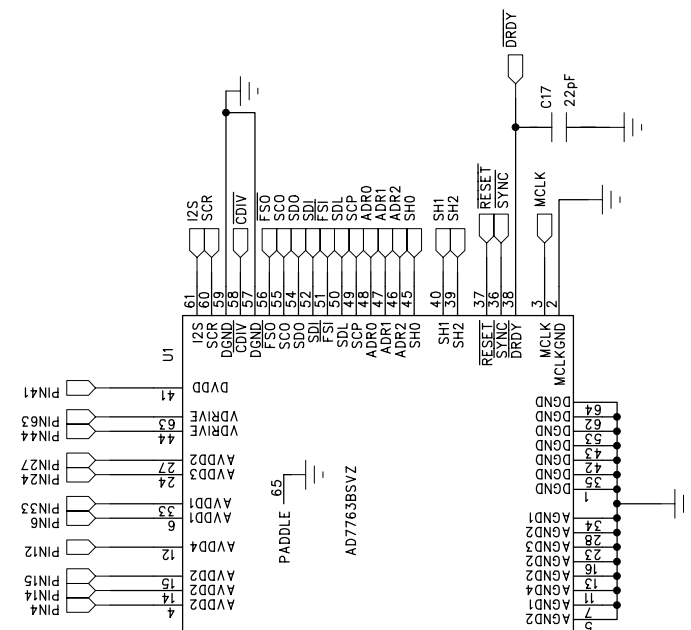
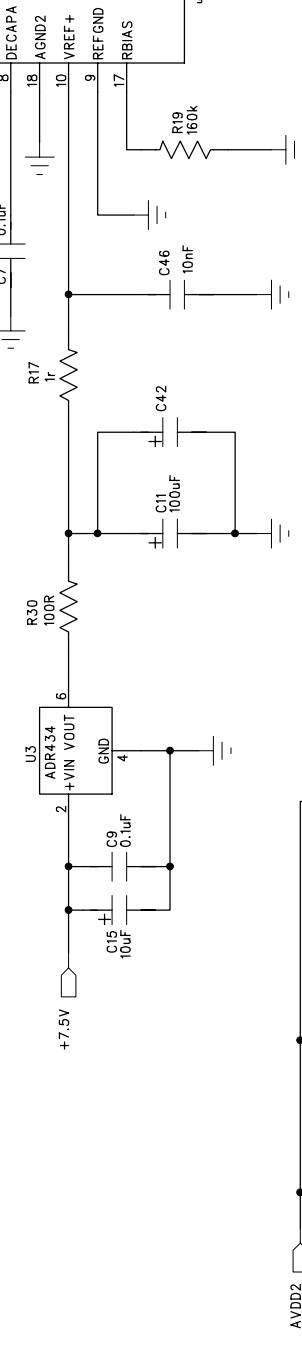


C10 & C13 - Optional Capacitor Locations (Not Populated).



(Do not insert J5, J6, R32, R33)

C42 - PTH option for C11 (not normally stuffed).



COMPANY: Analog Devices Inc.

TITLE: AD7763 Evaluation Board  
(Analog Section)

DRAWN: DATED: Jun '08

CHECKED: DATED: Jun '08

QUALITY CONTROL: DATED:

RELEASED: DATED:

CODE: SIZE: DRAWING NO: EVAL-AD7763EDZ

REV: G

SCALE: SHEET: 1 OF 3

6

5

4

3

2

1

REVISION RECORD		
LTR	ECO NO:	APPROVED:
		DATE:

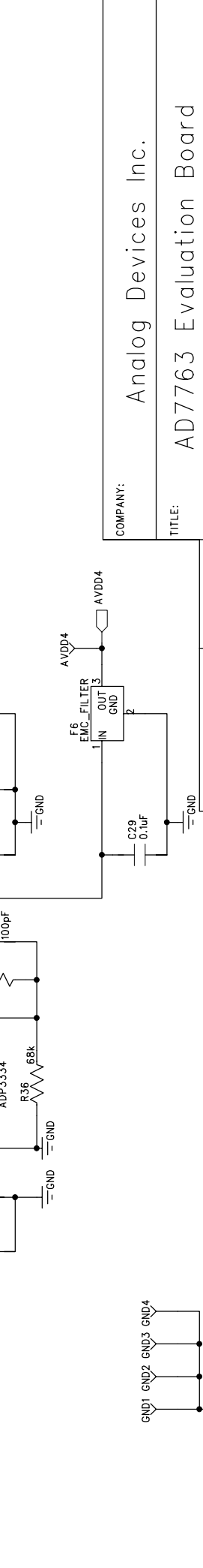
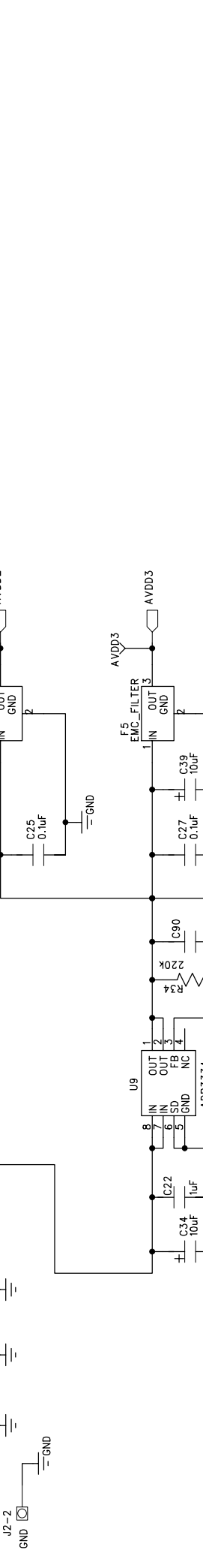
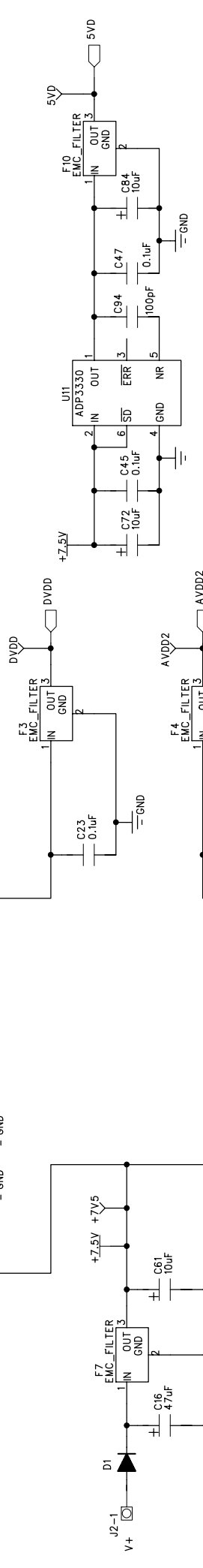
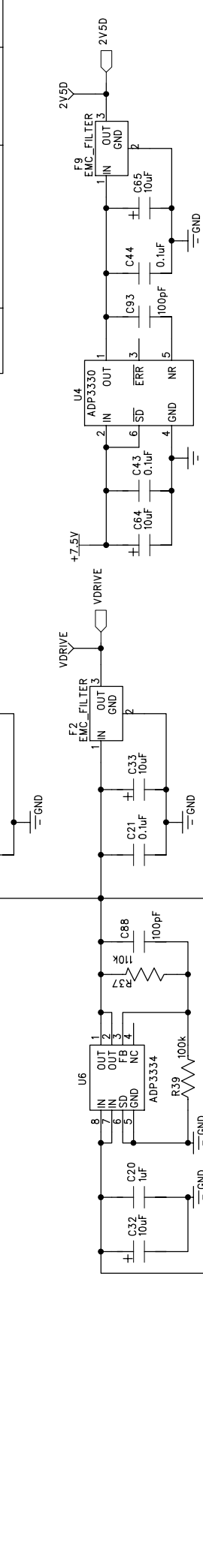


D

C

B

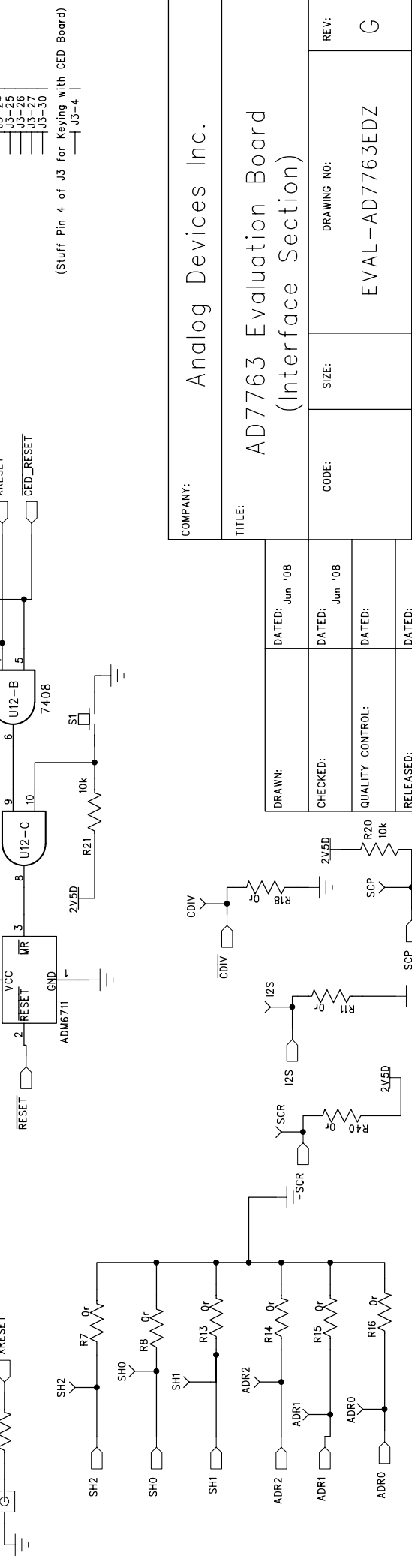
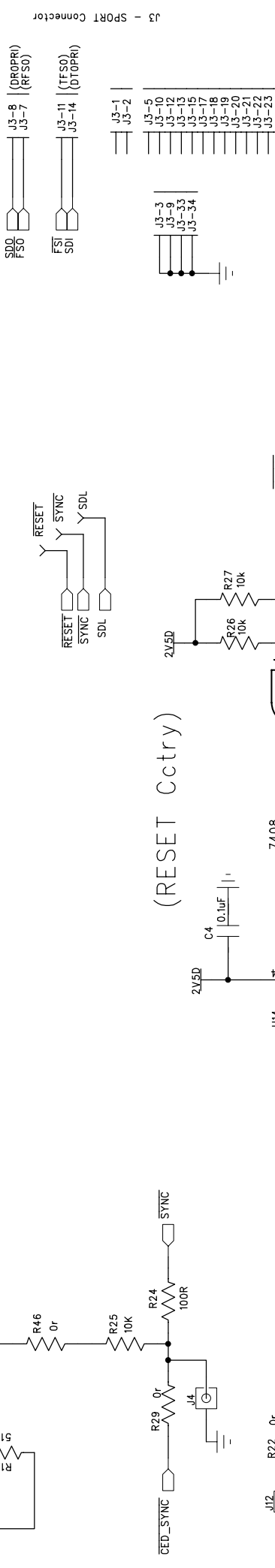
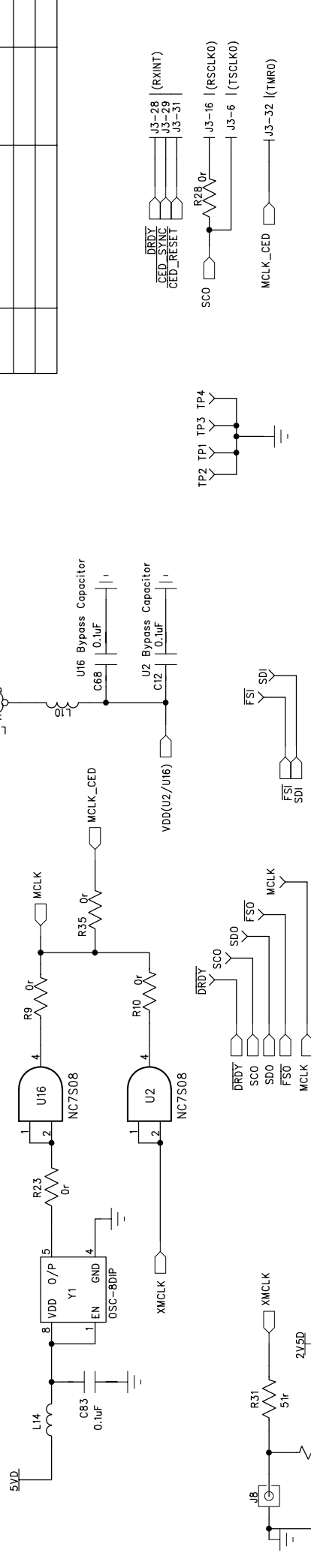
A



COMPANY: Analog Devices Inc.		
TITLE: AD7763 Evaluation Board (Power Supply Section)		
DRAWN:	DATED: Jun '08	REV: G
CHECKED:	DATED: Jun '08	DRAWING NO: EVAL-AD7763EDZ
QUALITY CONTROL:	DATED:	CODE: SIZE: SCALE:
RELEASED:	DATED:	SHEET: 2 OF 3

REVISION RECORD		
LTR	ECO NO:	APPROVED:
		DATE:

### (MCLK Buffering)



J3 - SPORT Connector

(Stuff Pin 4 of J3 for Keying with CED Board)

J3-1 |  
J3-2 |  
J3-3 |  
J3-4 |  
J3-5 |  
J3-6 |  
J3-7 |  
J3-8 |  
J3-9 |  
J3-10 |  
J3-11 |  
J3-12 |  
J3-13 |  
J3-14 |  
J3-15 |  
J3-16 |  
J3-17 |  
J3-18 |  
J3-19 |  
J3-20 |  
J3-21 |  
J3-22 |  
J3-23 |  
J3-24 |  
J3-25 |  
J3-26 |  
J3-27 |  
J3-28 |  
J3-29 |  
J3-30 |  
J3-31 |  
J3-32 |  
J3-33 |  
J3-34 |

COMPANY:		Analog Devices Inc.	
TITLE:		AD7763 Evaluation Board (Interface Section)	
DRAWN:	DATED:	DRAWING NO:	REV:
CHECKED:	DATED:	CODE:	G
QUALITY CONTROL:	DATED:	SIZE:	EVAL-AD7763EDZ
RELEASED:	DATED:	SHEET:	3 OF 3

DRAWN:	DATED:
CHECKED:	DATED:
QUALITY CONTROL:	DATED:
RELEASED:	DATED:

