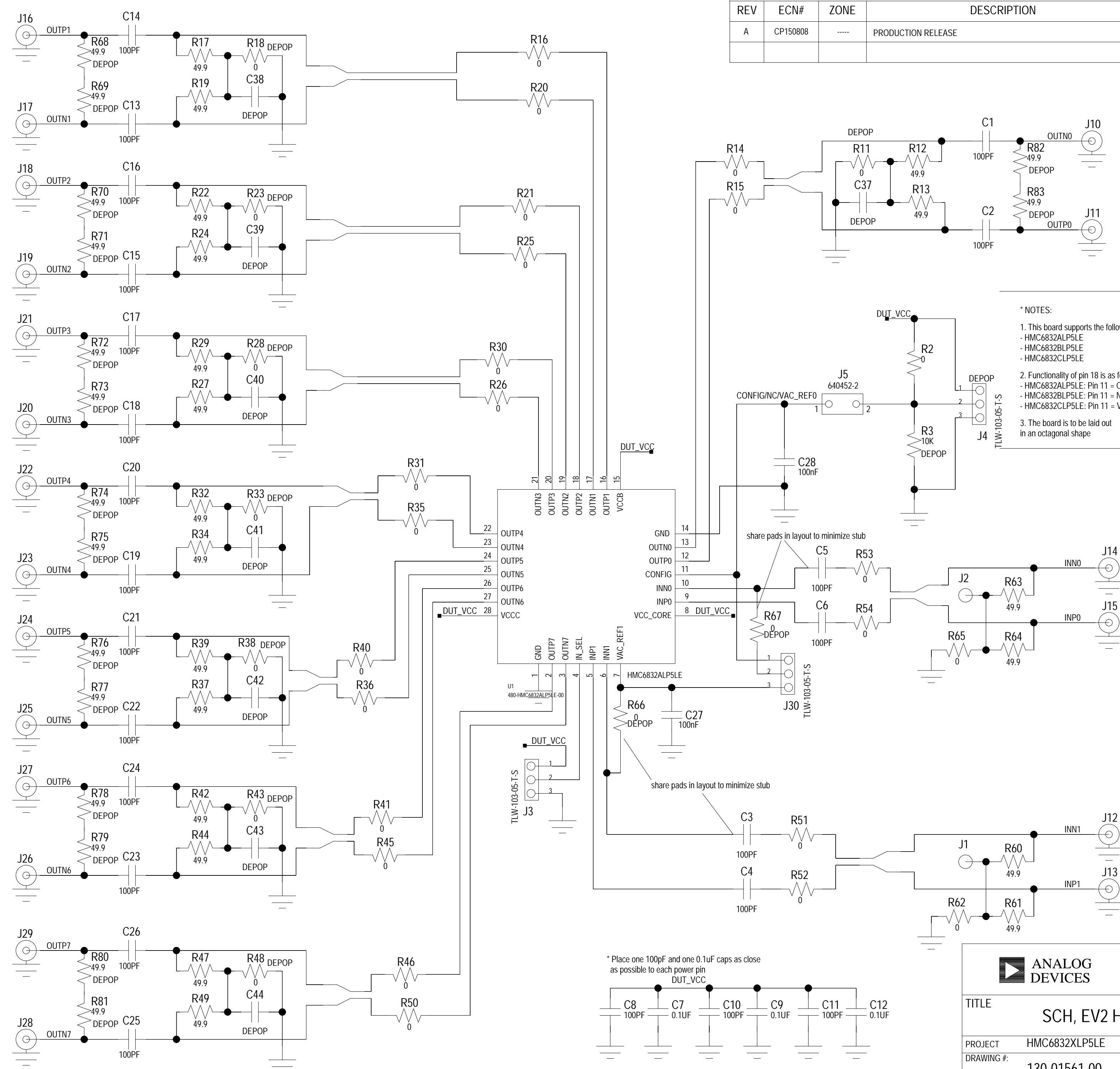
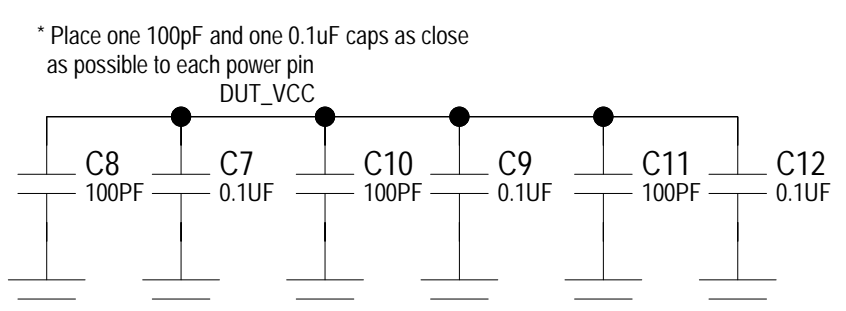


NOTICE OF PROPRIETARY PROPERTY: THIS DOCUMENT AND THE INFORMATION CONTAINED IN IT ARE THE PROPRIETARY PROPERTY OF ANALOG DEVICES. IT MAY NOT BE COPIED OR USED IN ANY MANNER NOR MAY ANY OF THE INFORMATION IN OR UPON IT BE USED FOR ANY PURPOSE WITHOUT THE EXPRESSED WRITTEN CONSENT OF AN AUTHORIZED AGENT OF ANALOG DEVICES.

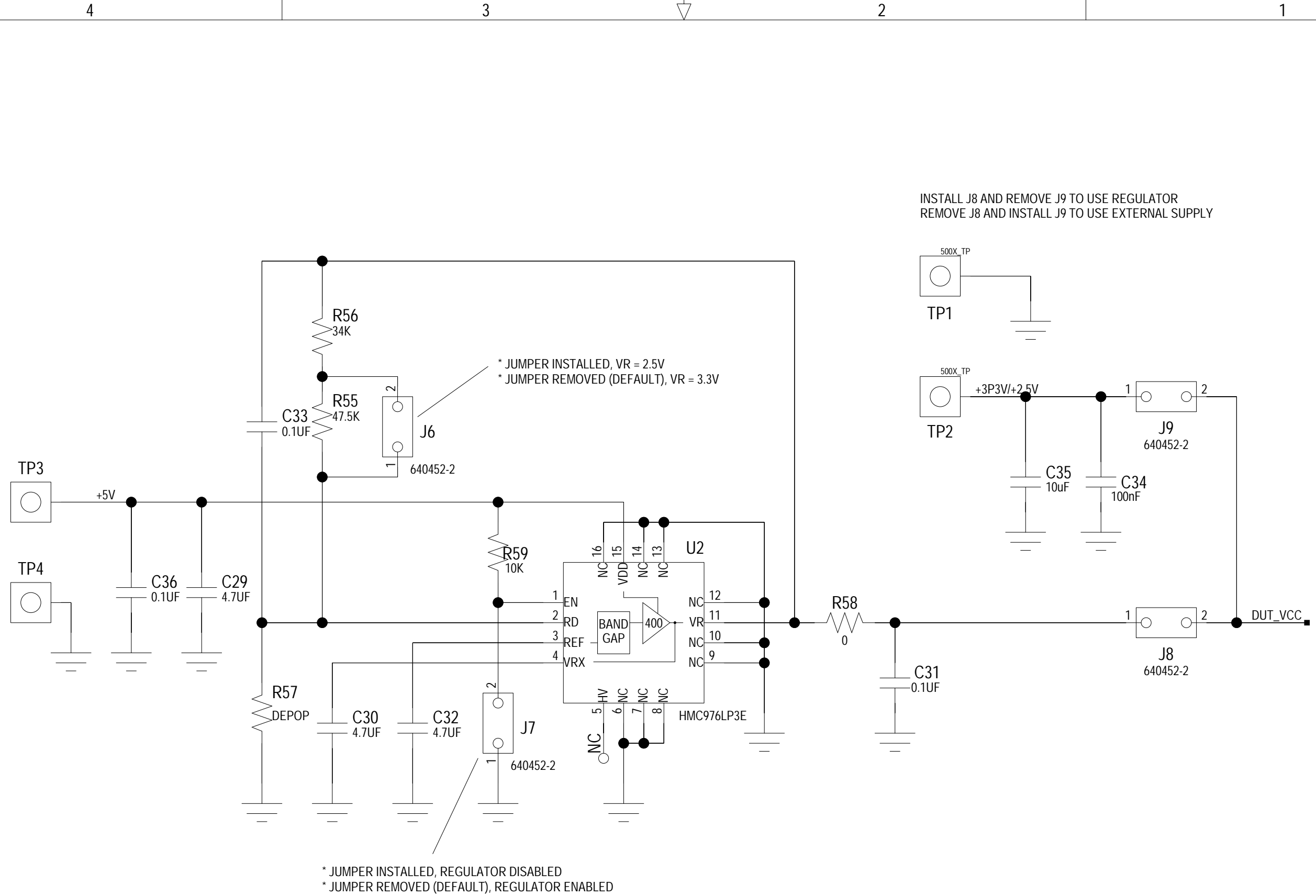
REVISIONS					
REV	ECN#	ZONE	DESCRIPTION	NAME	DATE
A	CP150808	----	PRODUCTION RELEASE	BILL LAHEY/M.LYONS	07/16/2015



- \* NOTES:
- This board supports the following parts:
    - HMC6832ALP5LE
    - HMC6832BLP5LE
    - HMC6832CLP5LE
  - Functionality of pin 18 is as follows:
    - HMC6832ALP5LE: Pin 11 = CONFIG
    - HMC6832BLP5LE: Pin 11 = N/C
    - HMC6832CLP5LE: Pin 11 = VAC\_REF0
  - The board is to be laid out in an octagonal shape



		2 Elizabeth Drive Chelmsford, MA 01824	
TITLE: SCH, EV2 HMC6832XLP5LE			
PROJECT: HMC6832XLP5LE			
DRAWING #: 130-01561-00		SHEET 1 OF 2	
DRAWN BY: ADAN LOPEZ-MARTINEZ		DATE: 11/28/2012	
CODE ID NO.: 1CN88		SIZE: C	
REV: A		REV: A	



		2 Elizabeth Drive Chelmsford, MA 01824	
TITLE: SCH, EV2 HMC6832XLP5LE			
PROJECT: HMC6832XLP5LE			
DRAWING #: 130-01561-00		SHEET 2 OF 2	
DRAWN BY: ADAN LOPEZ-MARTINEZ		DATE: 11/28/2012	
CODE ID NO.: 1CN88		SIZE: B	REV: A