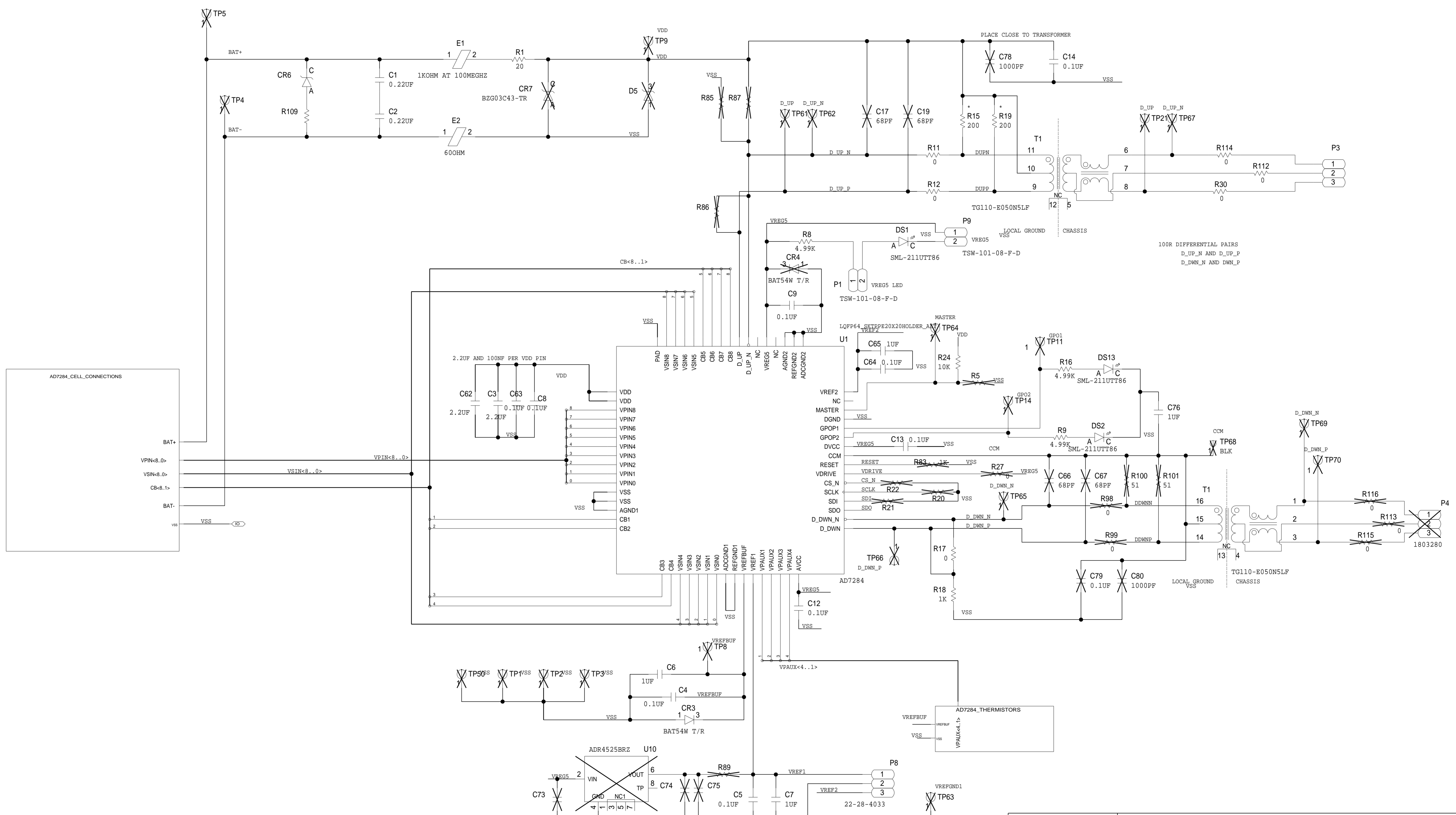


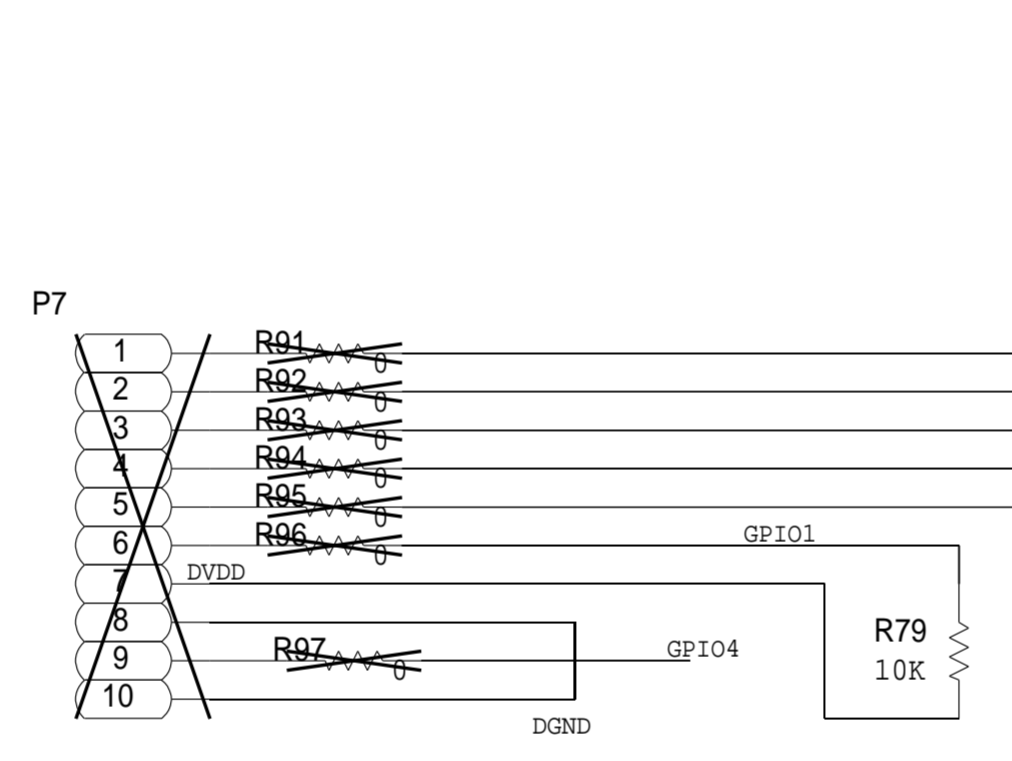
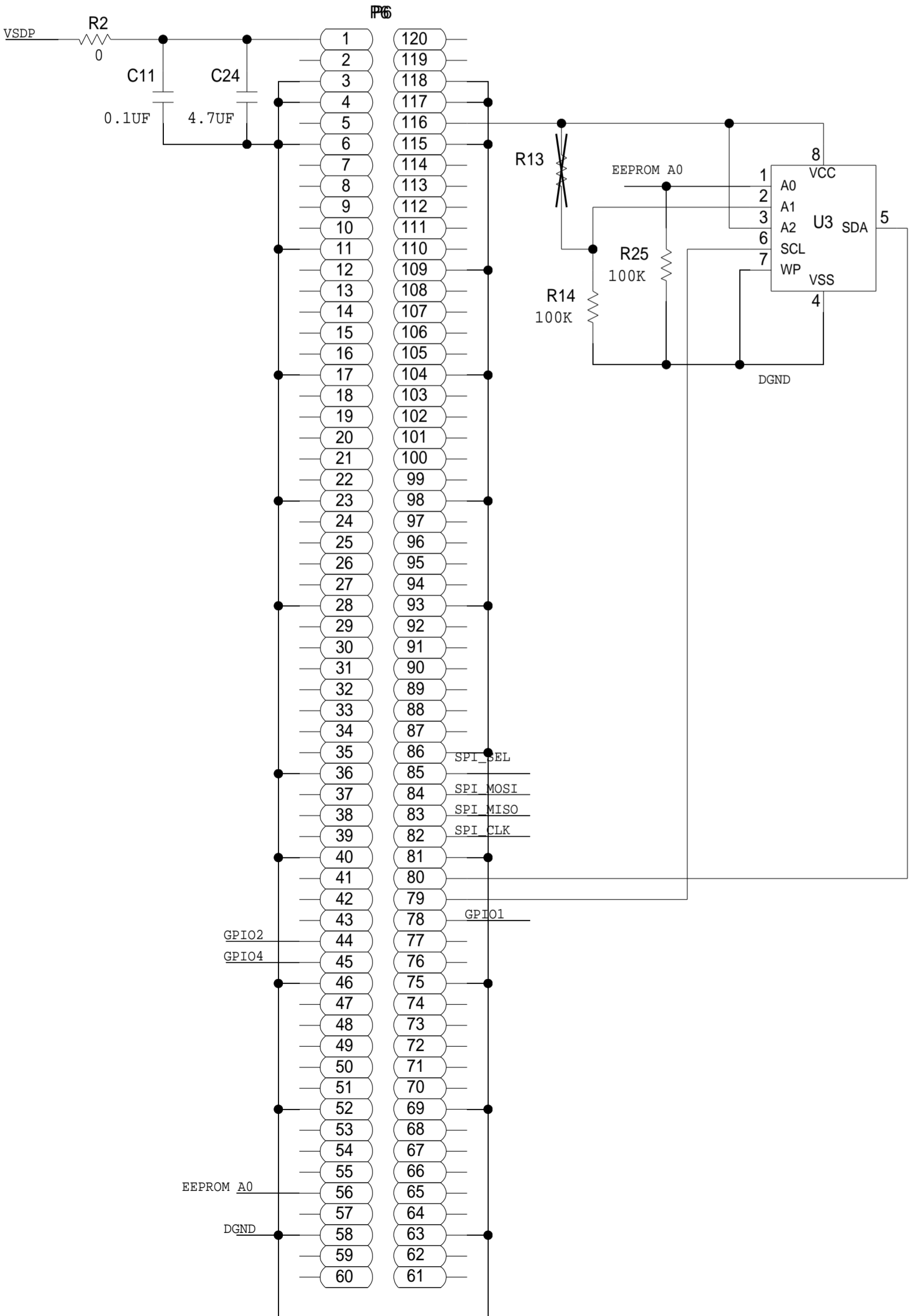
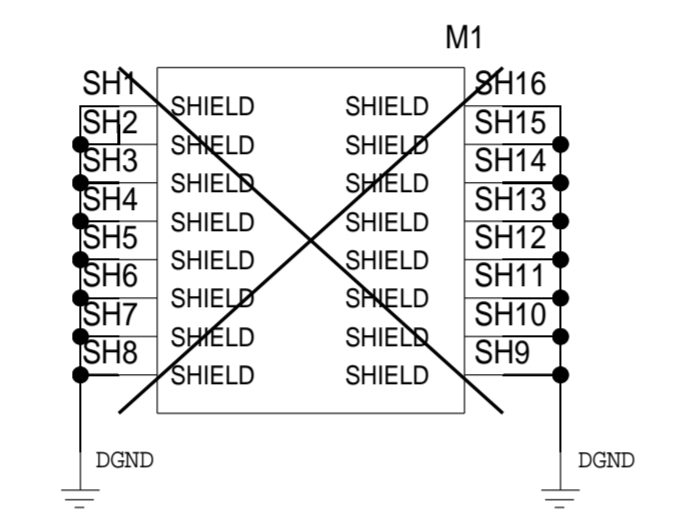
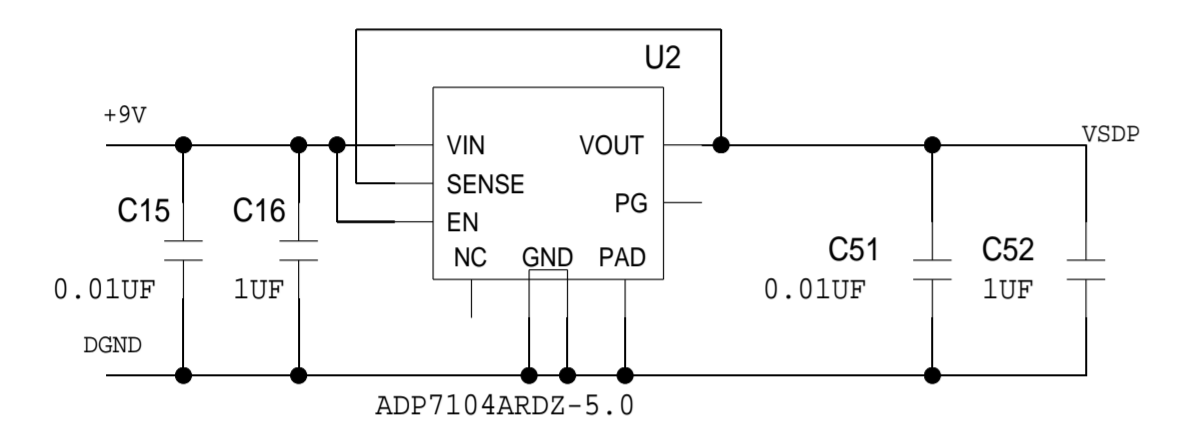
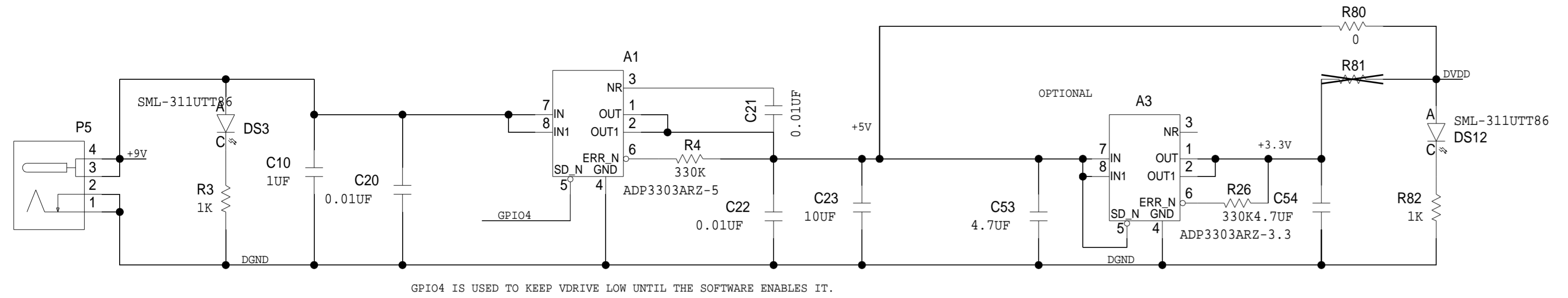
REVISIONS			
REV	DESCRIPTION	DATE	APPROVED
C	ADDITIONAL JUMPERS ON CELL INPUTS	6/2/17	SAB



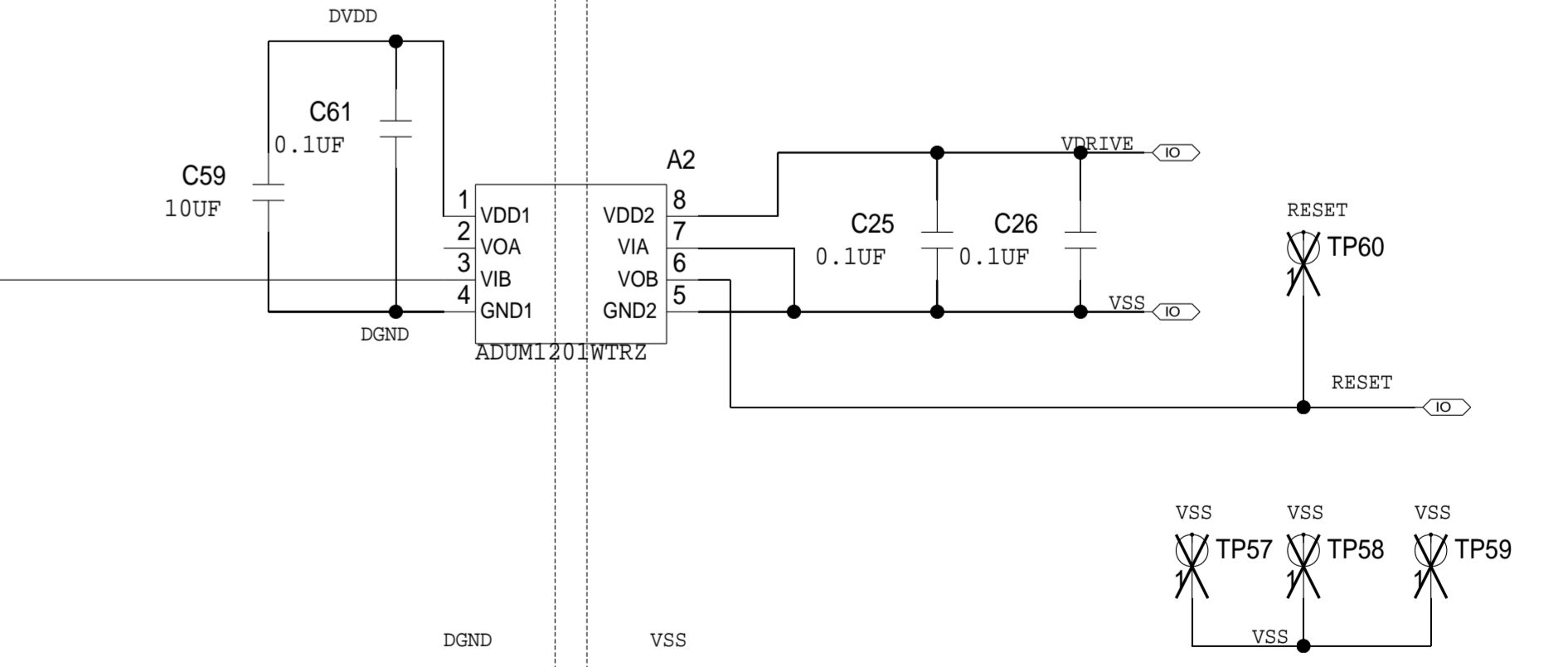
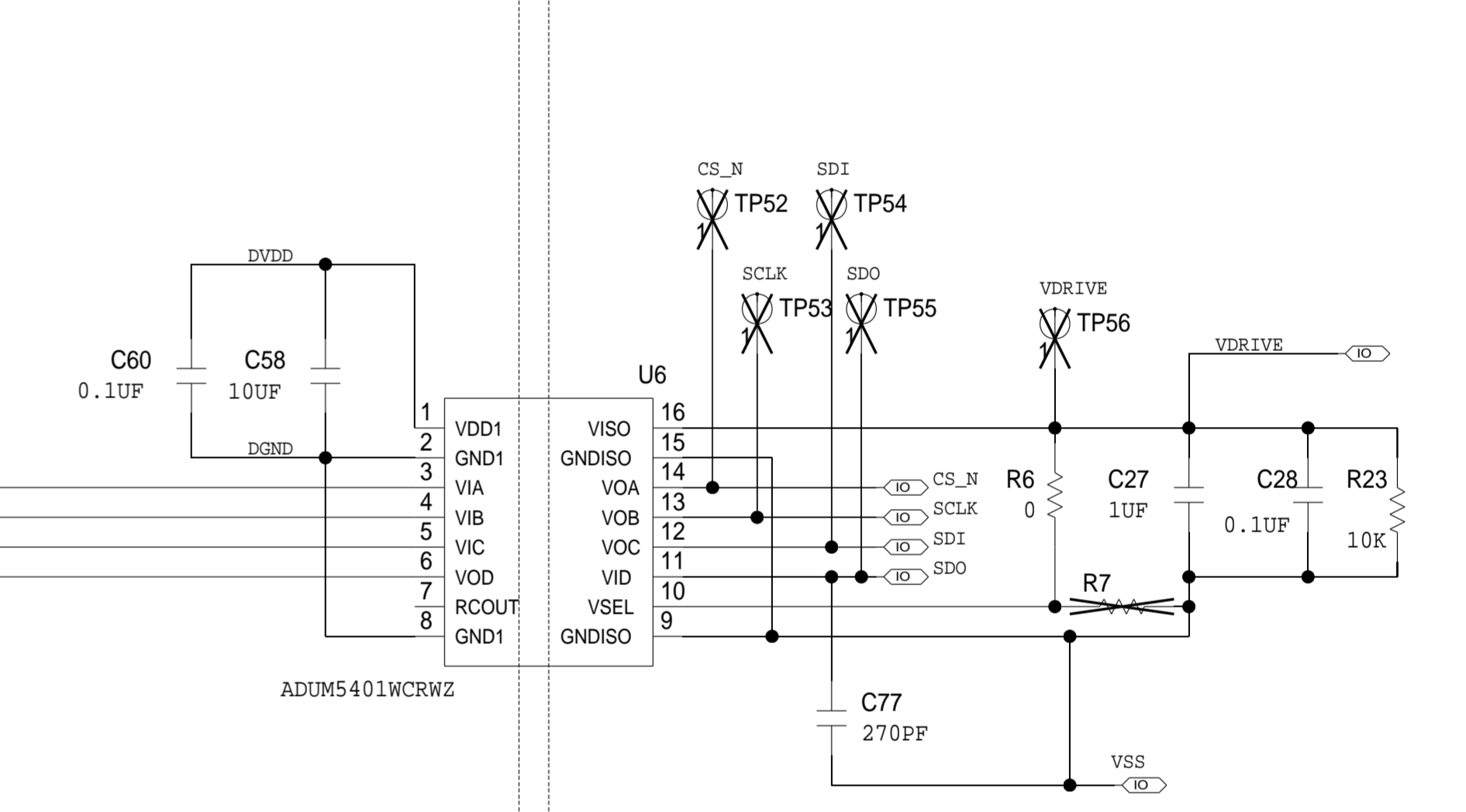
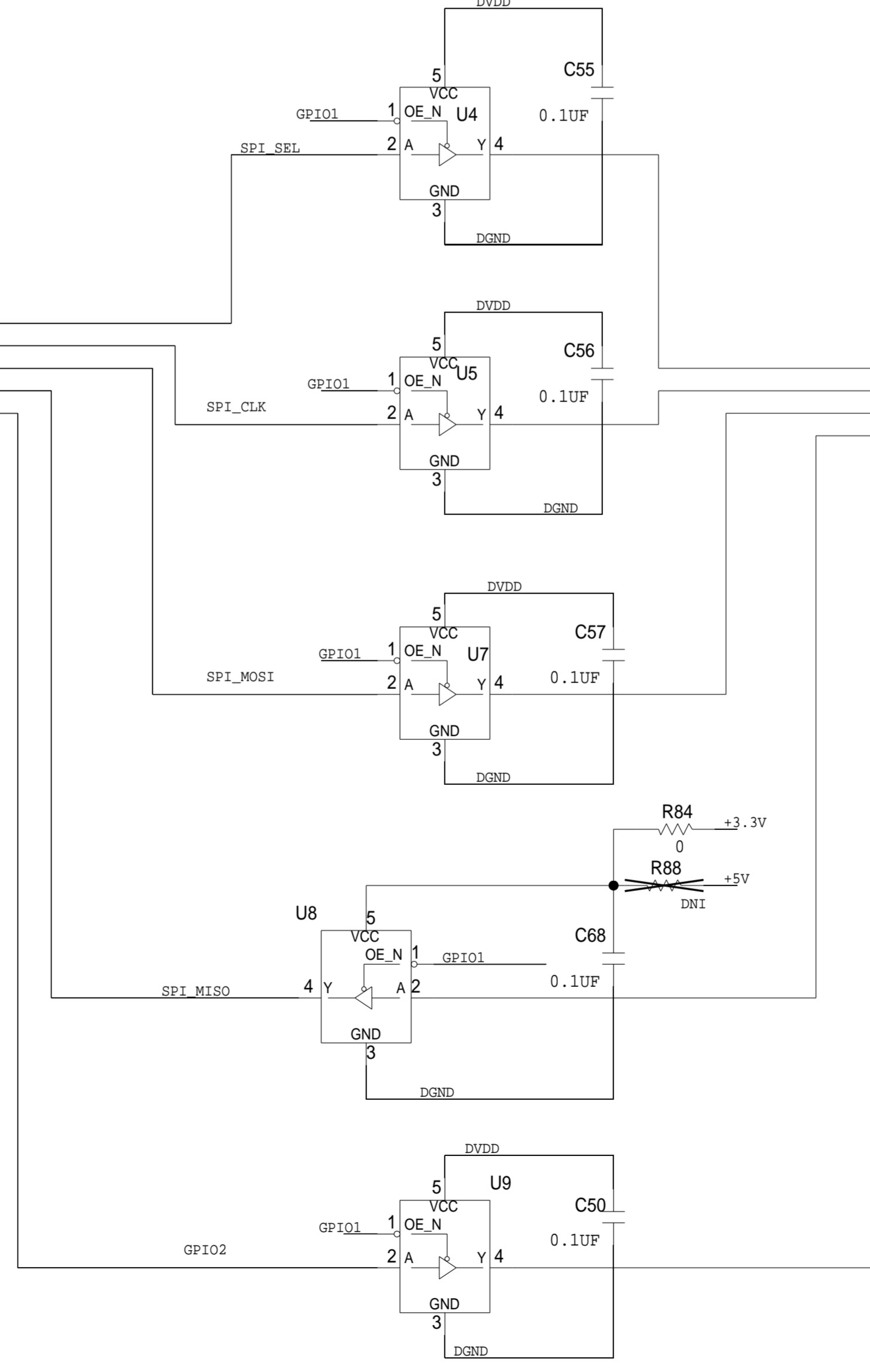
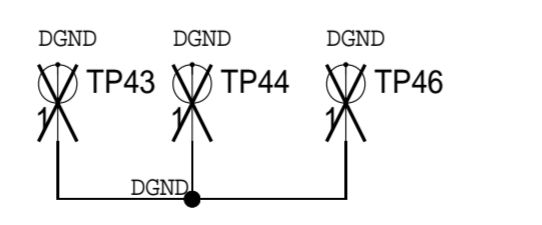
SCHEMATIC			
ANALOG DEVICES		Transformer Isolated Config. AD7284	
DESIGN VIEW	-	DRAWING NO.	REV
PTD ENGINEER	S. Bradshaw	SCALE	NTS
SIZE	D	SHEET	1 OF 4

THIS DRAWING IS THE PROPERTY OF ANALOG DEVICES INC. IT IS NOT TO BE REPRODUCED OR COPIED IN WHOLE OR IN PART, OR USED IN FURNISHING INFORMATION TO OTHERS, OR FOR ANY OTHER PURPOSE DECIMANTAL TO THE INTERESTS OF ANALOG DEVICES. THE EQUIPMENT SHOWN HEREON MAY BE PROTECTED BY PATENTS OWNED OR CONTROLLED BY ANALOG DEVICES.

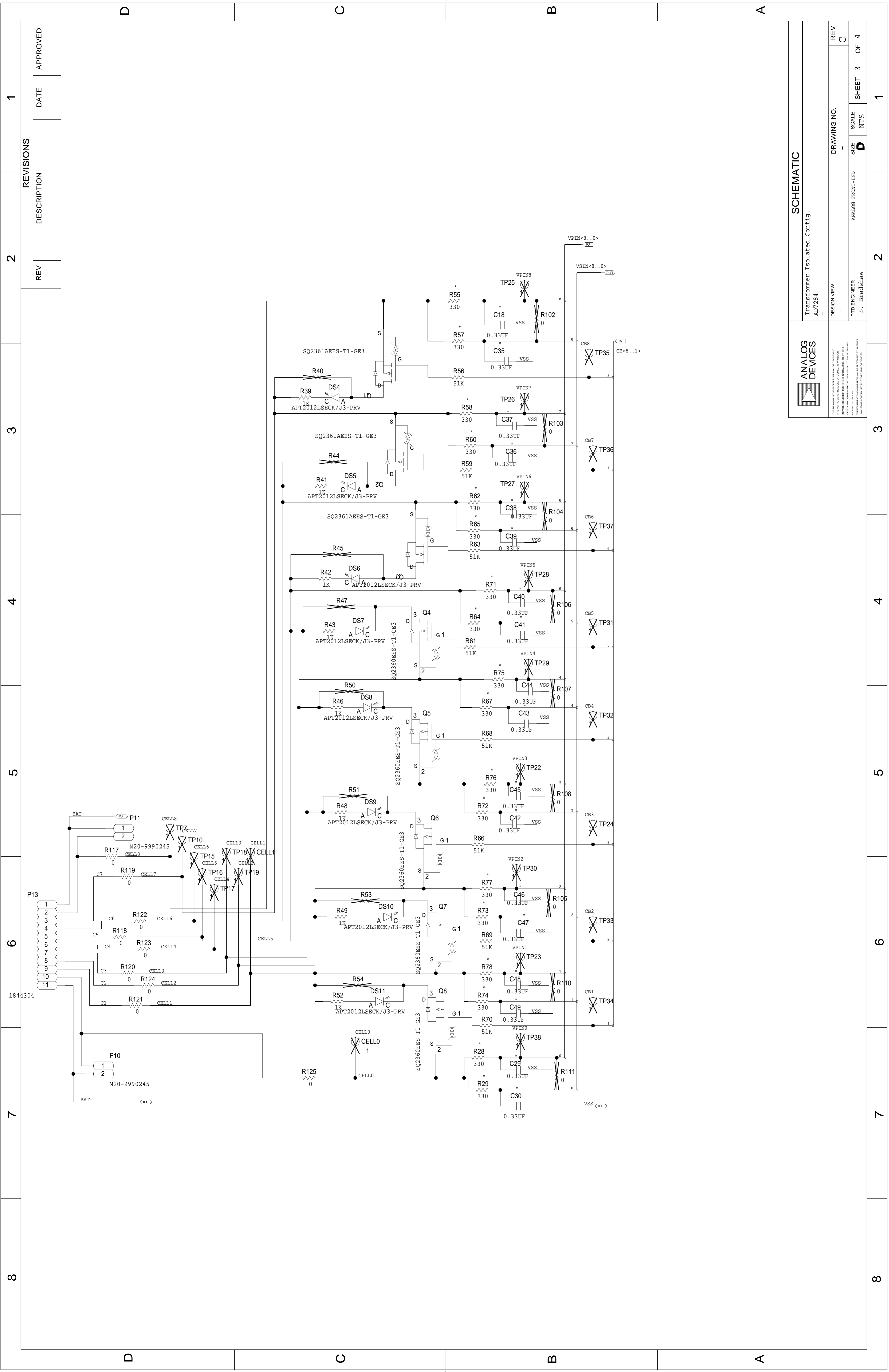
REVISIONS			
REV	DESCRIPTION	DATE	APPROVED



GPIO1 ENABLES LEVEL SHIFTERS
 GPIO2 CONTROLS RESET
 GPIO4 CONTROLS VDRIVE



SCHEMATIC			
ANALOG DEVICES		Transformer Isolated Config. AD7284	
DESIGN VIEW	-	DRAWING NO.	REV
PTD ENGINEER	S. Bradshaw	SCALE	SHEET 2 OF 4



REV	DESCRIPTION	DATE	APPROVED
1			

SCHEMATIC

Transformer Isolated Config.
AD7284



THIS DRAWING IS THE PROPERTY OF ANALOG DEVICES INC. IT IS TO BE USED ONLY FOR THE SPECIFIC PROJECT AND FOR THE PARTS LISTED THEREIN. IT IS NOT TO BE REPRODUCED, COPIED, OR TRANSMITTED IN ANY FORM OR BY ANY MEANS, ELECTRONIC OR MECHANICAL, INCLUDING PHOTOCOPYING, RECORDING, OR BY ANY INFORMATION STORAGE AND RETRIEVAL SYSTEM. ANALOG DEVICES AND THE ANALOG DEVICES LOGO ARE TRADEMARKS OF ANALOG DEVICES INC. © 2008 ANALOG DEVICES INC.

DESIGN VIEW
PTD ENGINEER
S. Bradshaw

ANALOG FRONT-END
SCALE
NTS

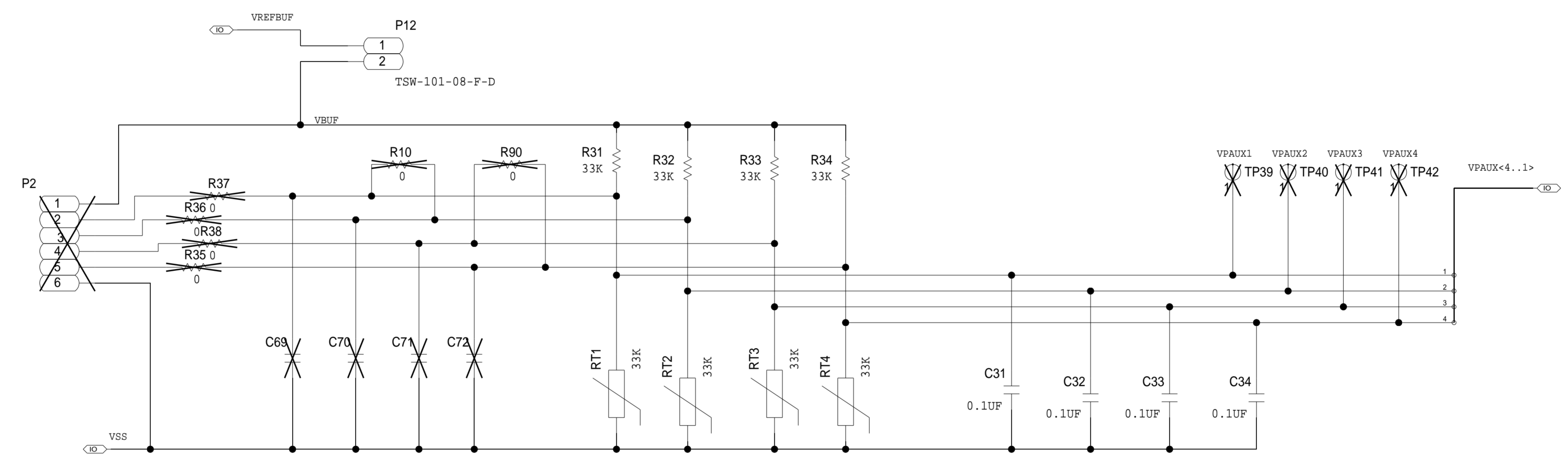
DRAWING NO.
SHEET 3 OF 4

REV
C

1
2
3
4
5
6
7
8

D C B A
1
2
3
4
5
6
7
8

REVISIONS			
REV	DESCRIPTION	DATE	APPROVED



<p>THIS DRAWING IS THE PROPERTY OF ANALOG DEVICES INC. IT IS NOT TO BE REPRODUCED OR COPIED, IN WHOLE OR IN PART, OR USED IN FURNISHING INFORMATION TO OTHERS, OR FOR ANY OTHER PURPOSE DETRIMENTAL TO THE INTERESTS OF ANALOG DEVICES. THE EQUIPMENT SHOWN HEREON MAY BE PROTECTED BY PATENTS OWNED OR CONTROLLED BY ANALOG DEVICES.</p>	SCHEMATIC		
	Transformer Isolated Config. AD7284 THERMISTORS		
	DESIGN VIEW -	DRAWING NO. -	REV C
	PTD ENGINEER S. Bradshaw	SIZE D	SCALE NTS

SHEET 4 OF 4