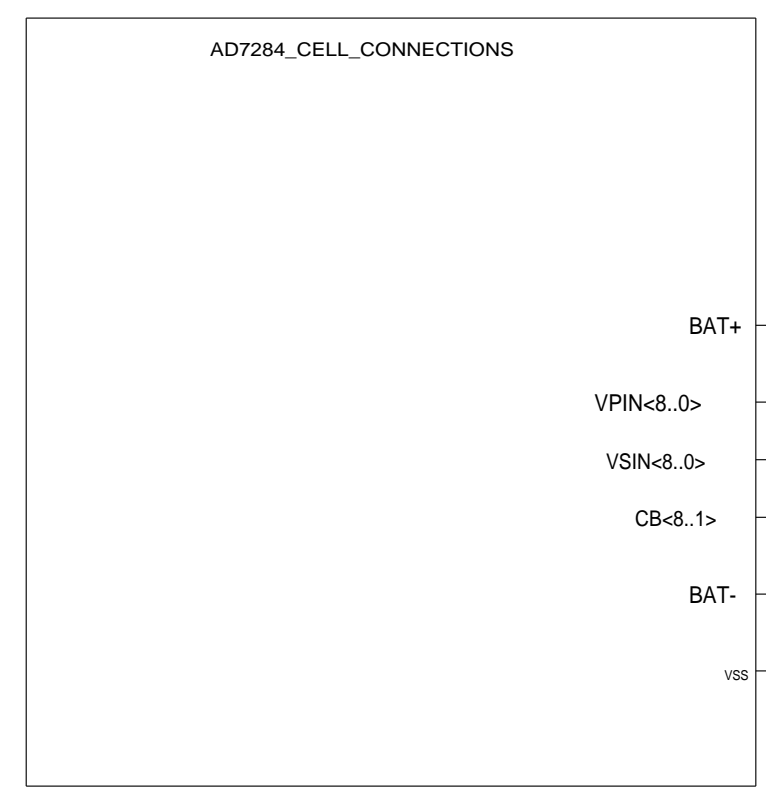
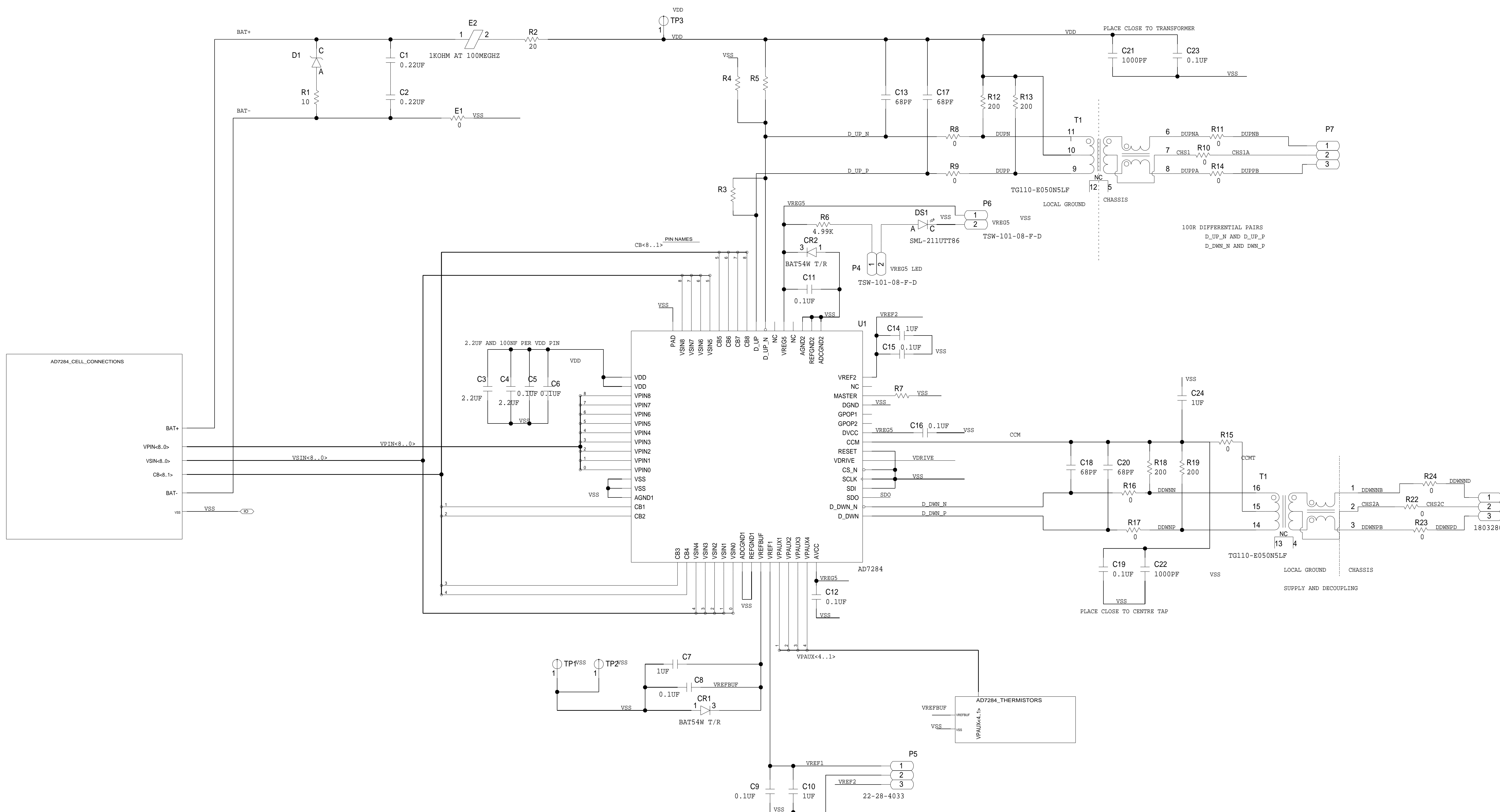
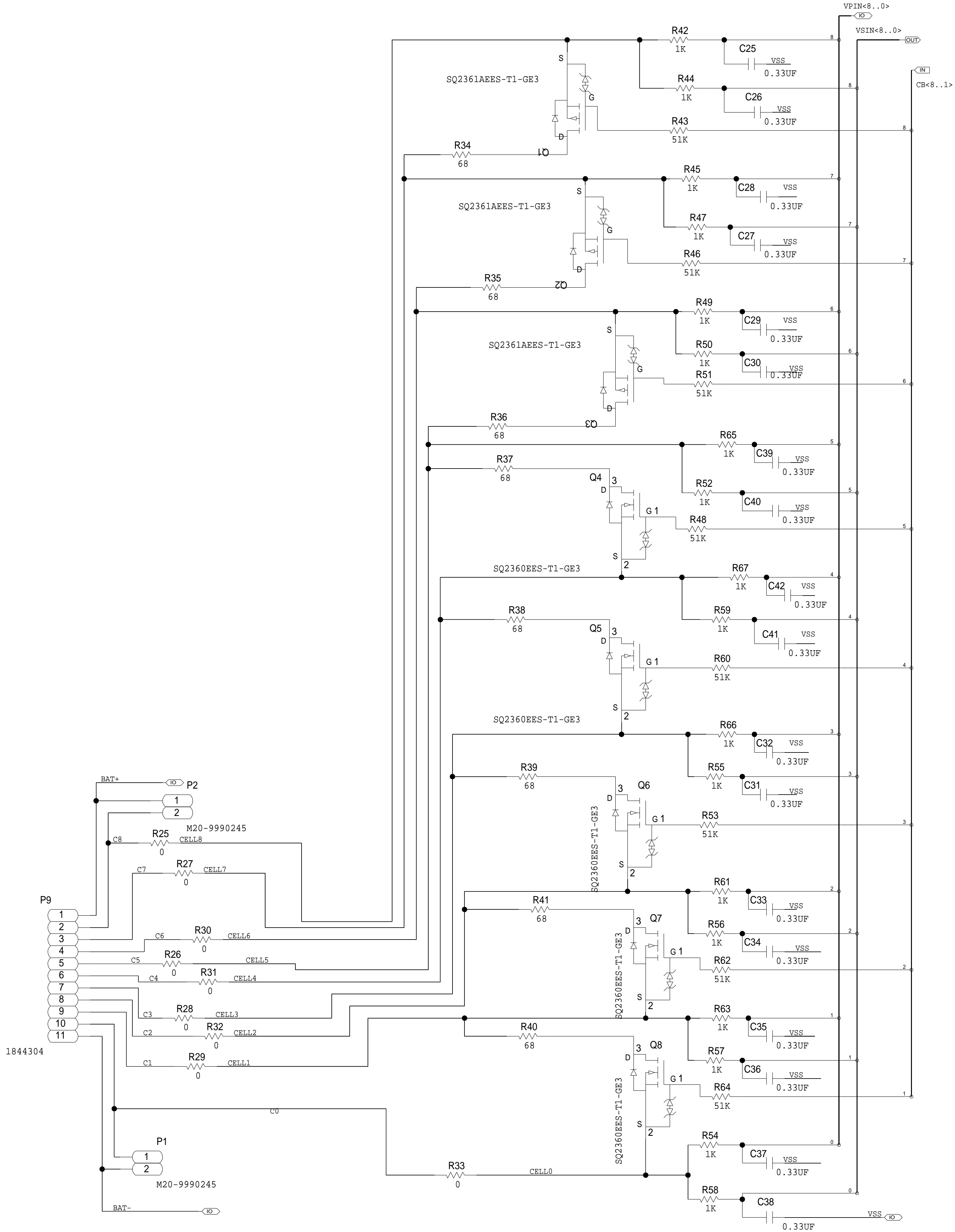
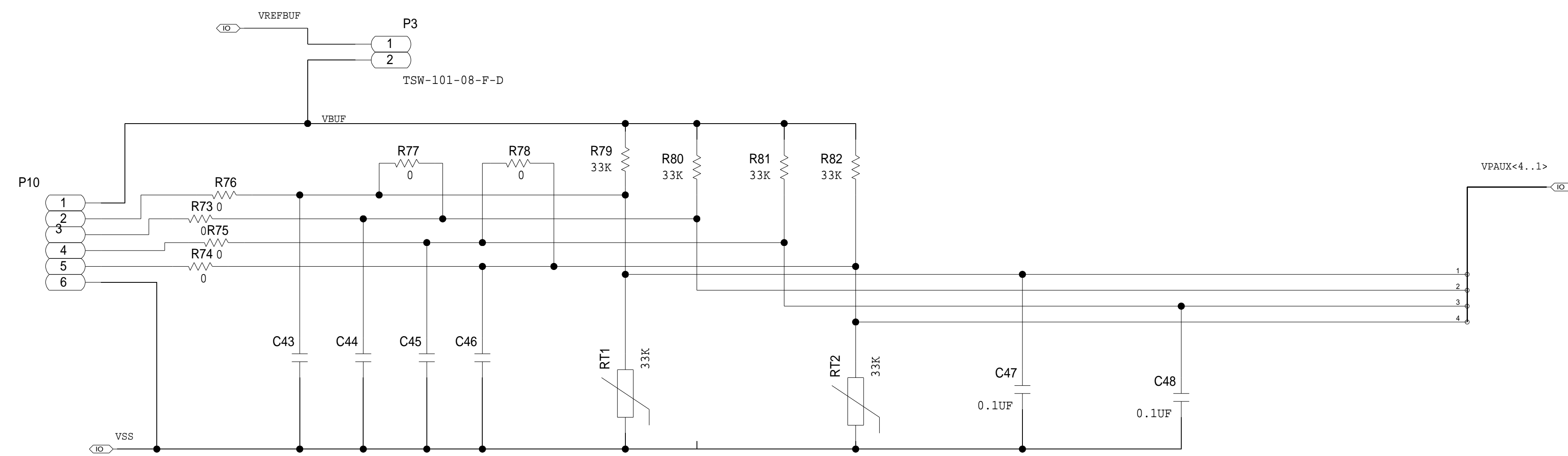


REVISIONS				
ZONE	LTN	DESCRIPTION	DATE	APPR.





REVISIONS			
REV	DESCRIPTION	DATE	APPROVED



	SCHEMATIC		
	HW TYPE : Customer Evaluation Product(s): AD7284 THERMISTORS :Transformer Isolated Slave		
	DESIGN VIEW <DESIGN_VIEW>	DRAWING NO. 02_043314	REV B
	PTD ENGINEER <PTD_ENGINEER>	SIZE D	SCALE 1:1
		SHEET 4 OF 4	