

6

5

4

3

2

1

REVISION RECORD			
LTR	ECO NO:	APPROVED:	DATE:
0		Mike Looney	Feb 13
B		Mike Looney	Sept 13

D

D

C

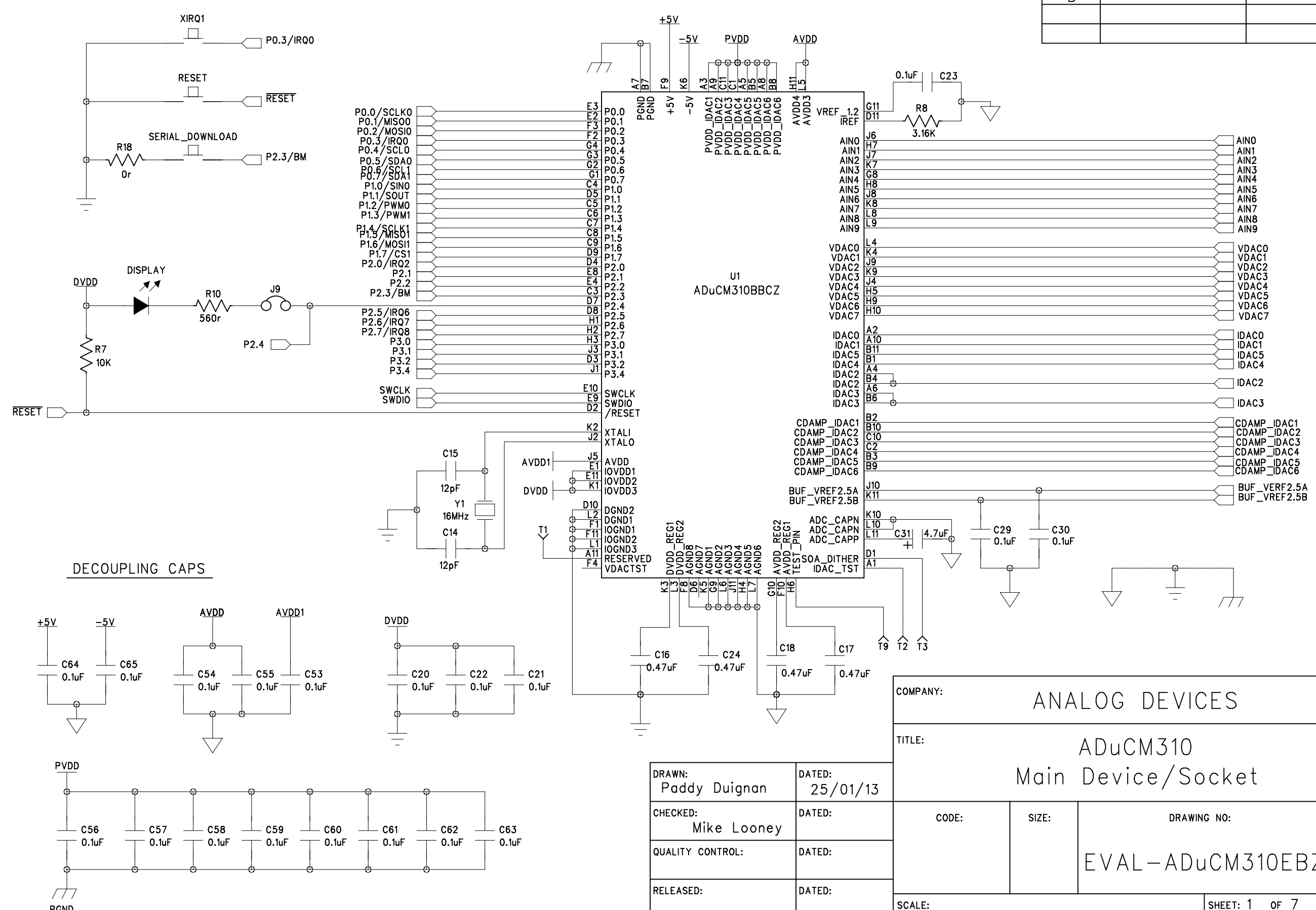
C

B

B

A

A



DECOUPLING CAPS

COMPANY: ANALOG DEVICES			
TITLE: ADuCM310 Main Device/Socket			
DRAWN: Paddy Duignan	DATED: 25/01/13	CODE:	SIZE:
CHECKED: Mike Looney	DATED:	DRAWING NO:	
QUALITY CONTROL:	DATED:	REV: C	
RELEASED:	DATED:	SCALE:	
			SHEET: 1 OF 7

EVAL-ADuCM310EBZ C

6

5

4

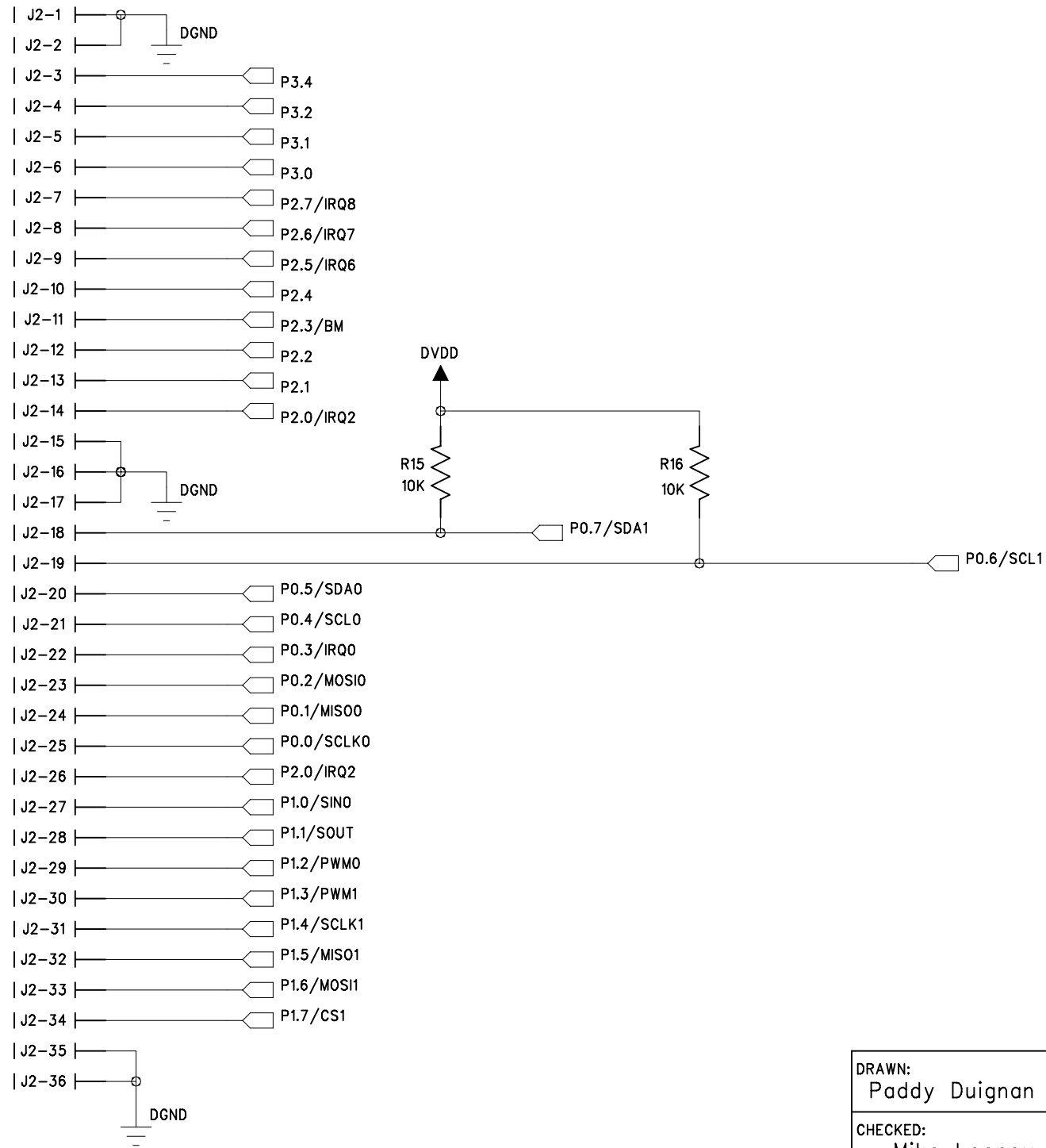
3

2

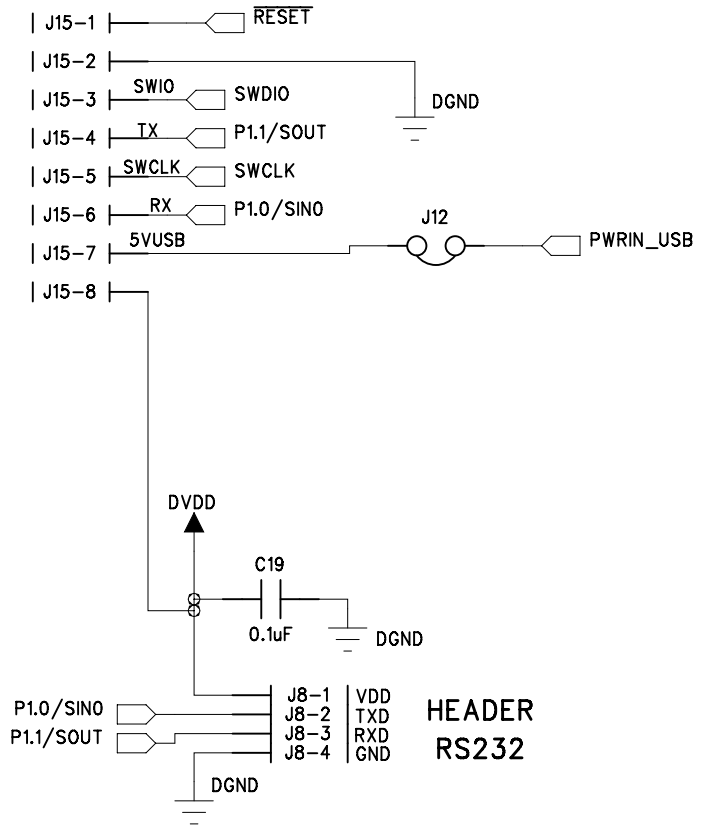
1

REVISION RECORD			
LTR	ECO NO:	APPROVED:	DATE:
0		Mike Looney	Feb 13
B		Mike Looney	Sept 13

DIGITAL PINS



INTERFACE BOARD CONNECTOR  
For Serial Wire programming/debug



DRAWN: Paddy Duignan	DATED: 25/01/13
CHECKED: Mike Looney	DATED:
QUALITY CONTROL:	DATED:
RELEASED:	DATED:

COMPANY: ANALOG DEVICES			
TITLE: ADuCM310 Digital I/O			
CODE:	SIZE:	DRAWING NO:	REV:
		EVAL-ADuCM310EBZ	C
SCALE:			SHEET: 2 OF 7

6

5

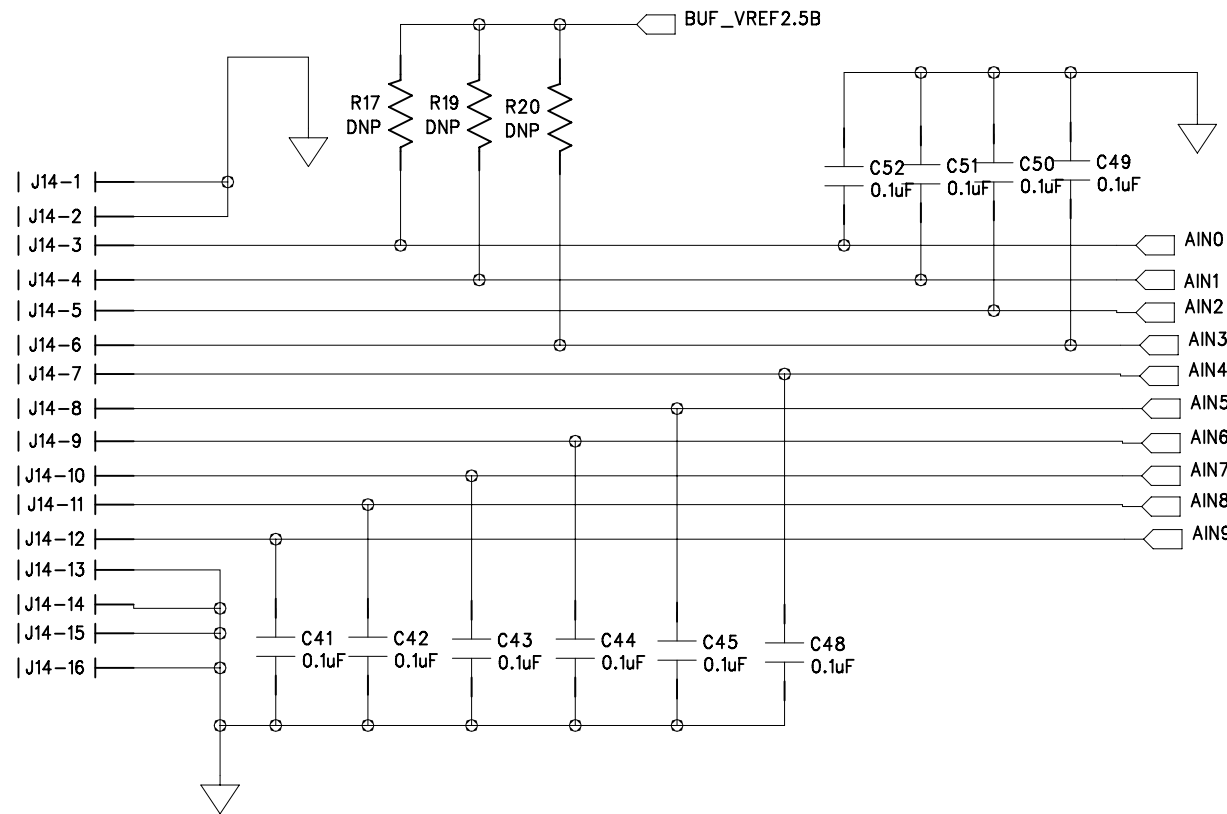
4

3

2

1

REVISION RECORD			
LTR	ECO NO:	APPROVED:	DATE:
0		Mike Looney	Feb 13
B		Mike Looney	Sept 13



COMPANY:				ANALOG DEVICES			
TITLE:				ADuCM310 ADC - Connector			
DRAWN: Paddy Duignan		DATED: 25/01/13		CODE:		SIZE:	
CHECKED: Mike Looney		DATED:		DRAWING NO:		REV:	
QUALITY CONTROL:		DATED:		EVAL-ADuCM310EBZ C			
RELEASED:		DATED:		SCALE:			
				SHEET: 3 OF 7			

D

D

C

C

B

B

A

A

6

5

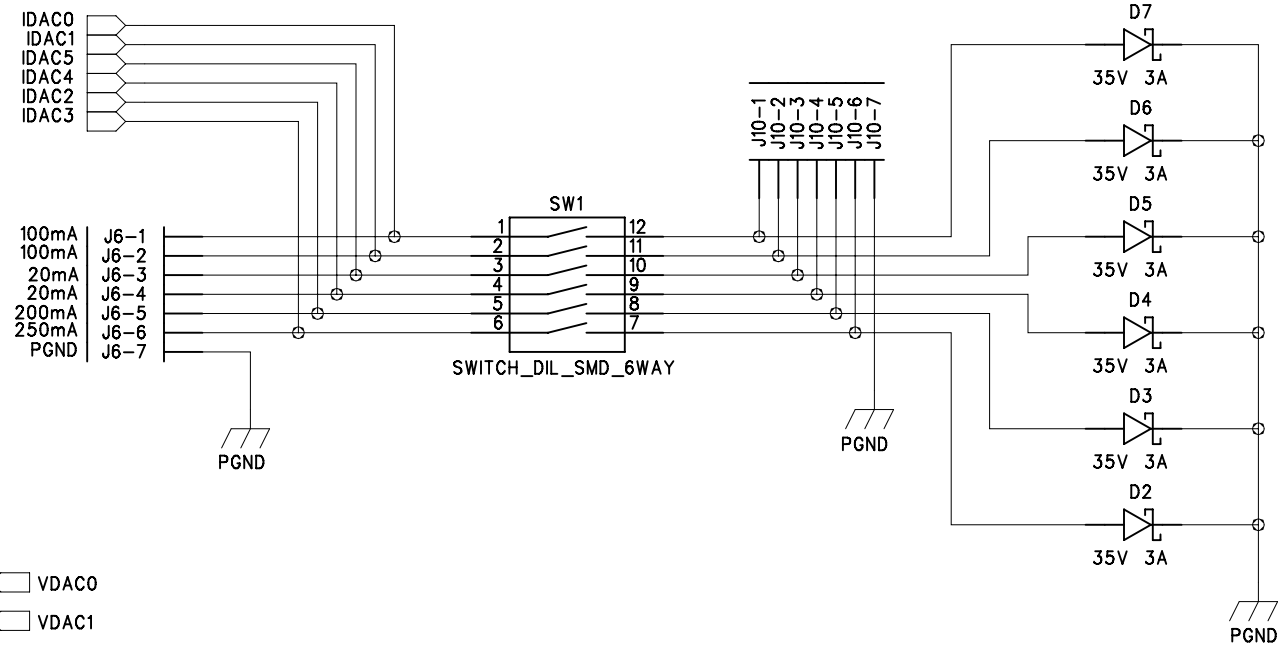
4

3

2

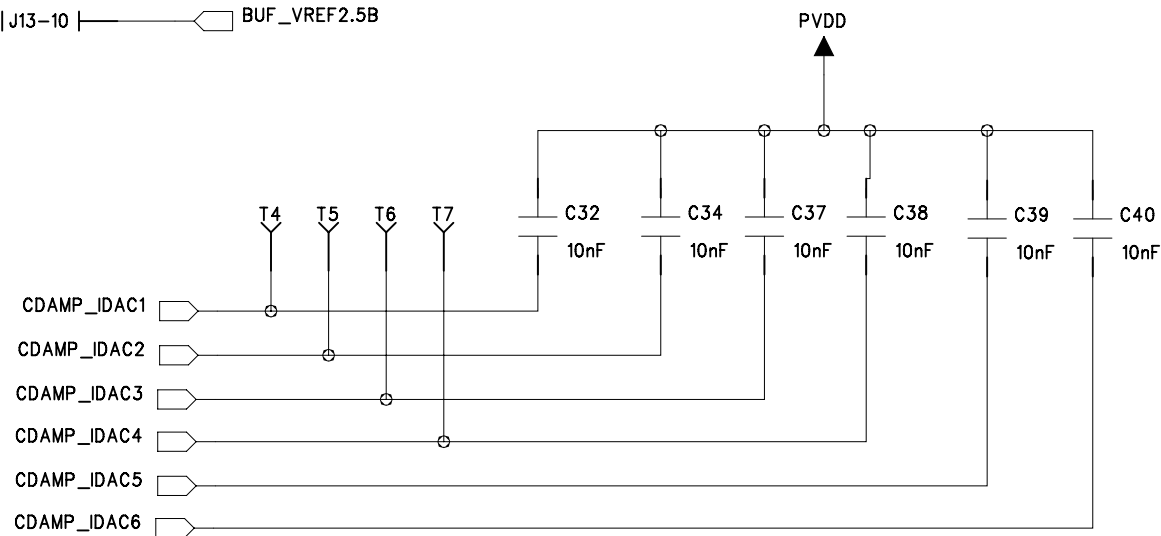
1

REVISION RECORD			
LTR	ECO NO:	APPROVED:	DATE:
0		Mike Looney	Feb 13
B		Mike Looney	Sept 13



VDAC CONNECTOR

- | J13-1 | ———— □ VDAC0
- | J13-2 | ———— □ VDAC1
- | J13-3 | ———— □ VDAC2
- | J13-4 | ———— □ VDAC3
- | J13-5 | ———— □ VDAC4
- | J13-6 | ———— □ VDAC5
- | J13-7 | ———— □ VDAC6
- | J13-8 | ———— □ VDAC7
- | J13-9 | ———— □ BUF\_VREF2.5A
- | J13-10 | ——— □ BUF\_VREF2.5B



COMPANY:				ANALOG DEVICES			
TITLE:				ADuCM310 IDAC/VDAC			
DRAWN: Paddy Duignan		DATED: 25/01/13		CODE:		SIZE:	
CHECKED: Mike Looney		DATED:		DRAWING NO:		REV:	
QUALITY CONTROL:		DATED:		EVAL-ADuCM310EBZ C			
RELEASED:		DATED:		SCALE:			
				SHEET: 4 OF 7			

DRAWN: Paddy Duignan	DATED: 25/01/13
CHECKED: Mike Looney	DATED:
QUALITY CONTROL:	DATED:
RELEASED:	DATED:

D

D

C

C

B

B

A

A

6

5

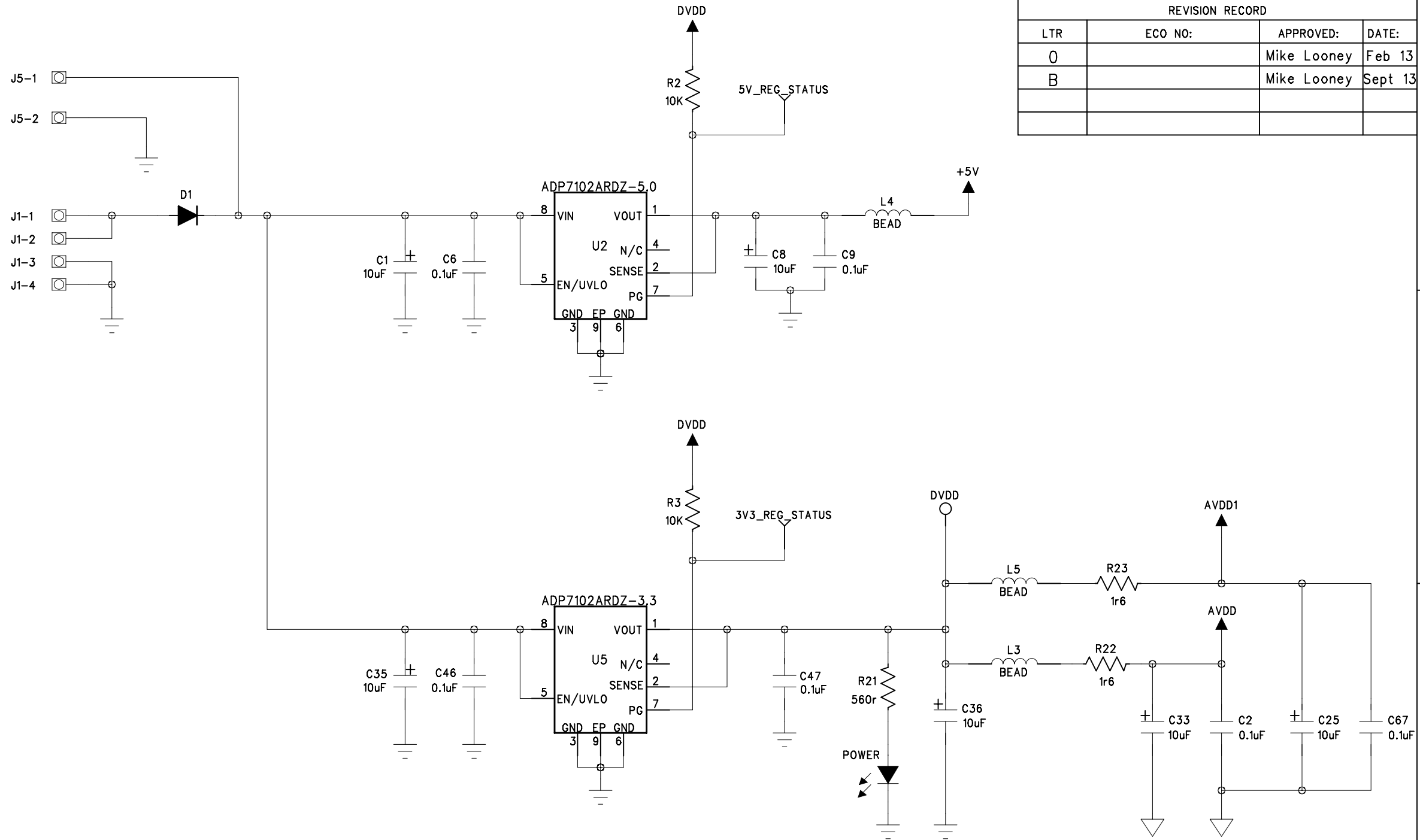
4

3

2

1

REVISION RECORD			
LTR	ECO NO:	APPROVED:	DATE:
0		Mike Looney	Feb 13
B		Mike Looney	Sept 13



D

D

C

C

B

B

A

A

COMPANY:				ANALOG DEVICES			
TITLE:				ADuCM310 POWER-1			
CODE:	SIZE:	DRAWING NO:		REV:			
		EVAL-ADuCM310EBZ		C			
SCALE:						SHEET: 5 OF 7	

DRAWN: Paddy Duignan	DATED: 25/01/13
CHECKED: Mike Looney	DATED:
QUALITY CONTROL:	DATED:
RELEASED:	DATED:

6

5

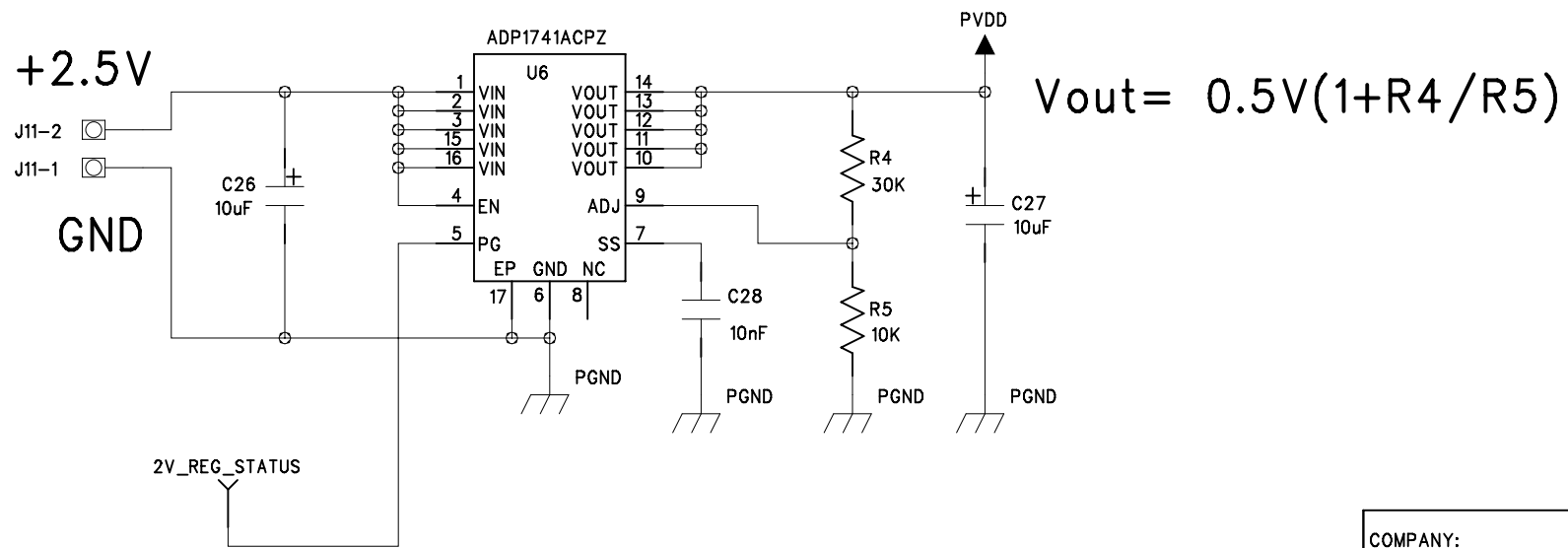
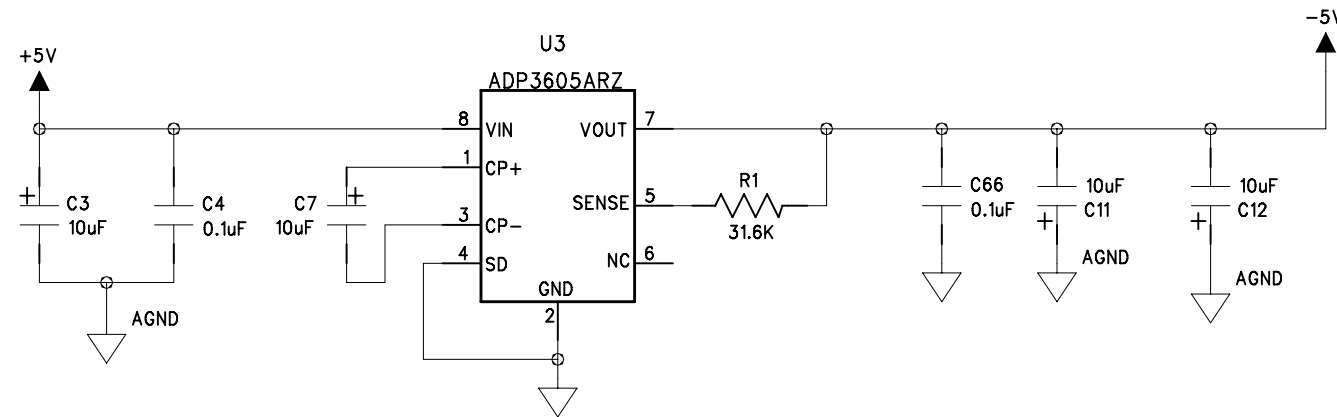
4

3

2

1

REVISION RECORD			
LTR	ECO NO:	APPROVED:	DATE:
0		Mike Looney	Feb 13
B		Mike Looney	Sept 13



COMPANY:				ANALOG DEVICES			
TITLE:				ADuCM310 POWER-2			
DRAWN: Paddy Duignan		DATED: 25/01/13		CODE:		DRAWING NO:	
CHECKED: Mike Looney		DATED:		SIZE:		REV:	
QUALITY CONTROL:		DATED:		EVAL-ADuCM310EBZ C			
RELEASED:		DATED:		SCALE:			
						SHEET: 6 OF 7	

D

C

B

A

D

C

B

A

6

5

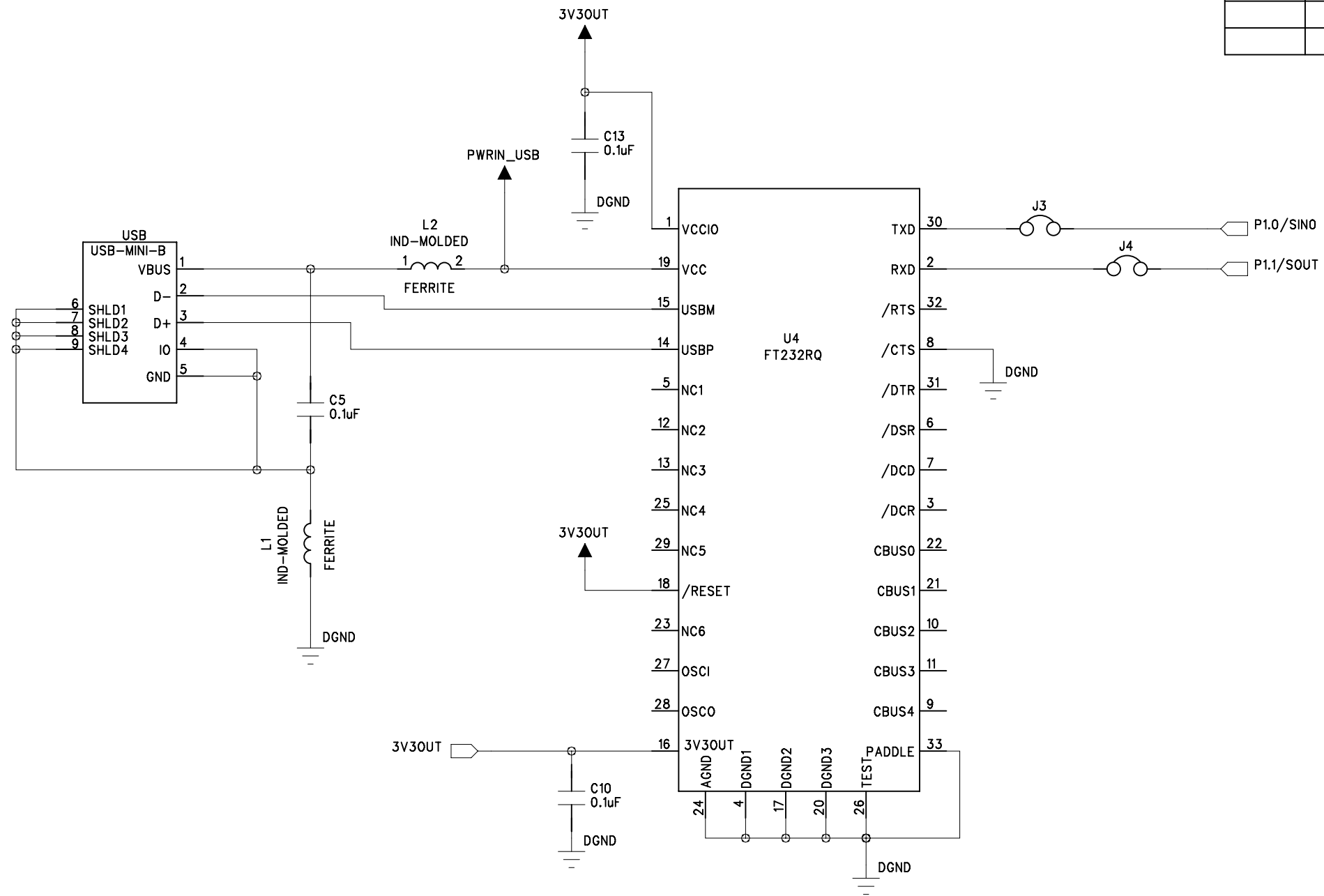
4

3

2

1

REVISION RECORD			
LTR	ECO NO:	APPROVED:	DATE:
0		Mike Looney	Feb 13
B		Mike Looney	Sept 13



COMPANY:				ANALOG DEVICES			
TITLE:				ADuCM310 UART-USB			
DRAWN: Paddy Duignan		DATED: 25/01/13		CODE:		SIZE:	
CHECKED: Mike Looney		DATED:		DRAWING NO:		REV:	
QUALITY CONTROL:		DATED:		EVAL-ADuCM310EBZ		C	
RELEASED:		DATED:		SCALE:		SHEET: 7 OF 7	

DRAWN: Paddy Duignan	DATED: 25/01/13
CHECKED: Mike Looney	DATED:
QUALITY CONTROL:	DATED:
RELEASED:	DATED:

D

C

B

A

D

C

B

A