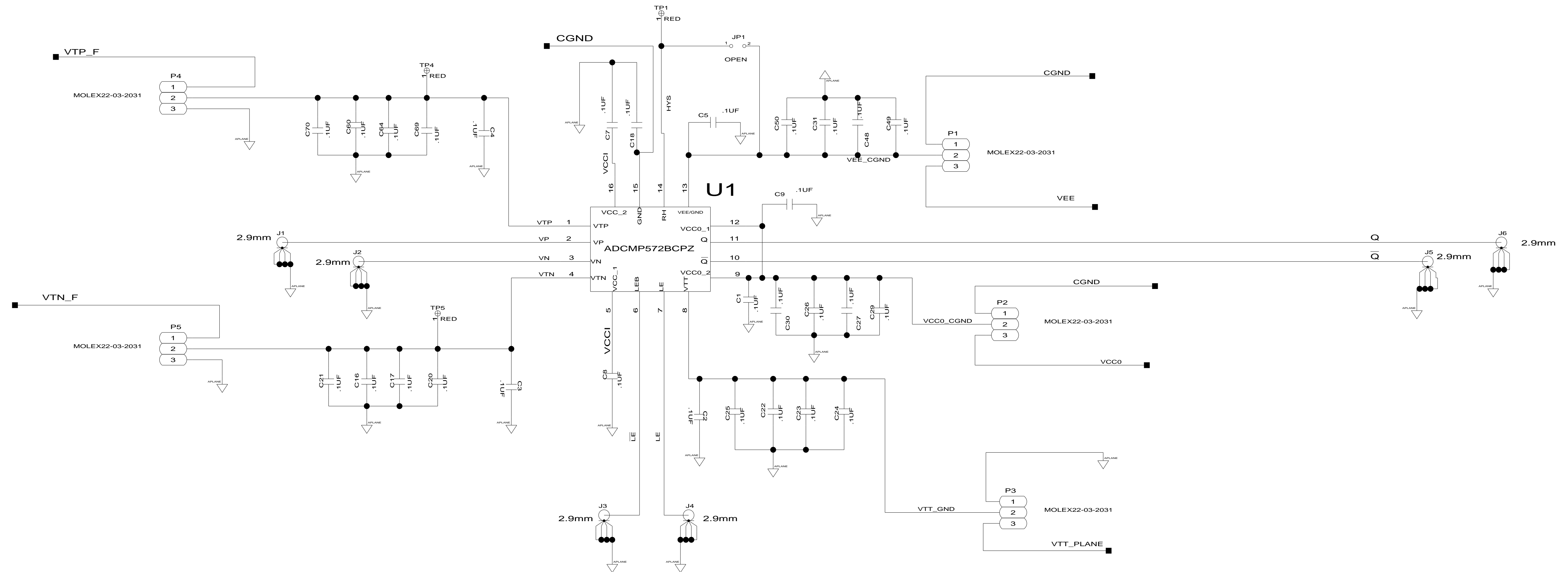


REVISIONS			
REV	DESCRIPTION	DATE	APPROVED
A	INITIAL RELEASE	XXXX	NAME
C	Update to Lead Free Z	12/12/06	HongKim
C1	REPLACE OBS PARTS (ECR-045461)	MAR-2014	J.C.

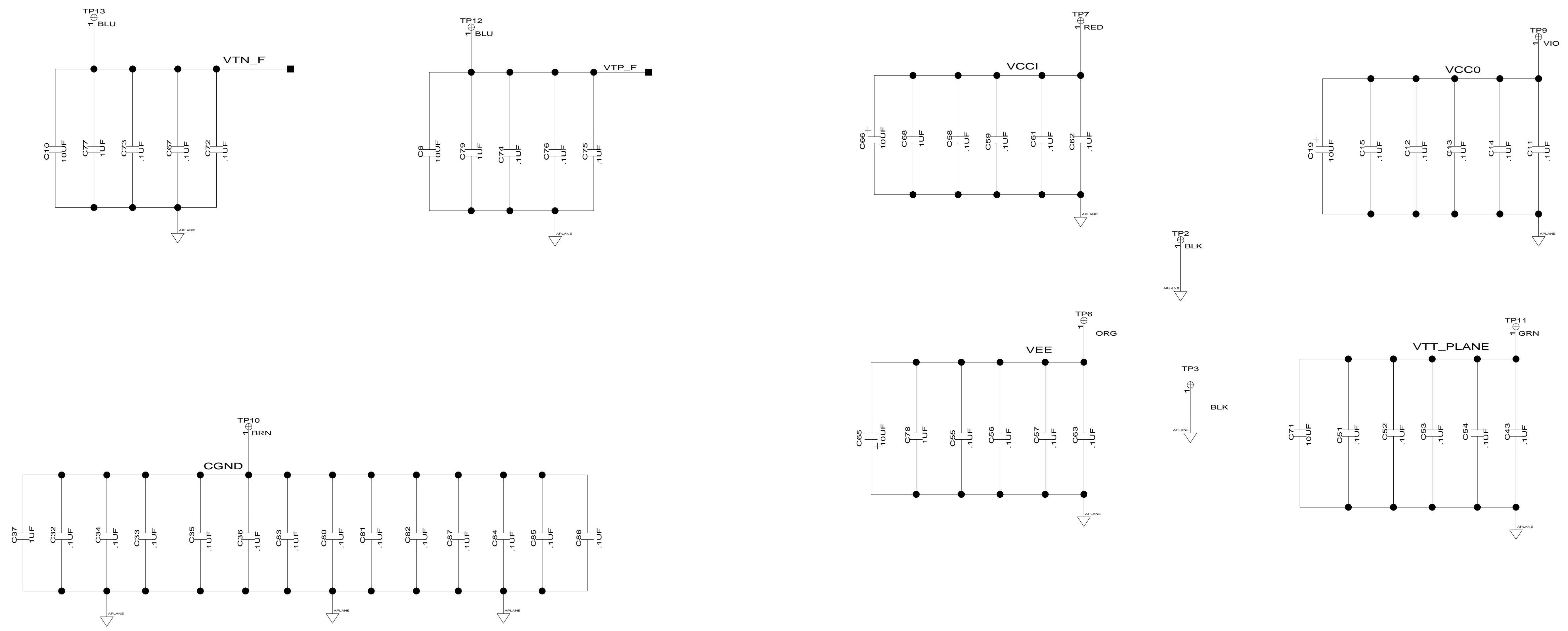
Make JP1's mounting holes large enough for Coto cups.
0-500uA
Floating/Open is normal operating mode.



NOTES:

- 1.) Output swing will be approx. 400 mVp-p as seen at the connector into a 50 Ohm load.
- 2.) 2.9mm connector mounting screws will need adhesive.
- 3.) A selection of resistors to be provided for possible insertion into JP1.

M014778	PINS CONN CENTER 2.92MM	_QTY 6 FOR J1-6	NOTES																		
08-008938 C	PC BOARD	000?	NOTES																		
PART NO	DESCRIPTION	REF DES	NOTES																		
HIGHEST REF DES USED	UNLESS OTHERWISE SPECIFIED DIMENSIONS ARE IN INCHES	<table border="1"> <tr> <td>APPROVAL</td> <td>DATE</td> <td>TITLE</td> </tr> <tr> <td>L. DO</td> <td>1/20/04</td> <td>XFCB3 COMPARATOR EVAL/CUSTOMER BOARD</td> </tr> <tr> <td>DESIGNED BY:</td> <td></td> <td></td> </tr> <tr> <td>CHECKED:</td> <td></td> <td></td> </tr> <tr> <td>APPROVED BY:</td> <td></td> <td></td> </tr> <tr> <td>MFG ENGINEER:</td> <td></td> <td></td> </tr> </table>		APPROVAL	DATE	TITLE	L. DO	1/20/04	XFCB3 COMPARATOR EVAL/CUSTOMER BOARD	DESIGNED BY:			CHECKED:			APPROVED BY:			MFG ENGINEER:		
APPROVAL	DATE	TITLE																			
L. DO	1/20/04	XFCB3 COMPARATOR EVAL/CUSTOMER BOARD																			
DESIGNED BY:																					
CHECKED:																					
APPROVED BY:																					
MFG ENGINEER:																					
REF DES NOT USED	<table border="1"> <tr> <td>FINISH</td> <td>SIZE</td> <td>FSCM NO</td> <td>DRAWING NUMBER</td> <td>REV</td> </tr> <tr> <td></td> <td>D</td> <td></td> <td>02-008938</td> <td>C1</td> </tr> <tr> <td>DO NOT SCALE</td> <td>SCALE</td> <td>NONE</td> <td>SHEET 1</td> <td>SHEET 1 OF 2</td> </tr> </table>	FINISH	SIZE	FSCM NO	DRAWING NUMBER	REV		D		02-008938	C1	DO NOT SCALE	SCALE	NONE	SHEET 1	SHEET 1 OF 2	<p>ANALOG DEVICES 804 WOBURN ST WILMINGTON, MA 01887</p>				
FINISH	SIZE	FSCM NO	DRAWING NUMBER	REV																	
	D		02-008938	C1																	
DO NOT SCALE	SCALE	NONE	SHEET 1	SHEET 1 OF 2																	



XFCB3 COMPARATOR EVAL/CUSTOMER BOARD

	SIZE	FSCM NO	DRAWING NUMBER	REV
	D		02-008938	C1
804 WOBURN STREET WILMINGTON, MA 01887			SHEET 2	
DRAWN BY	APPROVED BY	SCALE	DO NOT SCALE	SHEET 2 OF 2
***		NONE		2