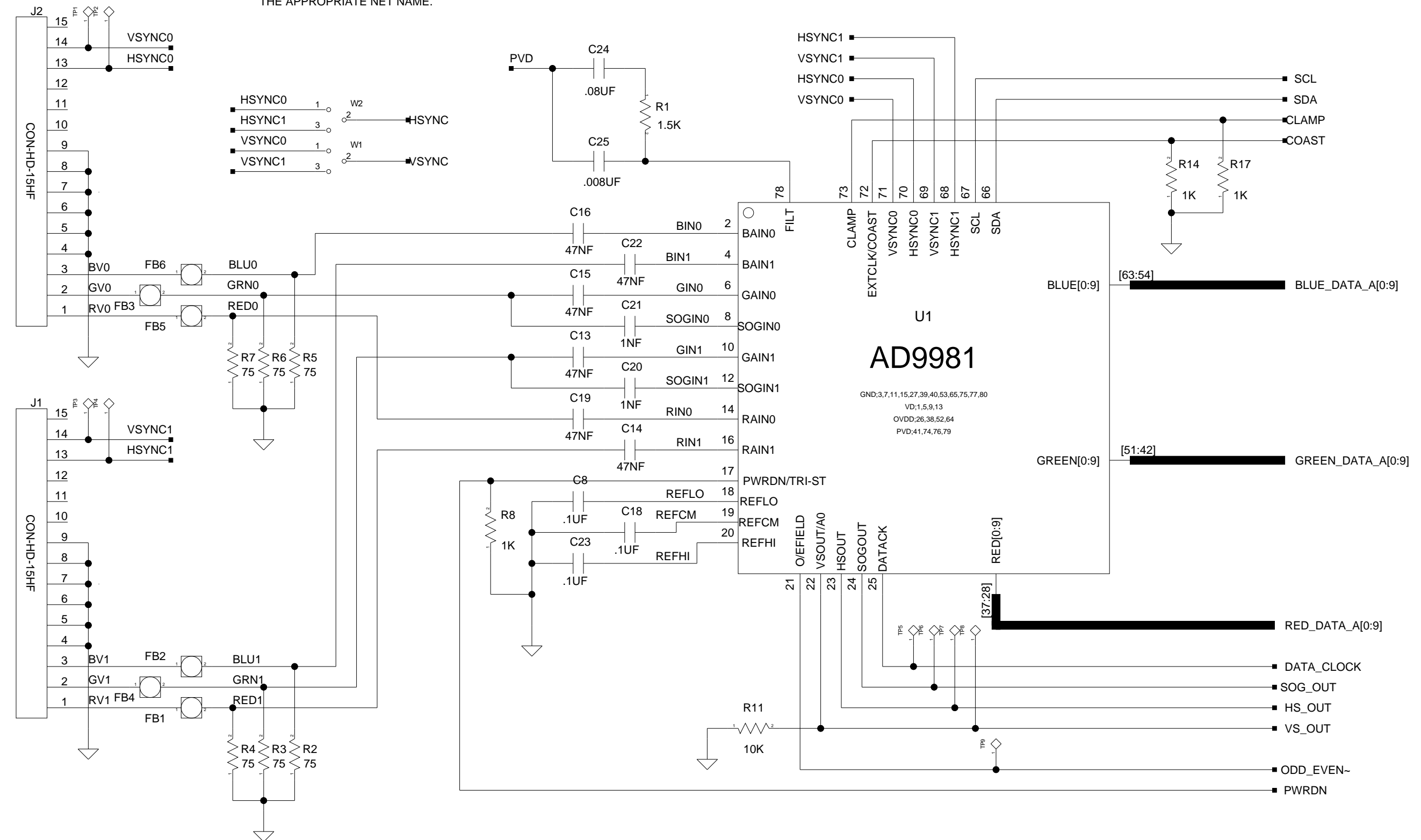
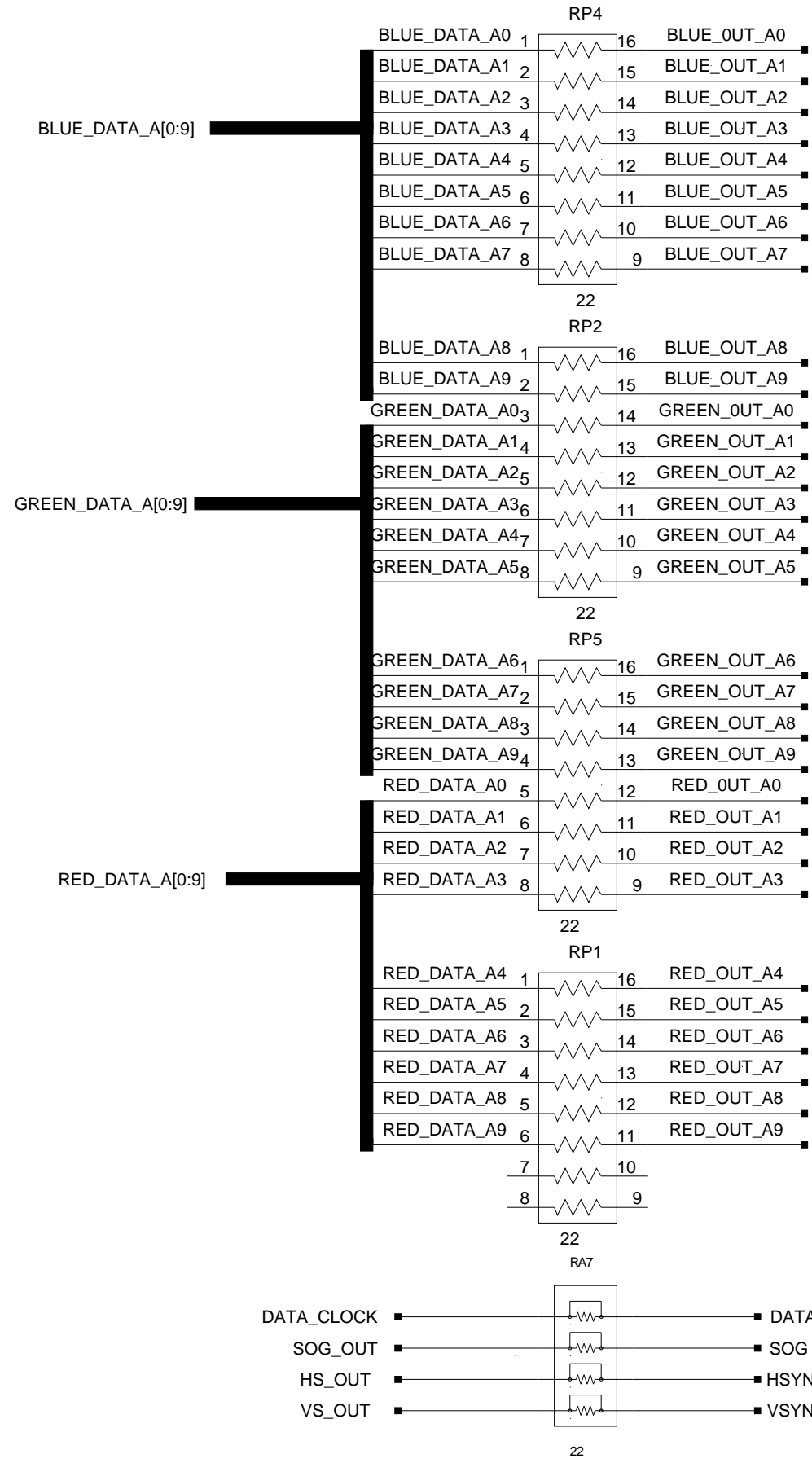
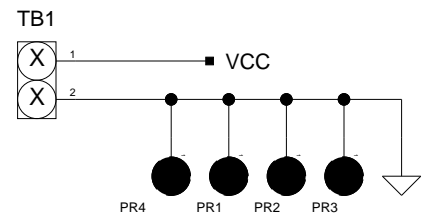
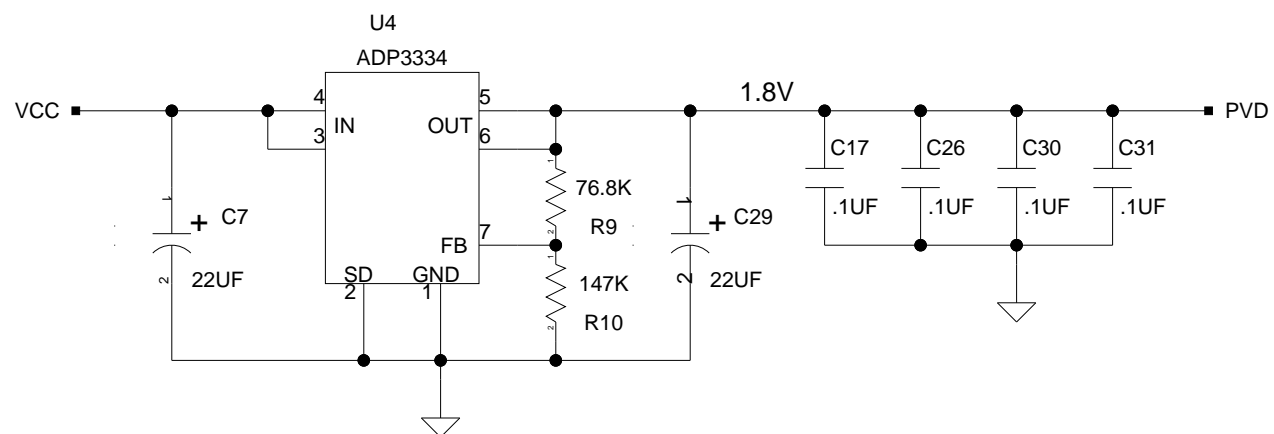
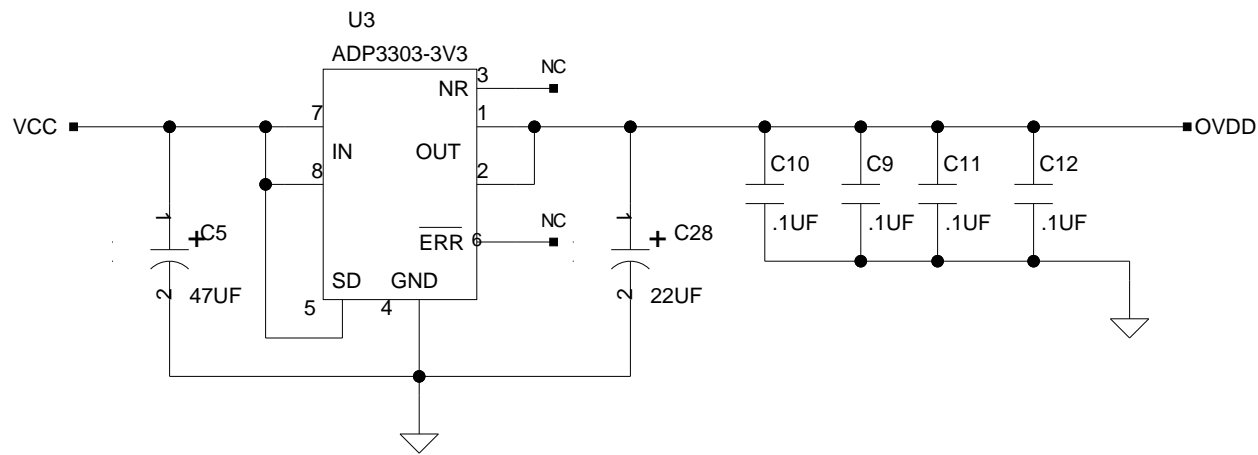
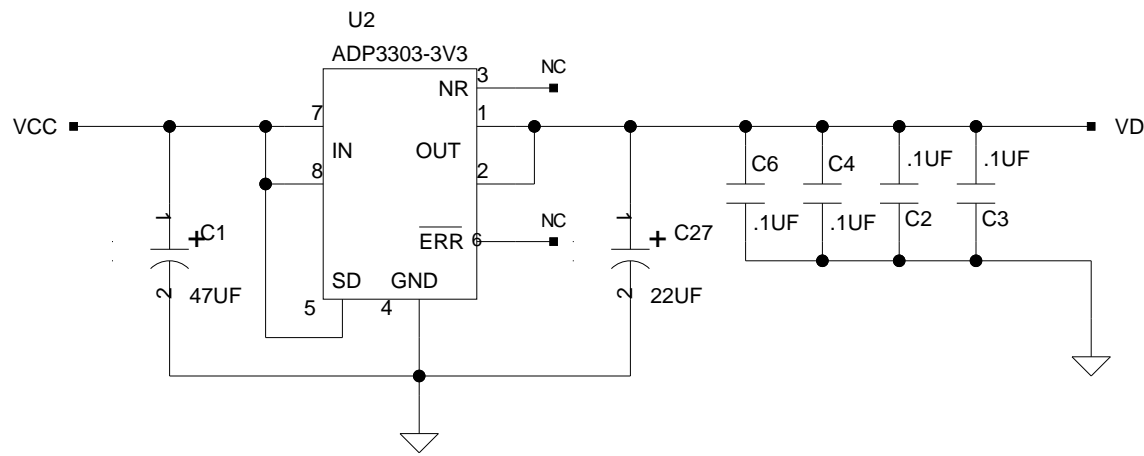


REVISIONS			
REV	DESCRIPTION	DATE	APPROVED
B	Removed I2C resistors, added A0 pull-down	2/17/04	

NOTE: LABEL ALL TEST POINTS WITH THE APPROPRIATE NET NAME.







Note: Pins 5, 6, 11, 12, 91, 92 and 94 are not defined.

