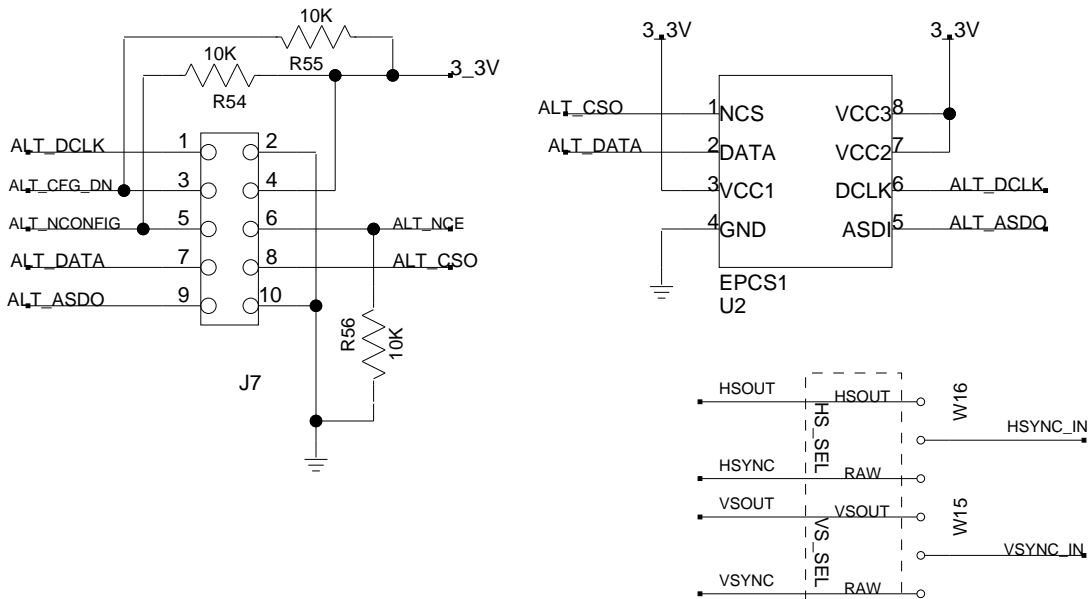
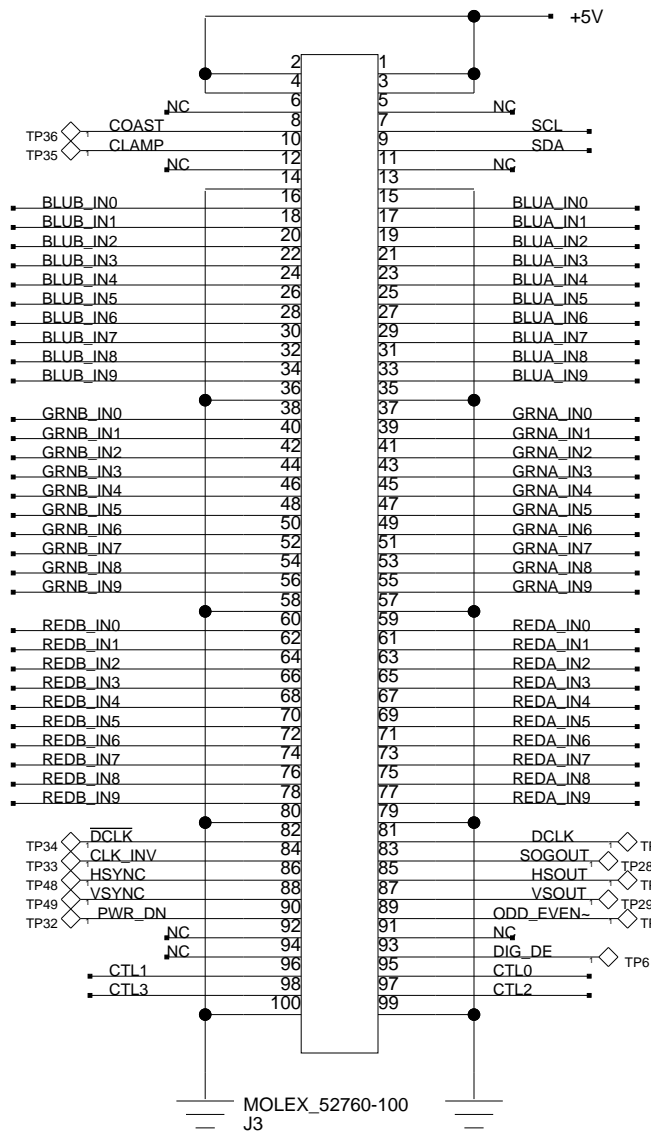
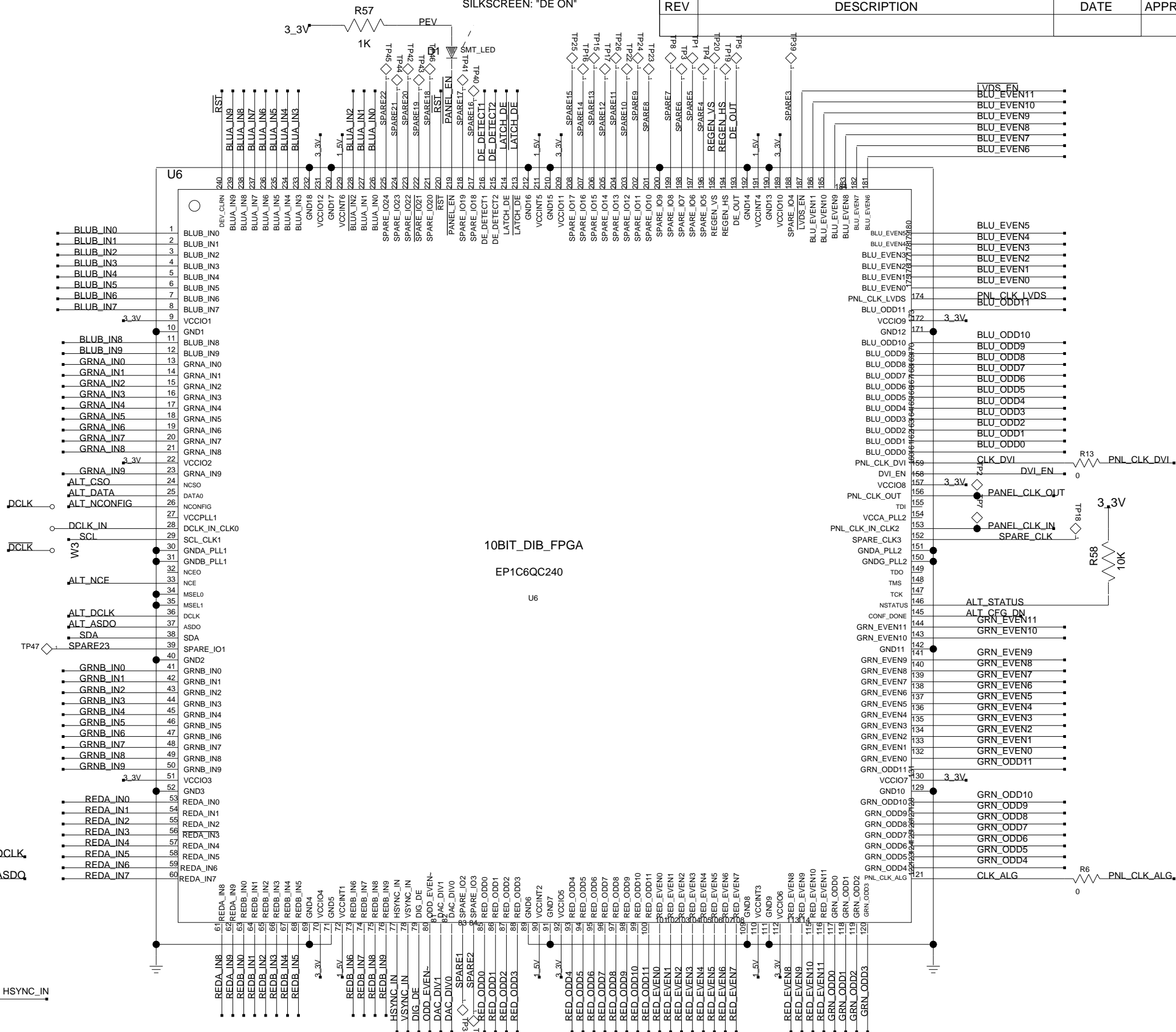


ADD NET NAMES FOR ALL TP'S (EXCEPT SPARES) TO SILKSCREEN



ADD THIS TEXT TO SILKSCREEN

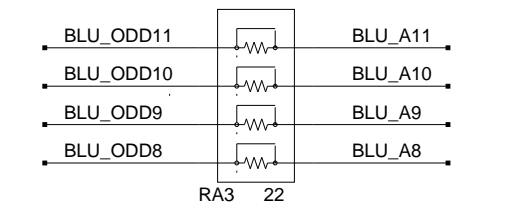
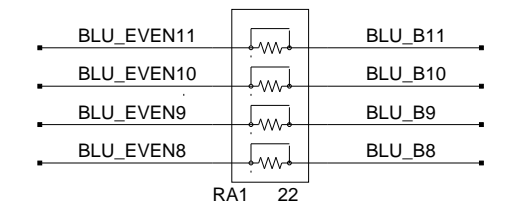
ADD THIS TEXT TO SILKSCREEN: "DE ON"



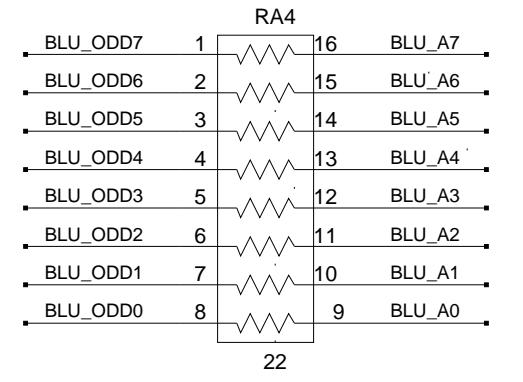
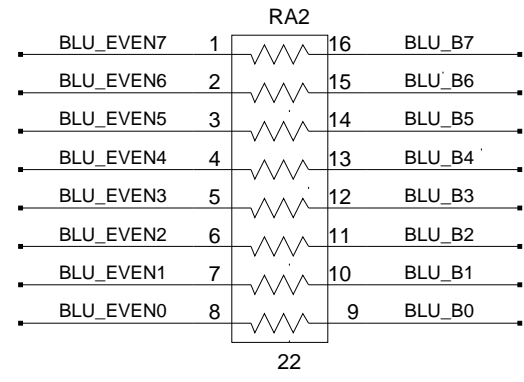
REVISIONS			
REV	DESCRIPTION	DATE	APPROVED

	<b>HSC GREENSBORO</b> 7910 TRIAD CENTER DRIVE GREENSBORO NC 27409		TITLE <b>10-BIT DISPLAY INTERFACE BOARD</b>
	DATE:	SHEET 1 OF 7	DRAWN BY: D. JONES
REV A			REV A

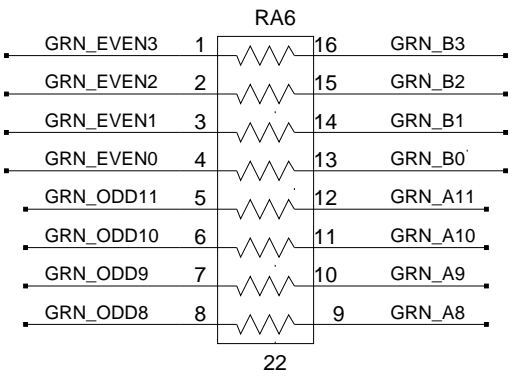
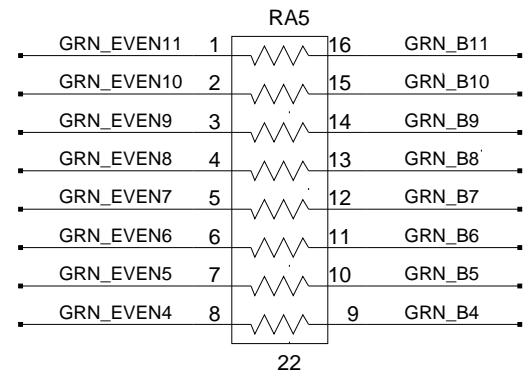
REVISIONS			
REV	DESCRIPTION	DATE	APPROVED



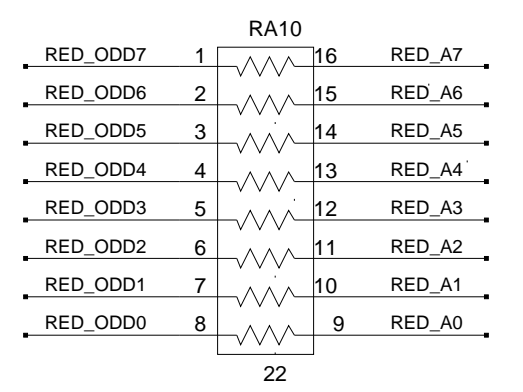
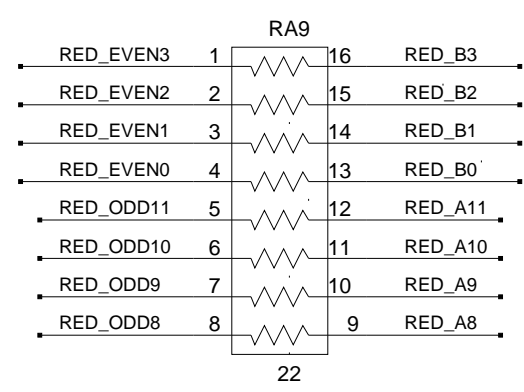
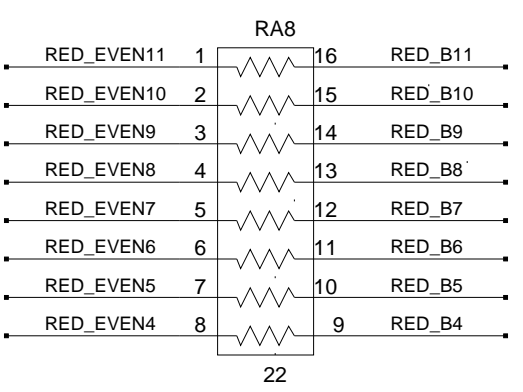
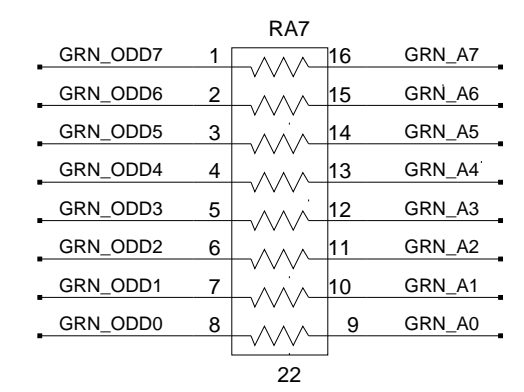
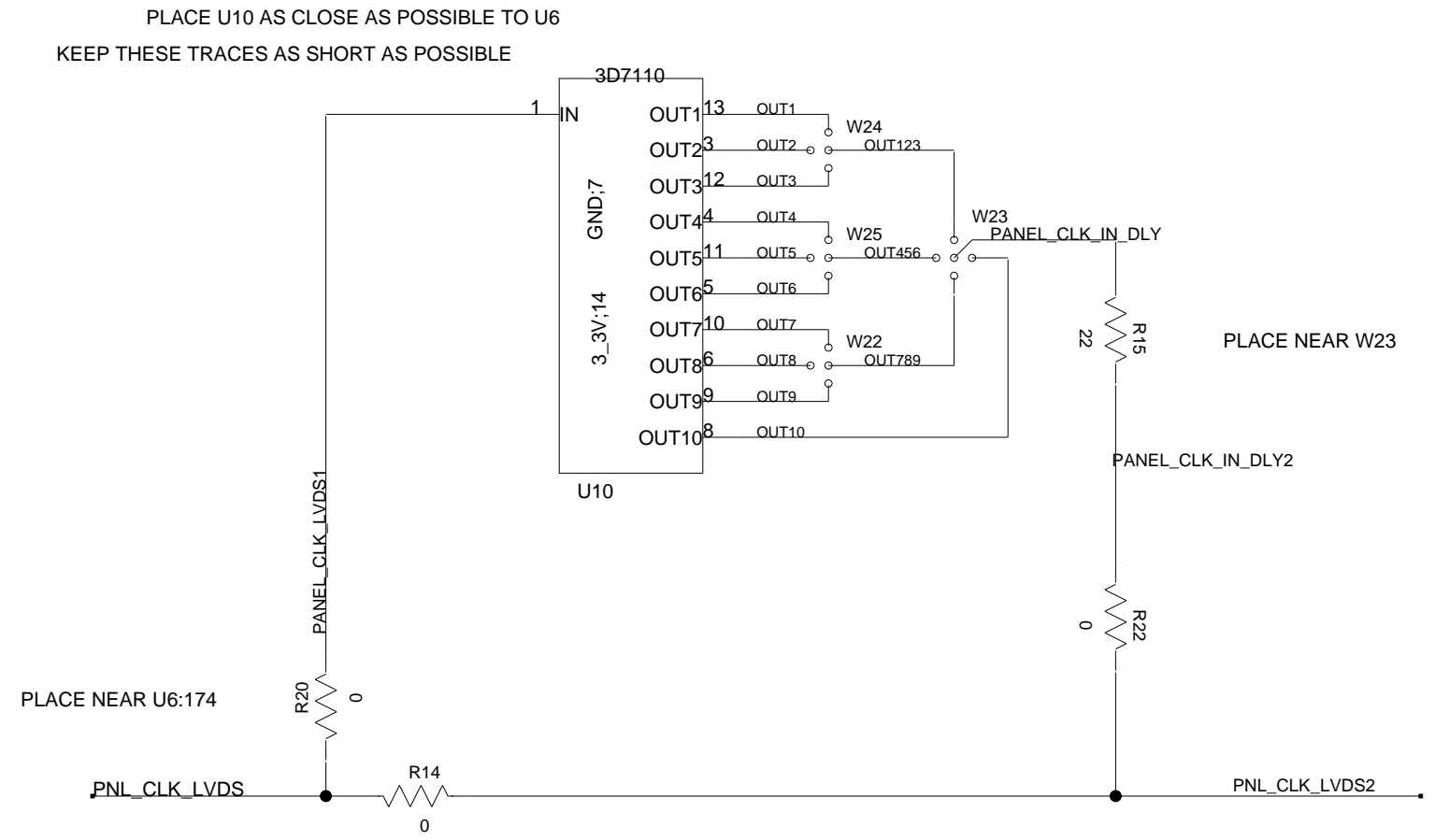
PLACE MOUNTING HOLES IN EACH CORNER OF THE PCB



THE CLOCK DELAY CIRCUIT SHOWN HERE IS A STUFFING OPT.



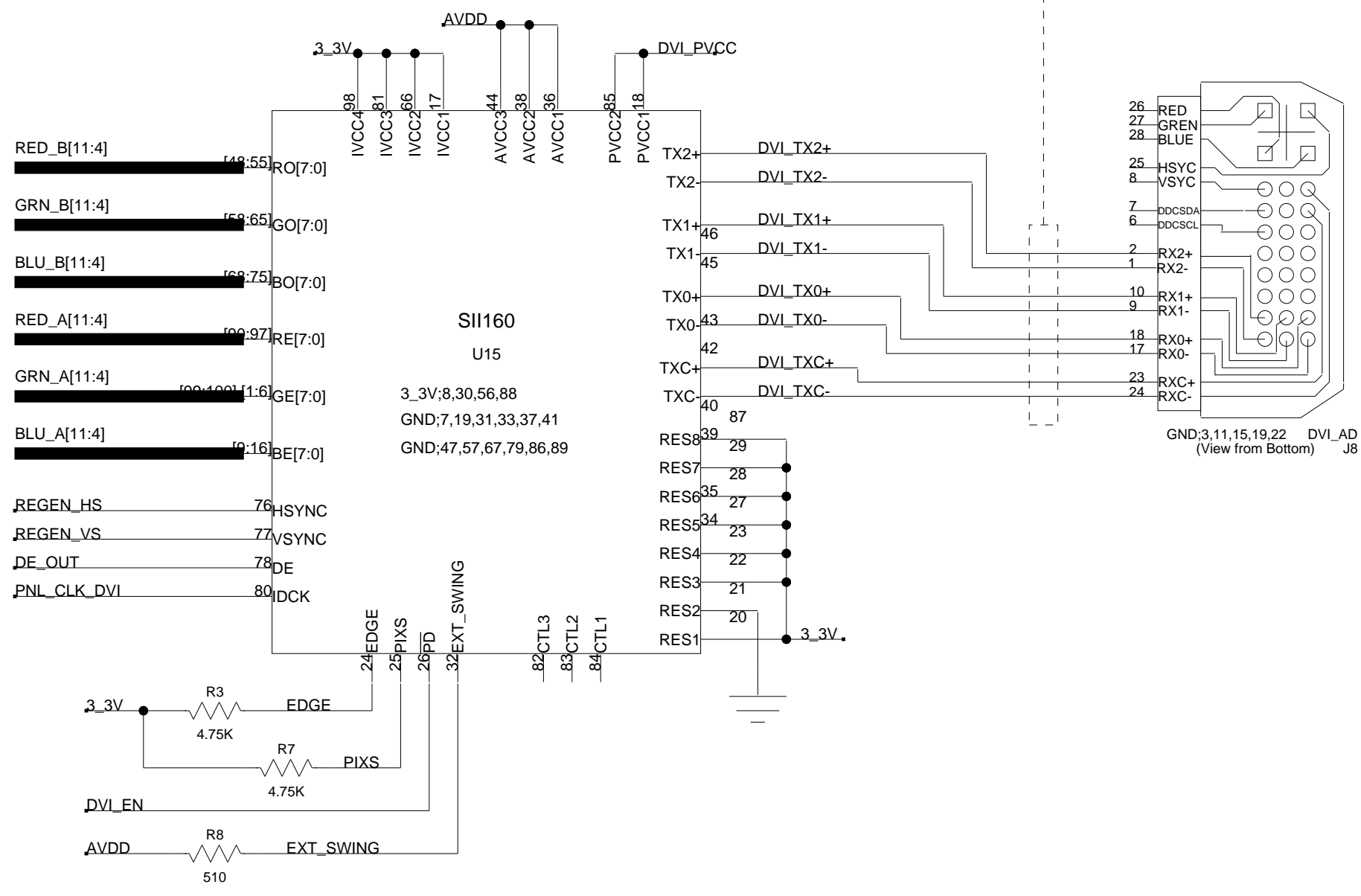
PLACE U10 AS CLOSE AS POSSIBLE TO U6  
KEEP THESE TRACES AS SHORT AS POSSIBLE



SERIES TERMINATORS & OUTPUT CLOCK DELAY (IF NEEDED)

	<b>HSC GREENSBORO</b> 7910 TRIAD CENTER DRIVE GREENSBORO NC 27409	TITLE	10-BIT DISPLAY INTERFACE BOARD
		DRAWING NUMBER	GSO8273
DATE:	SHEET 2 OF 7	DRAWN BY: D. JONES	REV A

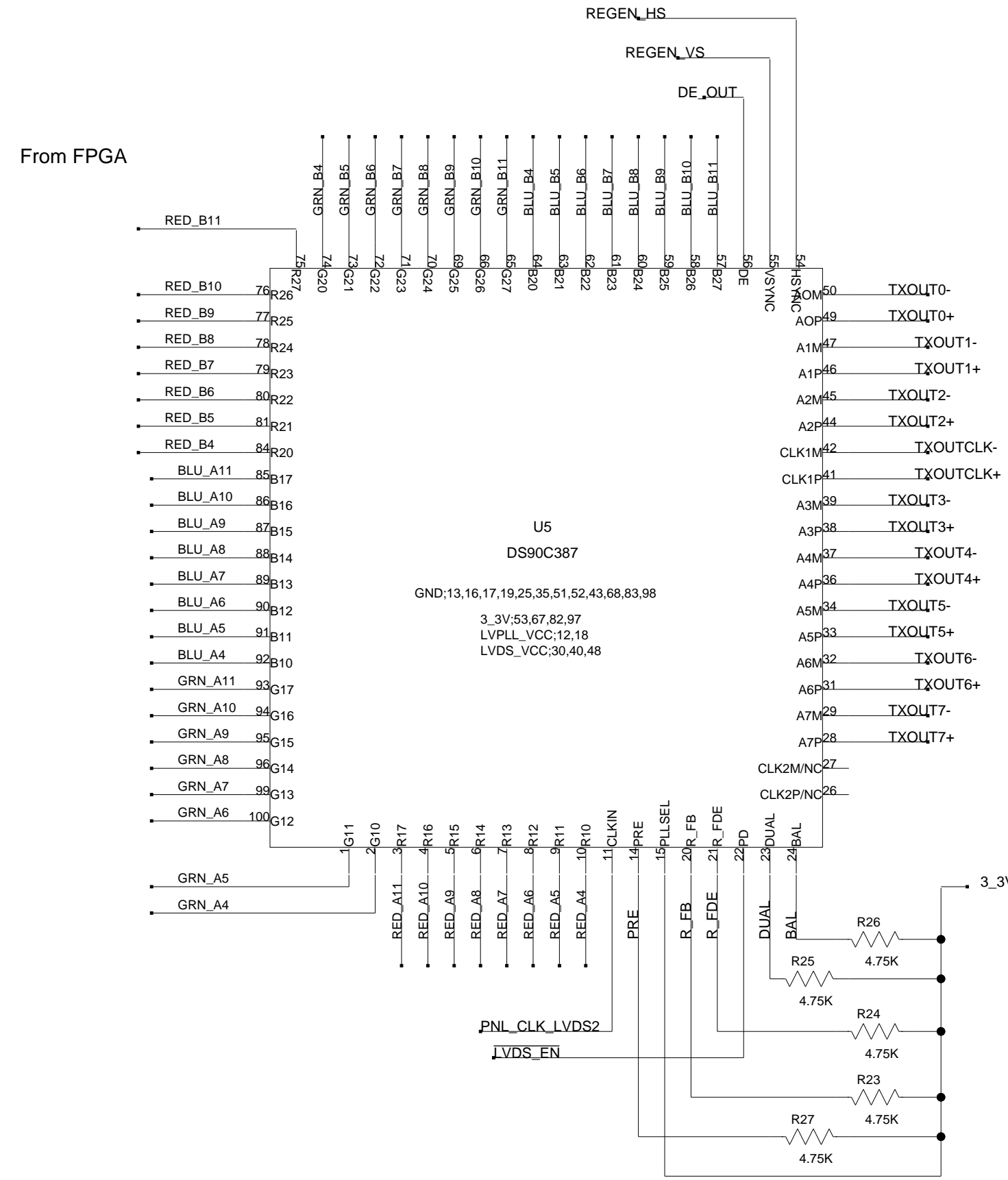
REVISIONS			
REV	DESCRIPTION	DATE	APPROVED
B	DVI now has it's own clock		



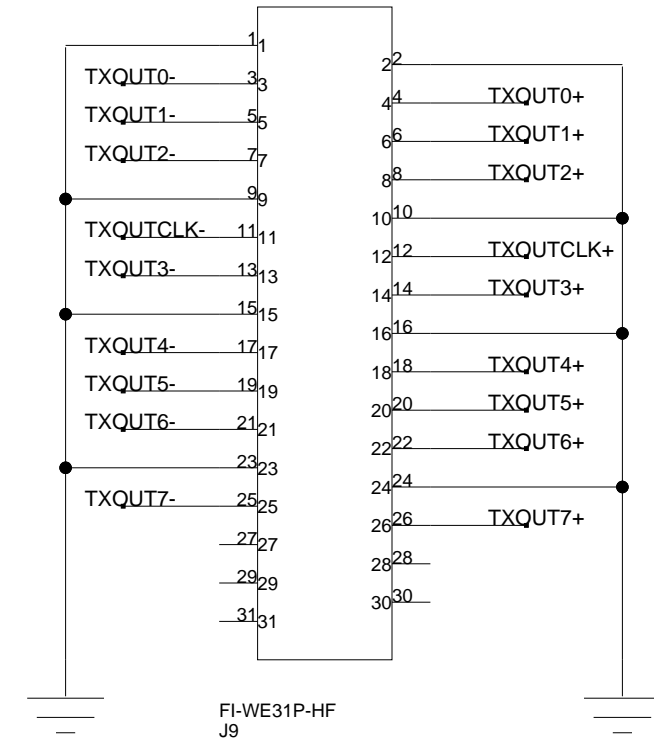
DVI OUTPUT

	<b>HSC GREENSBORO</b> 7910 TRIAD CENTER DRIVE GREENSBORO NC 27409	TITLE 10-BIT DISPLAY INTERFACE BOARD	
		DRAWING NUMBER GSO8273	REV A
DATE:	SHEET 3 OF 7	DRAWN BY: D. JONES	

REVISIONS			
REV	DESCRIPTION	DATE	APPROVED



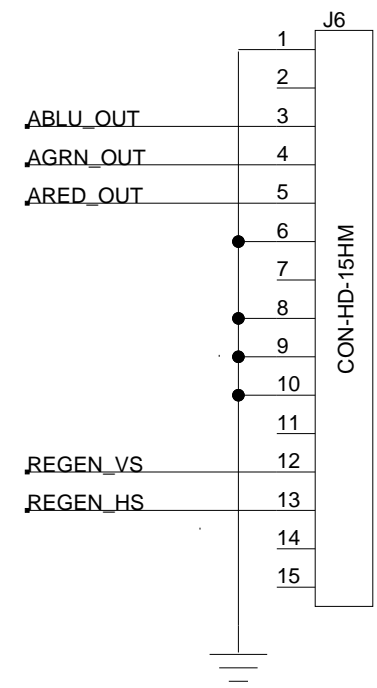
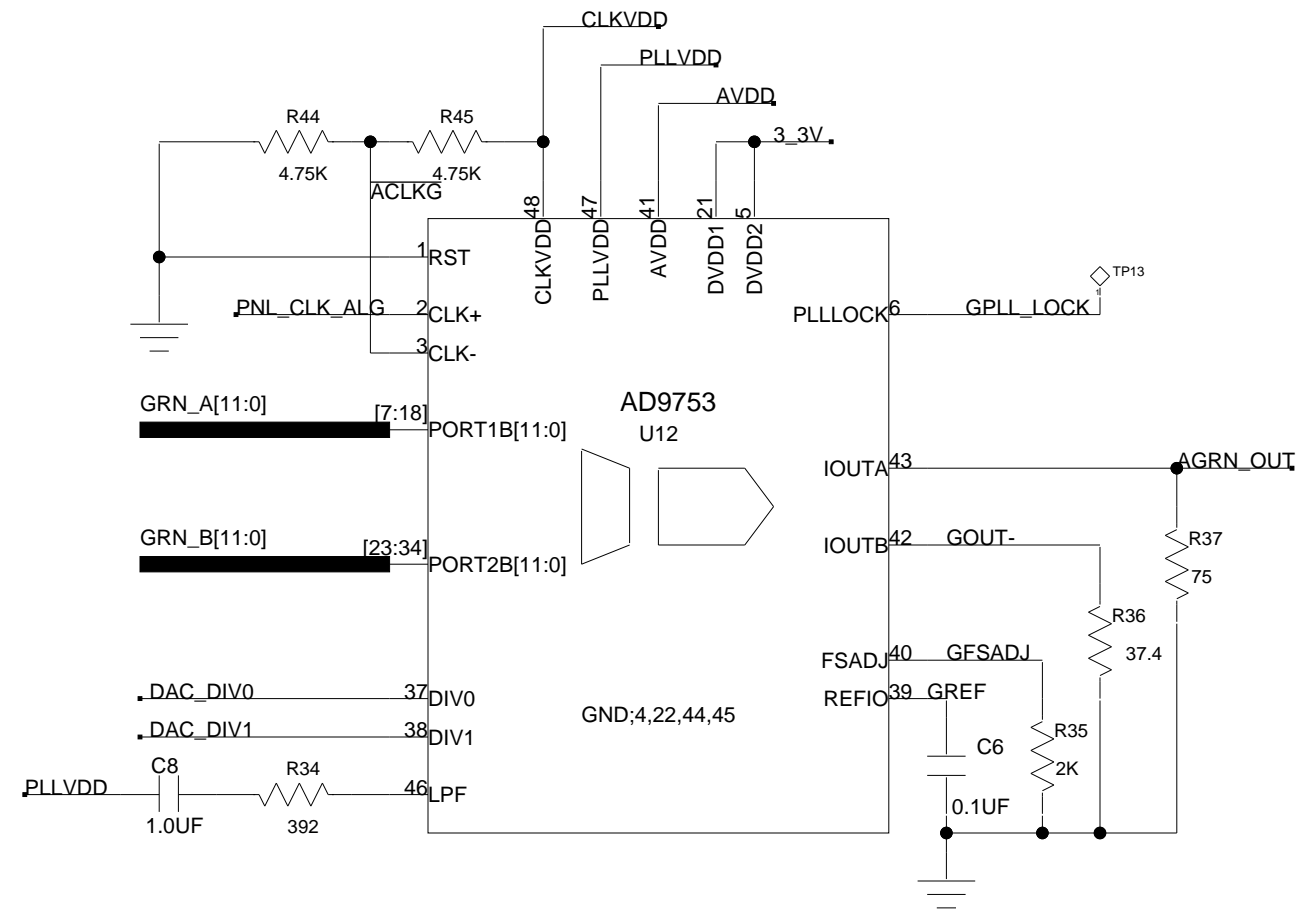
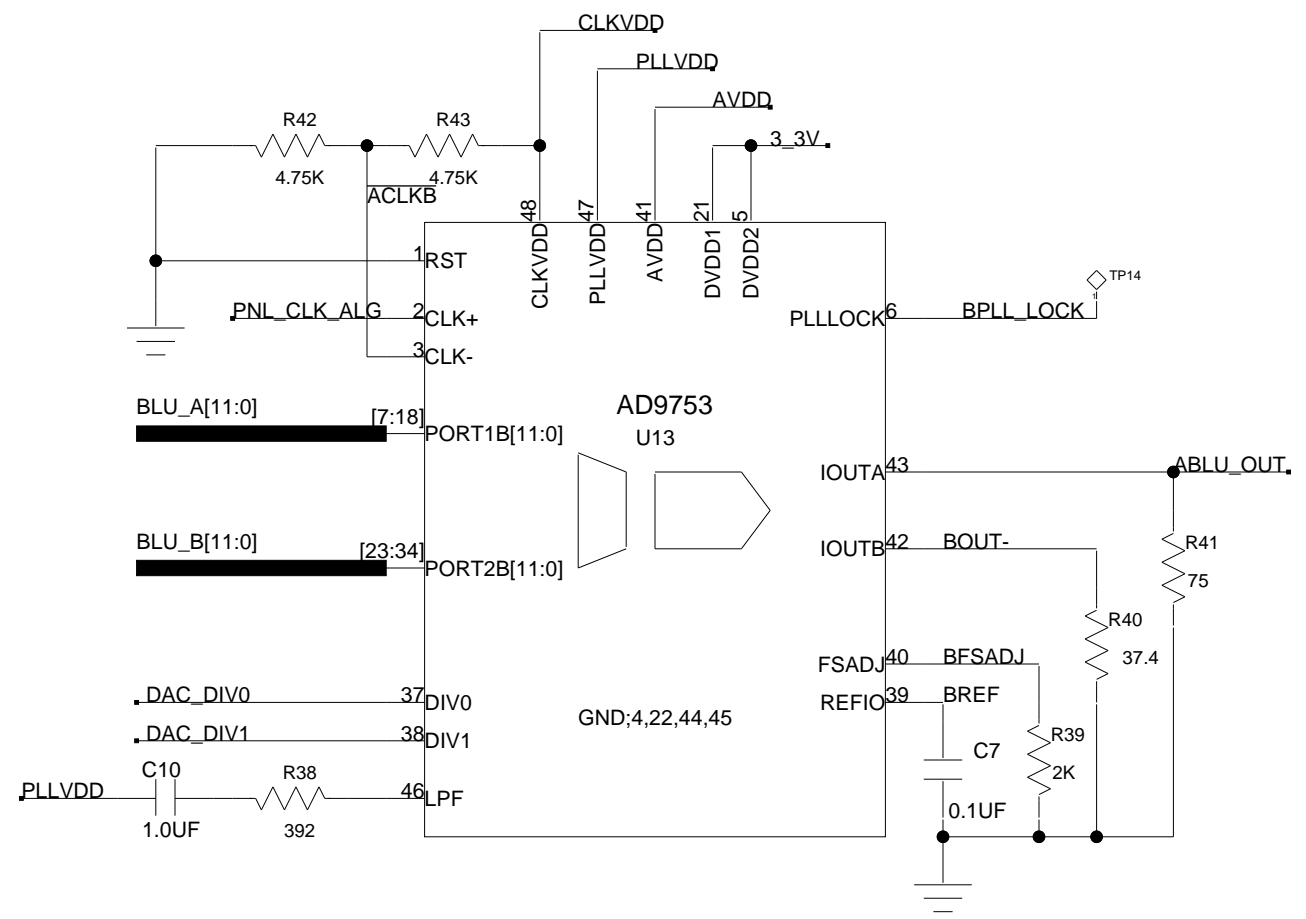
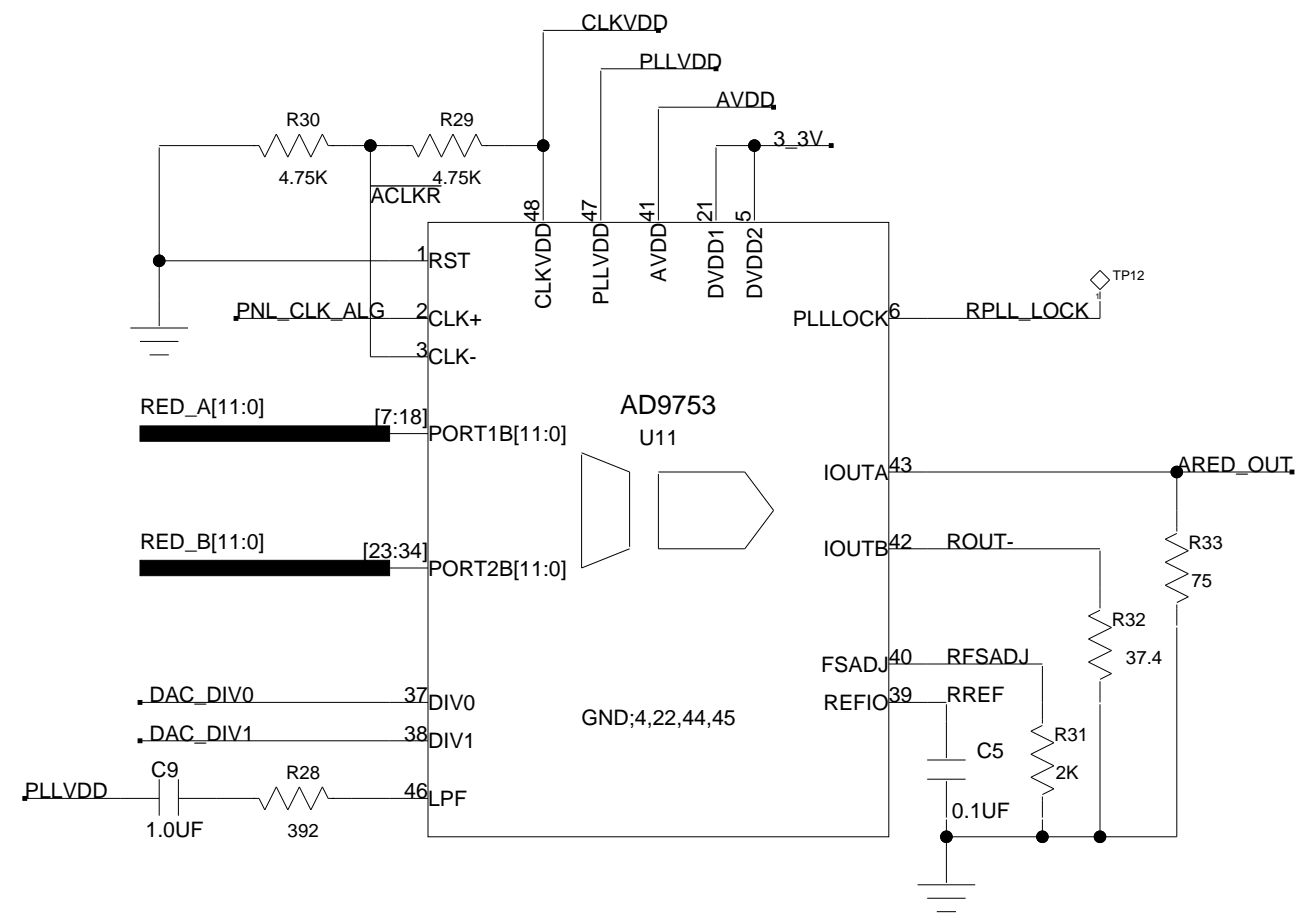
LVDS Output Connector



LVDS OUTPUT

	<b>HSC GREENSBORO</b> 7910 TRIAD CENTER DRIVE GREENSBORO NC 27409	TITLE	10-BIT DISPLAY INTERFACE BOARD
		DRAWING NUMBER	GSO8273
DATE:	SHEET 4 OF 7	DRAWN BY: D. JONES	REV A

REVISIONS			
REV	DESCRIPTION	DATE	APPROVED

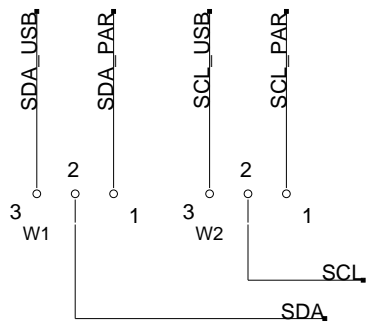
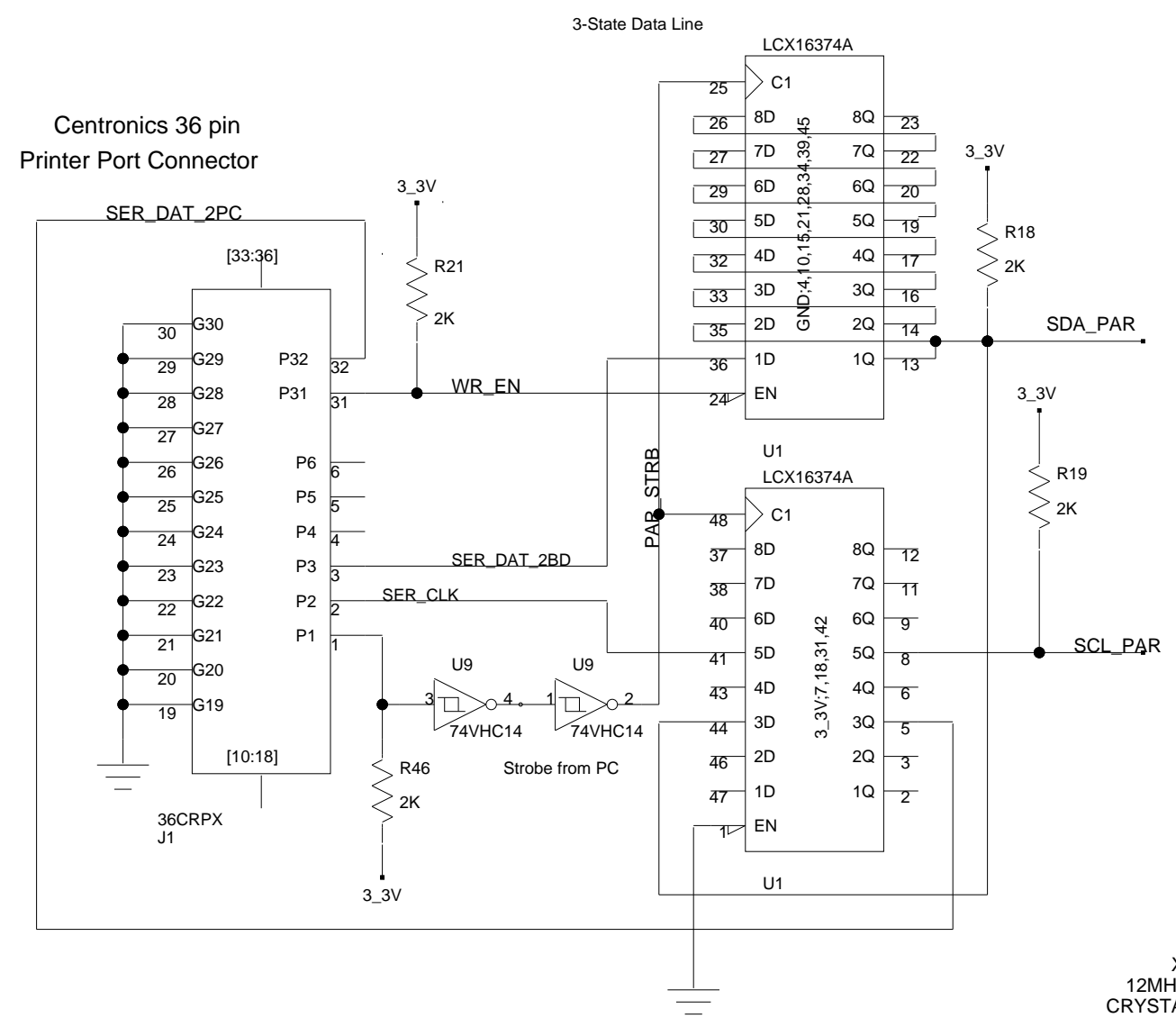


**ANALOG OUTPUT**

	<b>HSC GREENSBORO</b> 7910 TRIAD CENTER DRIVE GREENSBORO NC 27409	TITLE <b>10-BIT DISPLAY INTERFACE BOARD</b>	REV <b>A</b>
	DATE:	SHEET 5 OF 7	DRAWN BY: D. JONES

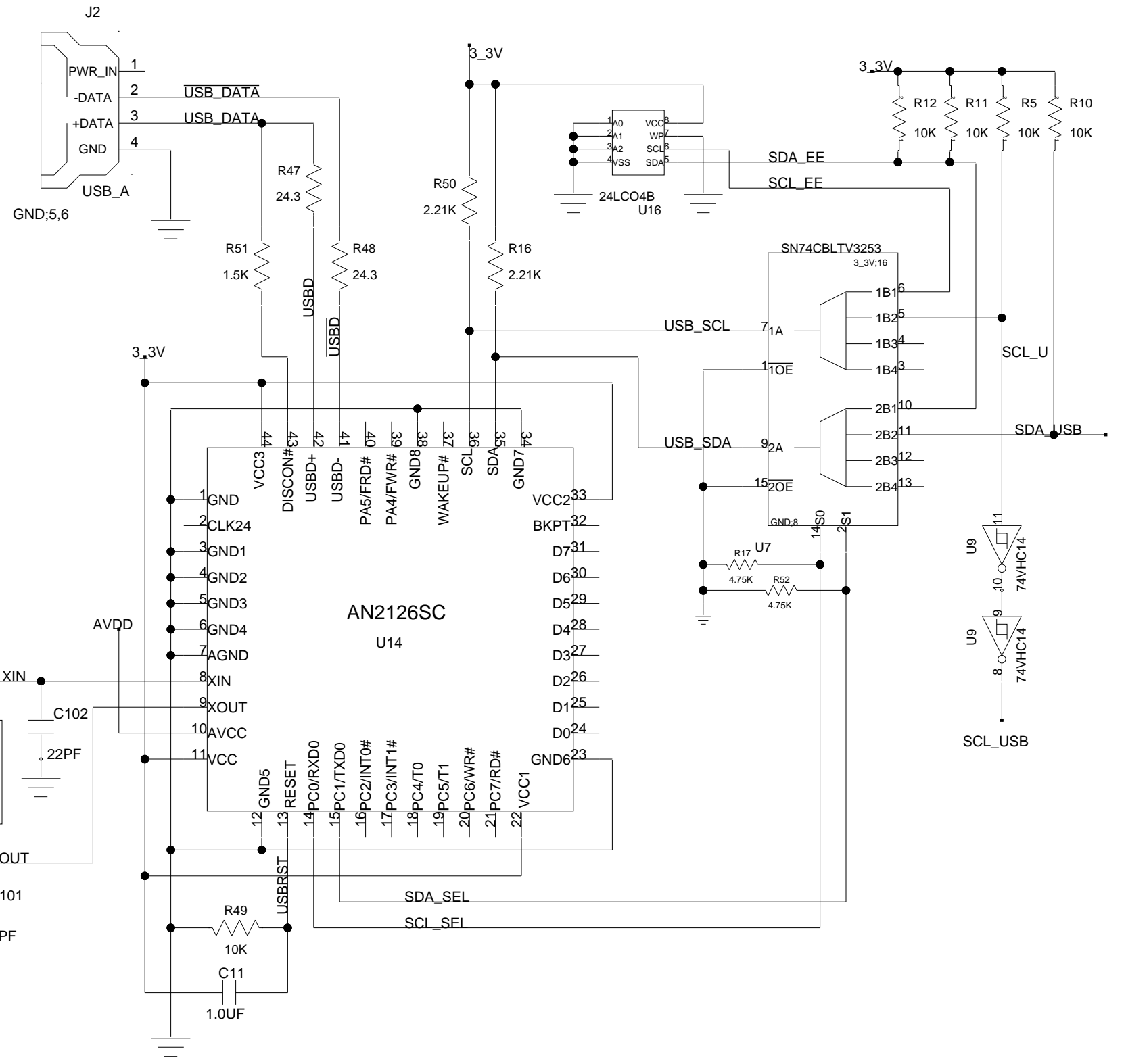
REVISIONS			
REV	DESCRIPTION	DATE	APPROVED

Serial Interface Circuit



NOTE: Place W1 and W2 in a row and add this text to the silkscreen.

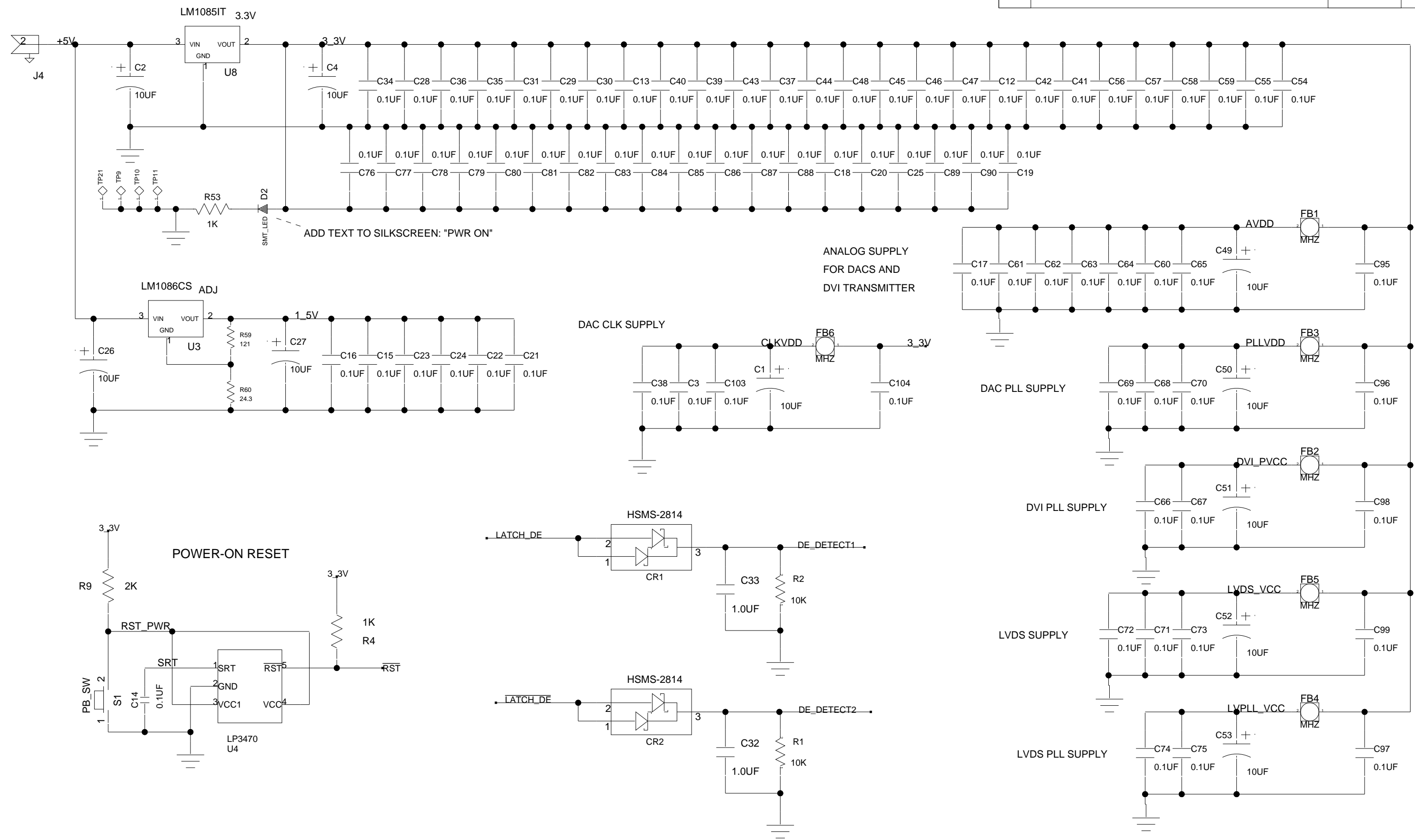
SOFTWARE INTERFACE SELECTION USING W1-W2:  
 SELECT USB: STRAPS BETWEEN PINS 2 & 3  
 SELECT PARALLEL: STRAPS BETWEEN PINS 1 & 2



PARALLEL & USB INTERFACE

	<b>HSC GREENSBORO</b> 7910 TRIAD CENTER DRIVE GREENSBORO NC 27409	TITLE	10-BIT DISPLAY INTERFACE BOARD
		DRAWING NUMBER	GSO8273
DATE:	SHEET 6 OF 7	DRAWN BY: D. JONES	REV A

REVISIONS			
REV	DESCRIPTION	DATE	APPROVED



ADD TEXT TO SILKSCREEN: "PWR ON"

ANALOG SUPPLY FOR DACS AND DVI TRANSMITTER

POWER-ON RESET



**HSC GREENSBORO**  
7910 TRIAD CENTER DRIVE  
GREENSBORO NC 27409

TITLE **DISPLAY INTERFACE BOARD**

DRAWING NUMBER **GSO8273**

DATE: SHEET 7 OF 7 DRAWN BY: D. JONES

REV **A**