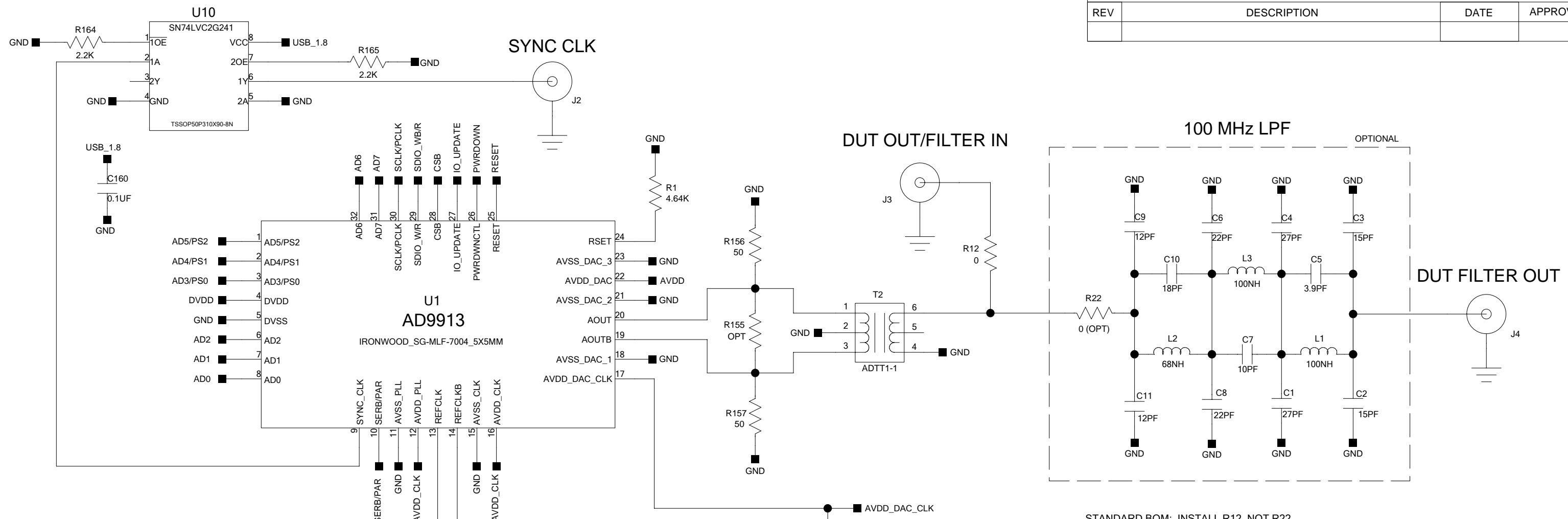
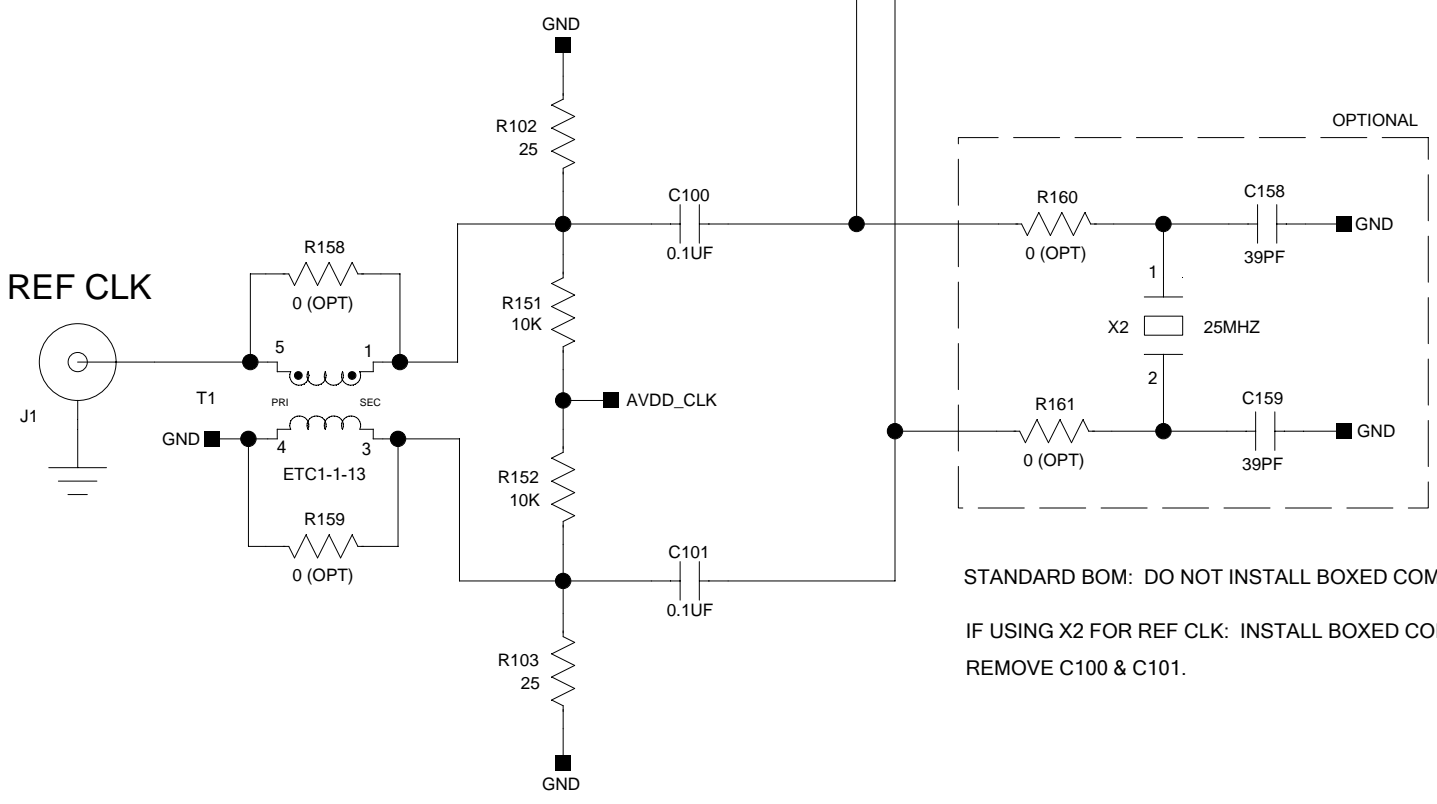


REVISIONS			
REV	DESCRIPTION	DATE	APPROVED

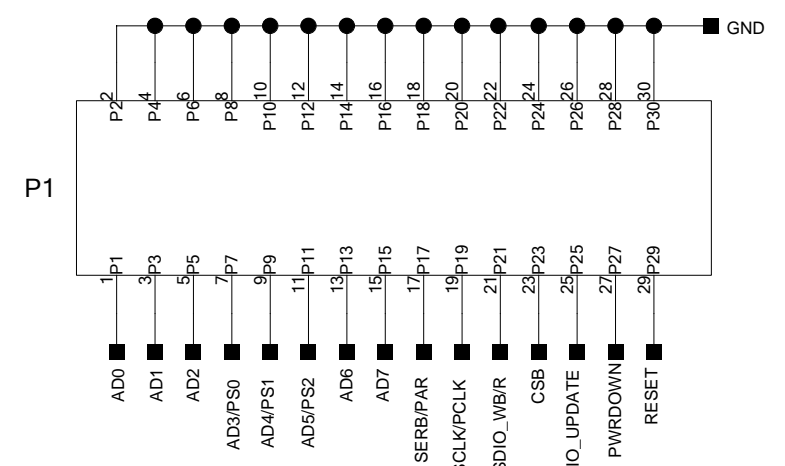
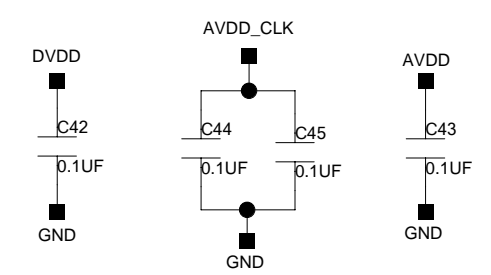


STANDARD BOM: INSTALL R12, NOT R22.  
 IF USING FILTER: INSTALL BOXED COMPONENTS AND REMOVE R12.



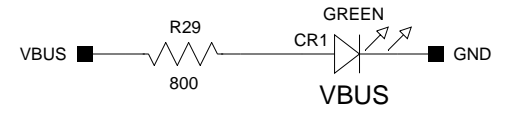
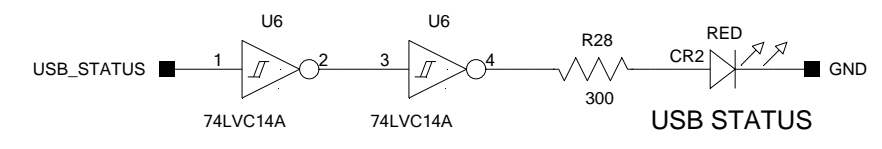
STANDARD BOM: DO NOT INSTALL BOXED COMPONENTS.  
 IF USING X2 FOR REF CLK: INSTALL BOXED COMPONENTS AND REMOVE C100 & C101.

### DUT BYPASS

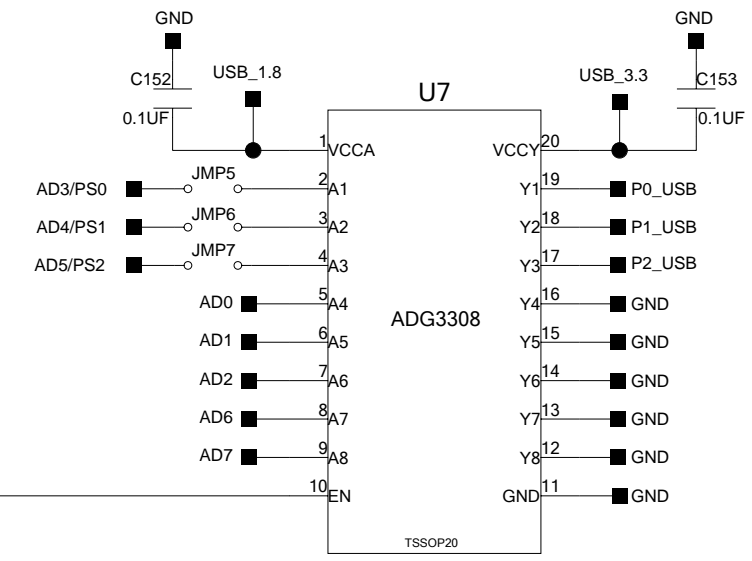
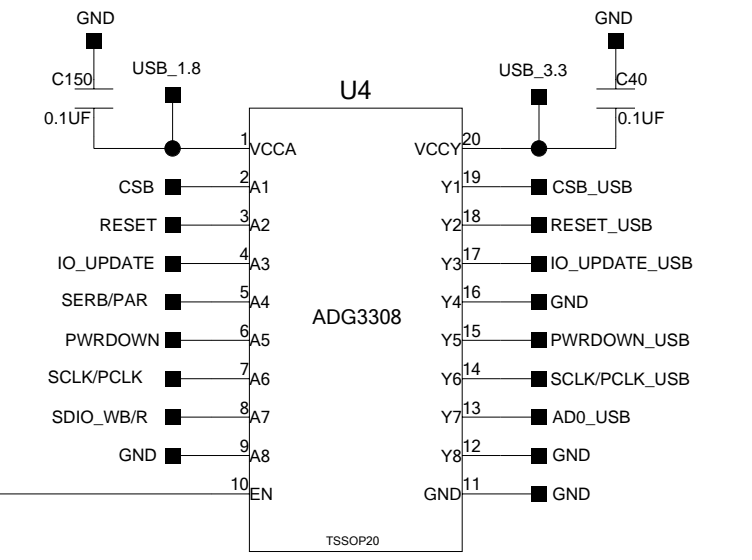
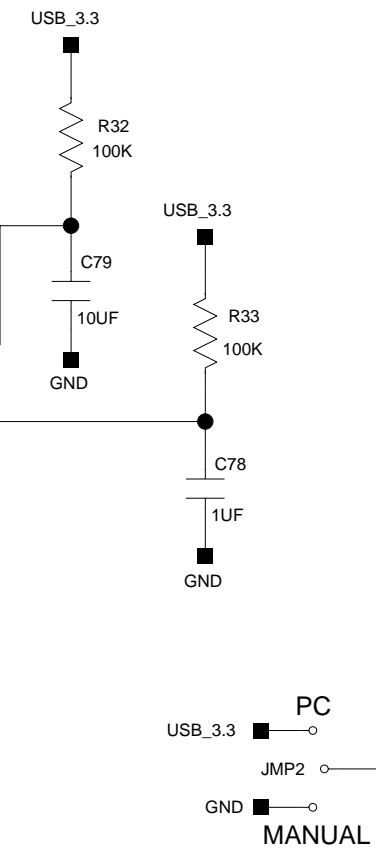
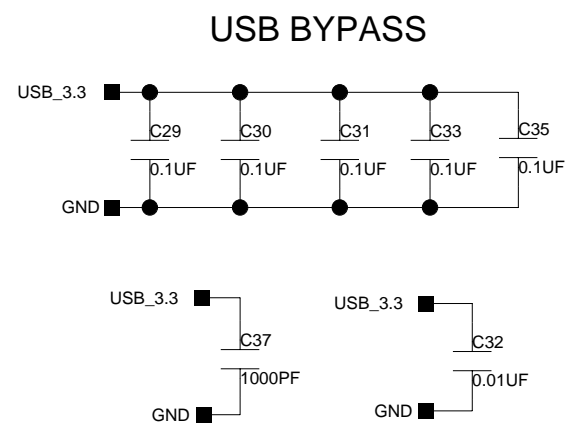
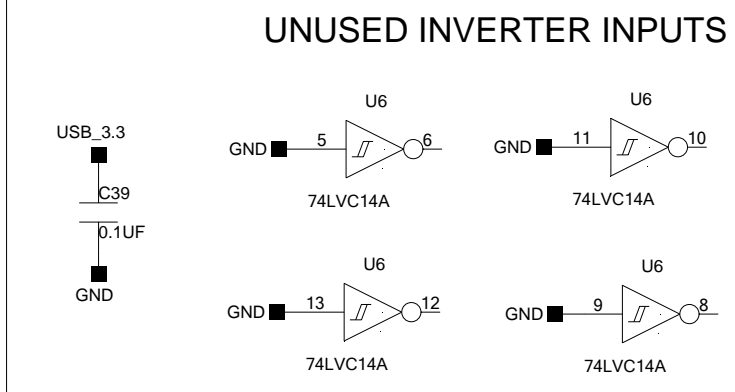
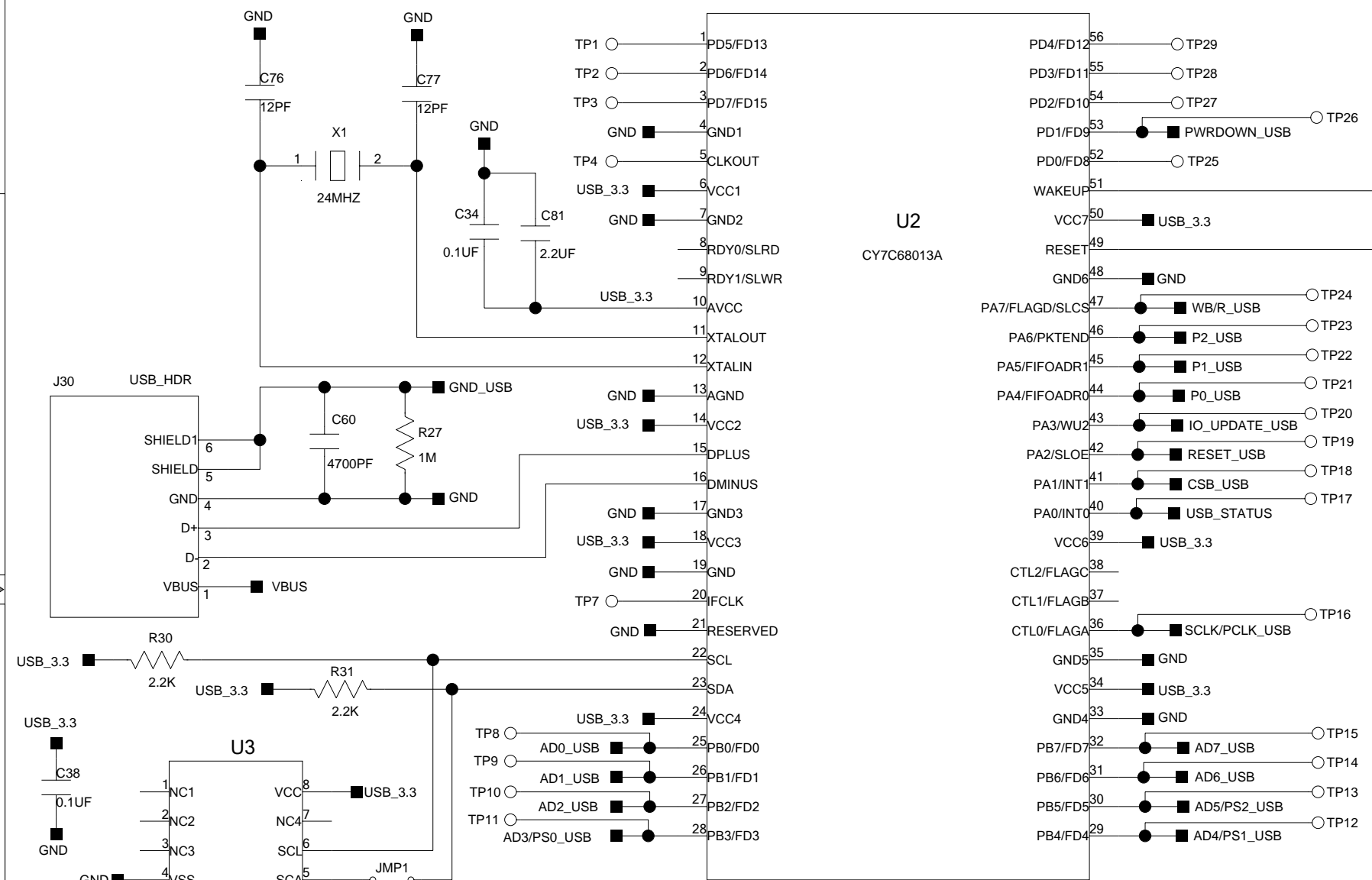


### I/O HEADER PROBING/EXTERNAL CONTROL

REVISIONS			
REV	DESCRIPTION	DATE	APPROVED



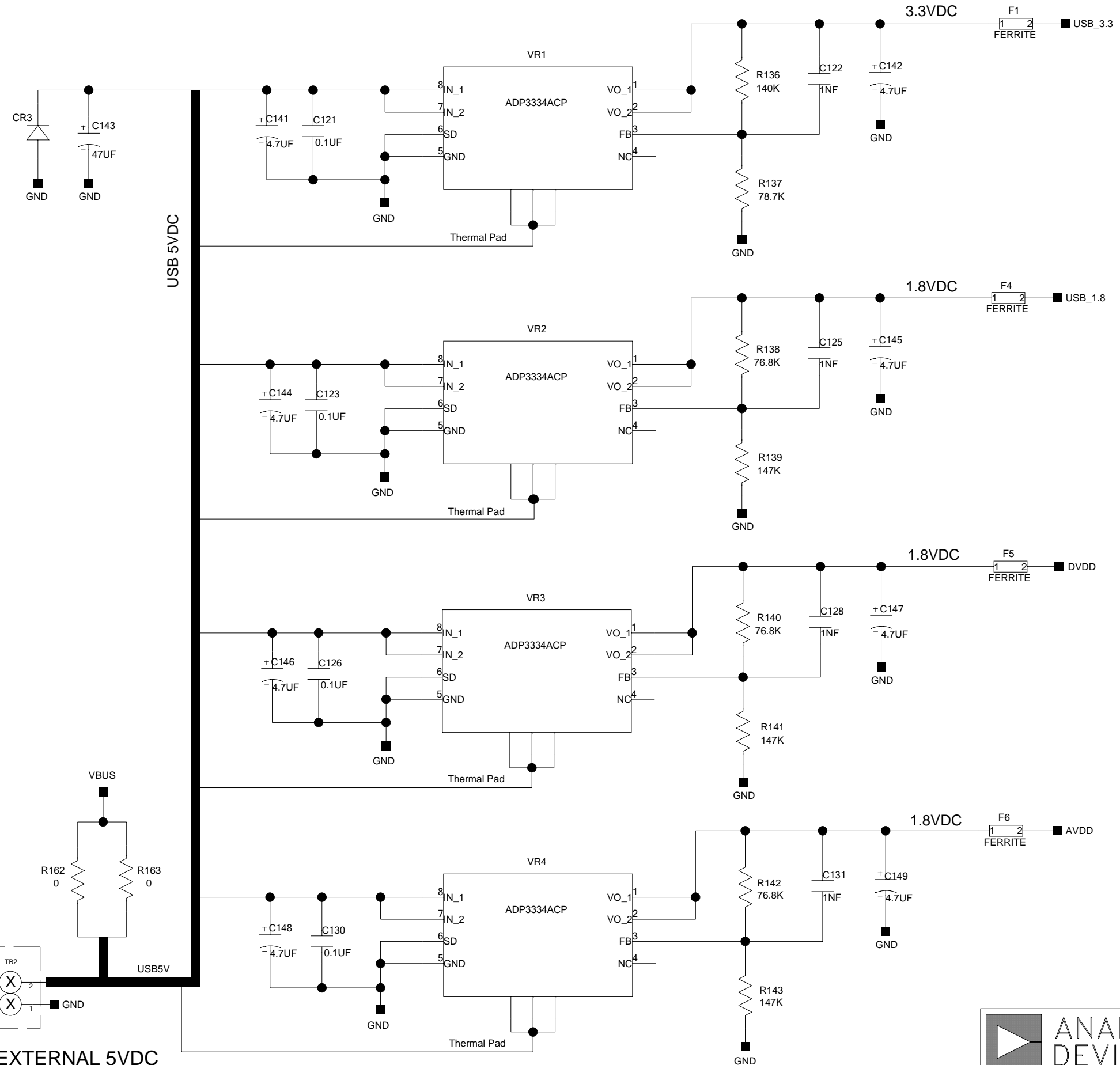
**USB I/O**



	<b>HSC GREENSBORO</b> 7910 TRIAD CENTER DRIVE GREENSBORO NC 27409	<b>TITLE</b> <b>AD9913 EVALUATION BOARD</b>	
		DATE: 20 JUL 2007	SHEET 2 OF 3

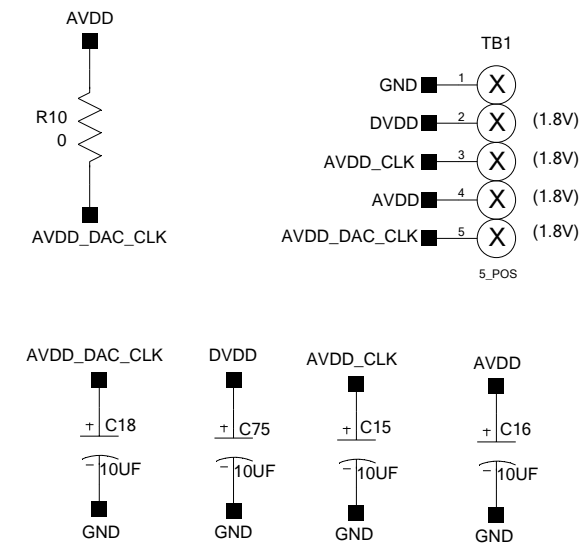
REVISIONS			
REV	DESCRIPTION	DATE	APPROVED

### LDO REGULATORS

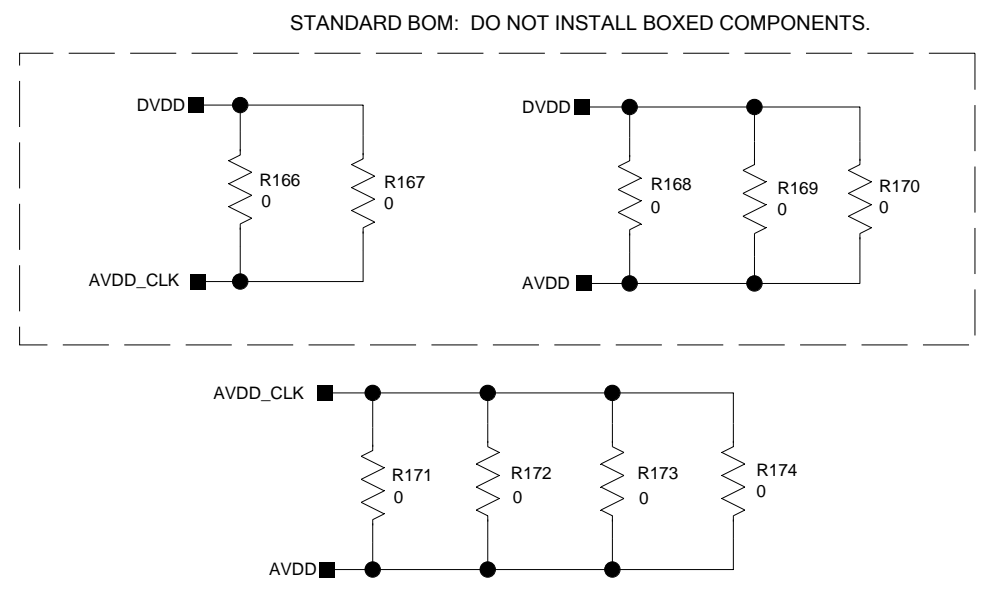


**ATTENTION!**  
 IF USING AN EXTERNAL POWER SUPPLY ON TB1 (INSTEAD OF LDO PER STANDARD BOM):  
 REMOVE CORRESPONDING LDO FERRITE FIRST.

### OPTIONAL EXTERNAL POWER SUPPLIES



### OPTIONAL POWER PLANE STITCHING



STANDARD BOM: DO NOT INSTALL BOXED COMPONENTS.

OPT. EXTERNAL 5VDC

	<b>HSC GREENSBORO</b> 7910 TRIAD CENTER DRIVE GREENSBORO NC 27409	<b>TITLE</b> <b>AD9913 EVALUATION BOARD</b>	
	DATE: 21 APR 2008	SHEET 3 OF 3	DRAWN BY: W. CLARK