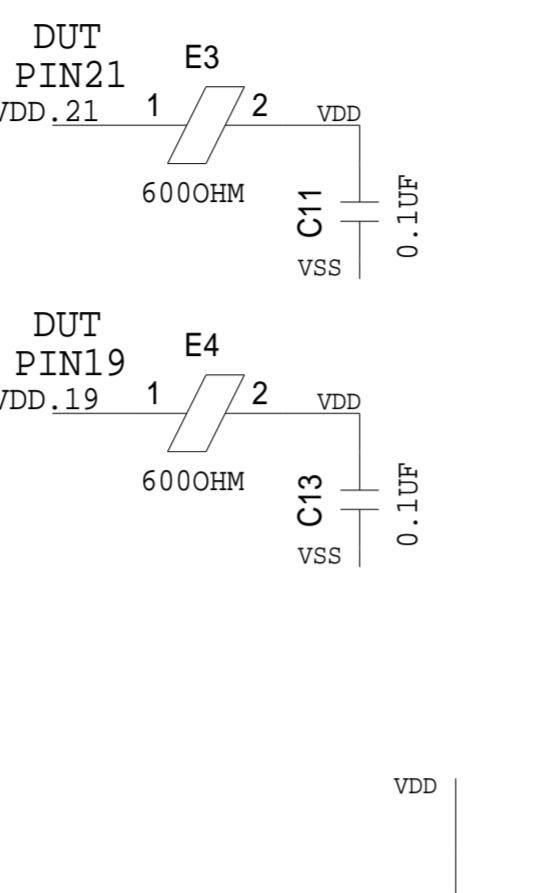
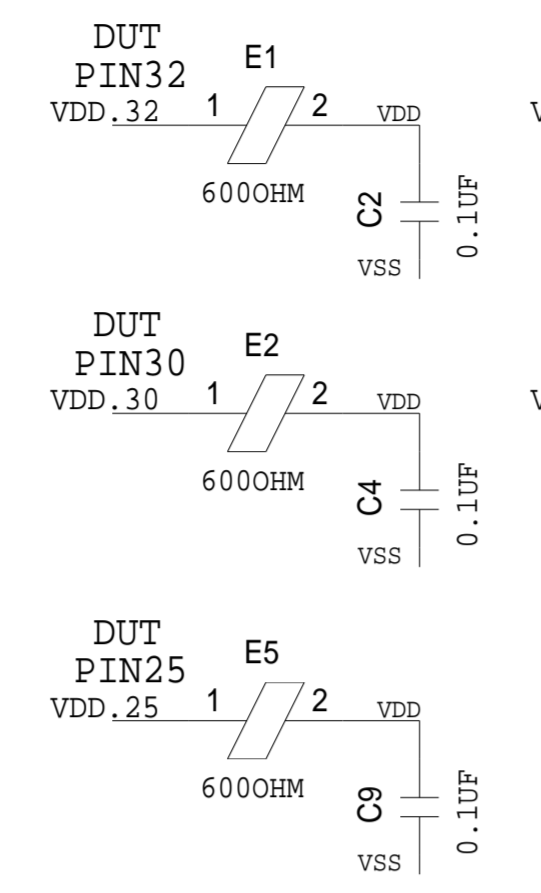
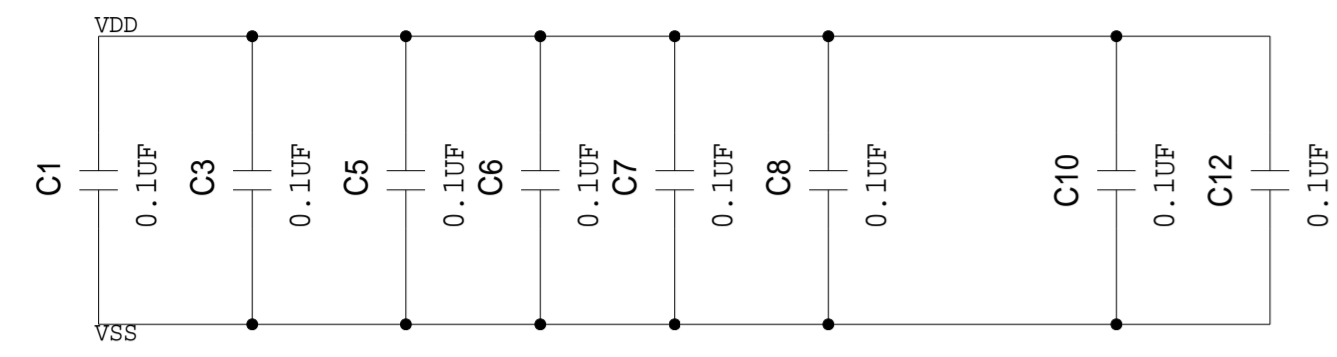


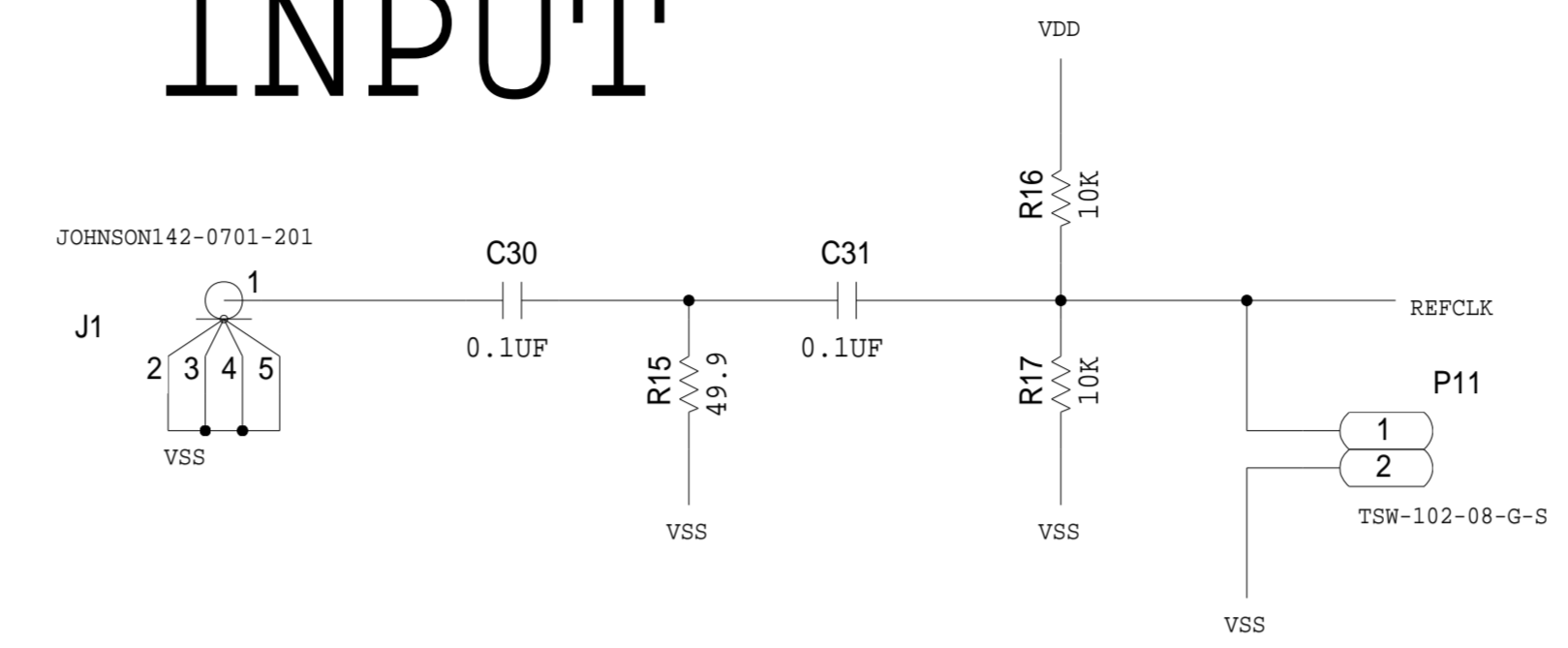
REVISIONS			
REV	DESCRIPTION	DATE	APPROVED
A	9577CE01A ADDED E1, E2, E3, E4	02-24-2012	R.H.

CHANGED STACKUP TO 6 LAYERS .005 GND PLANE FOR POWER

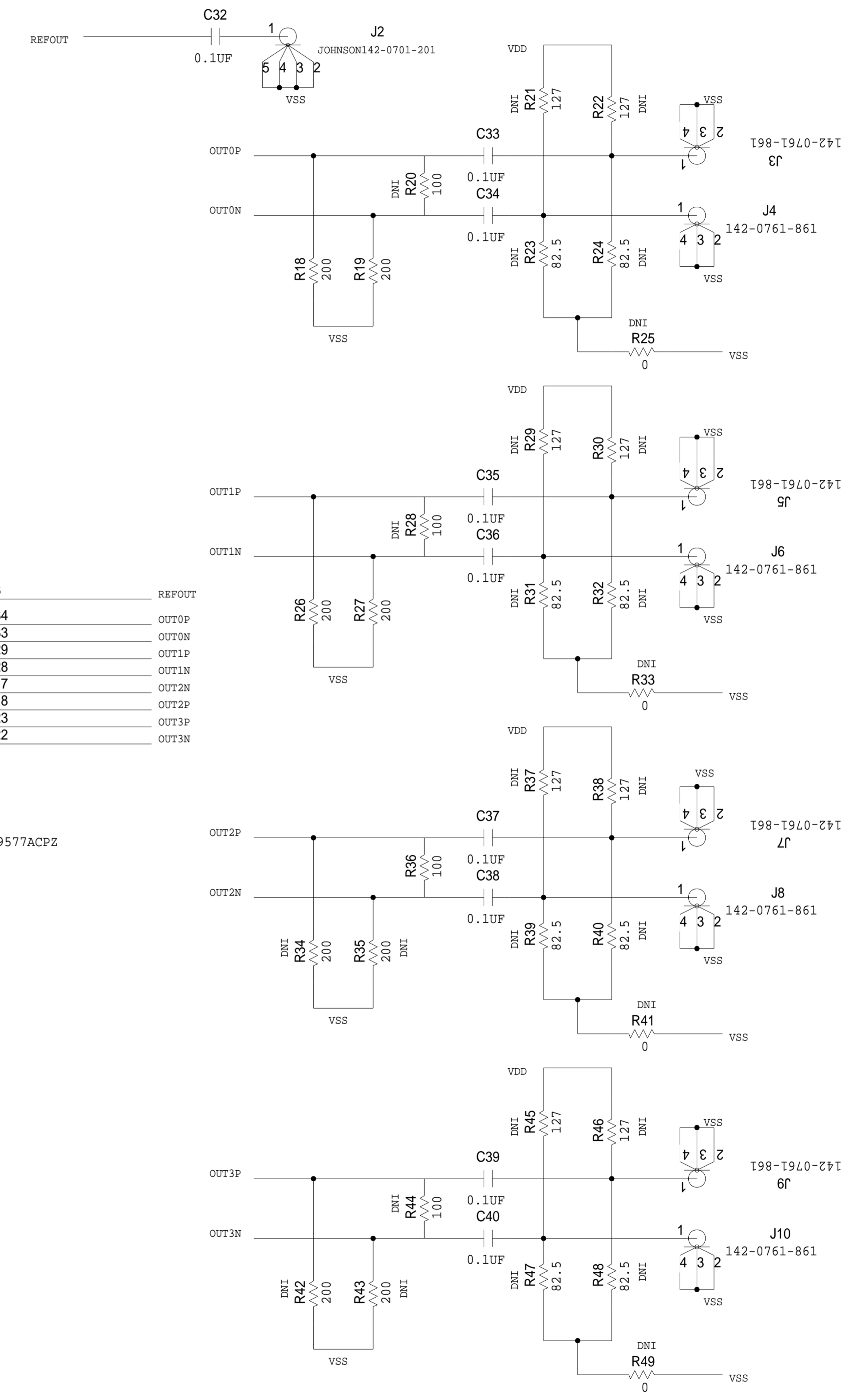
# BYPASS CAPS



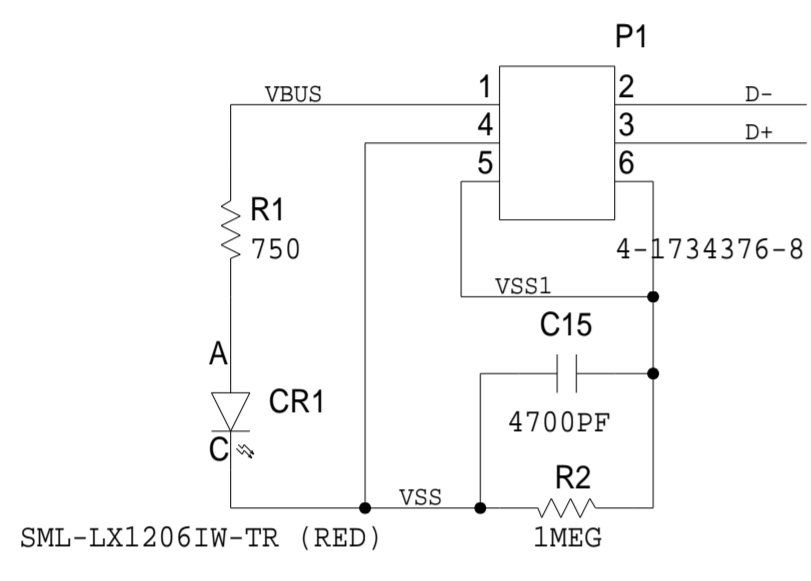
# INPUT



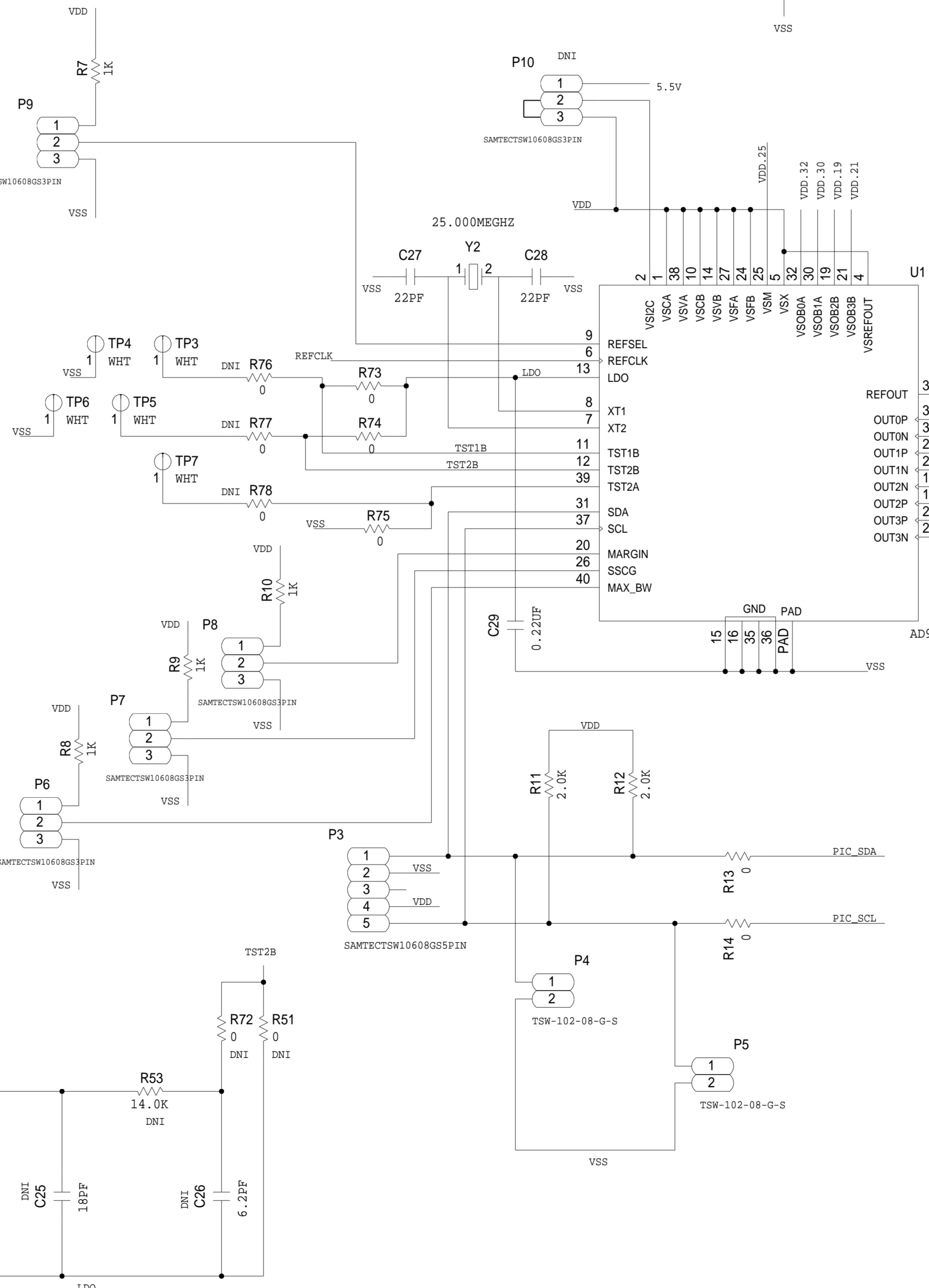
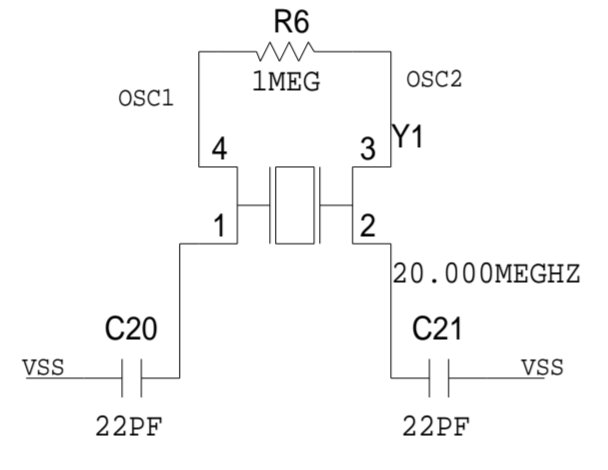
# OUTPUTS



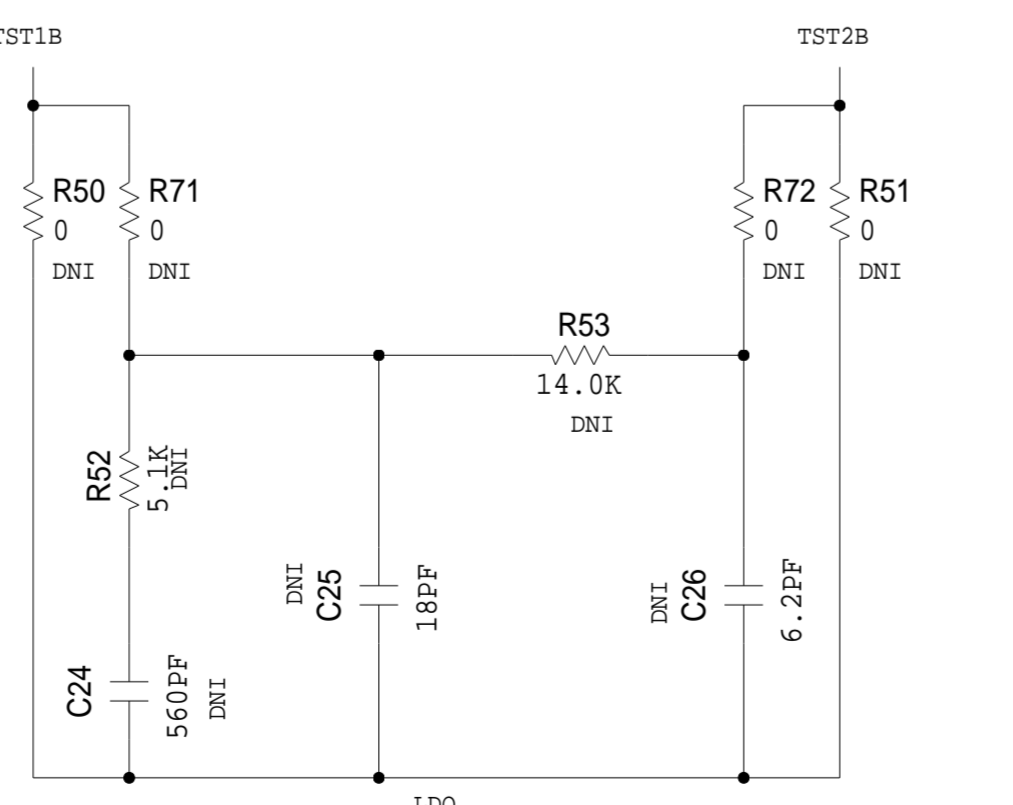
# USB CONNECTOR



# I2C INTERFACE



# OPTIONAL EXT PLL2 FILTER

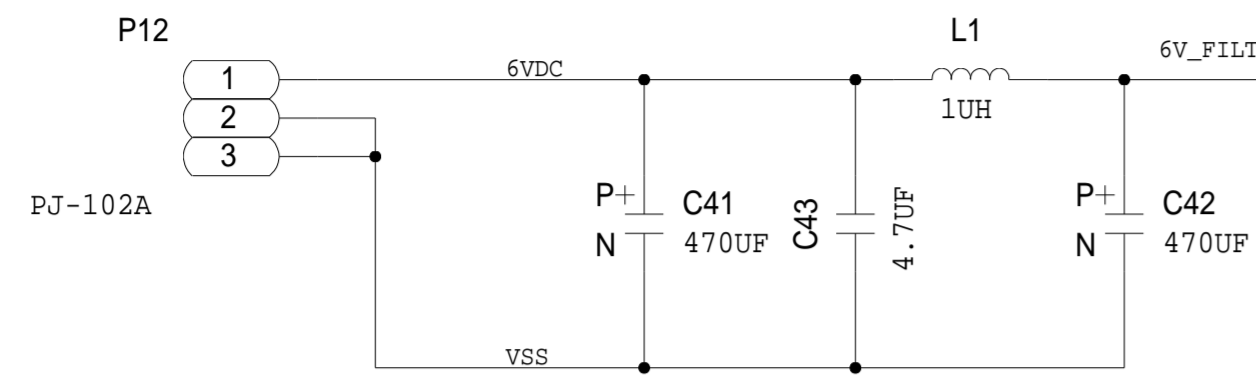


SCHEMATIC			
<DRAWING_TITLE_HEADER> AD9577 ENGINEERING EVALUATION			
DESIGN VIEW	DRAWING NO.		REV
<DESIGN_VIEW>	9577CE01		B
PTD ENGINEER	SCALE	SHEET	OF
R. HUNTLEY	D NONE	1	2

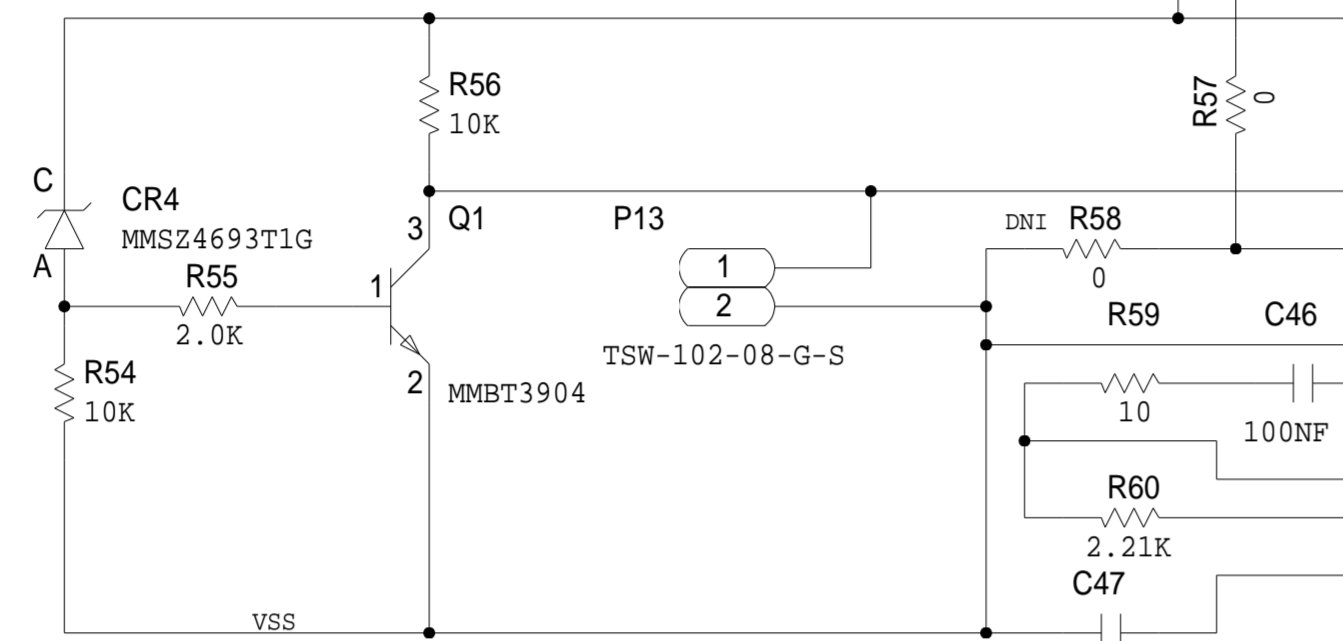
# POWER MANAGEMENT SECTION

REVISIONS			
REV	DESCRIPTION	DATE	APPROVED

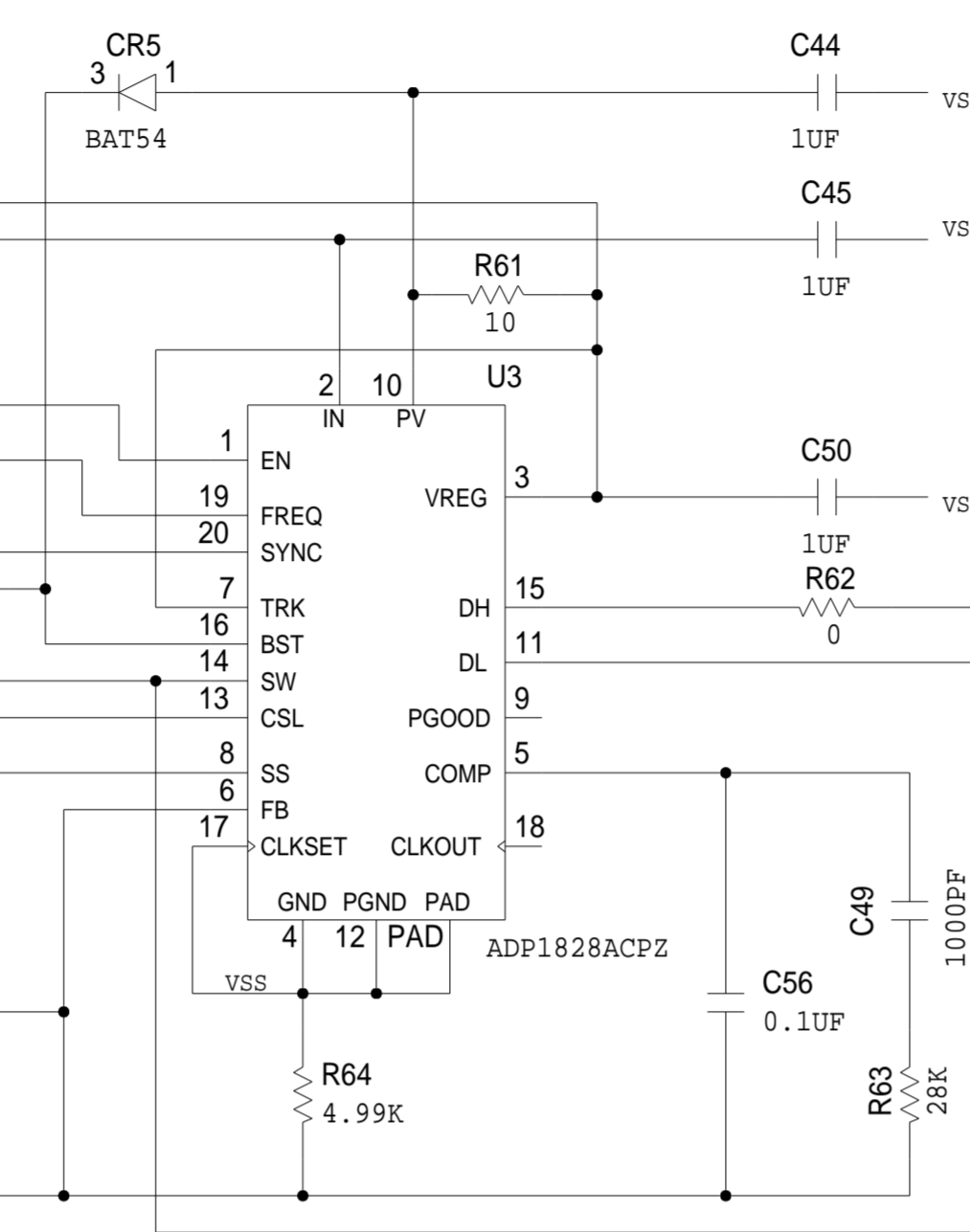
## 6V WALL WART CONNECTION



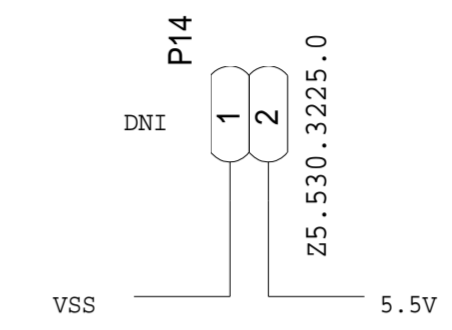
## 8.5V OVER PROTECTION CIRCUIT



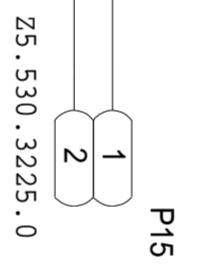
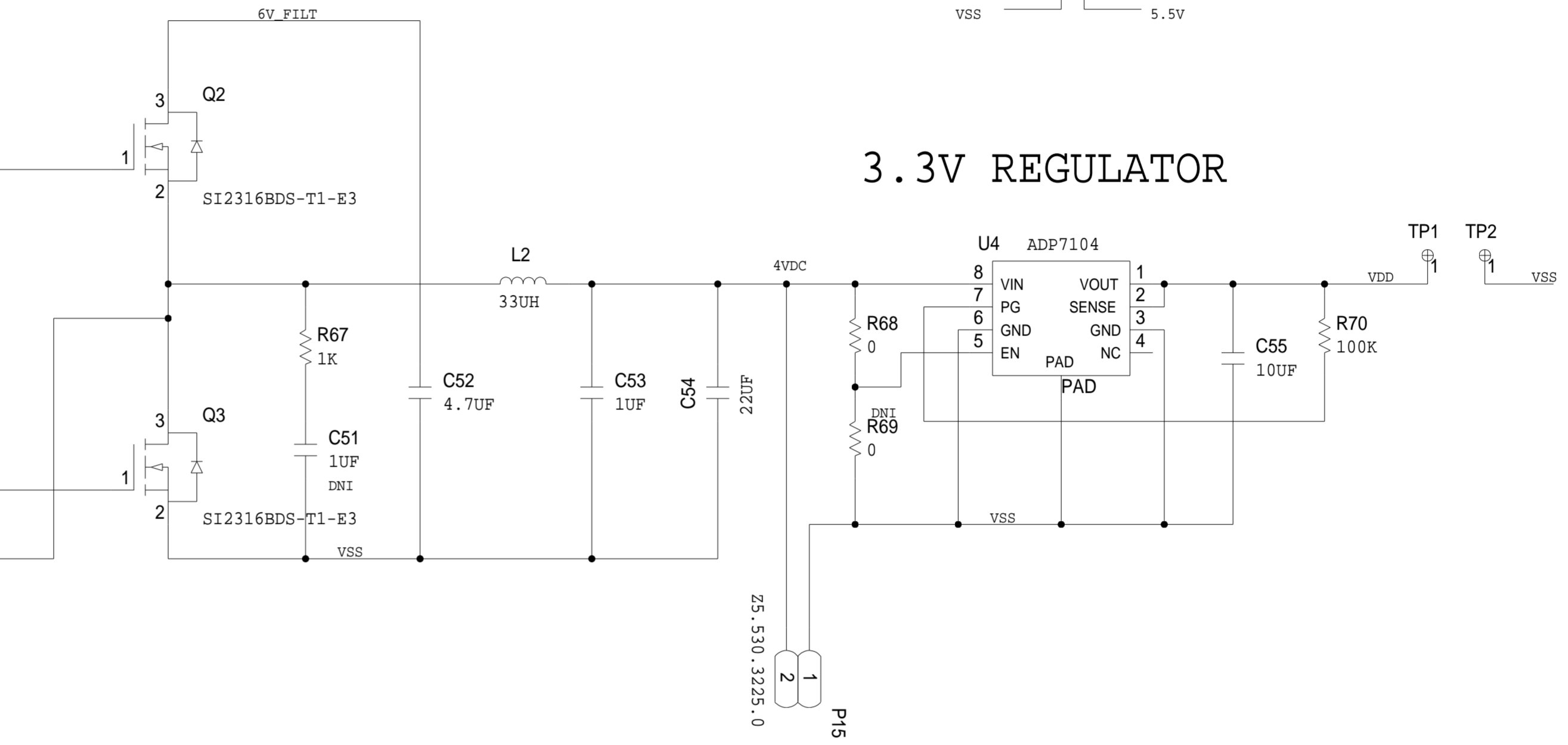
## DC TO DC STEP DOWN



## 5.5V TO BLOW FUSE



## 3.3V REGULATOR



	SCHEMATIC		
	<DRAWING_TITLE_HEADER>		
	AD9577 ENGINEERING EVALUATION		
	DESIGN VIEW <DESIGN_VIEW>	DRAWING NO. 9577CE01	REV B
PTD ENGINEER R. HUNTLEY	SIZE D	SCALE NONE	SHEET 2 OF 2