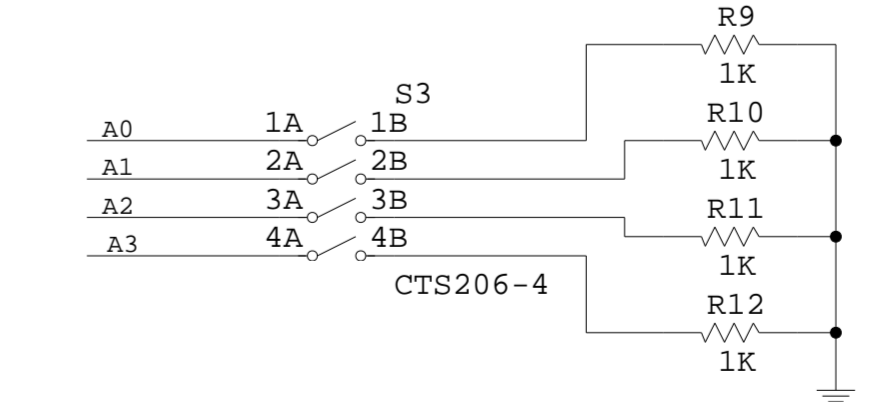
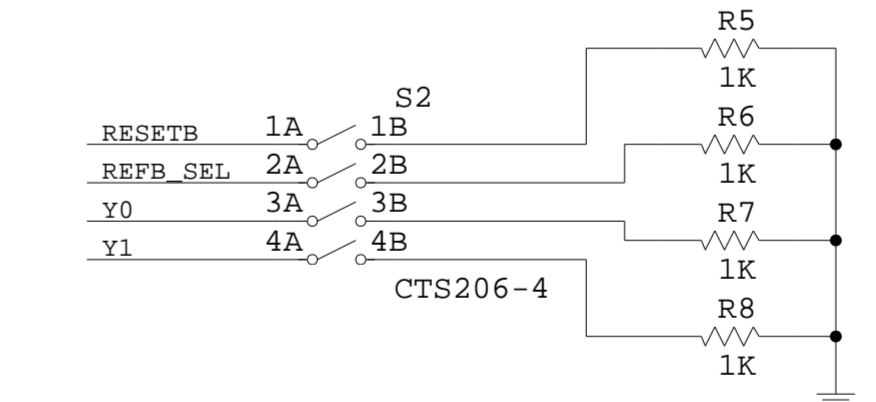
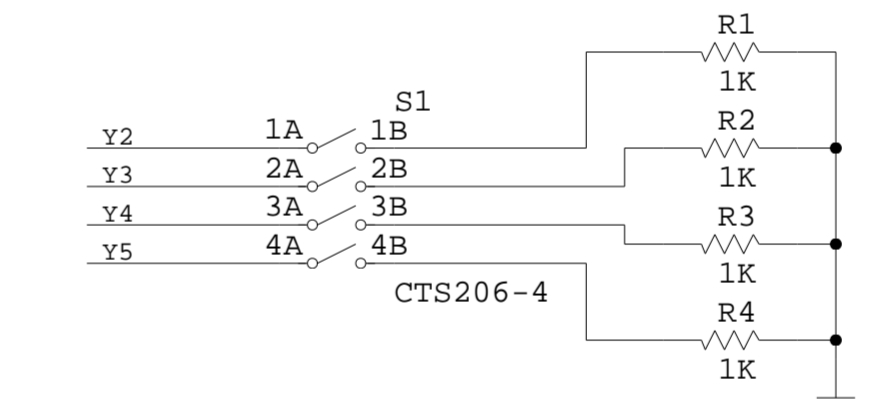
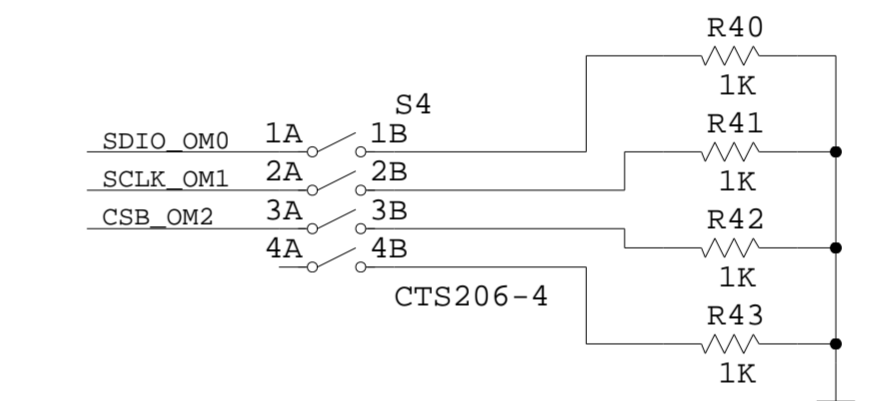
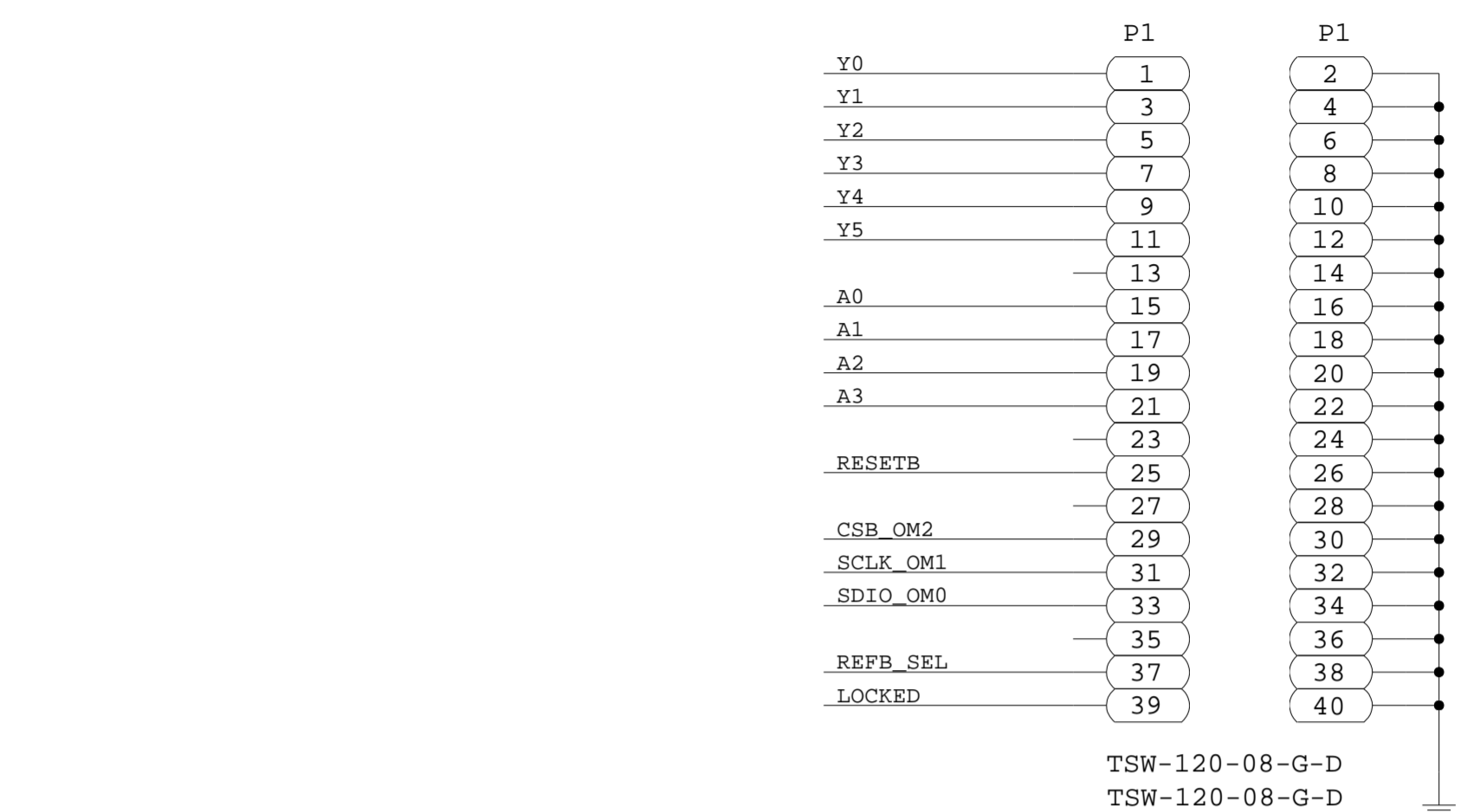
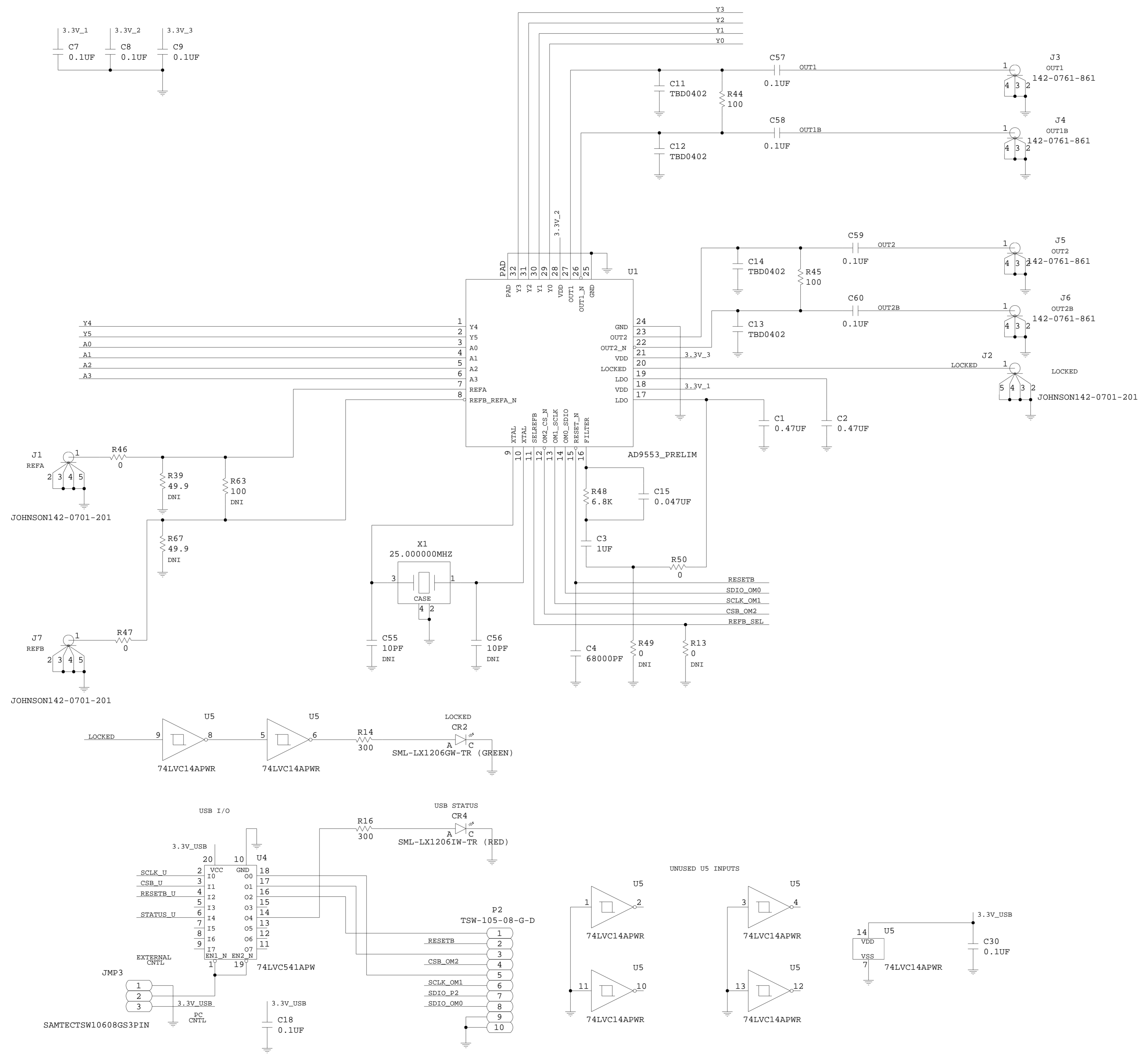
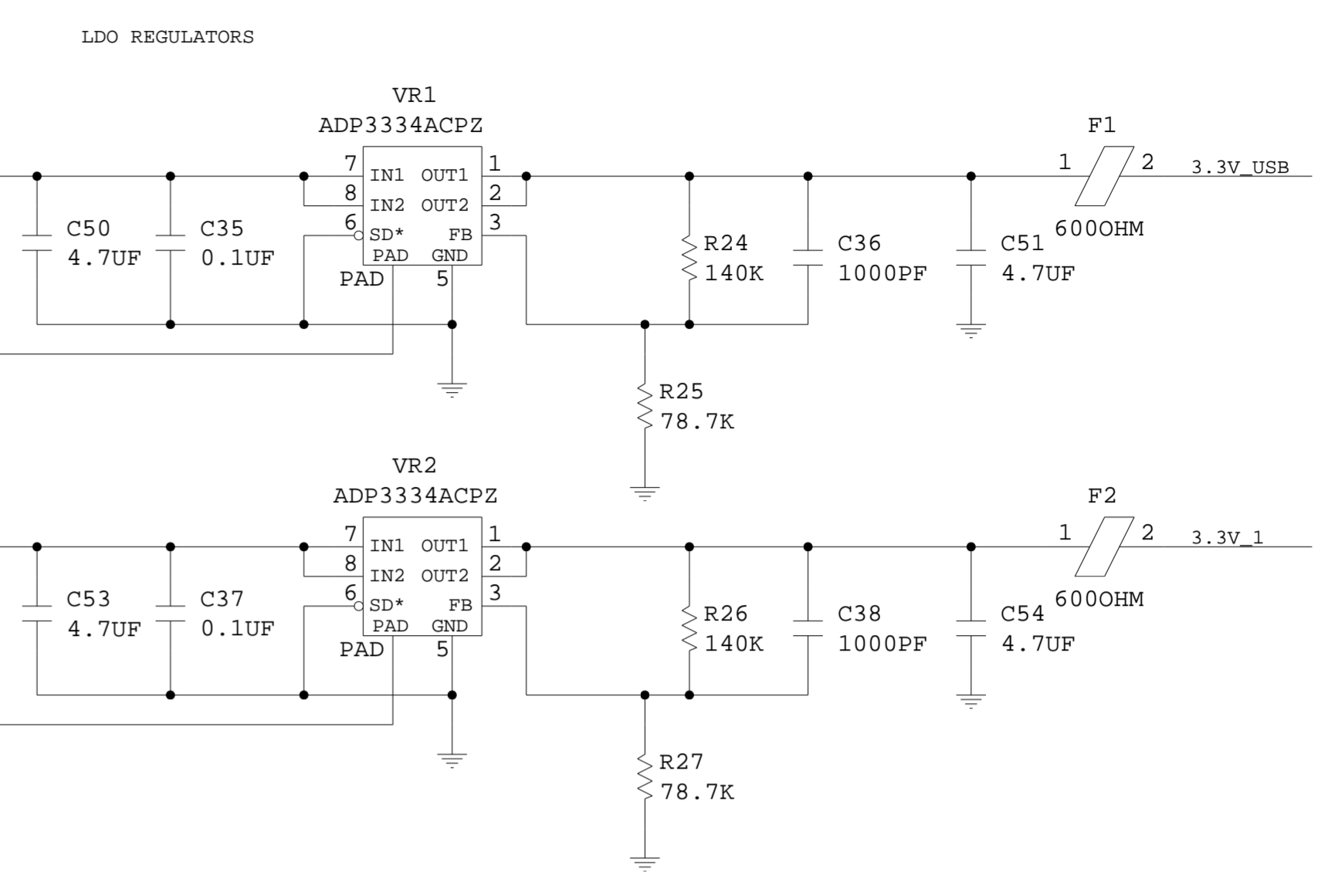
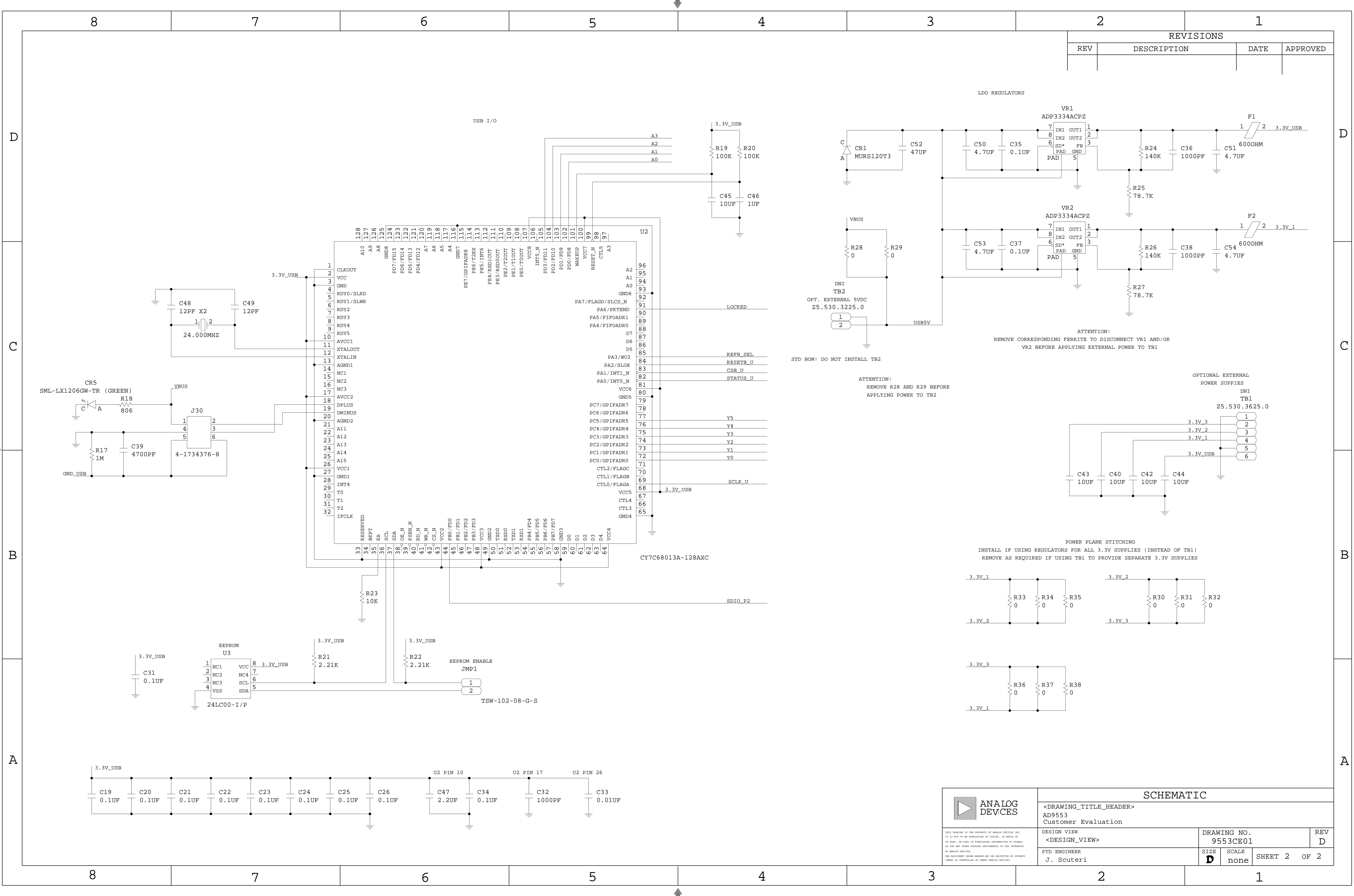


REVISIONS			
REV	DESCRIPTION	DATE	APPROVED



<p>THIS DRAWING IS THE PROPERTY OF ANALOG DEVICES INC. IT IS TO BE USED IN CONNECTION WITH THE EQUIPMENT OR FOR ANY OTHER PURPOSES WITHOUT THE WRITTEN PERMISSION OF ANALOG DEVICES. THE EQUIPMENT DESIGN HEREON MAY BE PROTECTED BY PATENTS OWNED OR CONTROLLED BY ANALOG DEVICES INC.</p>	SCHEMATIC		
	<DRAWING_TITLE_HEADER> AD9553 Customer Evaluation		
	DESIGN VIEW	DRAWING NO.	REV
	<DESIGN_VIEW>	9553CE01	D
PTD ENGINEER	SIZE	SCALE	SHEET 1 OF 2
J. Scuteri	D	none	

REVISIONS			
REV	DESCRIPTION	DATE	APPROVED

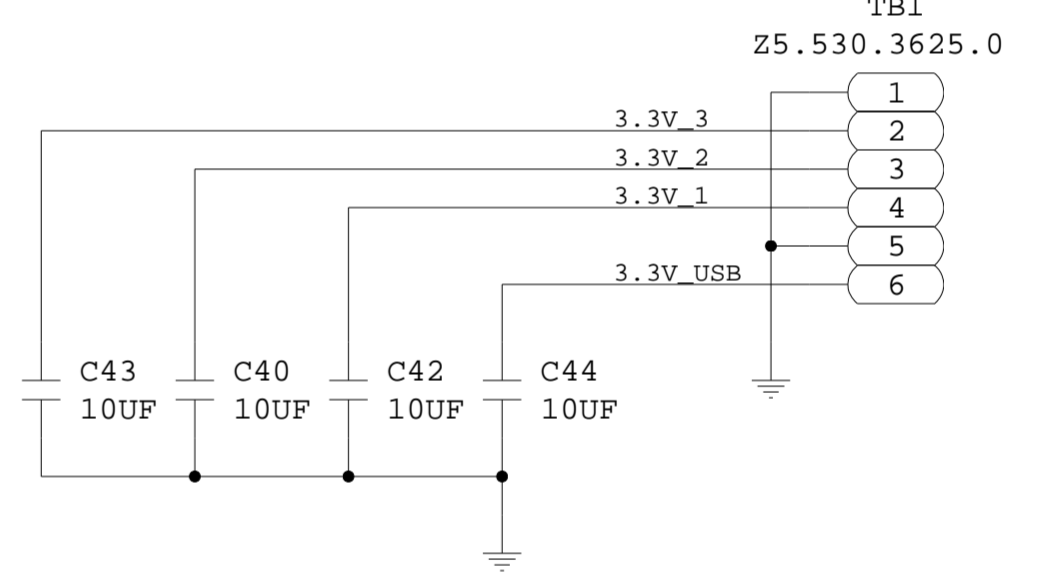


ATTENTION:
REMOVE CORRESPONDING FERRITE TO DISCONNECT VR1 AND/OR
VR2 BEFORE APPLYING EXTERNAL POWER TO TB1

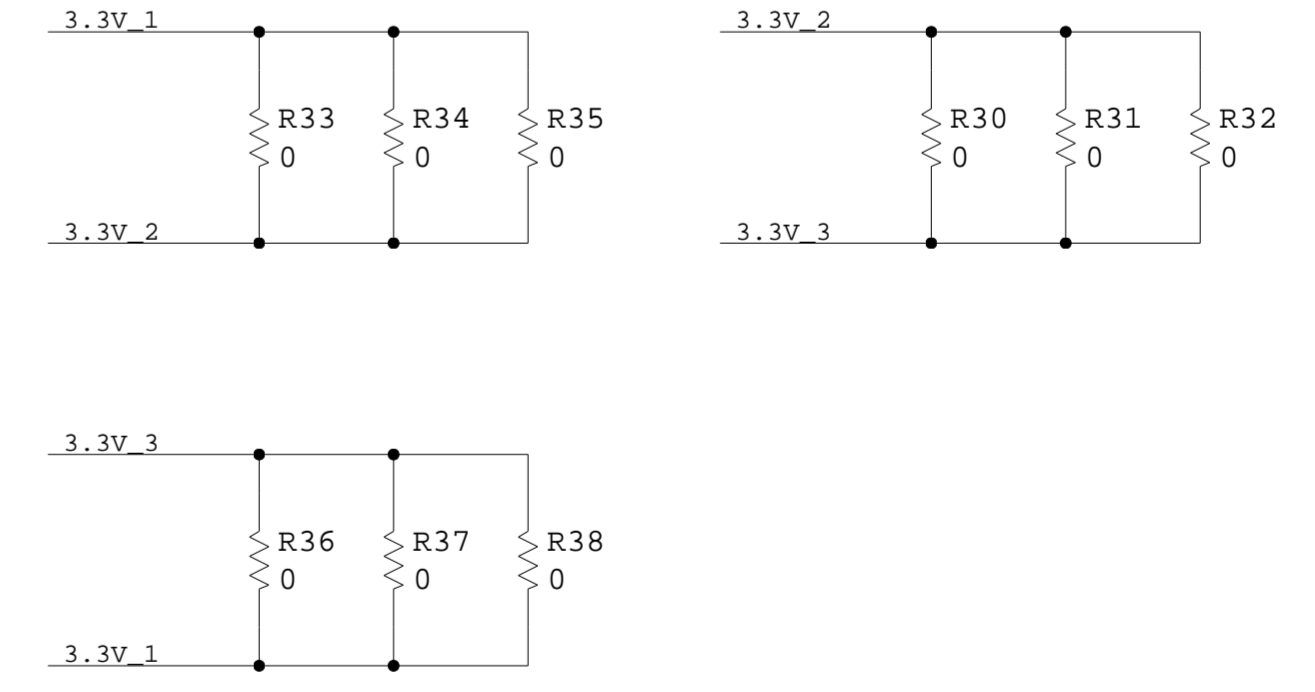
STD BOM: DO NOT INSTALL TB2

ATTENTION:
REMOVE R28 AND R29 BEFORE
APPLYING POWER TO TB2

OPTIONAL EXTERNAL
POWER SUPPLIES



POWER PLANE STITCHING
INSTALL IF USING REGULATORS FOR ALL 3.3V SUPPLIES (INSTEAD OF TB1)
REMOVE AS REQUIRED IF USING TB1 TO PROVIDE SEPARATE 3.3V SUPPLIES



SCHEMATIC			
ANALOG DEVICES		<DRAWING_TITLE_HEADER> AD9553 Customer Evaluation	
DESIGN VIEW <DESIGN_VIEW>	DRAWING NO. 9553CE01	REV D	
PTD ENGINEER J. Scuteri	SIZE D	SCALE none	SHEET 2 OF 2