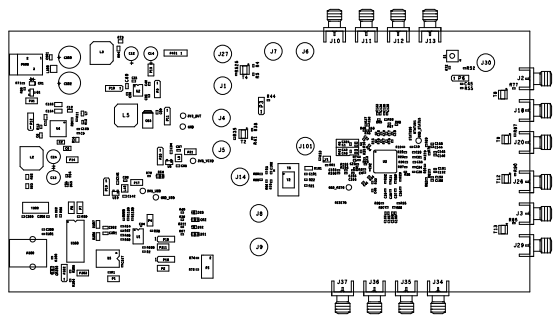


REVISIONS			
REV	DESCRIPTION	DATE	APPROVED
A	INITIAL RELEASE	30SEP13	R. CARDENAS
B	AS PER ECR-046033	02MAY14	P. ROBINSON



- ASSEMBLY NOTES:
1. DNI MEANS "DO NOT INSTALL." SEE ALSO PARTS LIST.
 2. NO SPECIAL INSTRUCTION ON THE ASSEMBLY OF 142-0701-201 COMPONENT.
 3. NO SPECIAL INSTRUCTION ON THE ASSEMBLY OF 142-0701-851 COMPONENT.
 4. SHUNT CONNECTORS ARE AVAILABLE AND WILL BE THE CUSTOMER'S DISCRETION IF TO BE INSTALLED OR NOT. (MECHANICAL PART M017967)

NO TEMPLATE - CUSTOMER EVALUATION BOARD

UNLESS OTHERWISE SPECIFIED		APPROVAL	DATE	ANALOG DEVICES		WWM DIVISION
DIMENSIONS ARE IN INCHES		DESIGN ENGINEER				804 ROBINSON STREET WILMINGTON, MA 01897
TOLERANCES		TEST ENGINEER				
FITTINGS: FRACTIONAL ANGLES		DESIGN REVIEWER		TITLE		
.010 - .015				ASSEMBLY AD9528 CUSTOMER EVALUATION BOARD		
.015 - .030						
.030 - .050						
.050 - .080						
MATERIAL		COMPONENT ENGINEER		SIZE	FCM NO	DRAWING NUMBER
		TEST PROVER		D	24355	01-037107
		HANDMADE RELEASE		SCALE	1/1	SHEET 1 OF 2
FINISH		APPROVAL	DATE			REV
DRAWING BY: J. F. FINE			24SEP13			B
APP. ENGINEER: R. CARDENAS			30SEP13			
CHECKED BY: S. STINGER			30SEP13			
DO NOT SCALE DWG						