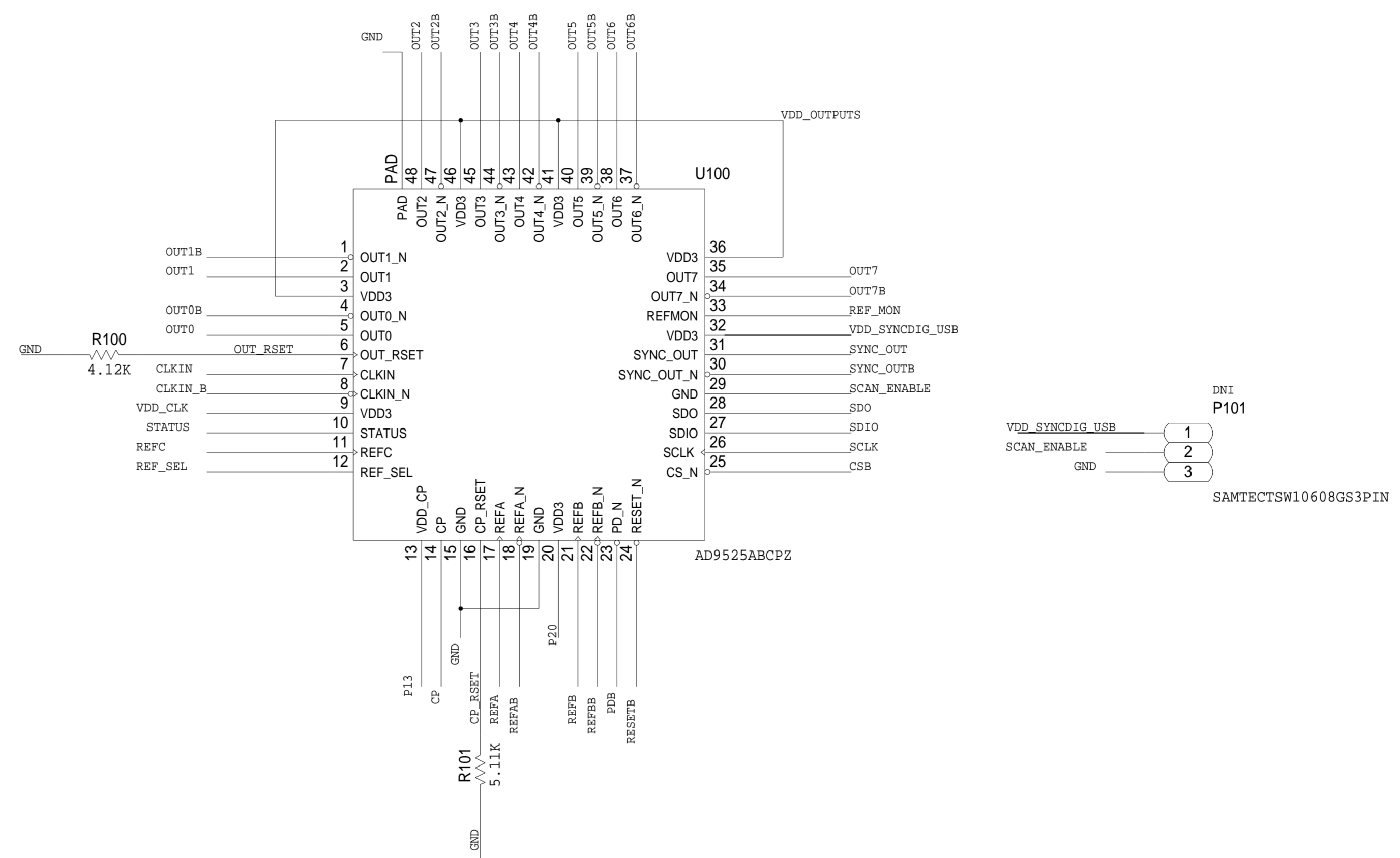
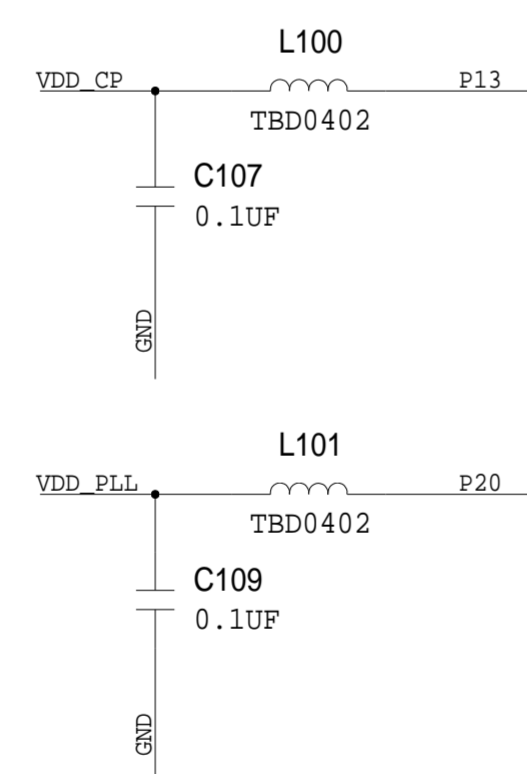
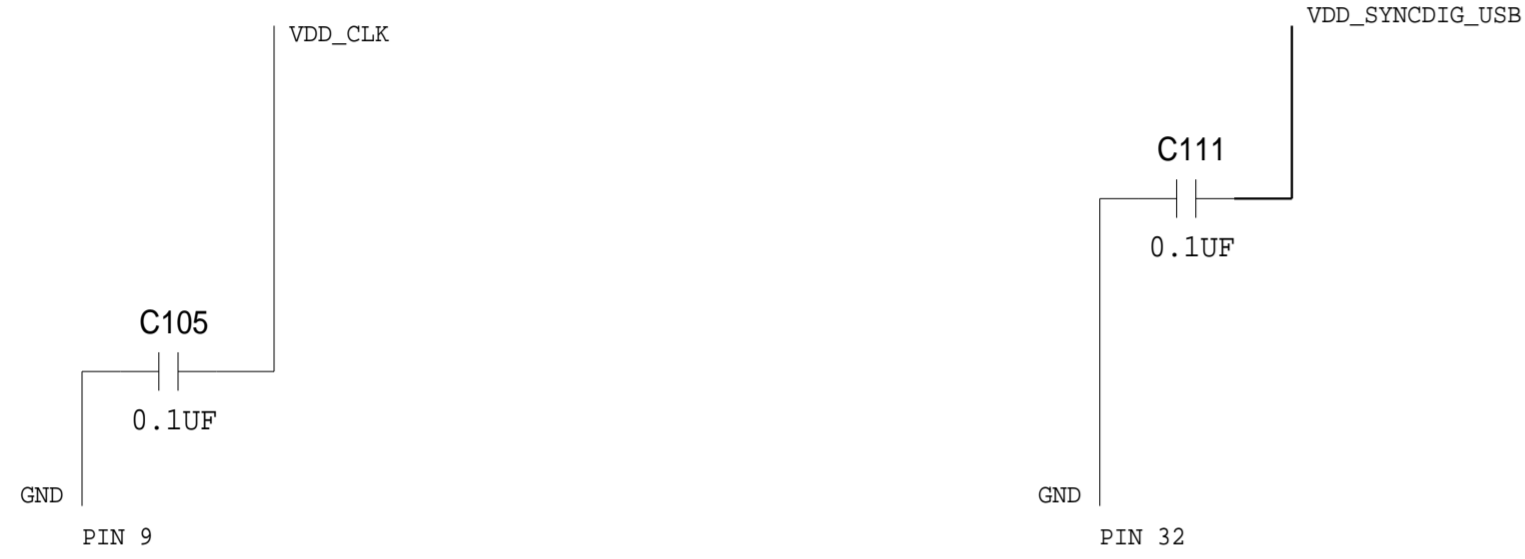
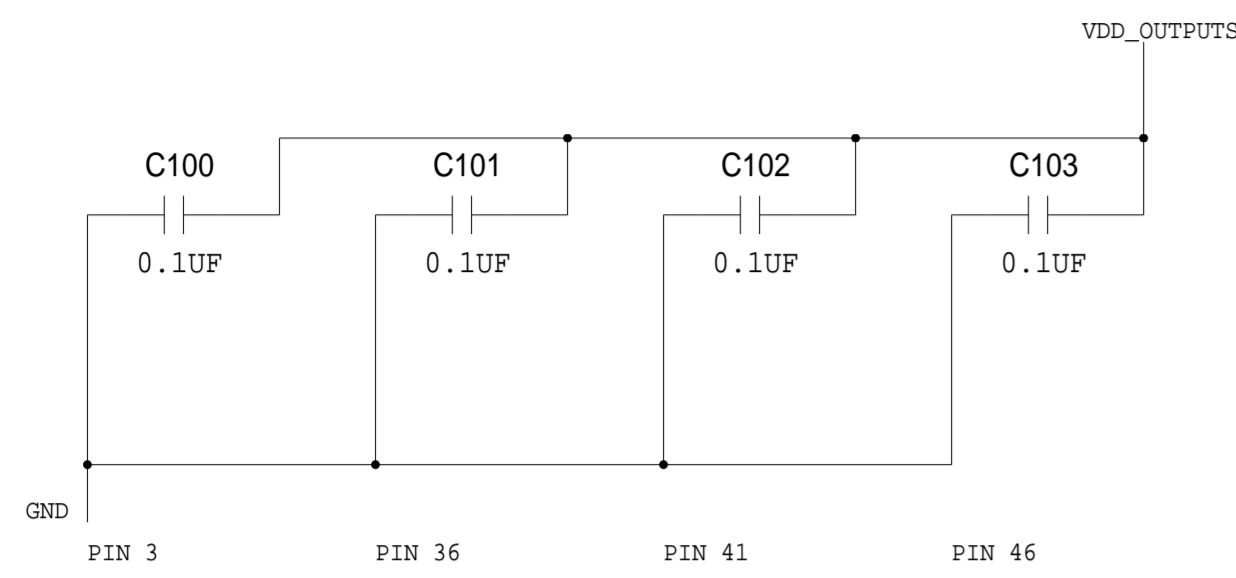


BYPASS CAPACITORS (0.1UF & 10 UF)

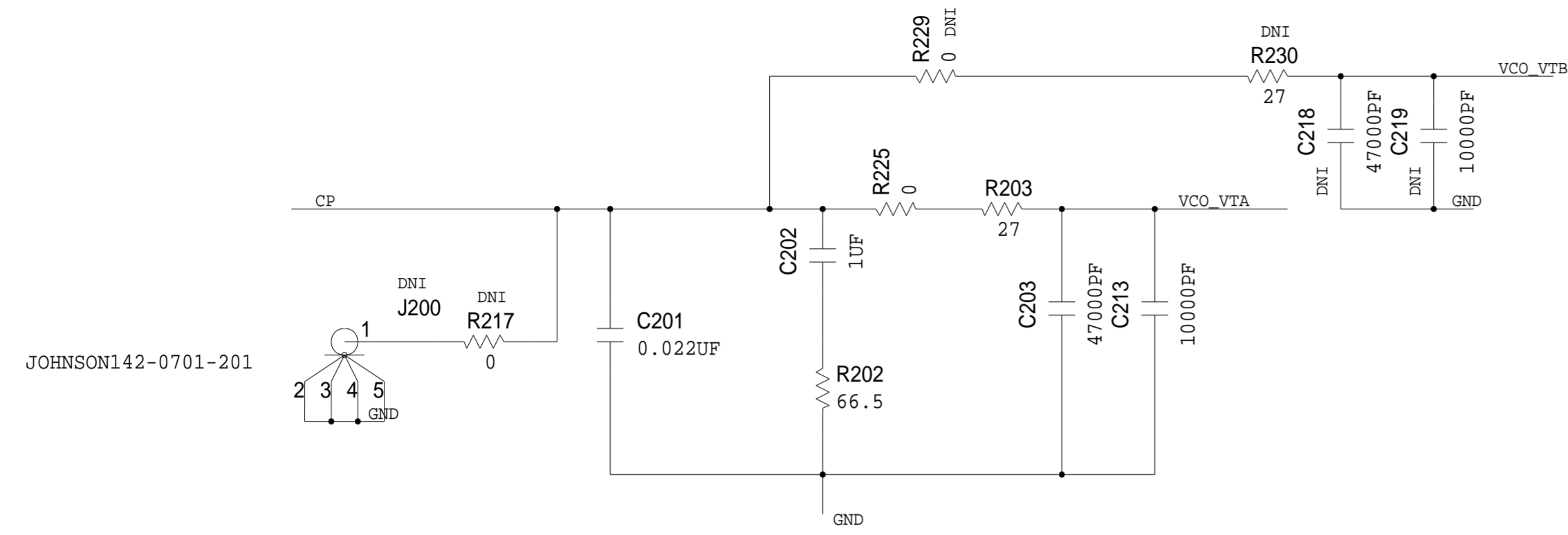
REVISIONS			
REV	DESCRIPTION	DATE	APPROVED



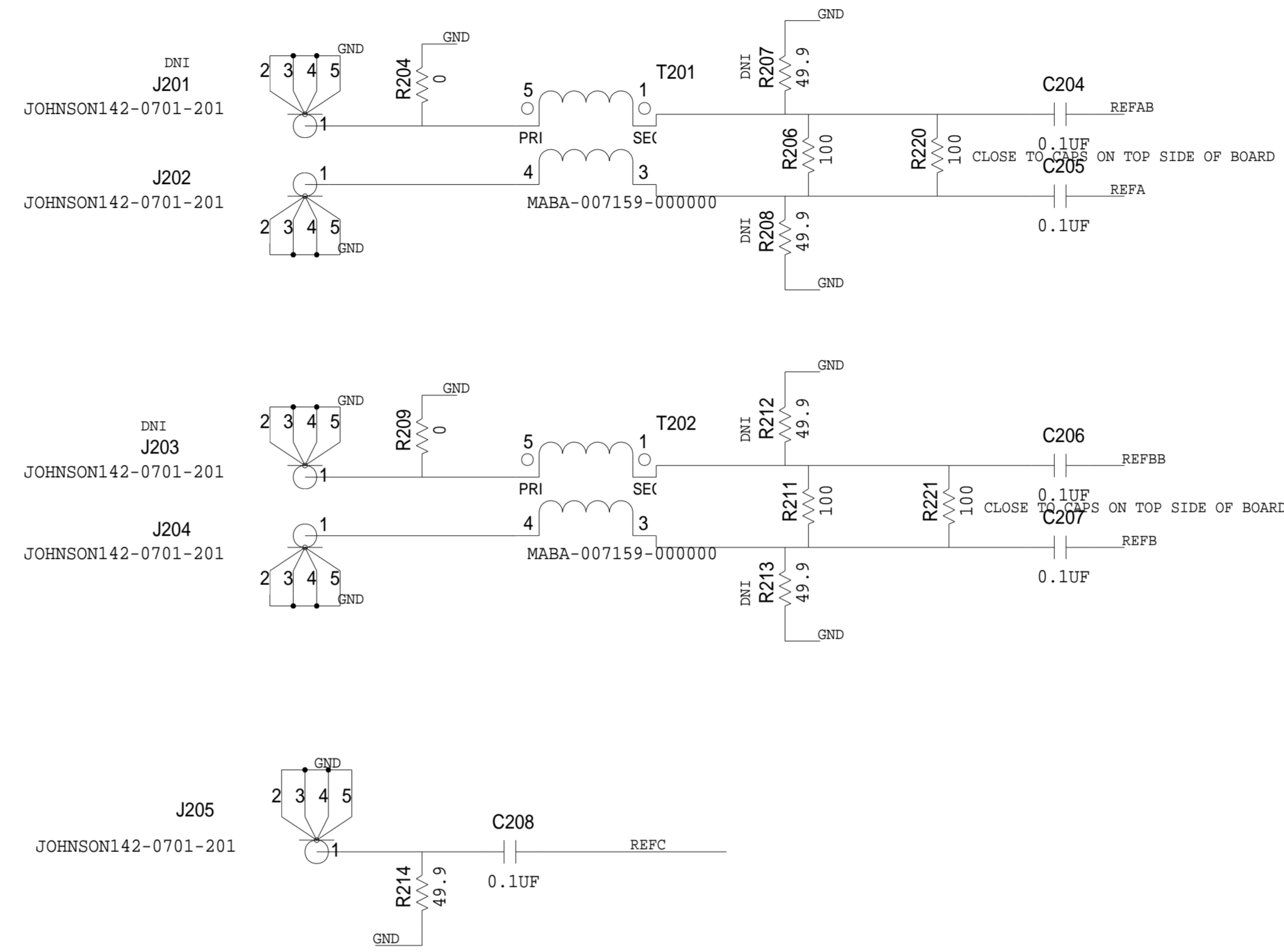
	SCHMATIC		
	<DRAWING_TITLE_HEADER> AD9525 ENGINEERING EVALUATION - SEPARATE VDD SUPPLIES		
	DESIGN VIEW <DESIGN_VIEW>	DRAWING NO. 9525CE02	REV A
	PTD ENGINEER P. Robinson	SIZE D	SCALE NONE
		SHEET 1 OF 5	

REVISIONS			
REV	DESCRIPTION	DATE	APPROVED

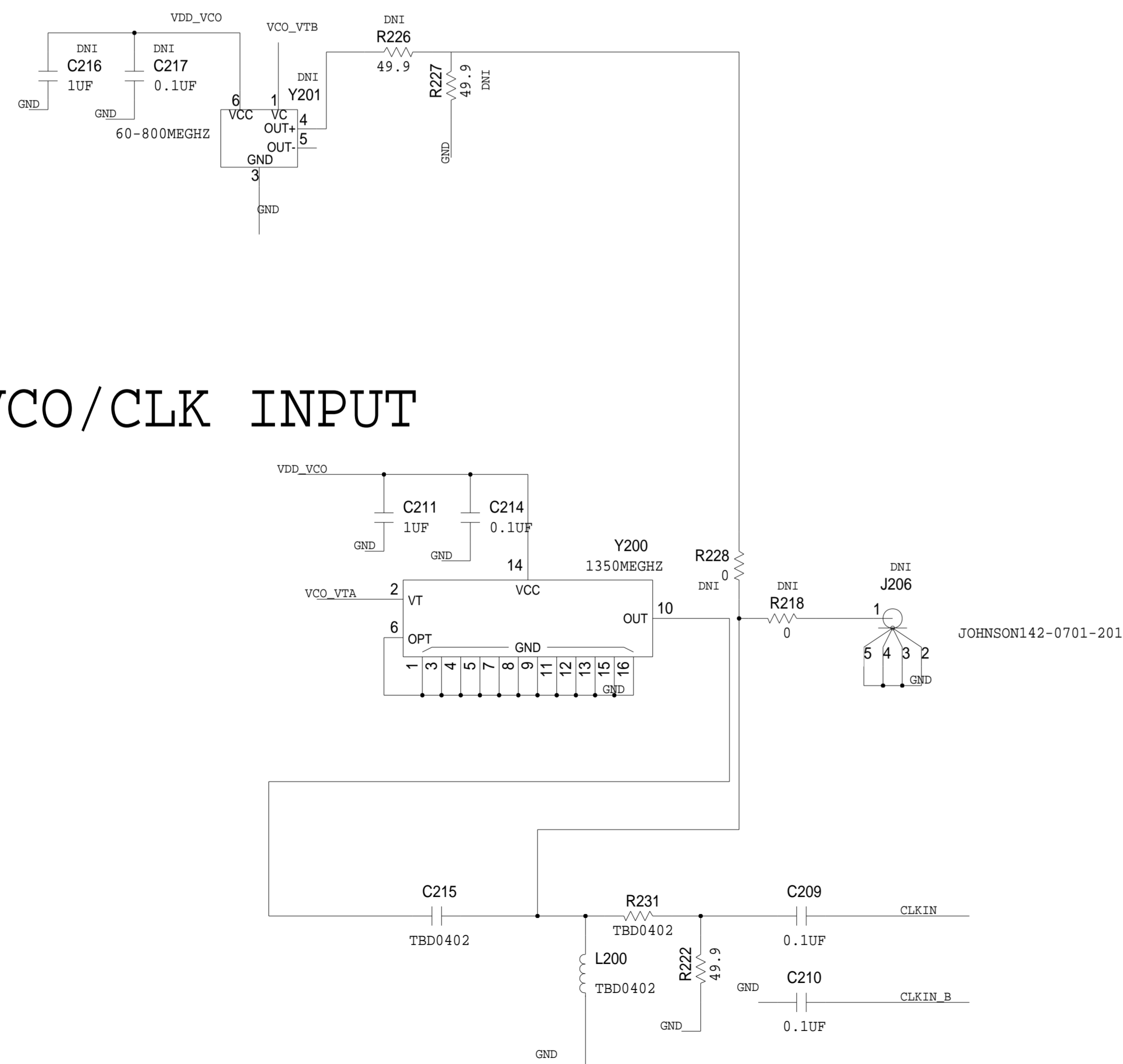
CP / VCO CONNECTION



REFERENCE INPUTS



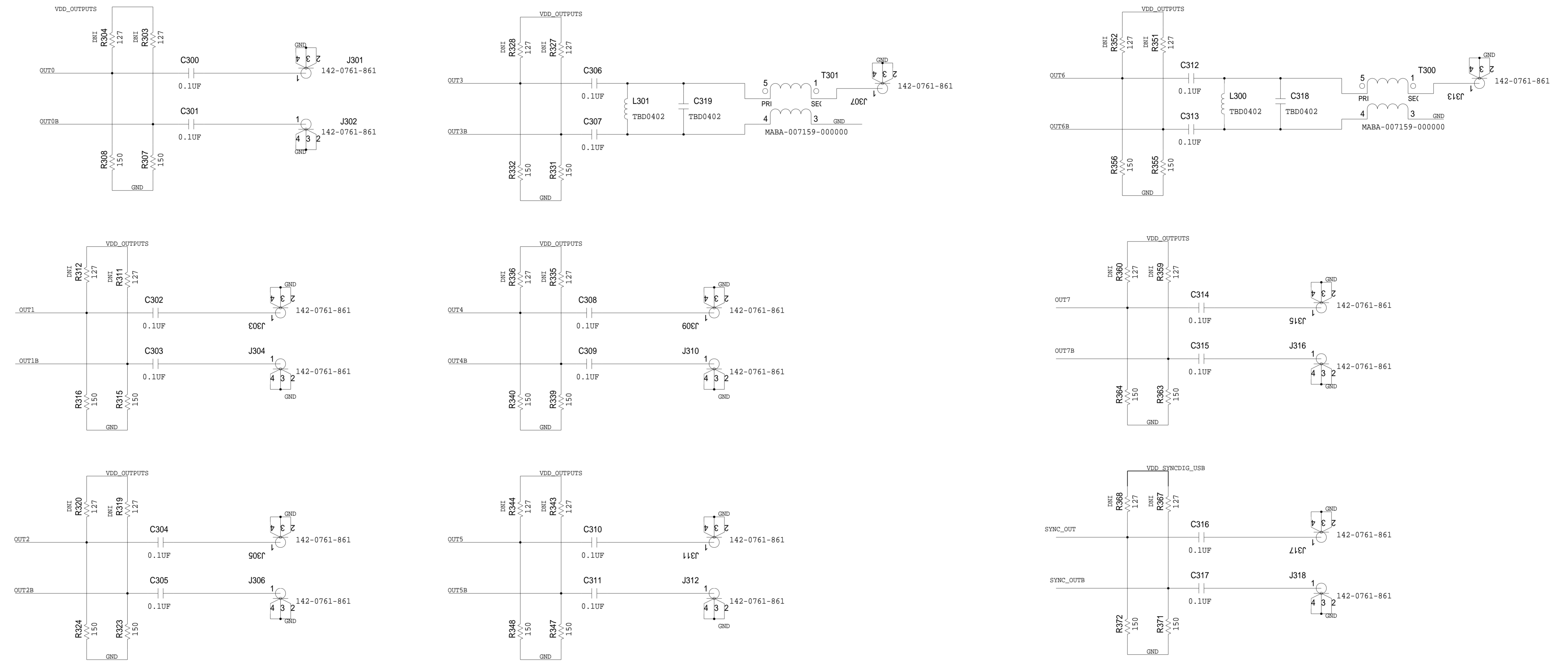
VCO/CLK INPUT



	SCHMATIC		
	<DRAWING_TITLE_HEADER>		
	AD9525 ENGINEERING EVALUATION - SEPARATE VDD SUPPLIES		
	DESIGN VIEW <DESIGN_VIEW>	DRAWING NO. 9525CE02	REV A
PTD ENGINEER P. Robinson	SIZE D	SCALE NONE	SHEET 2 OF 5

REVISIONS			
REV	DESCRIPTION	DATE	APPROVED

CLOCK OUTPUTS

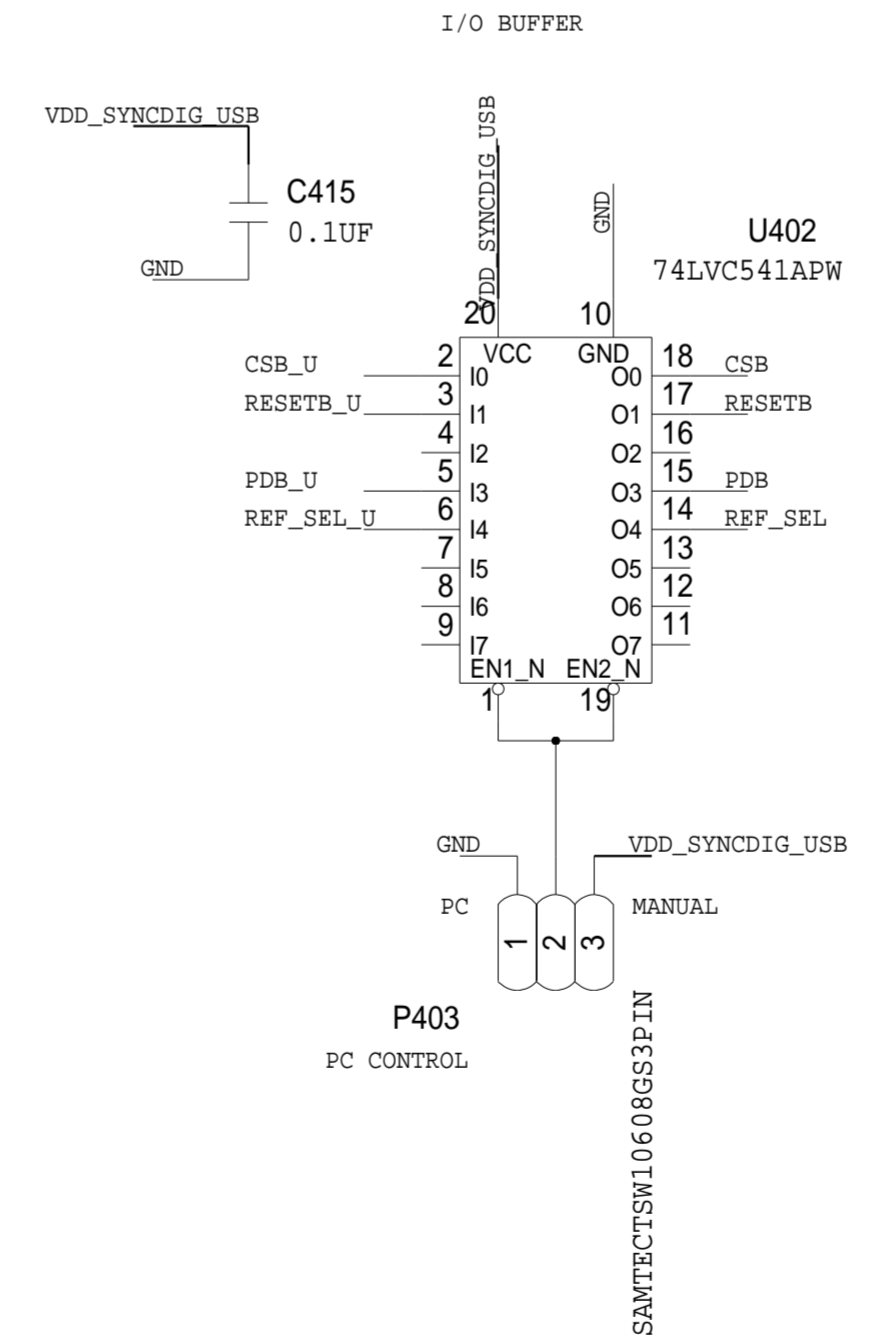
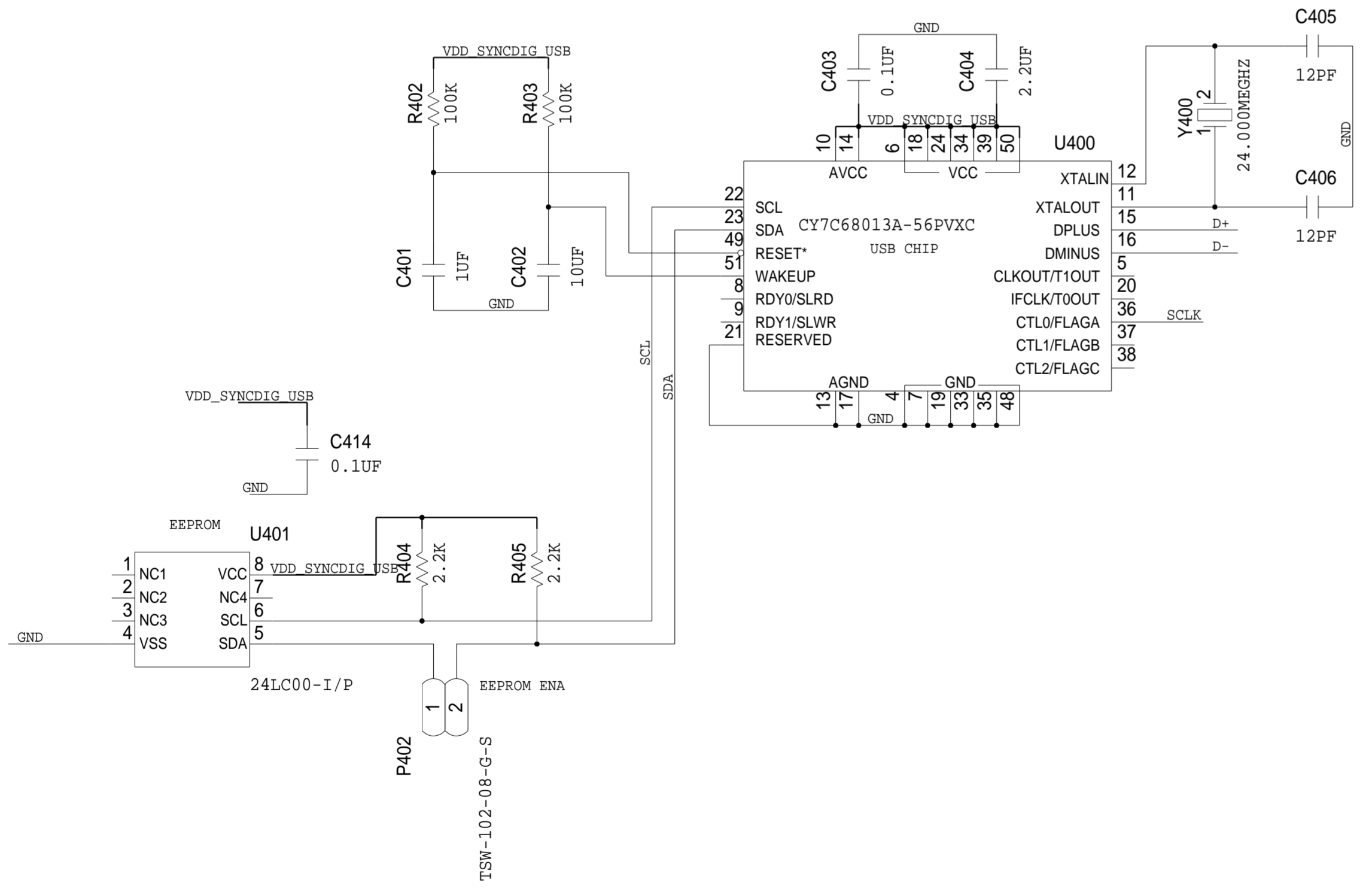
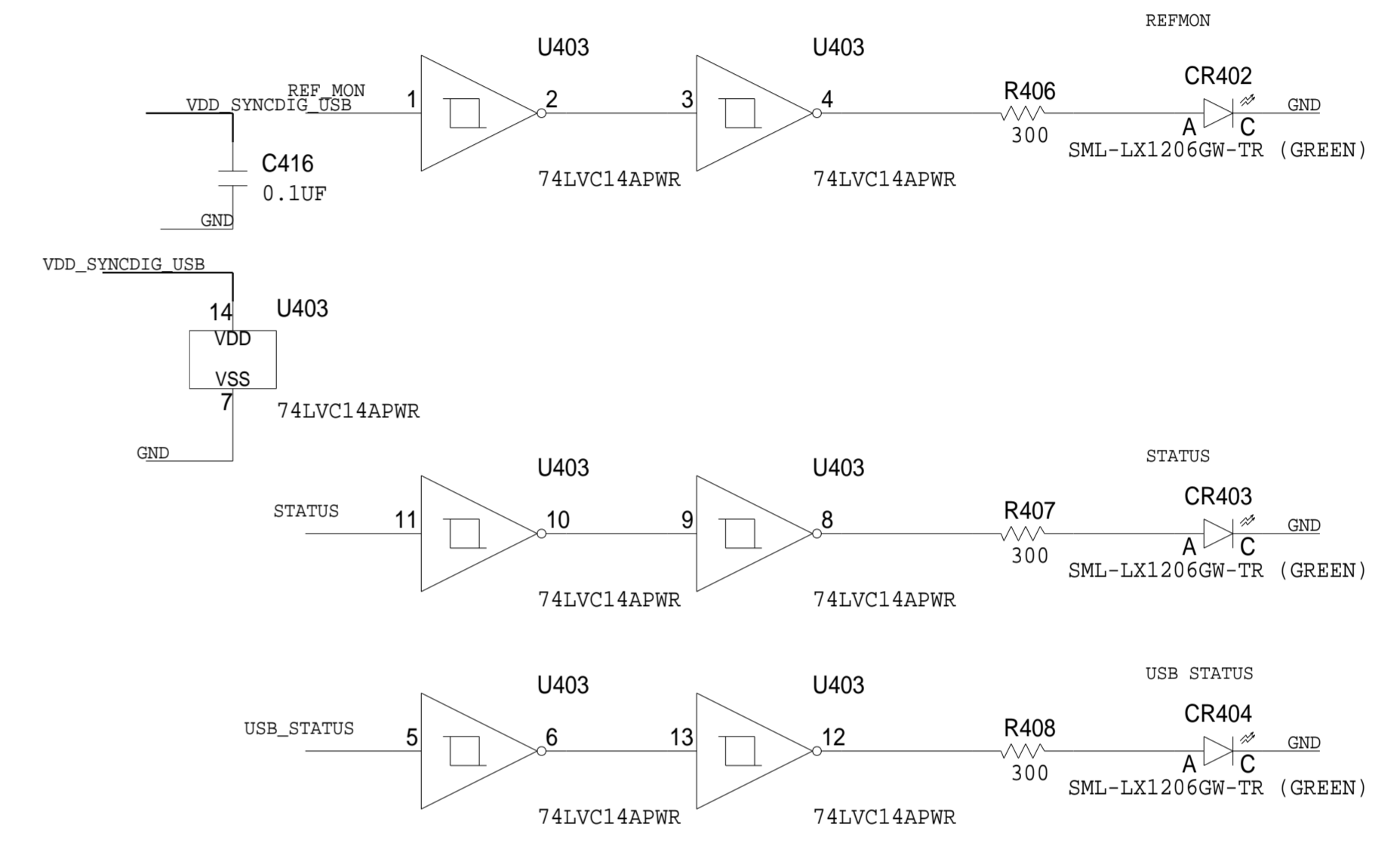
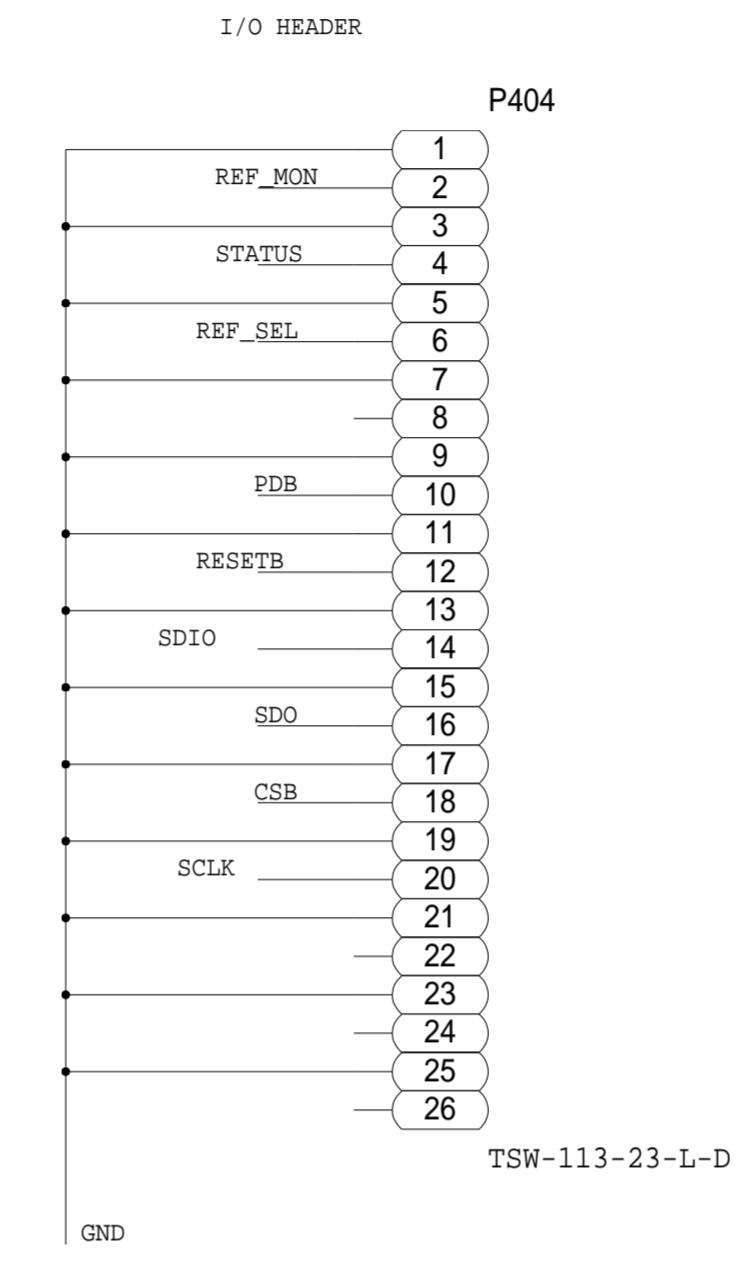
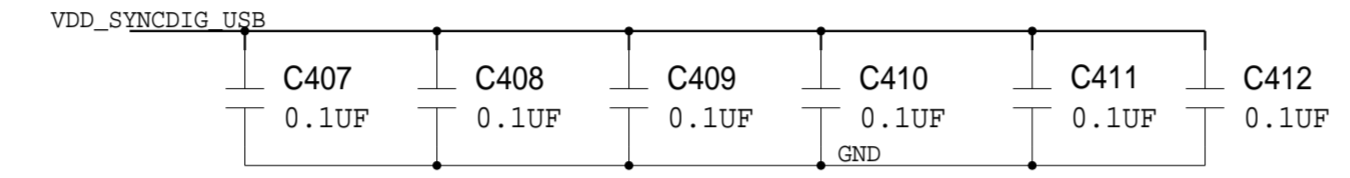
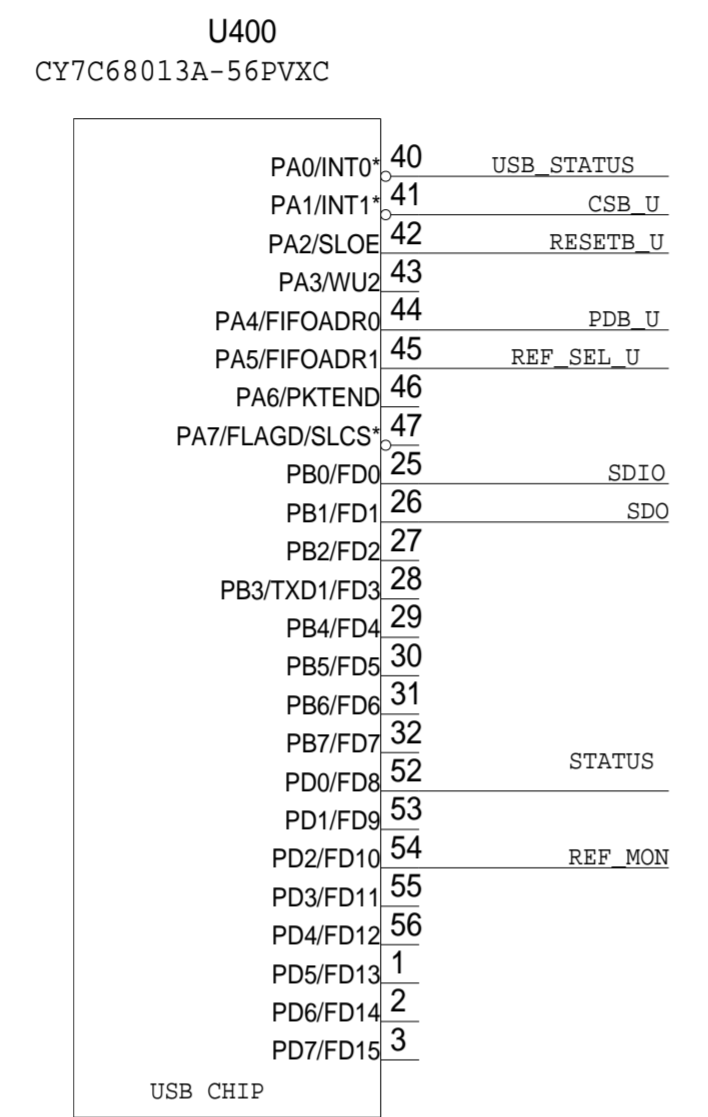
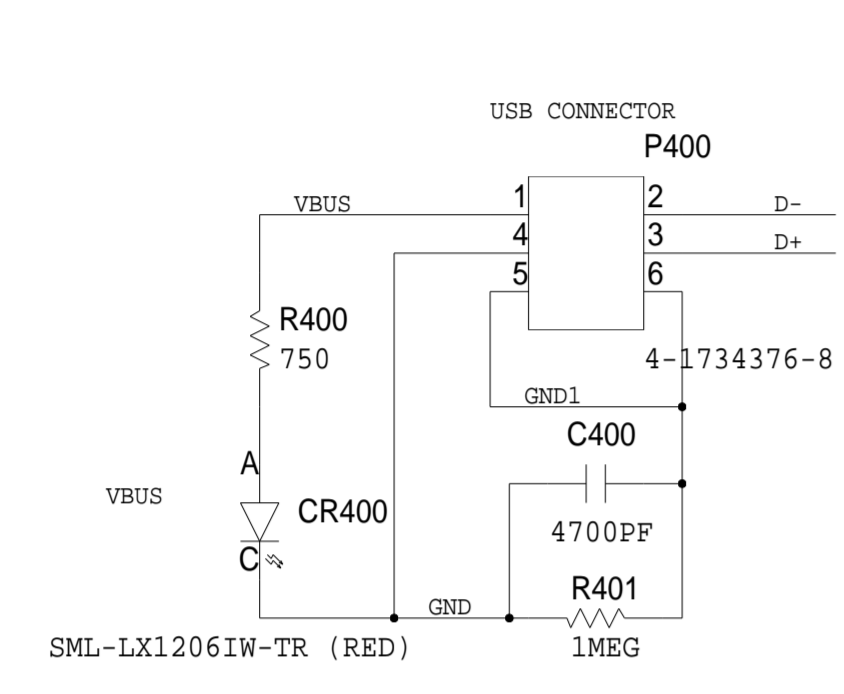


	SCHMATIC		
	<DRAWING_TITLE_HEADER> AD9525 ENGINEERING EVALUATION - SEPARATE VDD SUPPLIES		
	DESIGN VIEW <DESIGN_VIEW>	DRAWING NO. 9525CE02	REV A
	PTD ENGINEER P. Robinson	SIZE D	SCALE NONE

SHEET 3 OF 5

USB SECTION

REVISIONS			
REV	DESCRIPTION	DATE	APPROVED

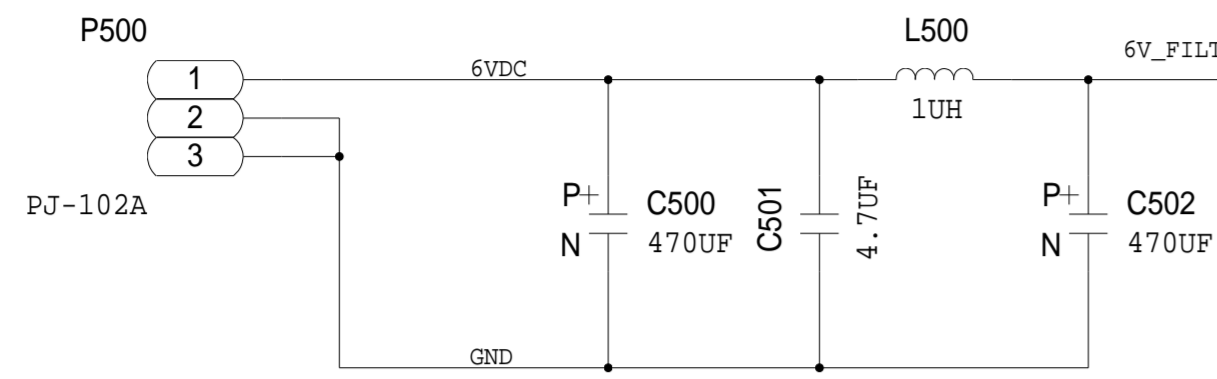


SCHEMATIC			
<DRAWING_TITLE_HEADER> AD9525 ENGINEERING EVALUATION - SEPARATE VDD SUPPLIES			
DESIGN VIEW	DRAWING NO.	REV	
<DESIGN_VIEW>	9525CE02	A	
PTD ENGINEER	SIZE	SCALE	SHEET 4 OF 5
P. Robinson	D	NONE	

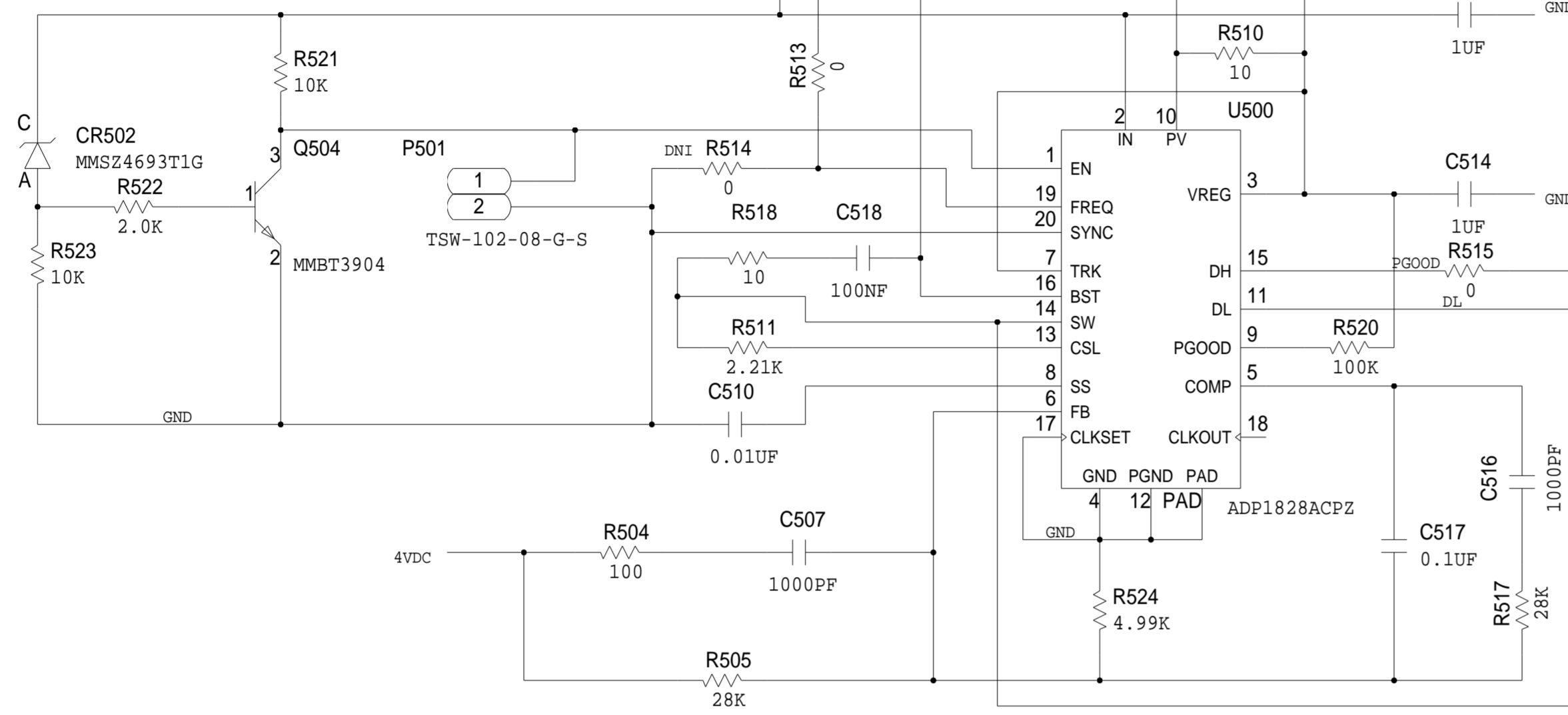
POWER MANAGEMENT SECTION

REVISIONS			
REV	DESCRIPTION	DATE	APPROVED

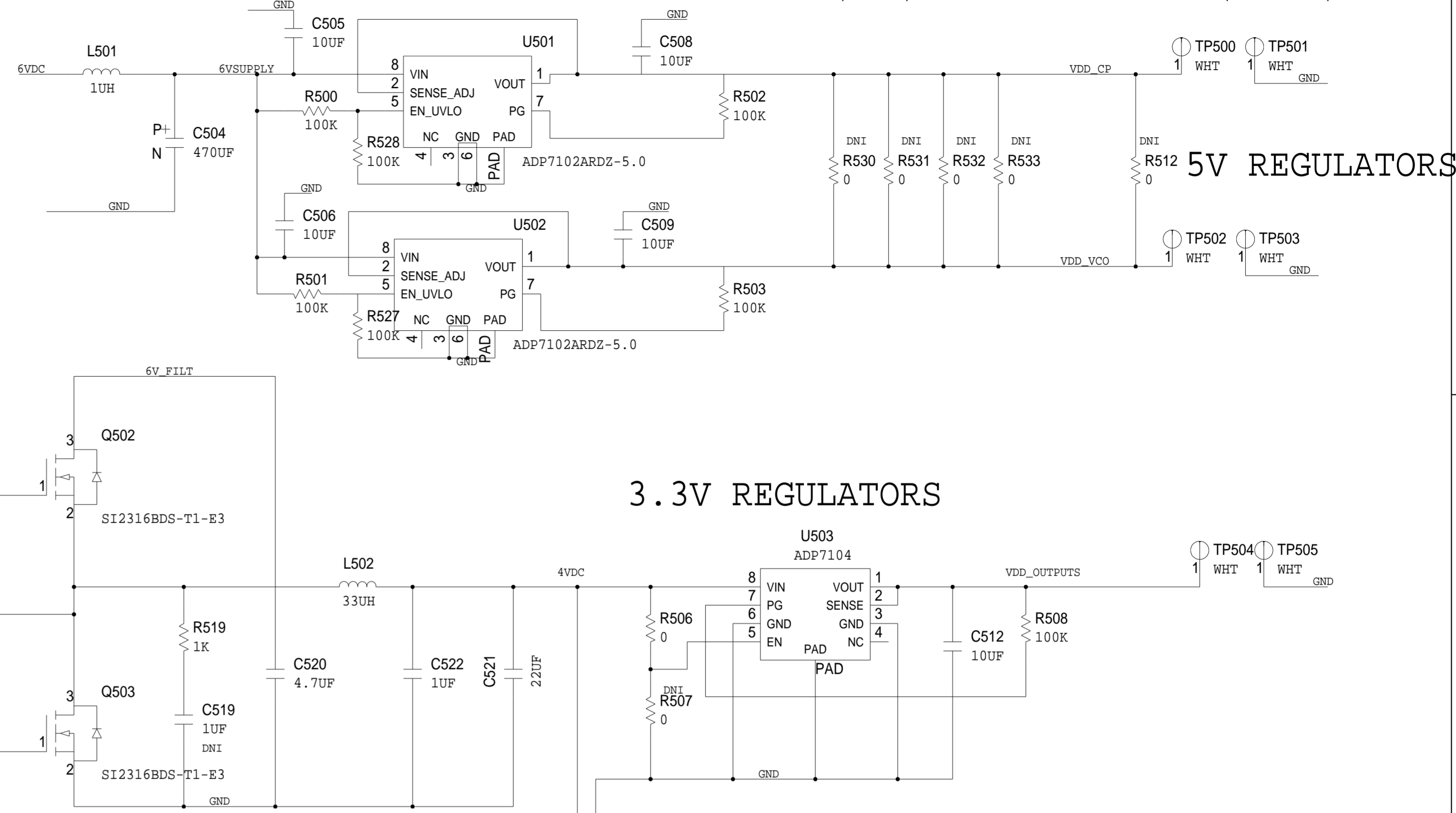
6V WALL WART CONNECTION



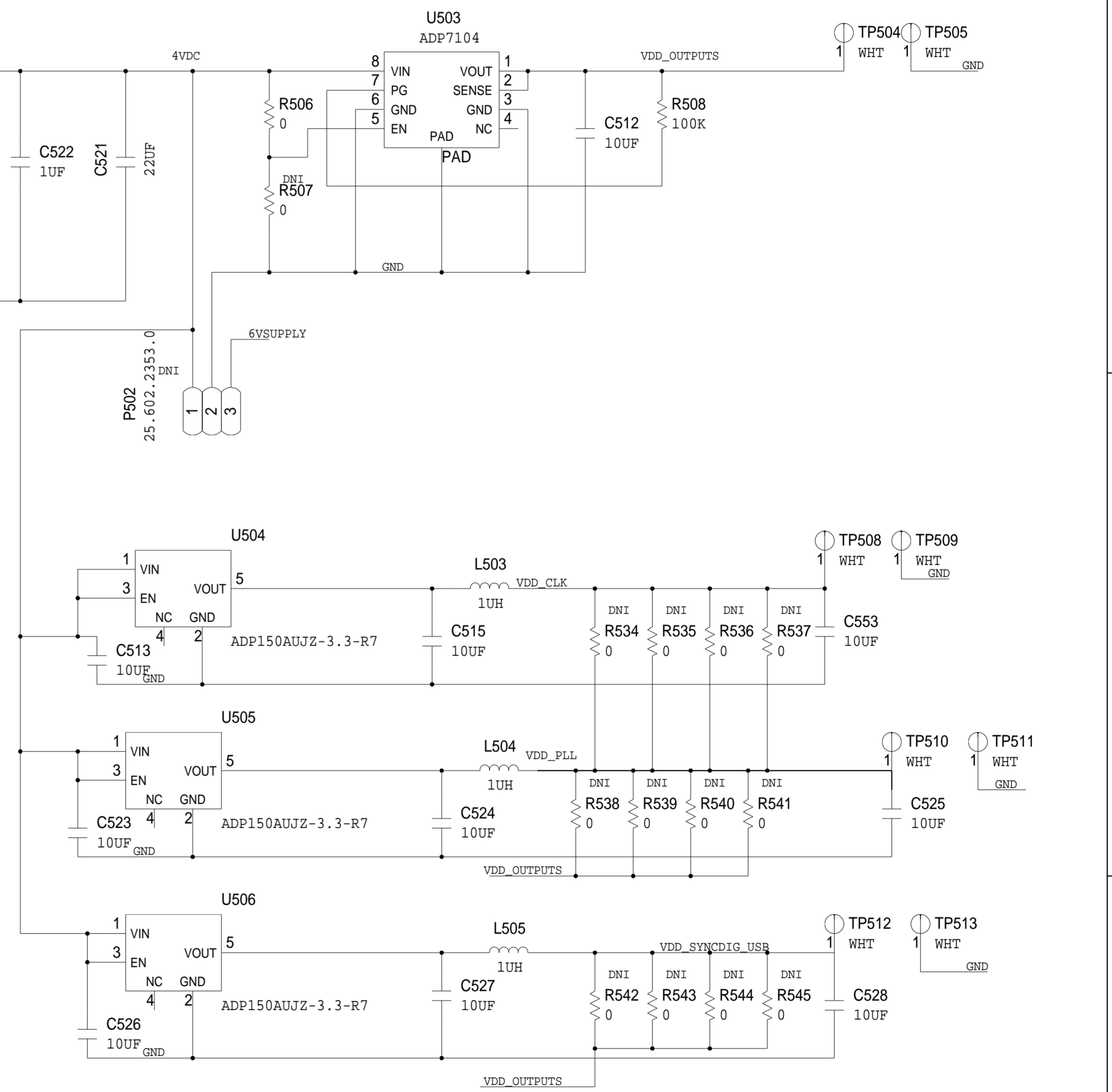
8.5V OVER PROTECTION CIRCUIT



DC TO DC STEP DOWN



3.3V REGULATORS



	SCHEMATIC		
	<DRAWING_TITLE_HEADER> AD9525 ENGINEERING EVALUATION - SEPARATE VDD SUPPLIES		
	DESIGN VIEW <DESIGN_VIEW>	DRAWING NO. 9525CE02	REV A
	PTD ENGINEER P. Robinson	SIZE D	SCALE NONE