

8

7

6

5

4

3

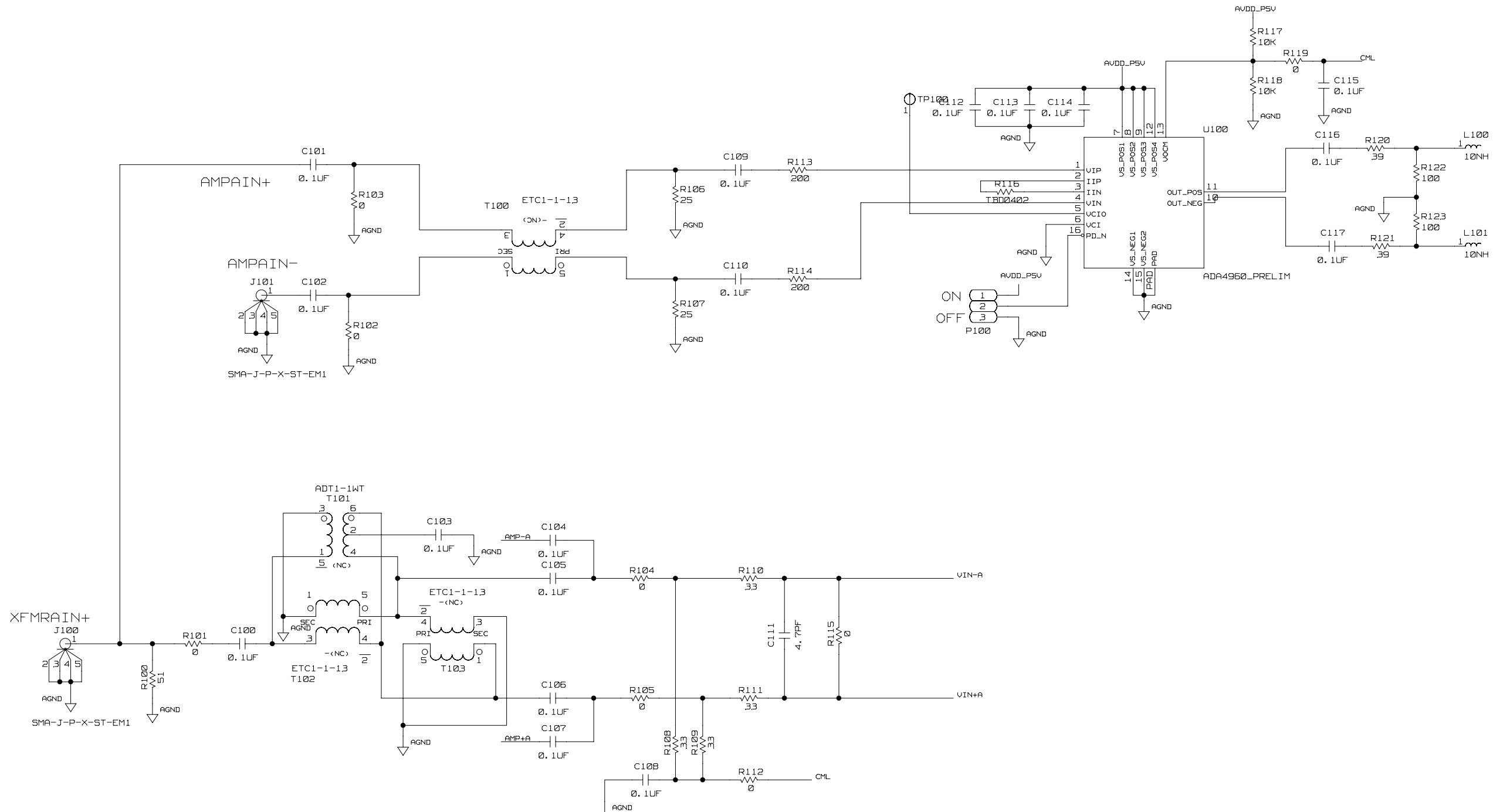
2

REV	DESCRIPTION

D

C

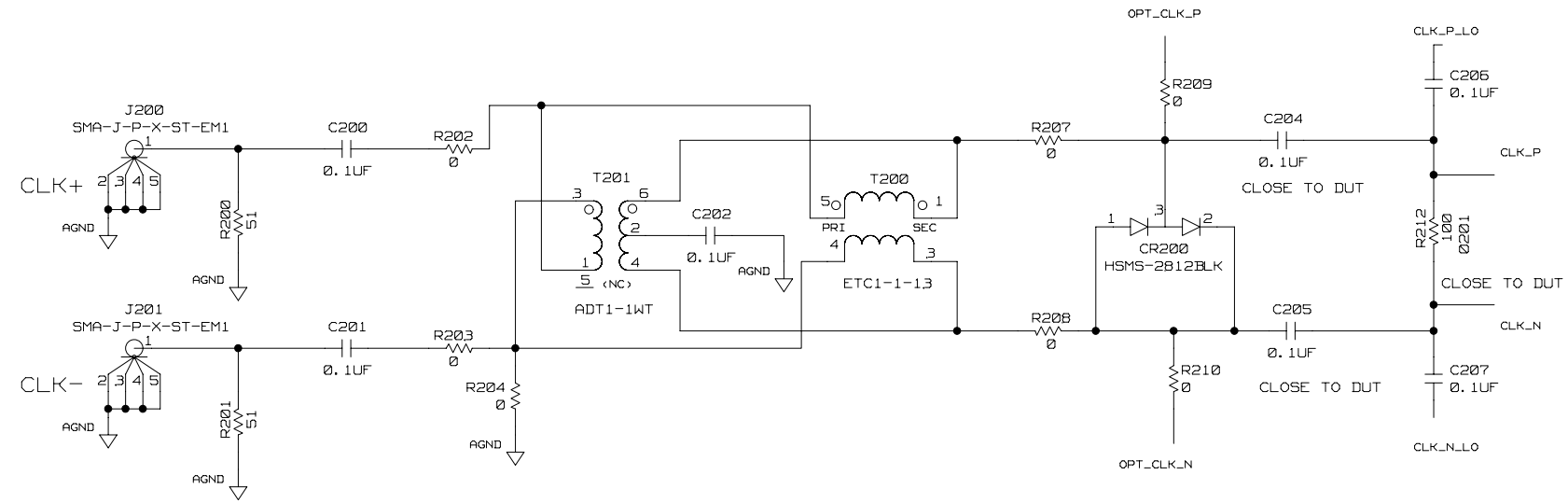
B



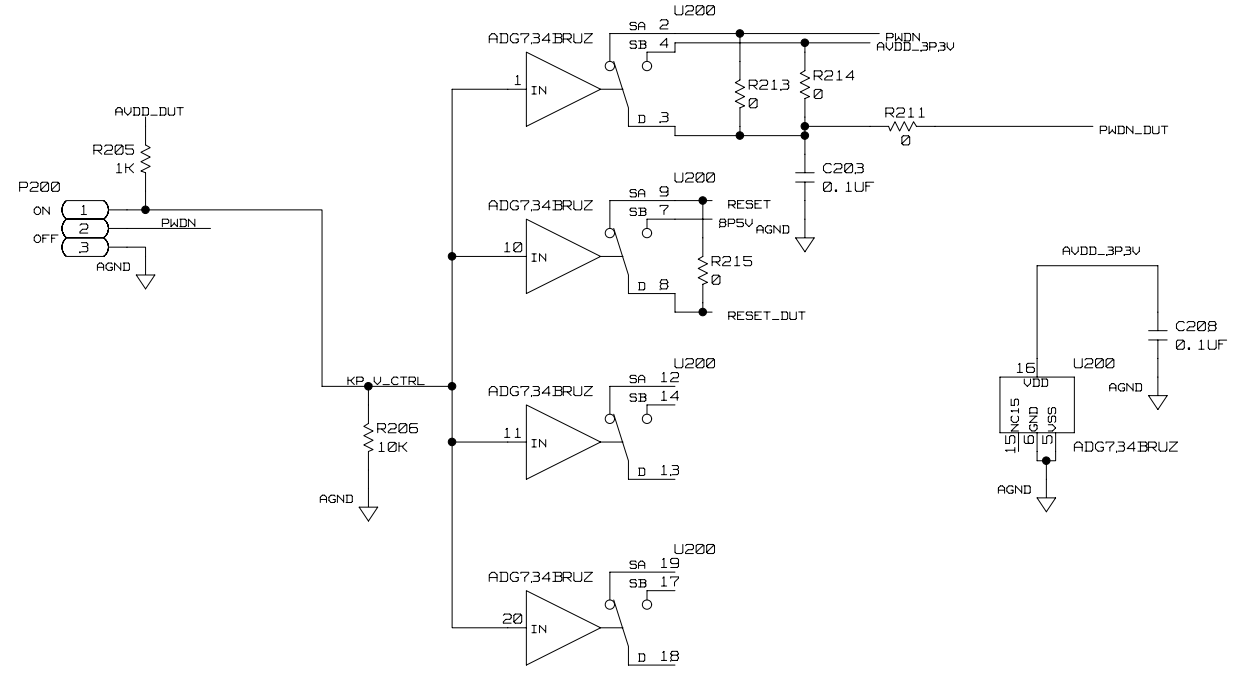
REV	DESCRIPTION

CLOCK CIRCUITRY

DEFAULT CLOCK PATH



KILOPASS VOLTAGE

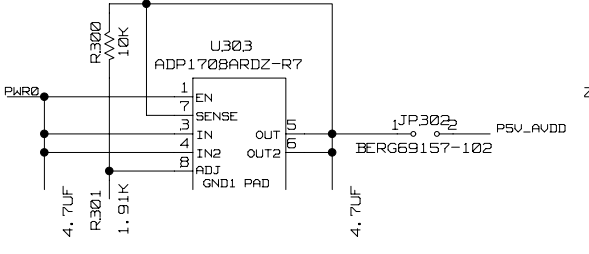
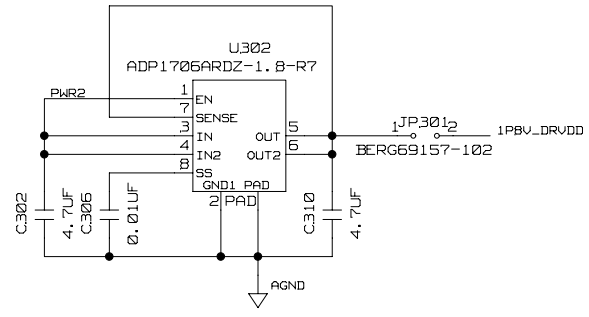
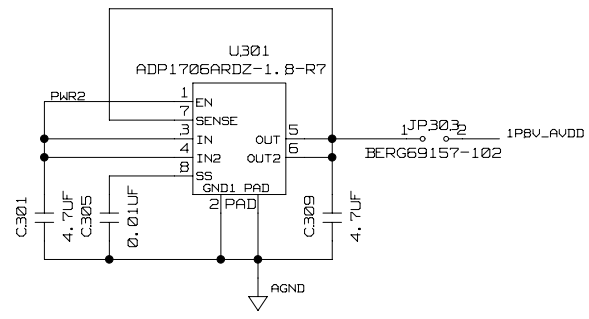
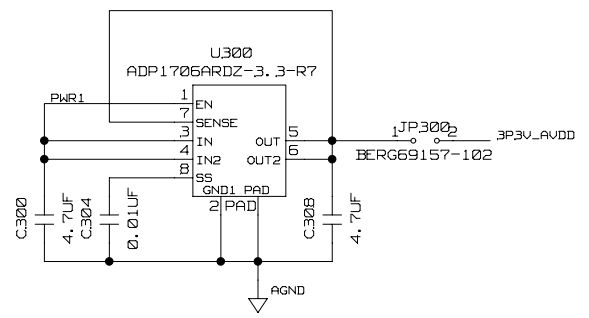
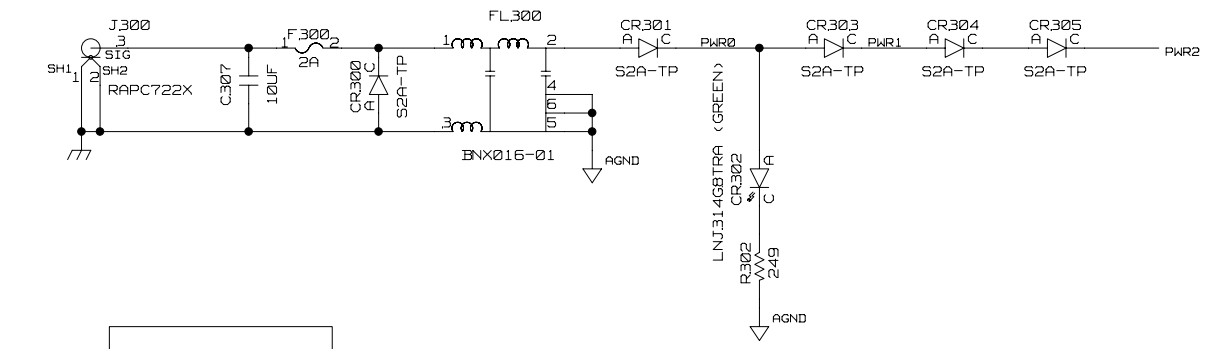


NOTE: ADG734 SYMBOL IS SHOWN WITH INPUT = LOGIC 1

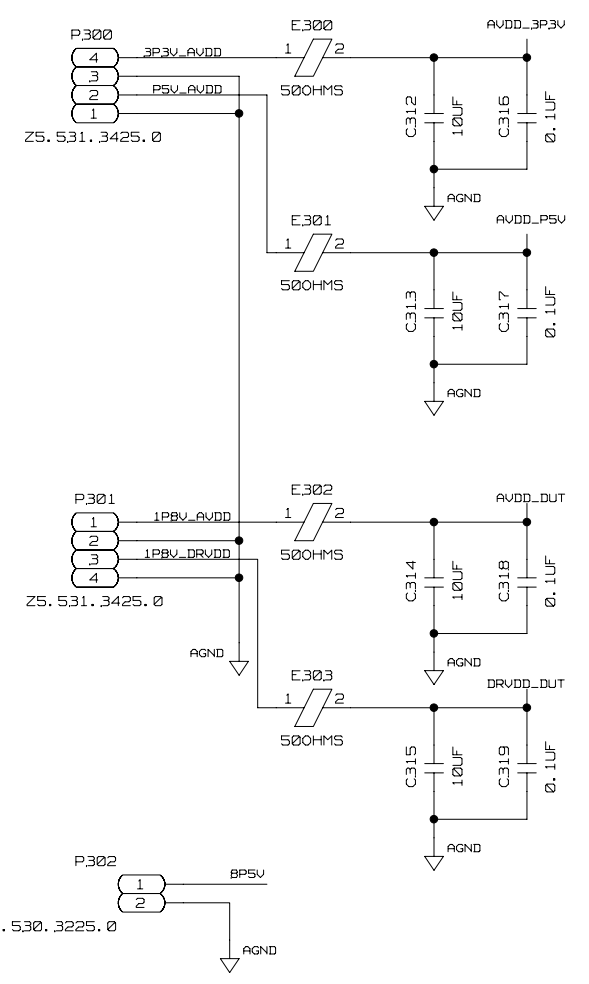
D
C
B

REV	DESCRIPTION

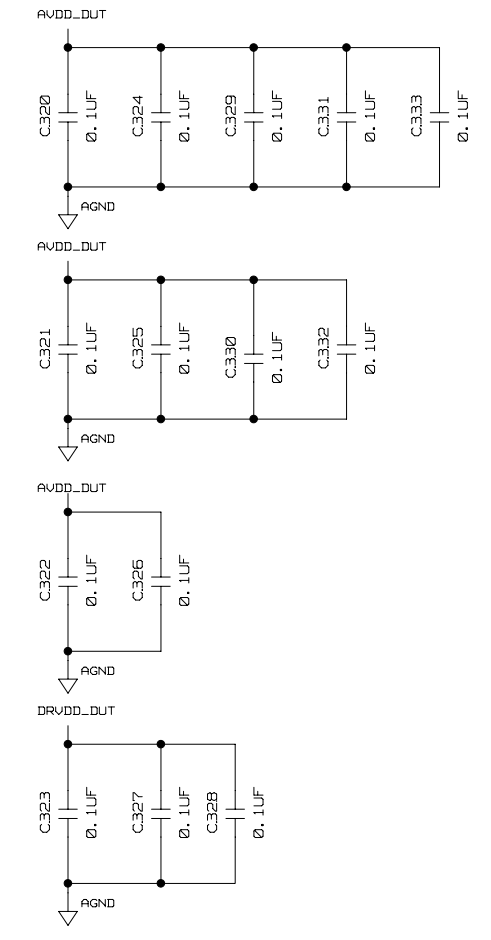
WALWART POWER SUPPLY INPUT 6VDC, 2A MAX



OPTIONAL POWER CONNECTIONS



DECOUPLING CAPS

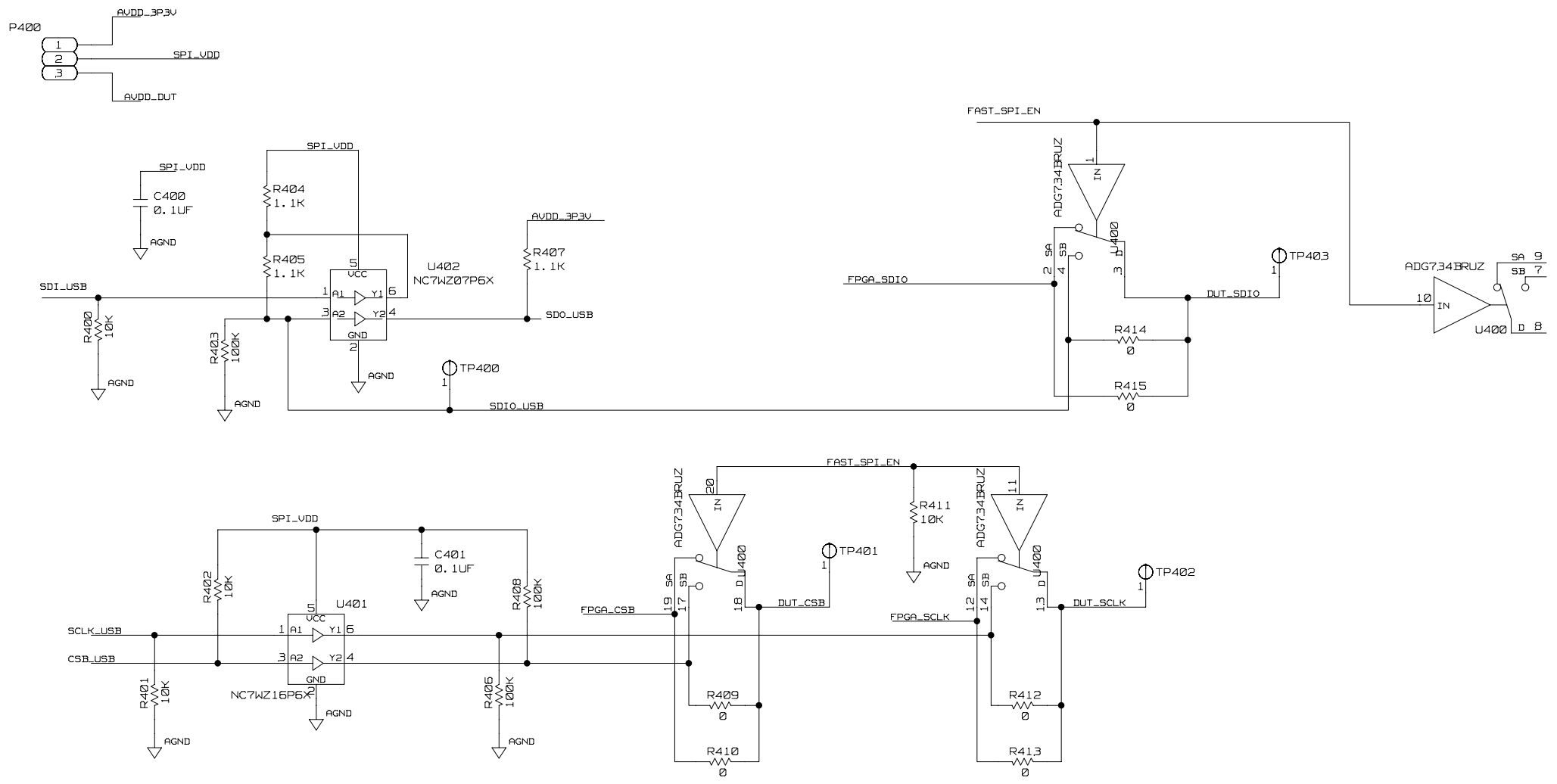


2	
REV	DESCRIPTION

SPI

COPIED FROM 9644EE01A SHEET 6

NOTE: ADG734 SYMBOL IS DRAWN WITH INPUT = LOGIC 1

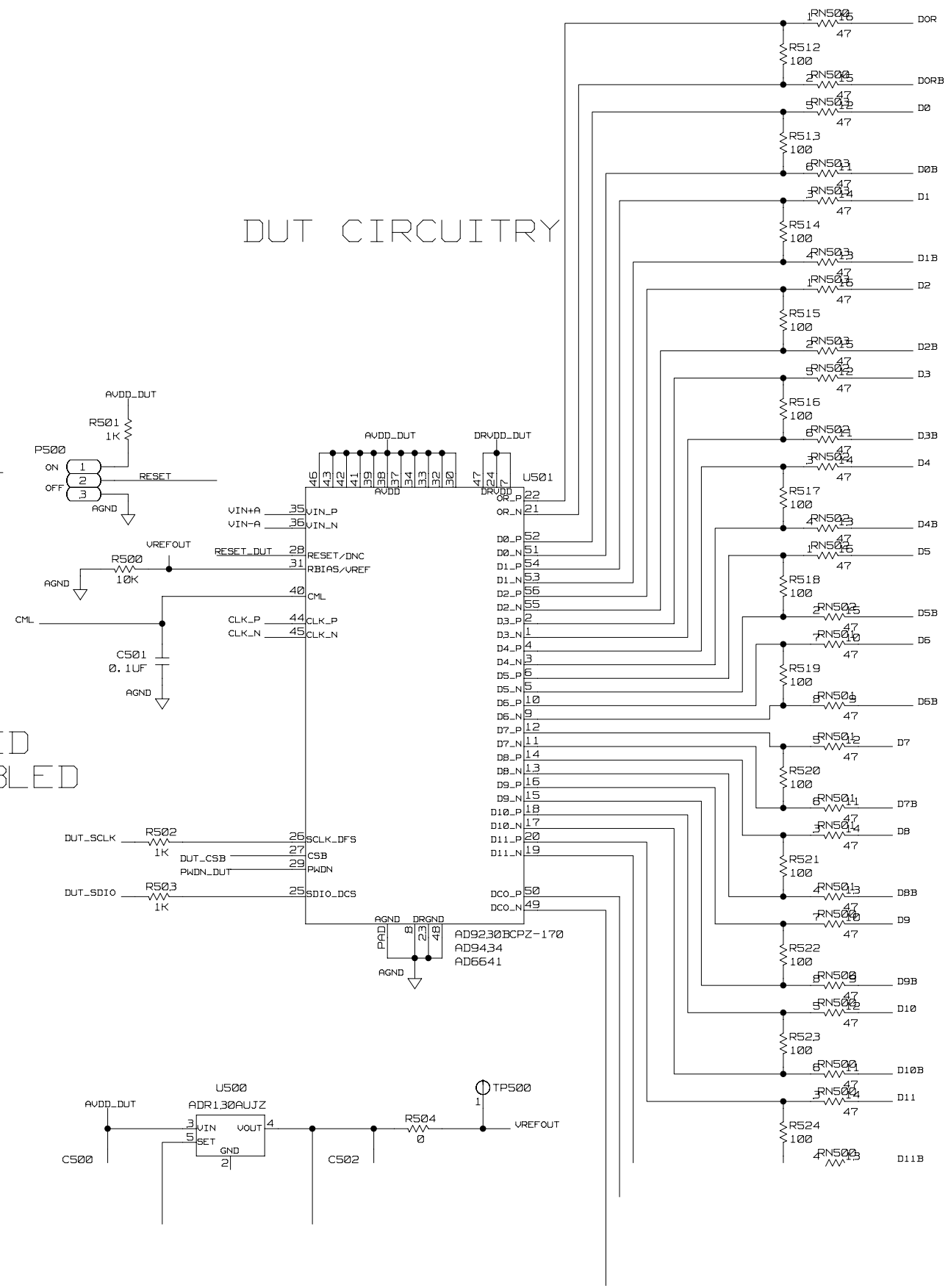


REV	DESCRIPTION

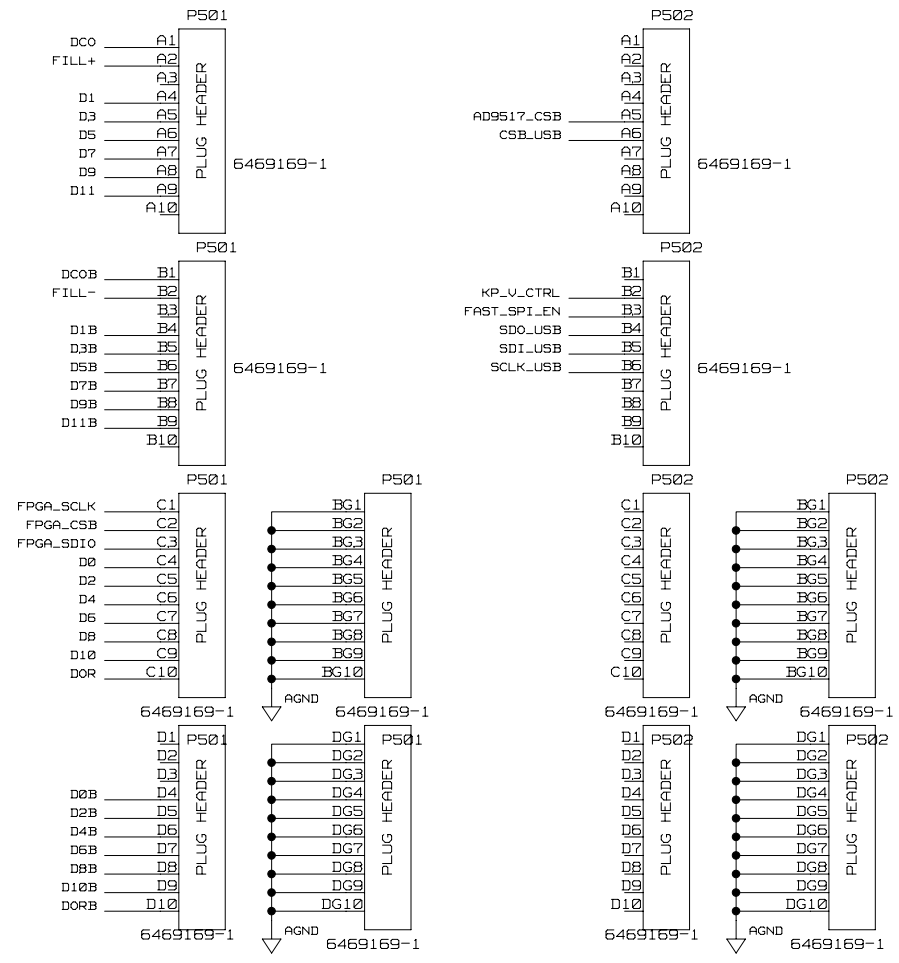
DUT CIRCUITRY

SPI RESET

FUNCTION
HI=ENABLED
LOW=DISABLED



HIGH SPEED CONNECTION TO FPGA (FIF05)

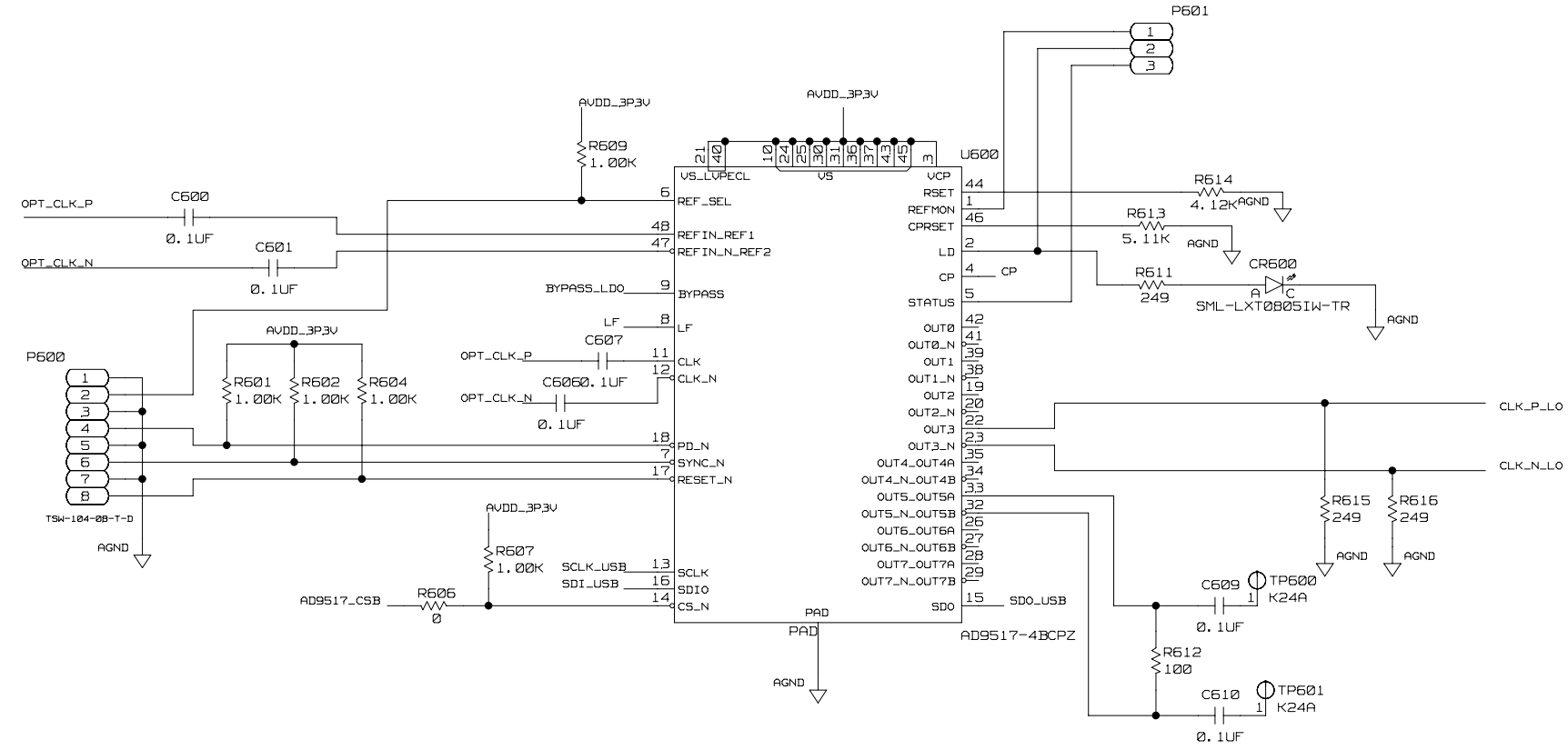


AD6641: USE FILL+/-
AD9434: USE DCO+/-
AD9230: USE DCO+/-

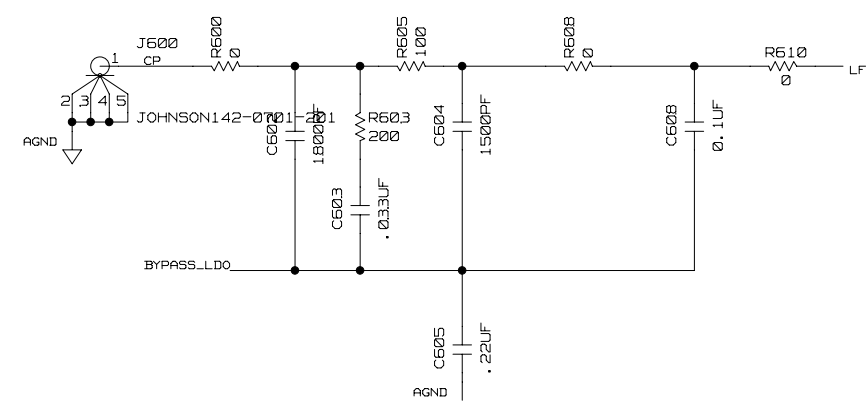
R508 FILL-
R509 FILL-

REV	DESCRIPTION

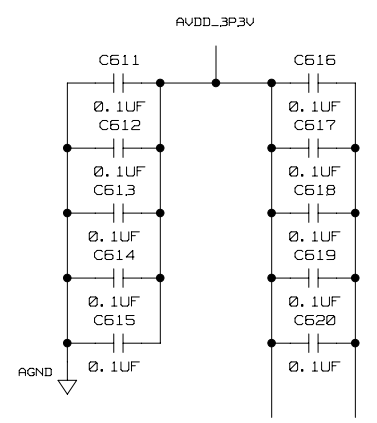
OPTIONAL CLOCK PATH CIRCUIT



CHARGE PUMP FILTER



DECOUPLING



D

C

B