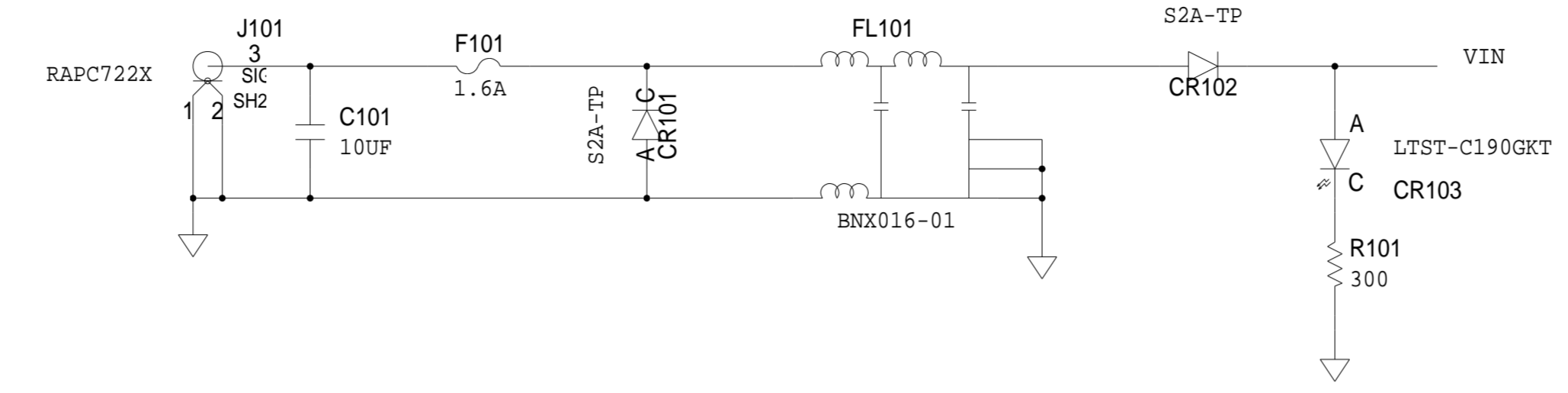


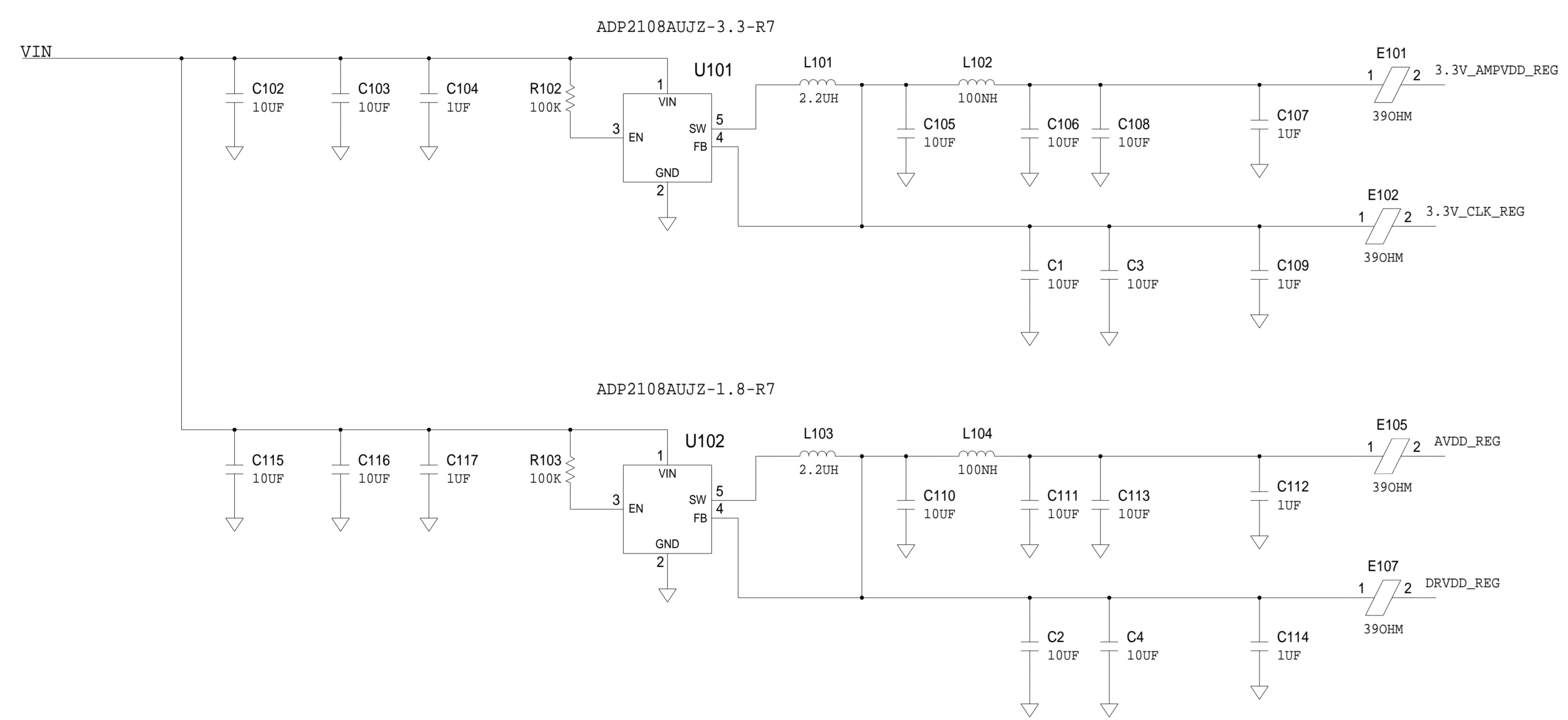
REVISIONS			
REV	DESCRIPTION	DATE	APPROVED
A	INITIAL DESIGN	07/23/2010	C.R.

### POWER SUPPLY INPUT

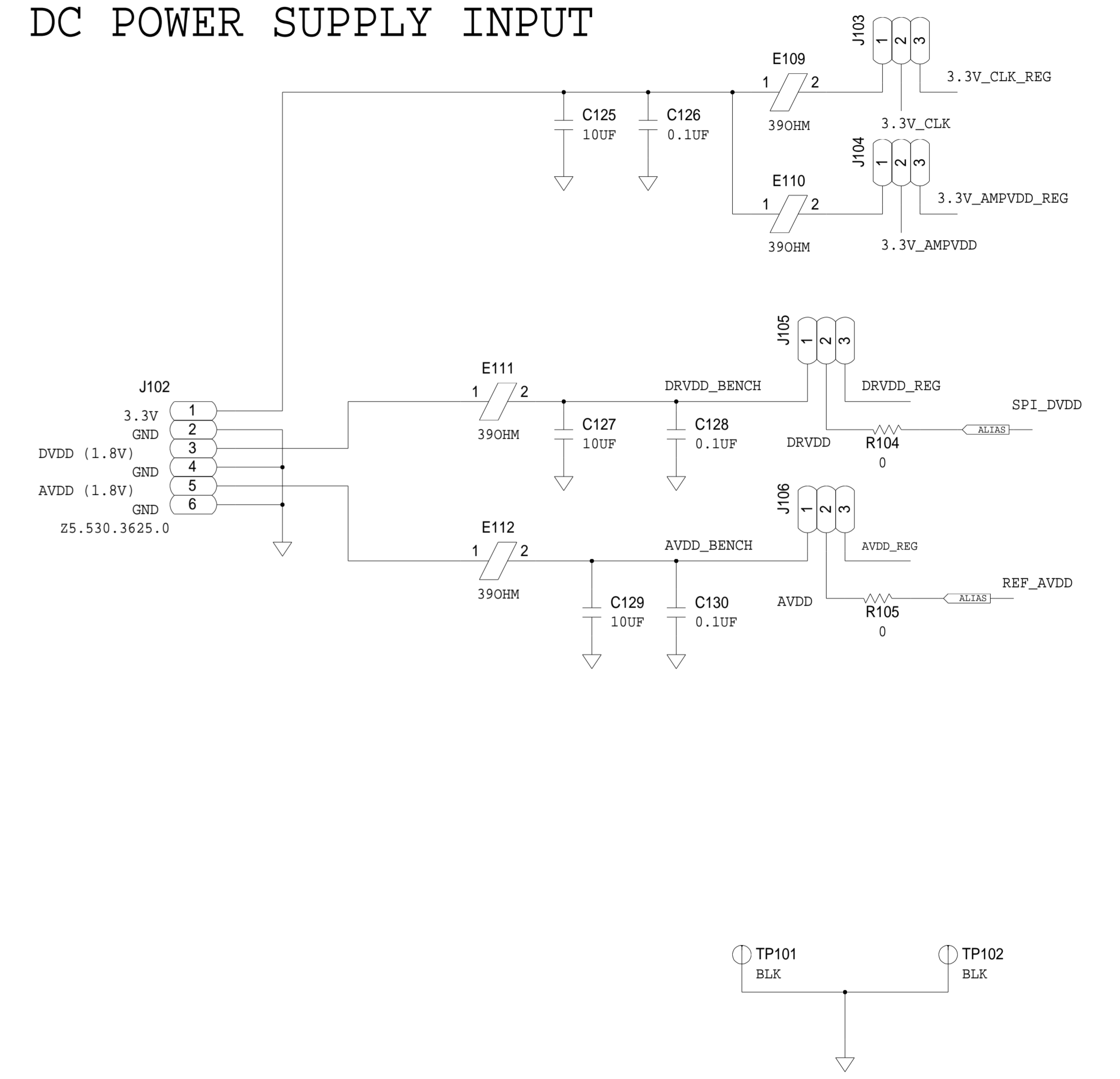


**J103 - J106  
JUMPER SETTINGS**  
 2 -> 3 REGULATOR CONNECTION  
 1 -> 2 DC POWER SUPPLY

### SUPPLY REGULATORS



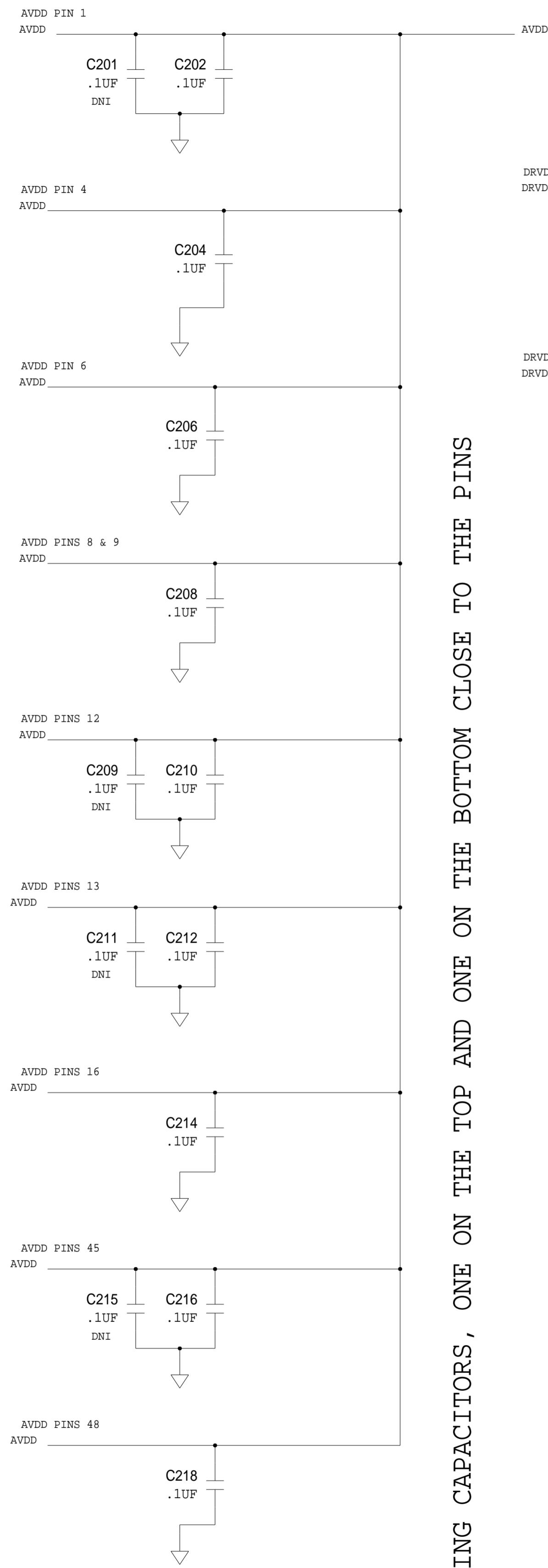
### DC POWER SUPPLY INPUT



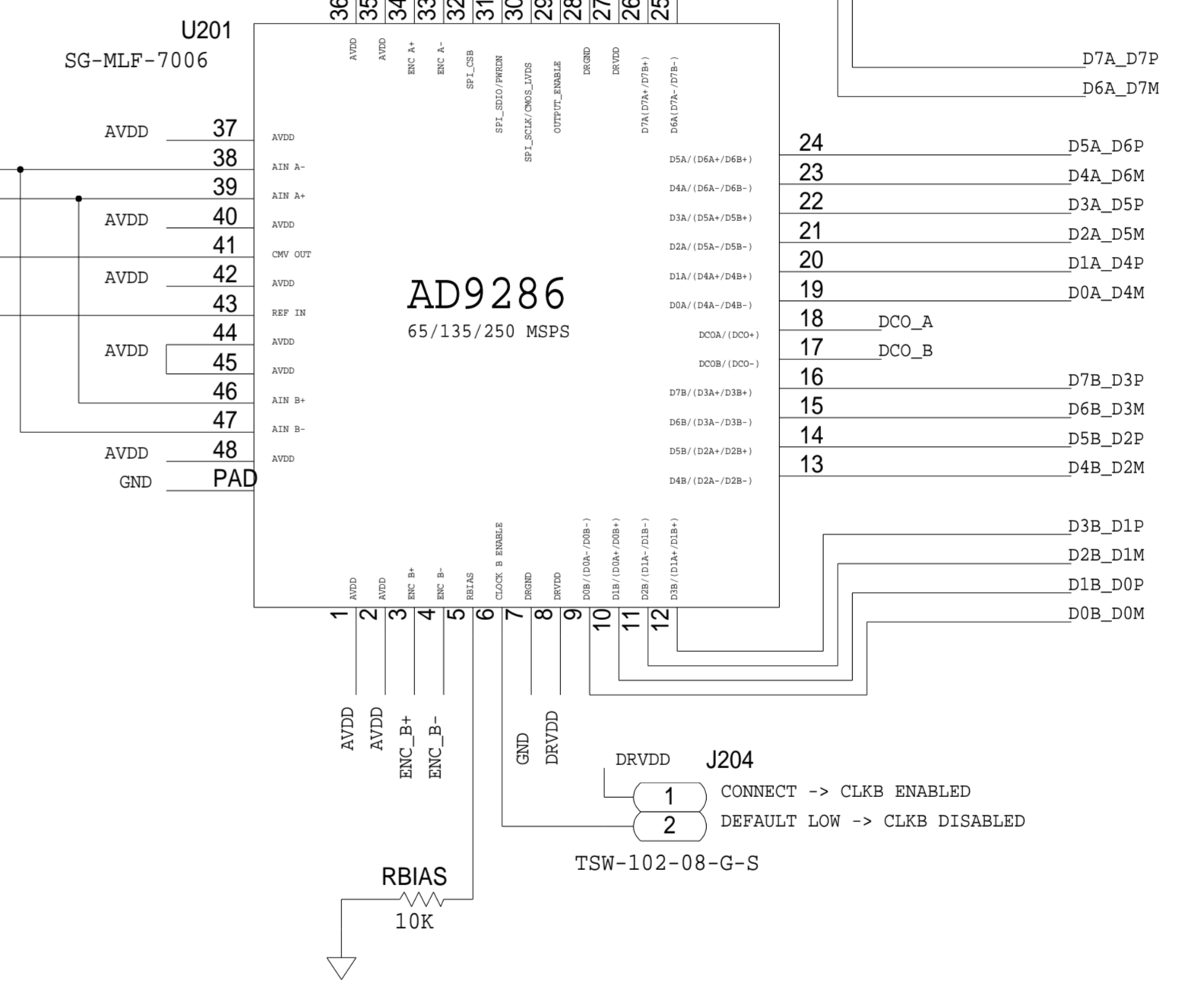
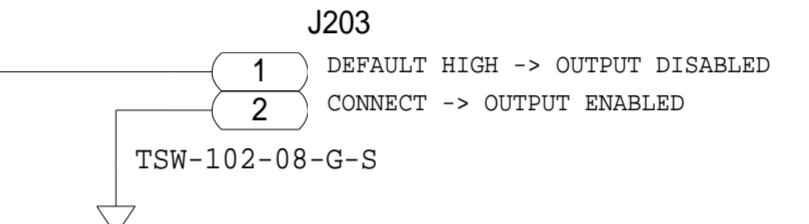
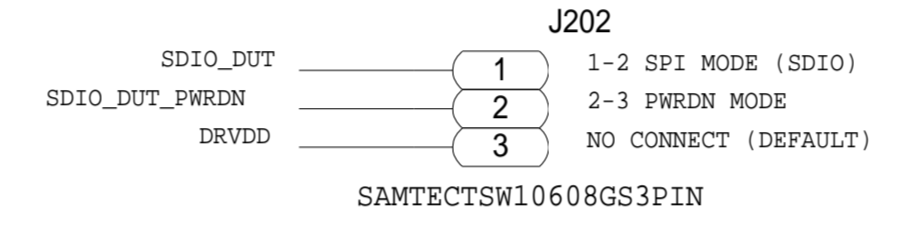
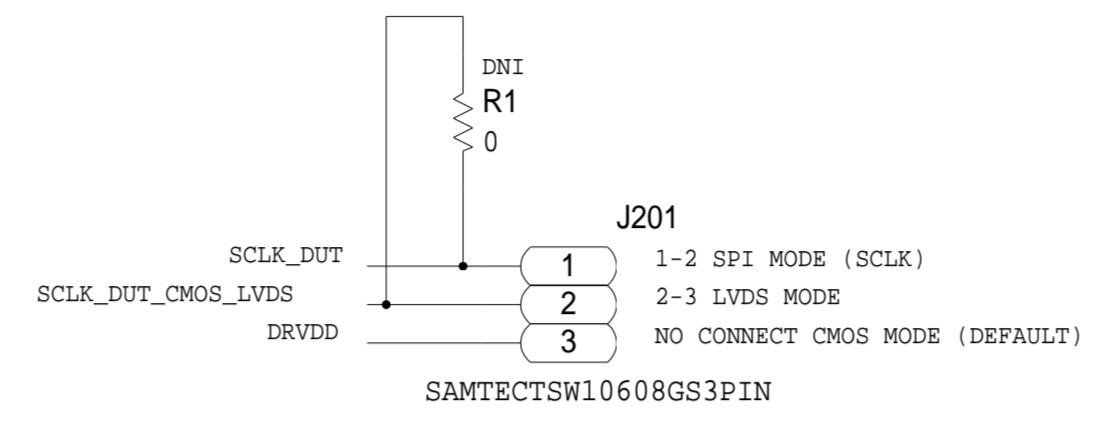
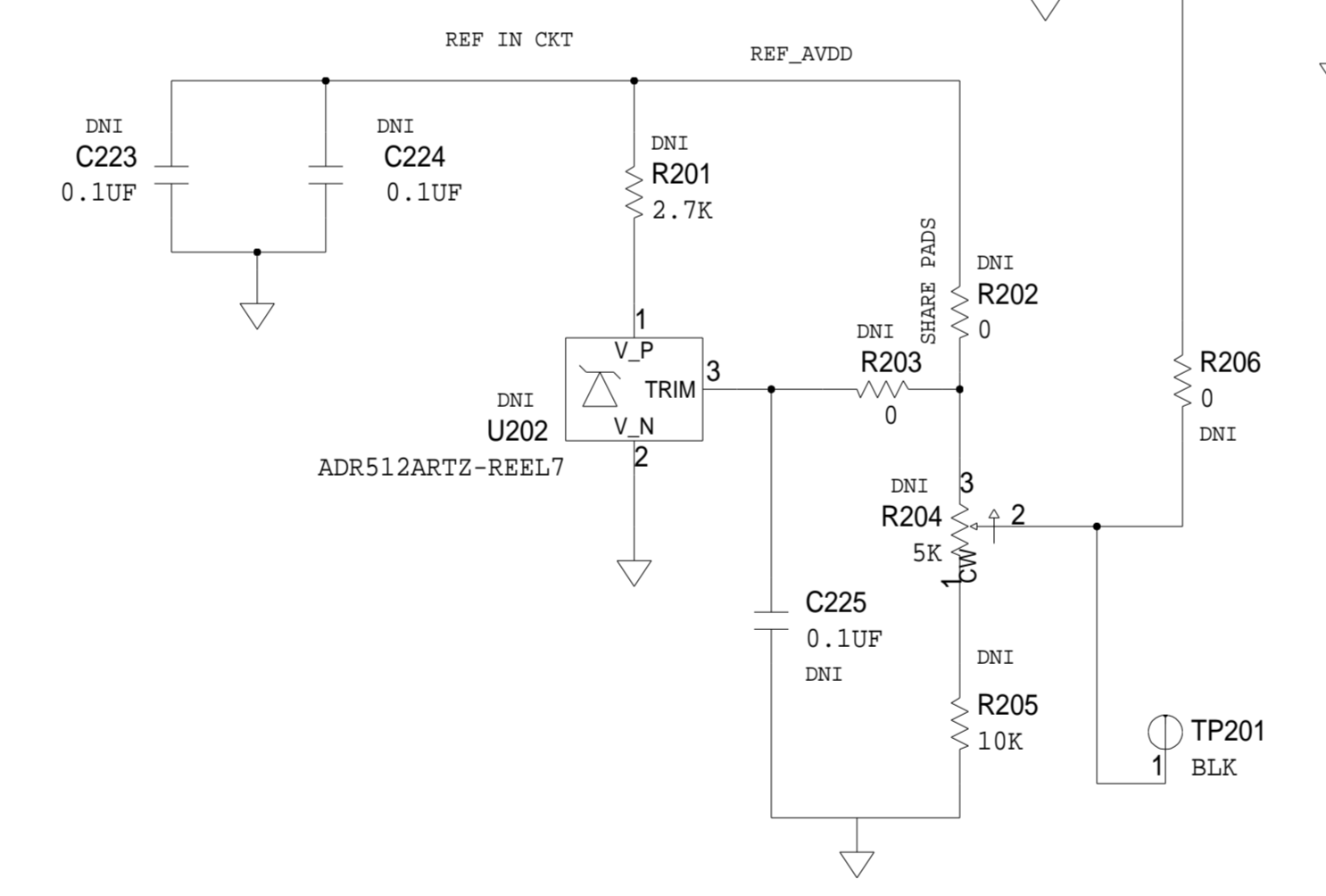
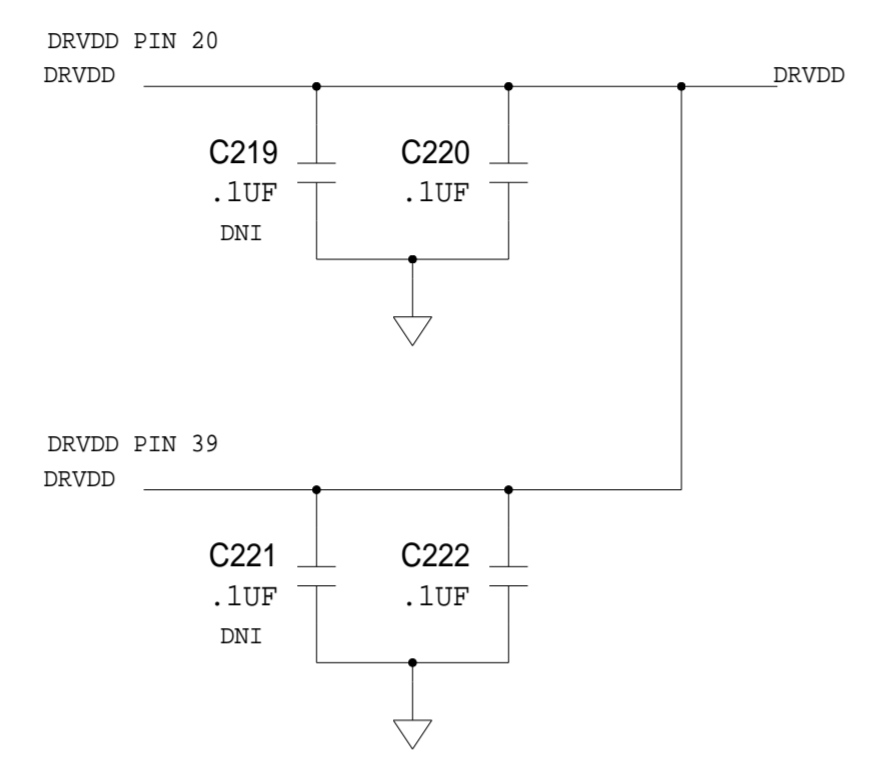
# POWER SUPPLY

	SCHEMATIC		
	AD9286 CUSTOMER EVALUATION BOARD		
AD9286	DESIGN VIEW	DRAWING NO.	REV
-	-	9286CE01A	A
PTD ENGINEER JON HARRIS	SIZE D	SCALE NONE	SHEET 1 OF 7

REVISIONS			
REV	DESCRIPTION	DATE	APPROVED



DECOUPLING CAPACITORS, ONE ON THE TOP AND ONE ON THE BOTTOM CLOSE TO THE PINS

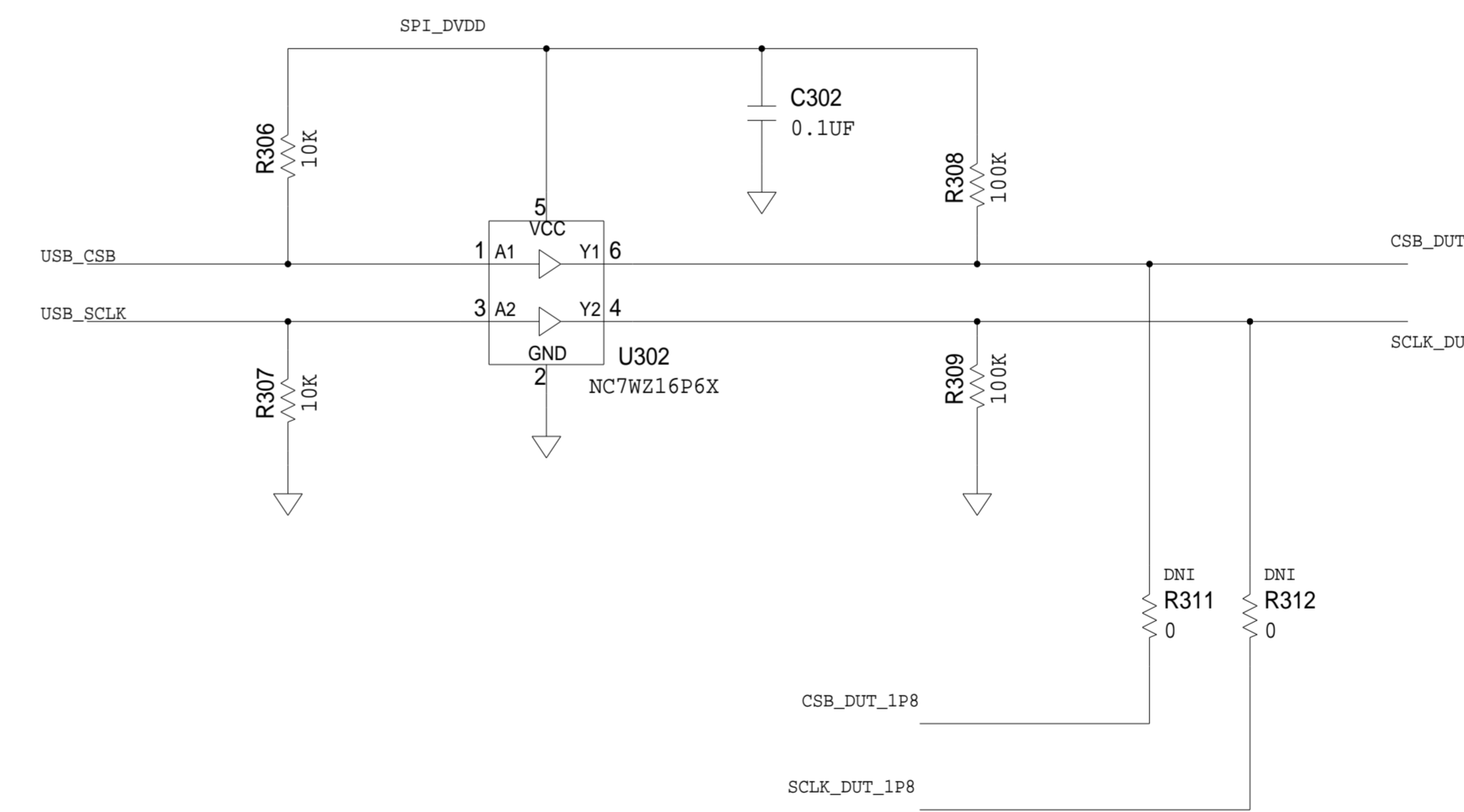
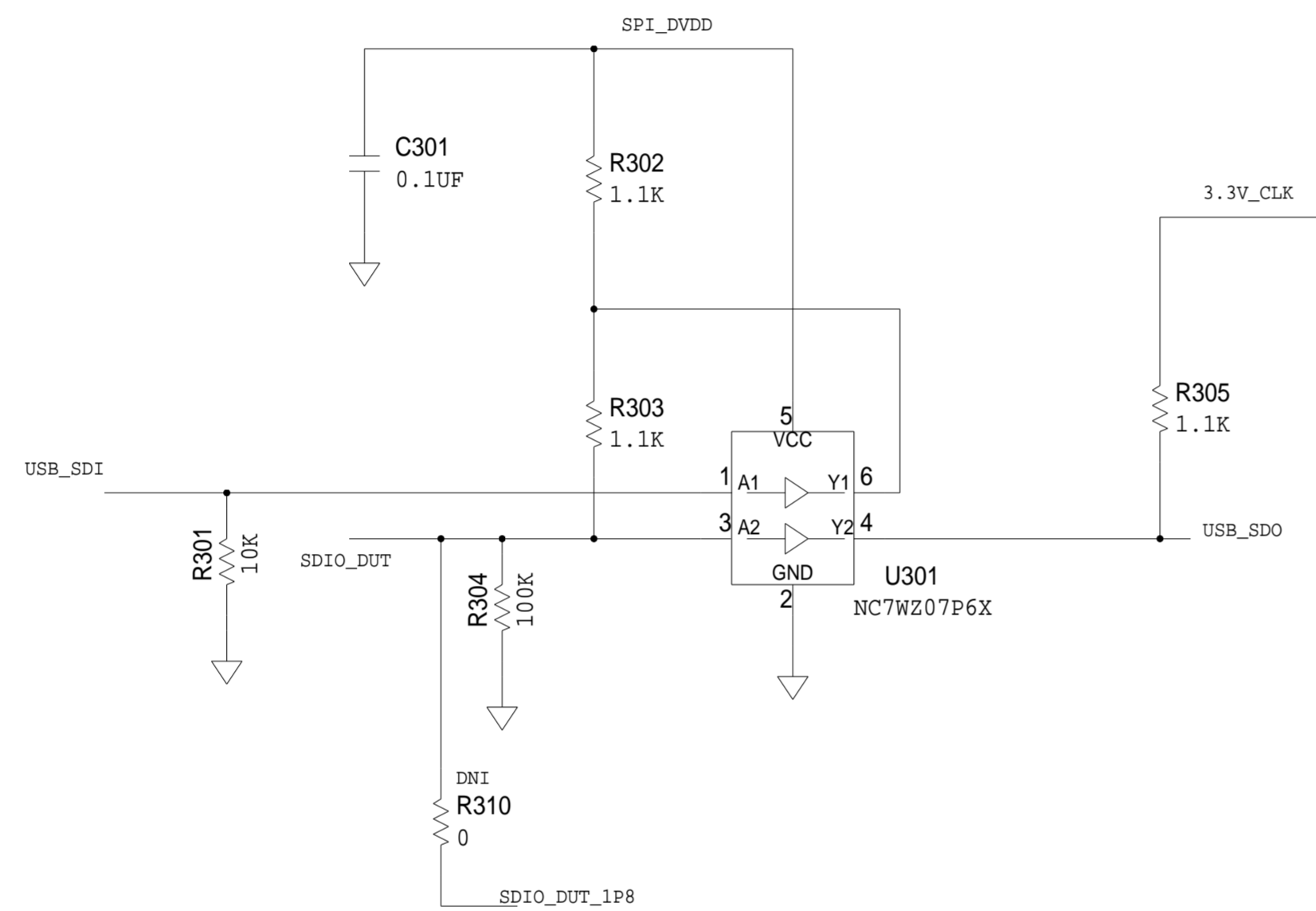


DUT

	SCHEMATIC		
	AD9286 CUSTOMER EVALUATION BOARD		
DESIGN VIEW	DRAWING NO.	REV	
-	9286CE01A	A	
PTD ENGINEER	SIZE	SCALE	SHEET 2 OF 7
JON HARRIS	D	NONE	

REVISIONS			
REV	DESCRIPTION	DATE	APPROVED

### SPI CIRCUITRY



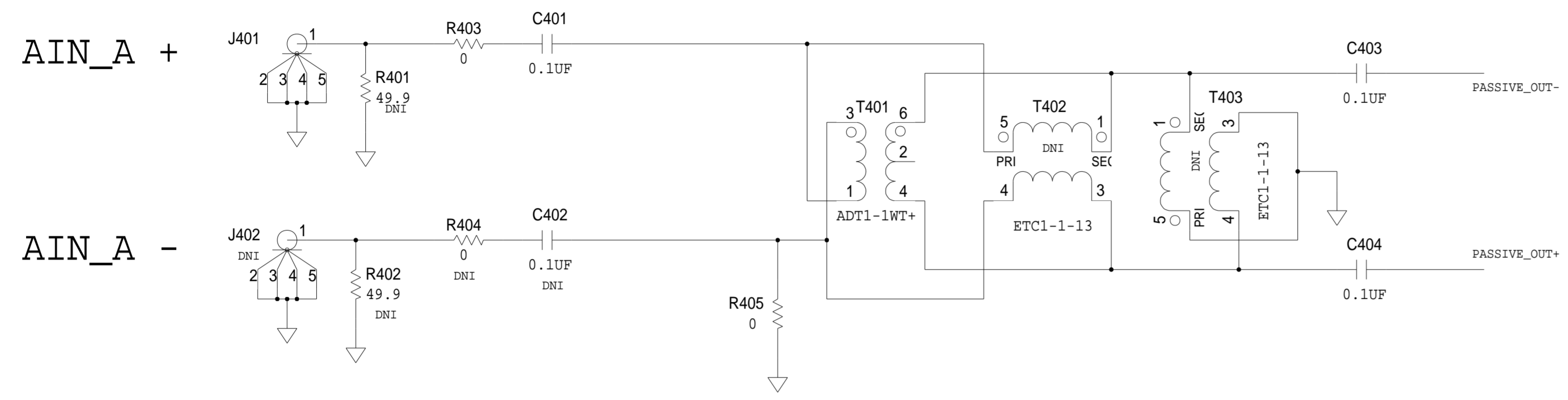
# SPI

	<b>SCHEMATIC</b>		
	AD9286 CUSTOMER EVALUATION BOARD		
DESIGN VIEW	DRAWING NO.	REV	
-	9286CE01A	A	
PTD ENGINEER	SIZE	SCALE	SHEET 3 OF 7
JON HARRIS	D	NONE	

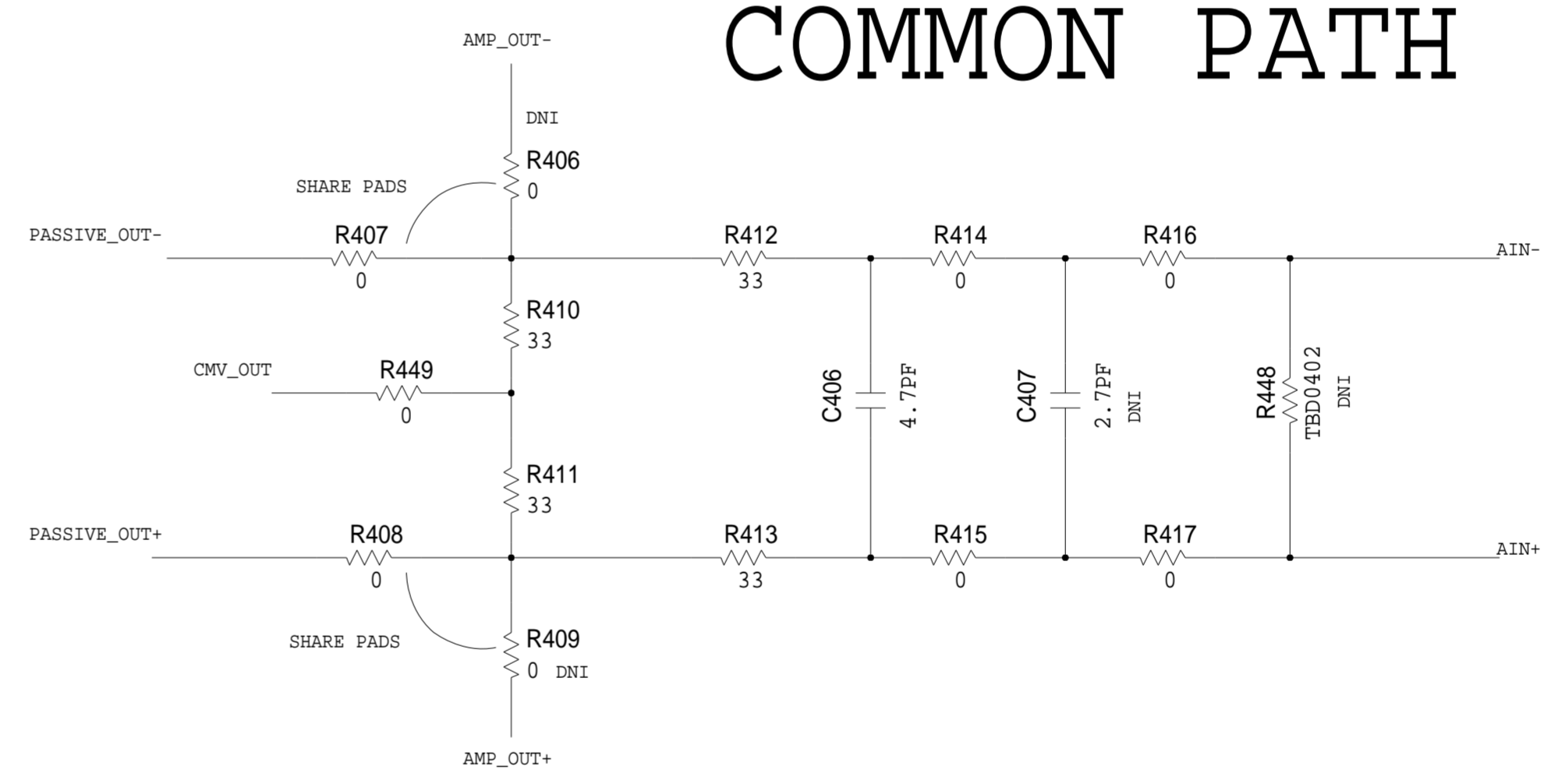
REVISIONS			
REV	DESCRIPTION	DATE	APPROVED

# PASSIVE PATH

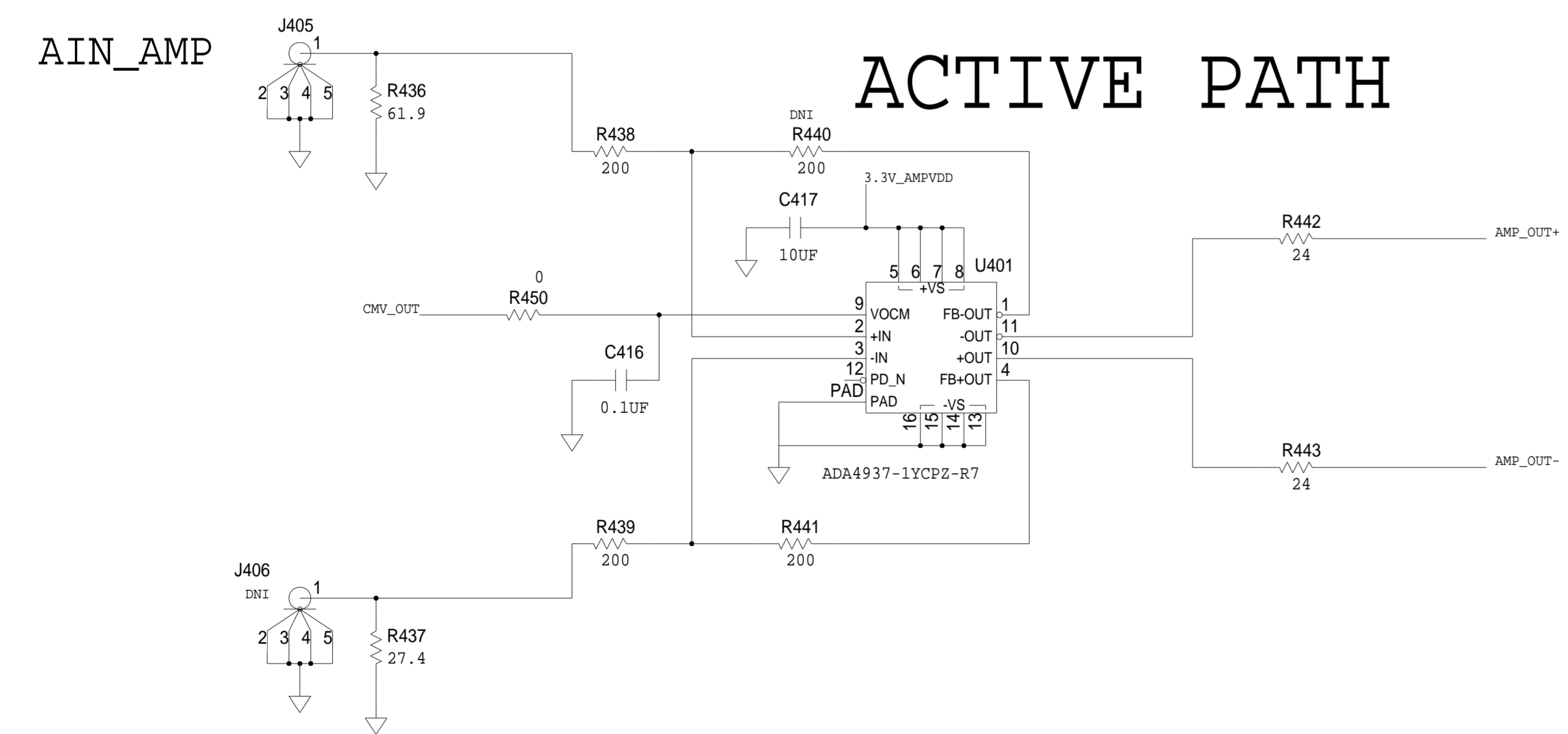
LAYOUT: SMA'S SHOULD BE 540 MILS CENTER TO CENTER



# COMMON PATH



# ACTIVE PATH

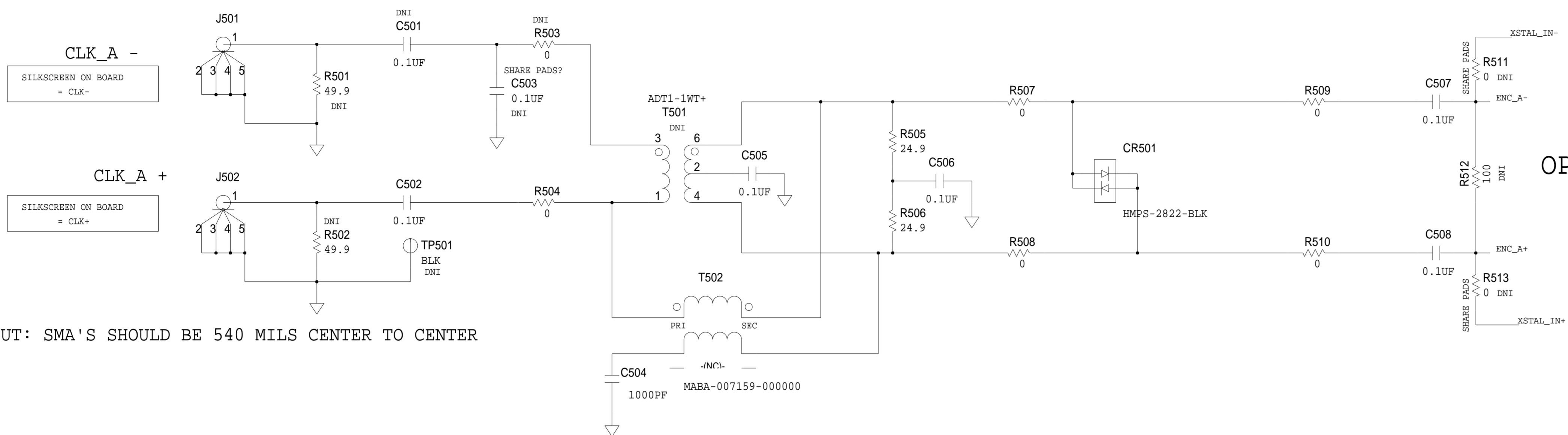


# ANALOG INPUT

	SCHEMATIC		
	AD9286 CUSTOMER EVALUATION BOARD		
AD9286	DESIGN VIEW	DRAWING NO.	REV
-	-	9286CE01A	A
PTD ENGINEER	SIZE	SCALE	SHEET 4 OF 7
JON HARRIS	D	NONE	

REVISIONS			
REV	DESCRIPTION	DATE	APPROVED

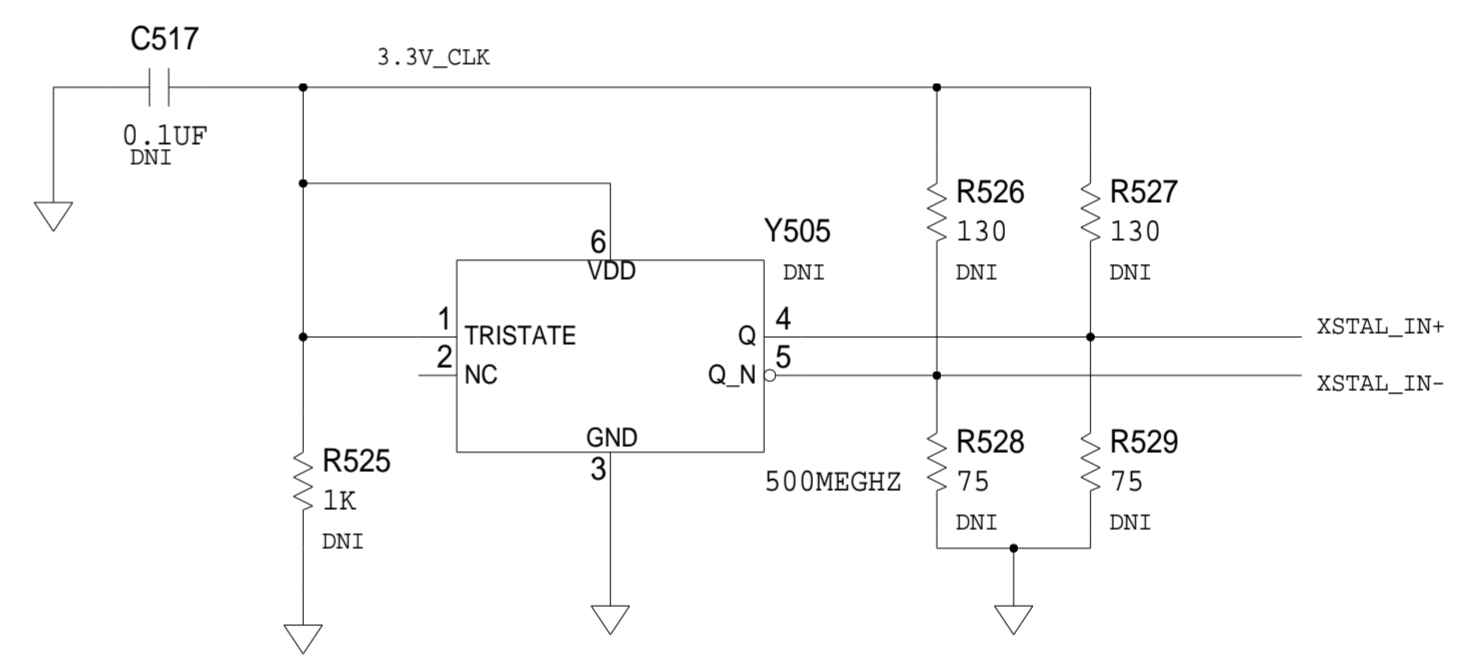
# XFMR / BALUN CLK CIRCUITRY



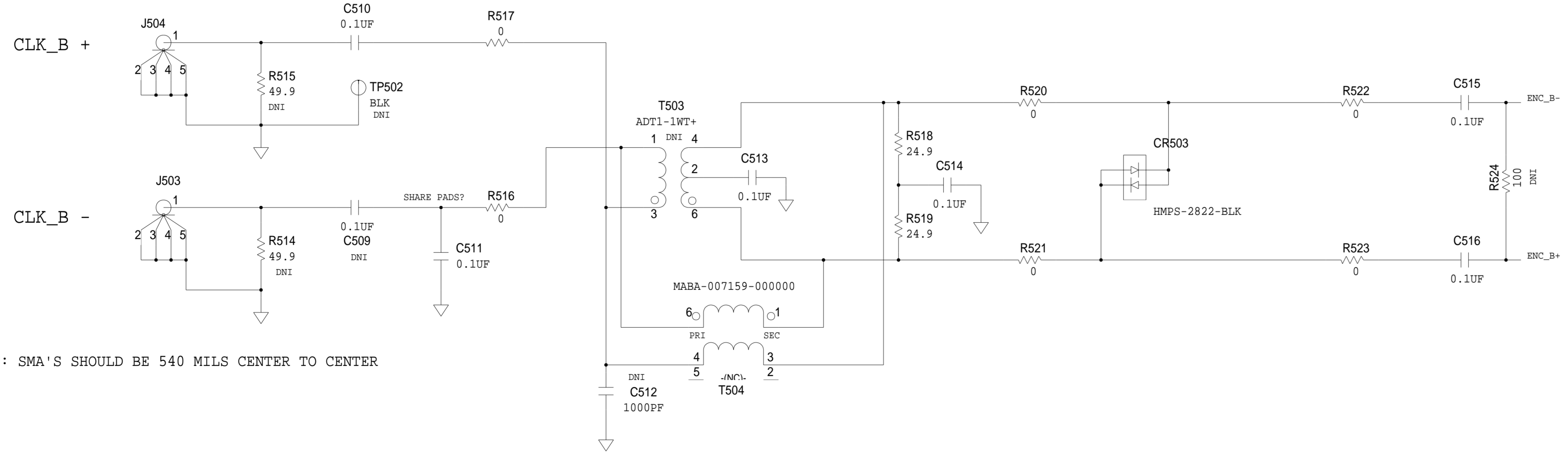
OPTIONAL TERMINATION NEAR DUT

LAYOUT: SMA'S SHOULD BE 540 MILS CENTER TO CENTER

## OPTIONAL CRYSTAL OSCILLATOR CLOCK SOURCE



## OPTIONAL CLOCK B INPUT



OPTIONAL TERMINATION NEAR DUT

LAYOUT: SMA'S SHOULD BE 540 MILS CENTER TO CENTER

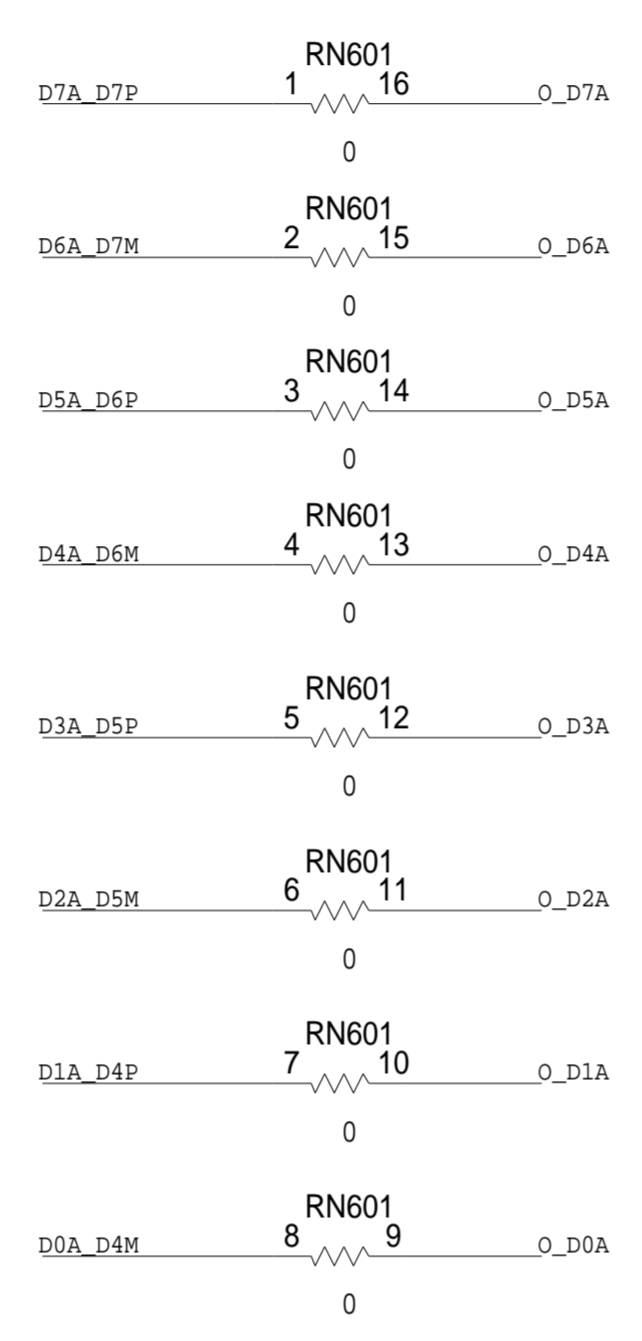
# CLOCK

	SCHEMATIC		
	AD9286 CUSTOMER EVALUATION BOARD		
	AD9286		
	-		
DESIGN VIEW	DRAWING NO.	REV	
-	9286CE01A	A	
PTD ENGINEER	SIZE	SCALE	
JON HARRIS	D	NONE	SHEET 5 OF 7

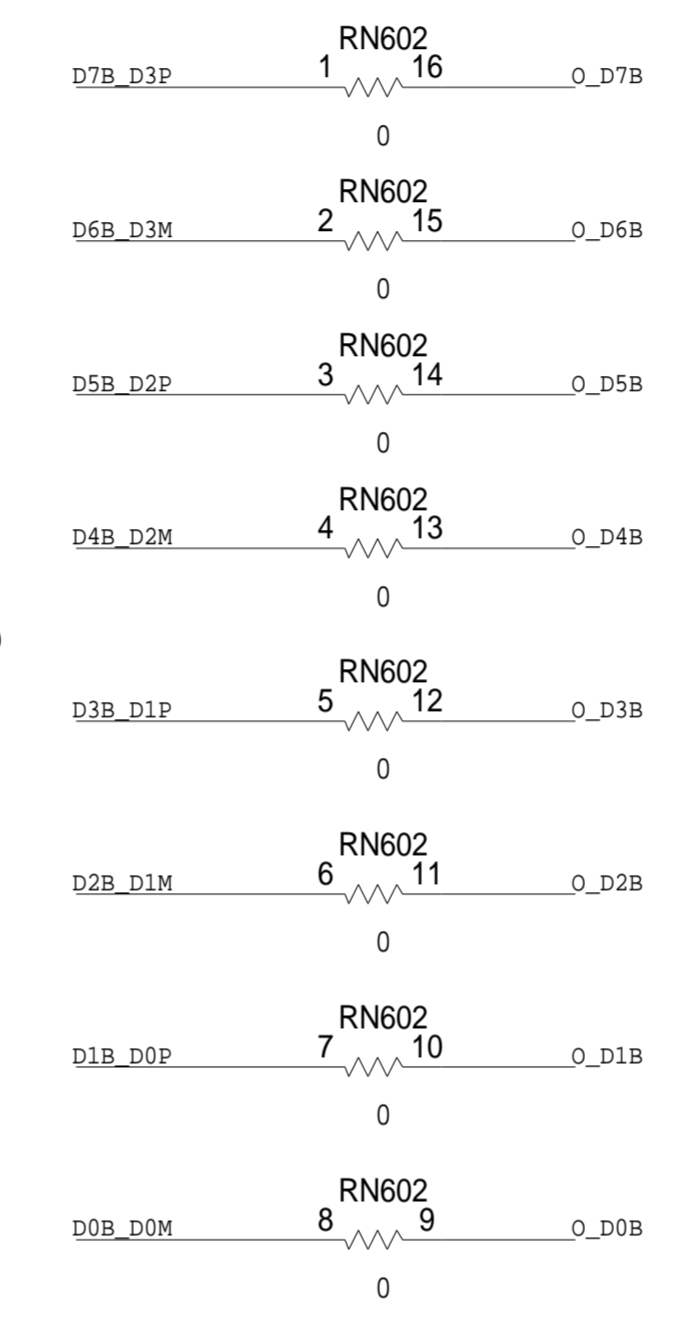
REVISIONS			
REV	DESCRIPTION	DATE	APPROVED

0 OHM RESISTOR NETWORK FOR LVDS MODE  
 22 OHM RESISTOR NETWORK FOR CMOS MODE

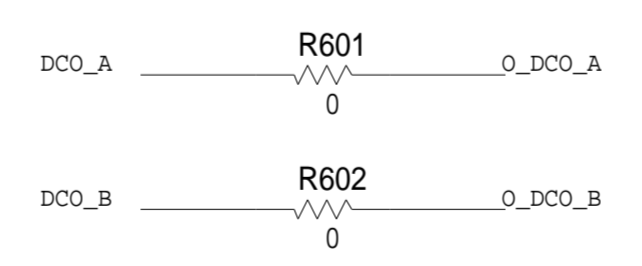
CHANNEL A



CHANNEL B



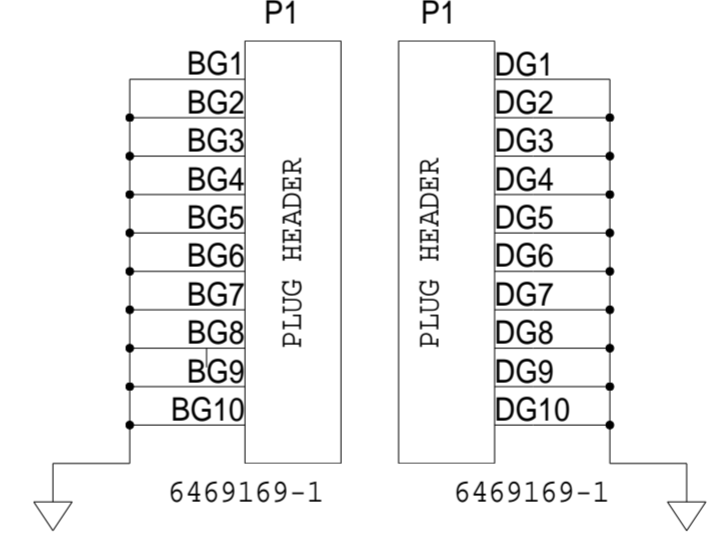
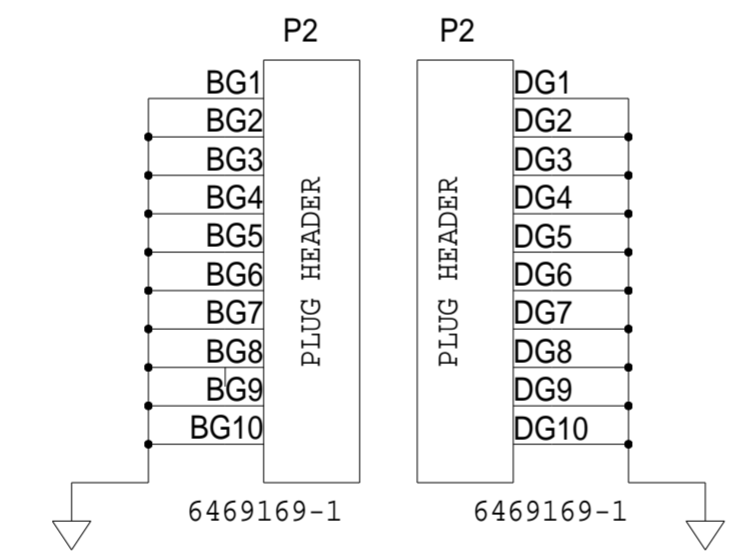
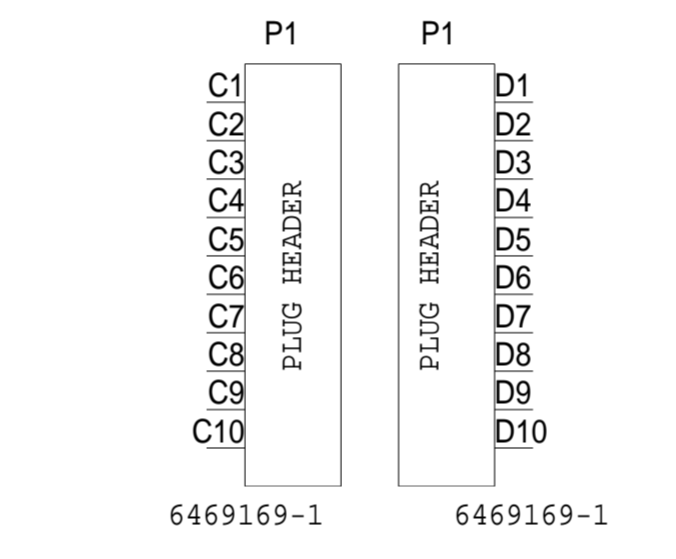
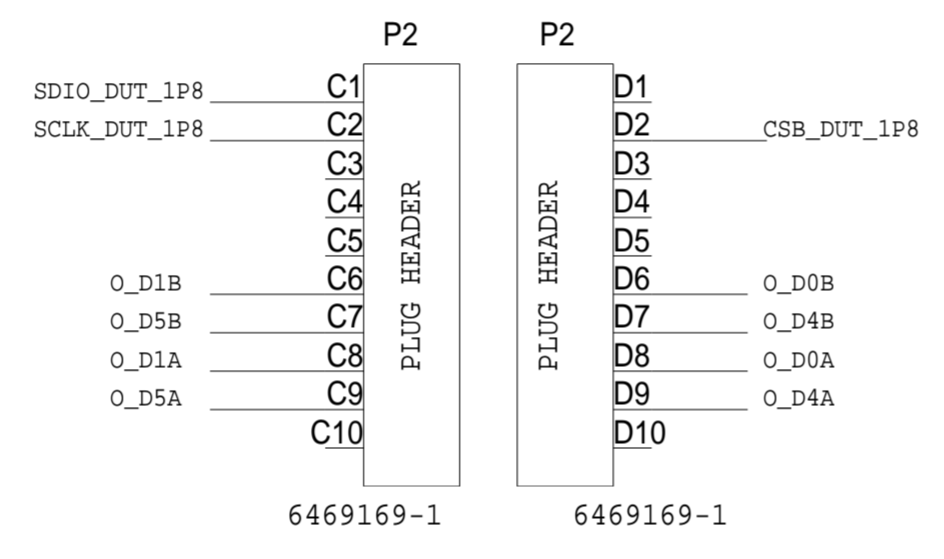
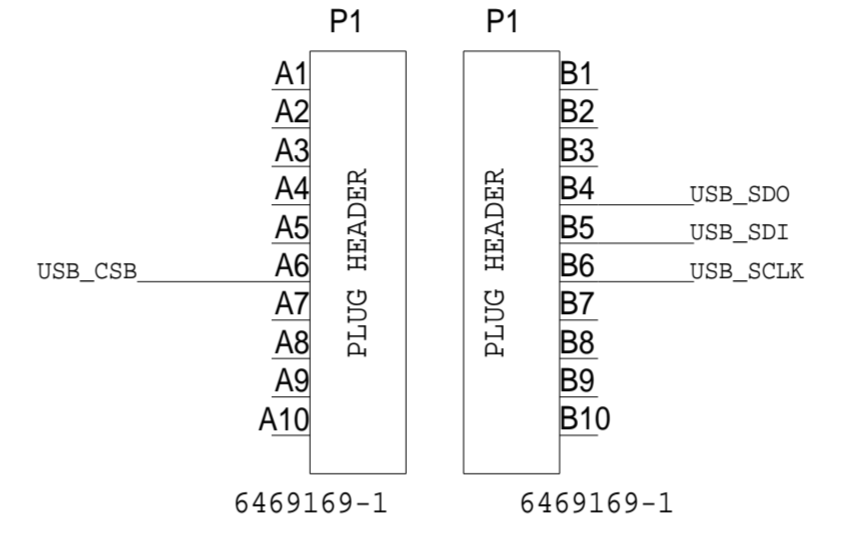
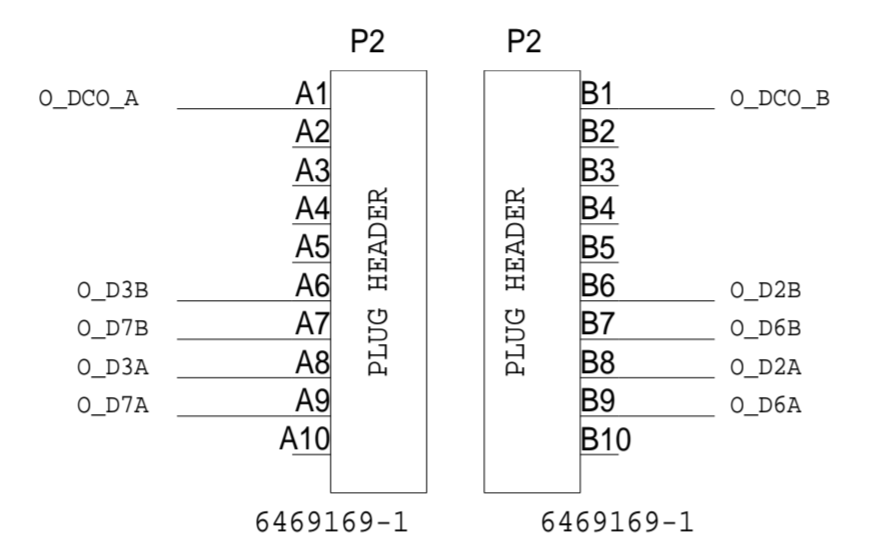
DCO



OUTPUT NETWORK

	SCHEMATIC		
	AD9286 CUSTOMER EVALUATION BOARD		
	AD9286		
DESIGN VIEW	DRAWING NO.	REV	
-	9286CE01A	A	
PTD ENGINEER	SIZE	SCALE	SHEET 6 OF 7
JON HARRIS	D	NONE	

REVISIONS			
REV	DESCRIPTION	DATE	APPROVED



# FIFO5 CONNECTIONS

	SCHEMATIC		
	AD9286 CUSTOMER EVALUATION BOARD AD9286		
DESIGN VIEW	DRAWING NO.	REV	
-	9286CE01A	A	
PTD ENGINEER	SIZE	SCALE	SHEET 7 OF 7
JON HARRIS	D	NONE	