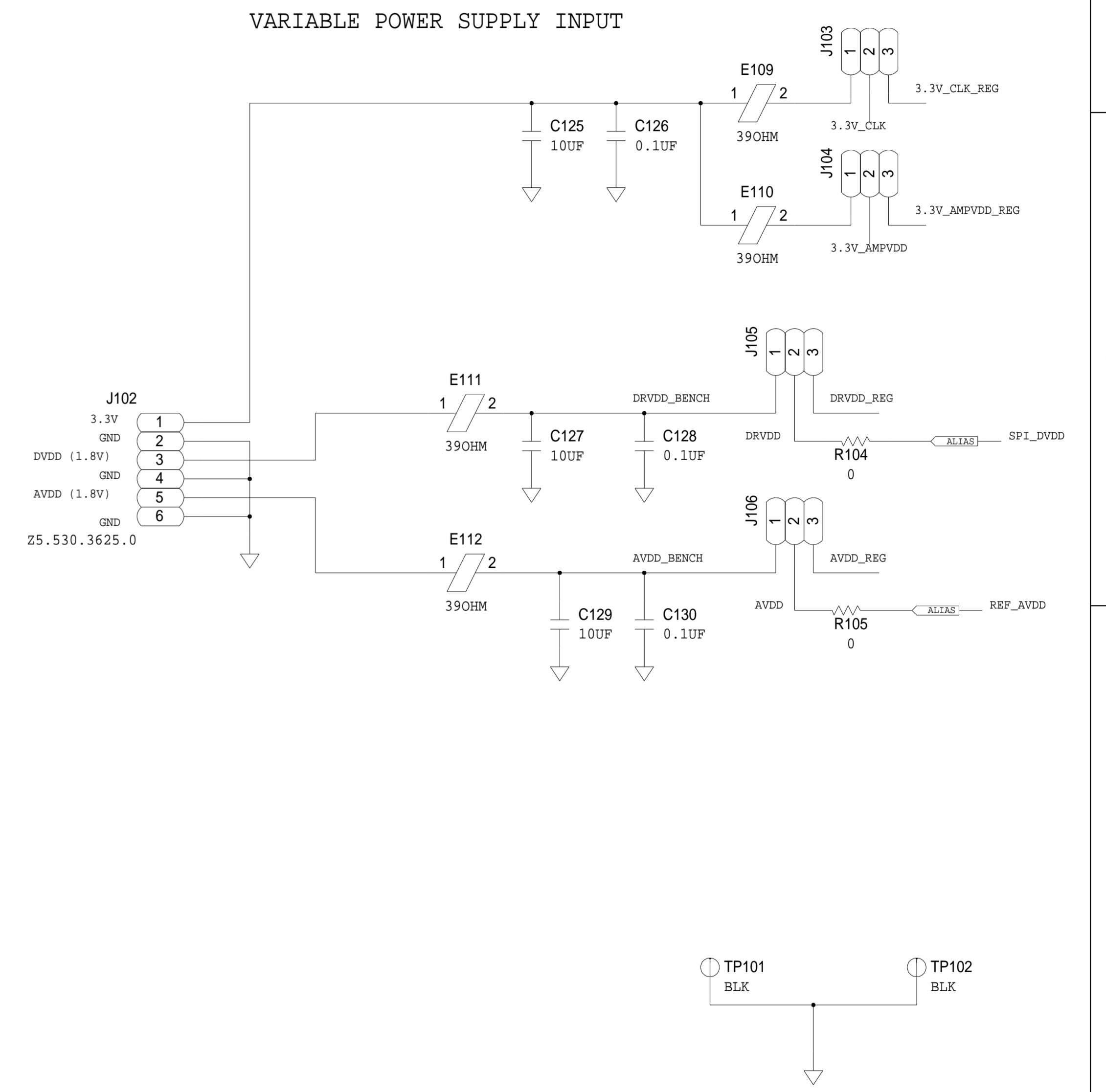
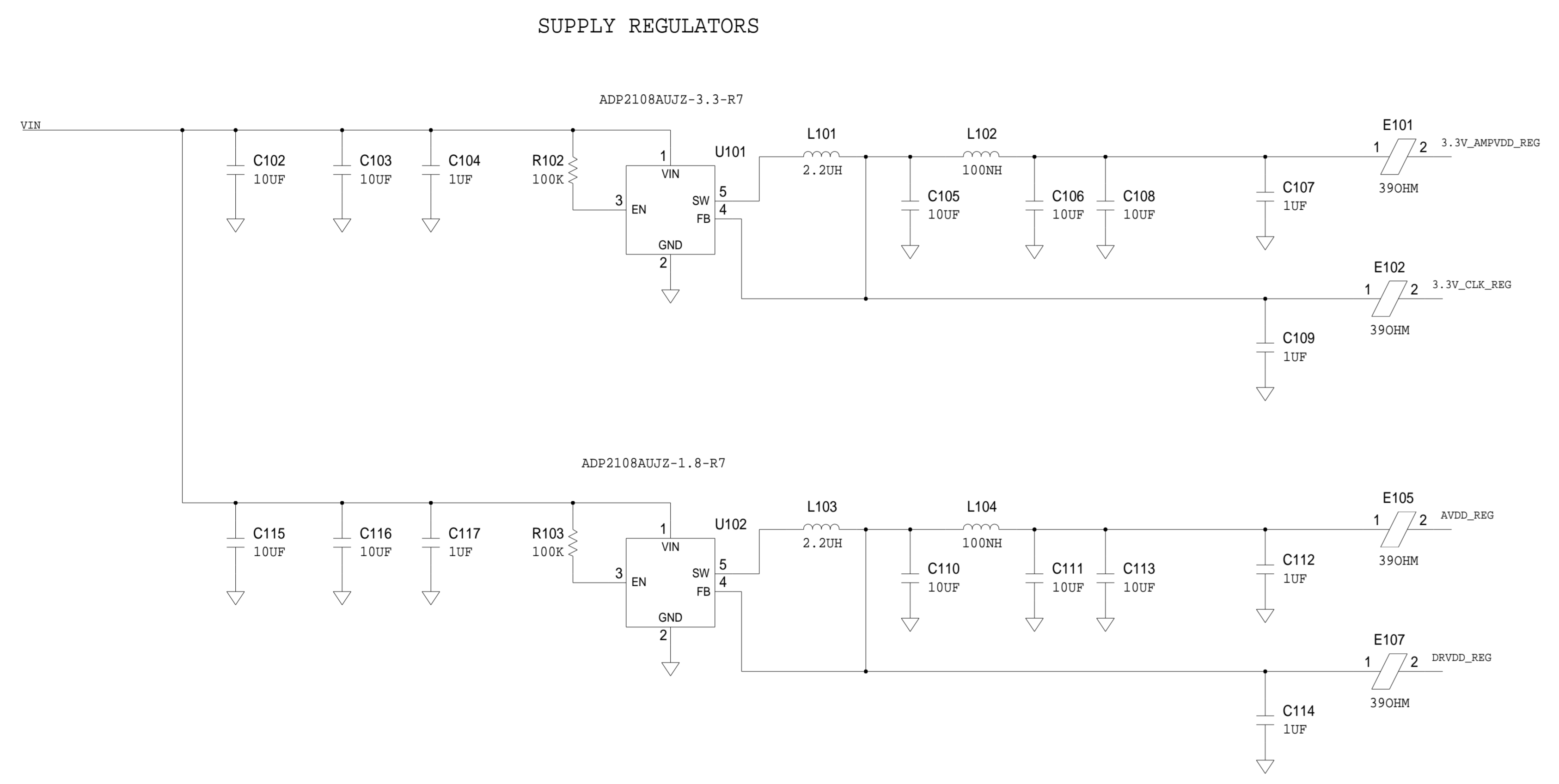
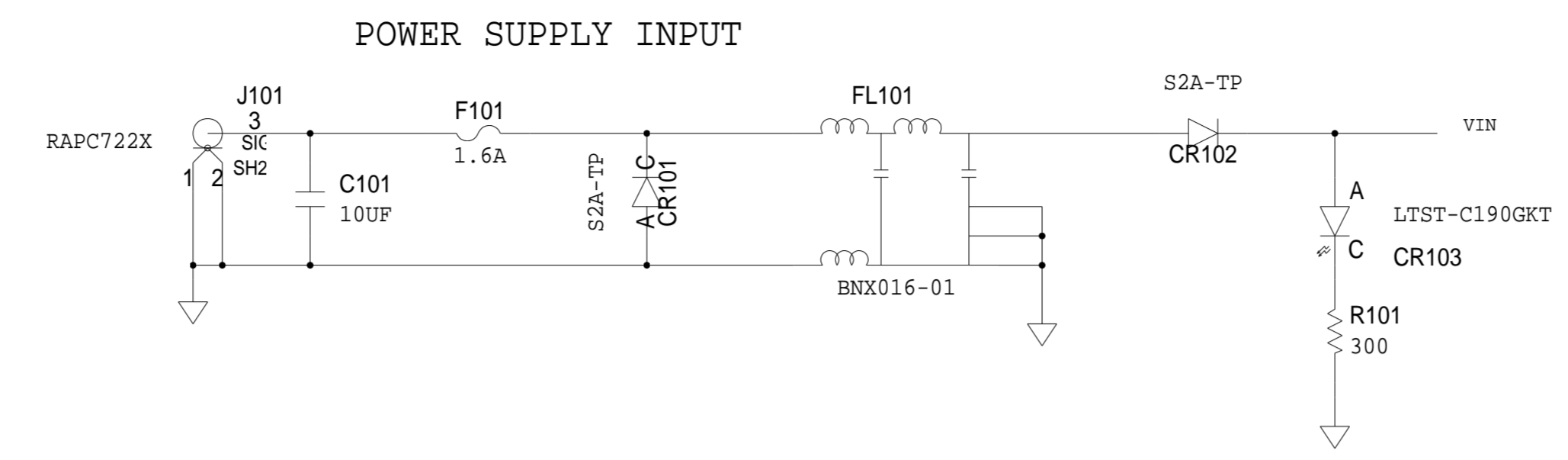


REVISIONS			
REV	DESCRIPTION	DATE	APPROVED
A	AD9284CE01A	07/28/10	C.H.



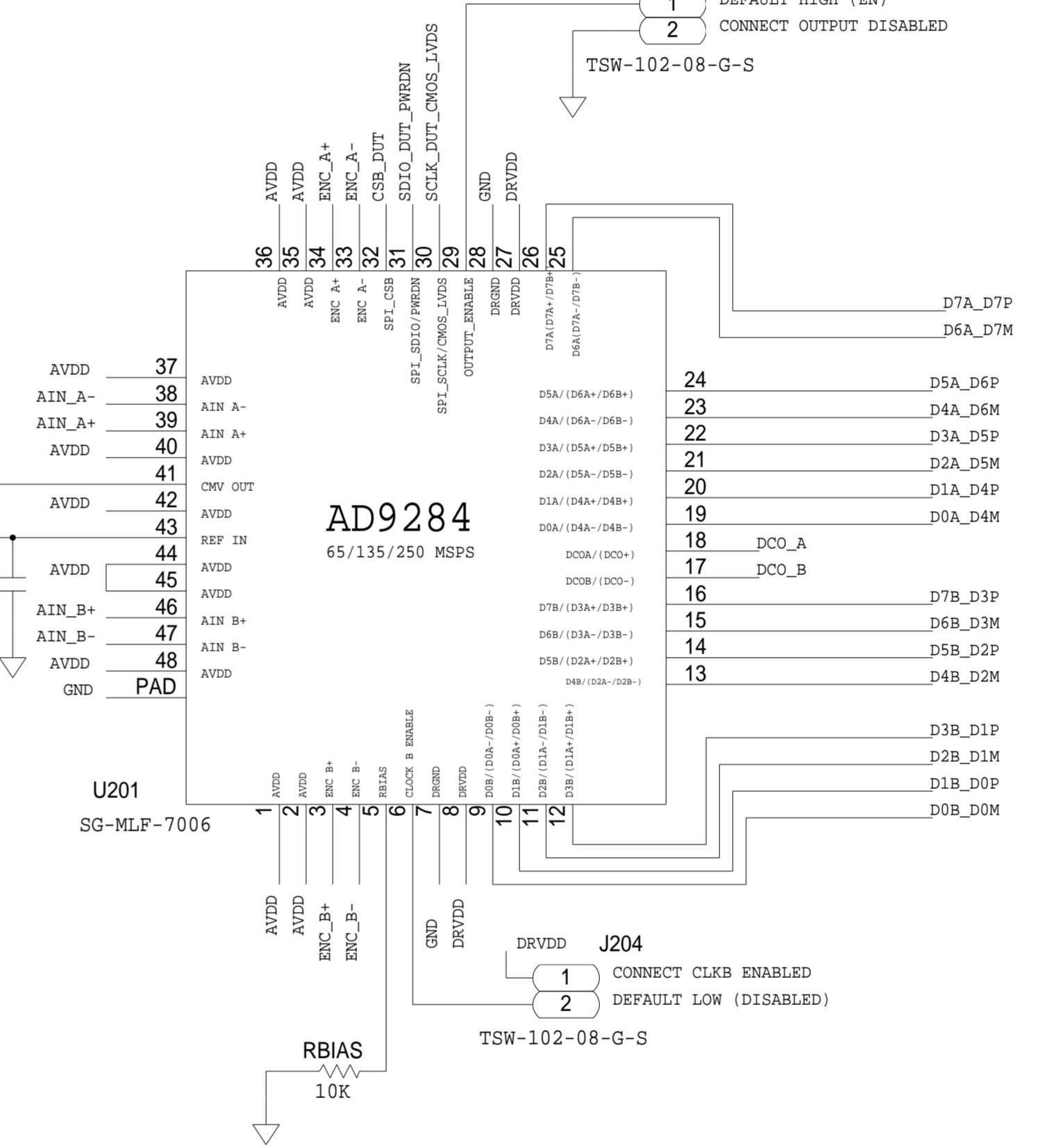
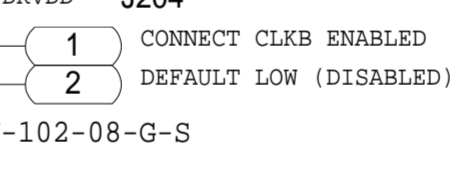
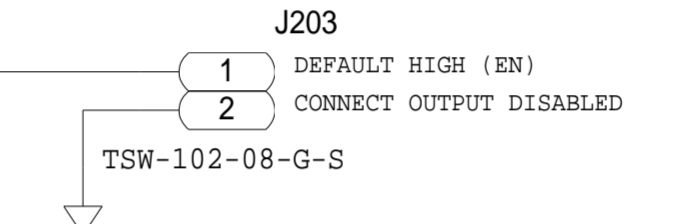
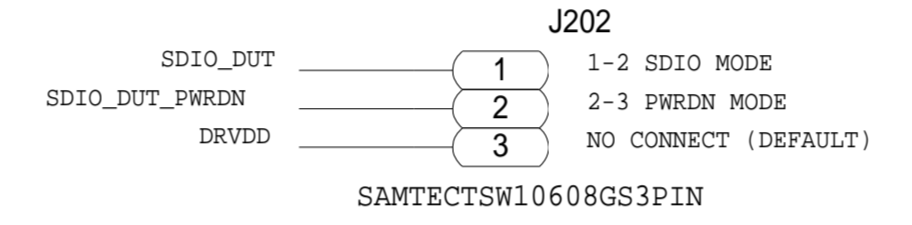
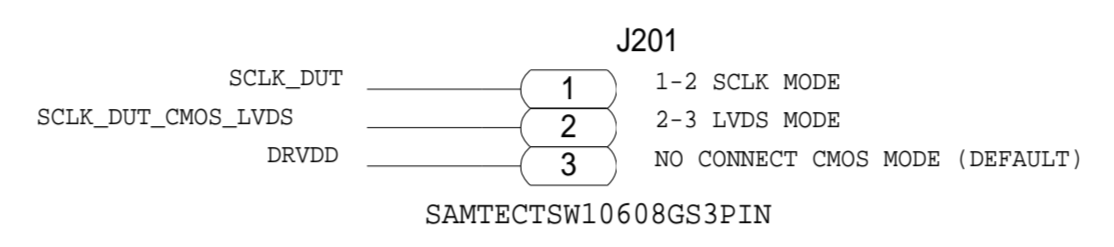
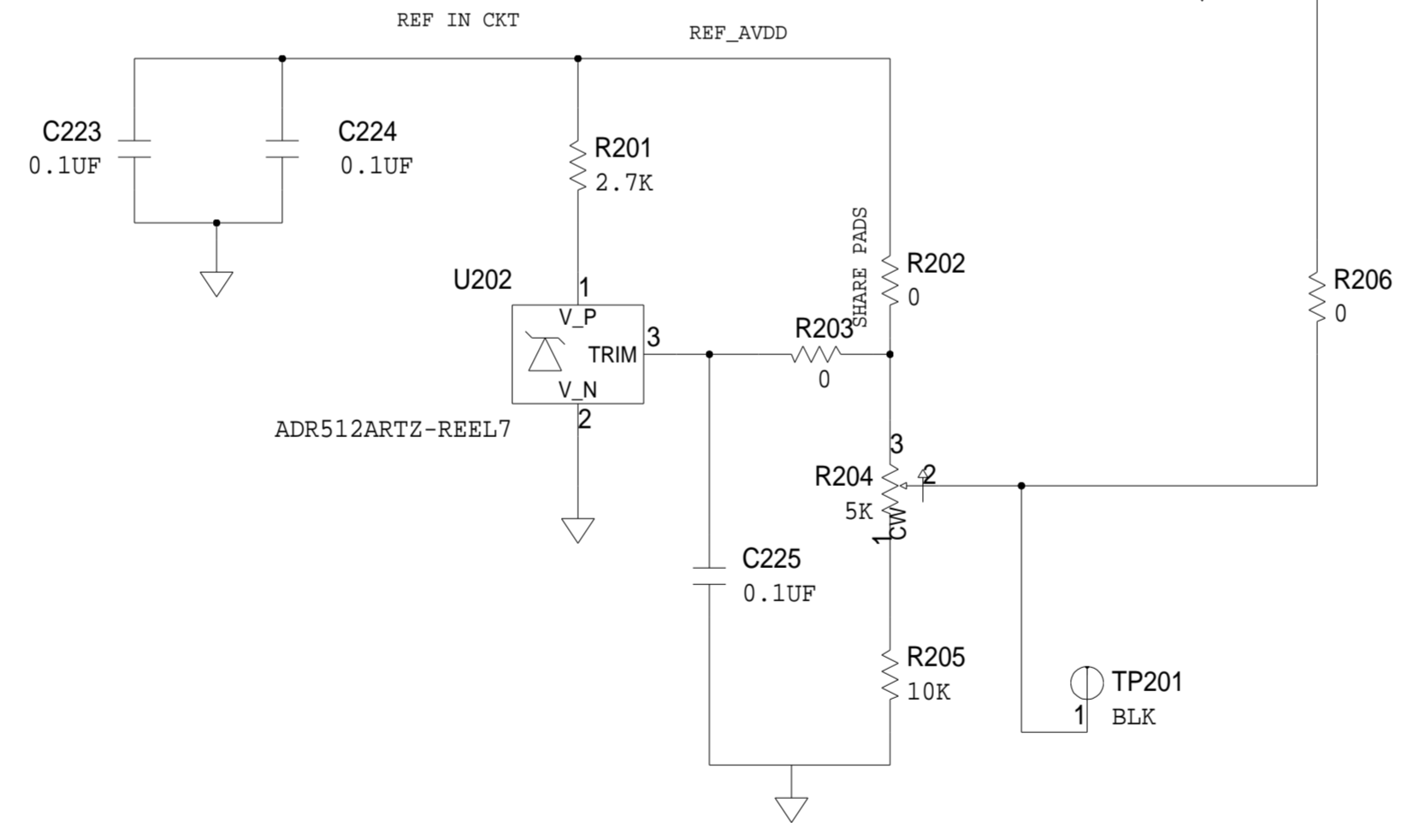
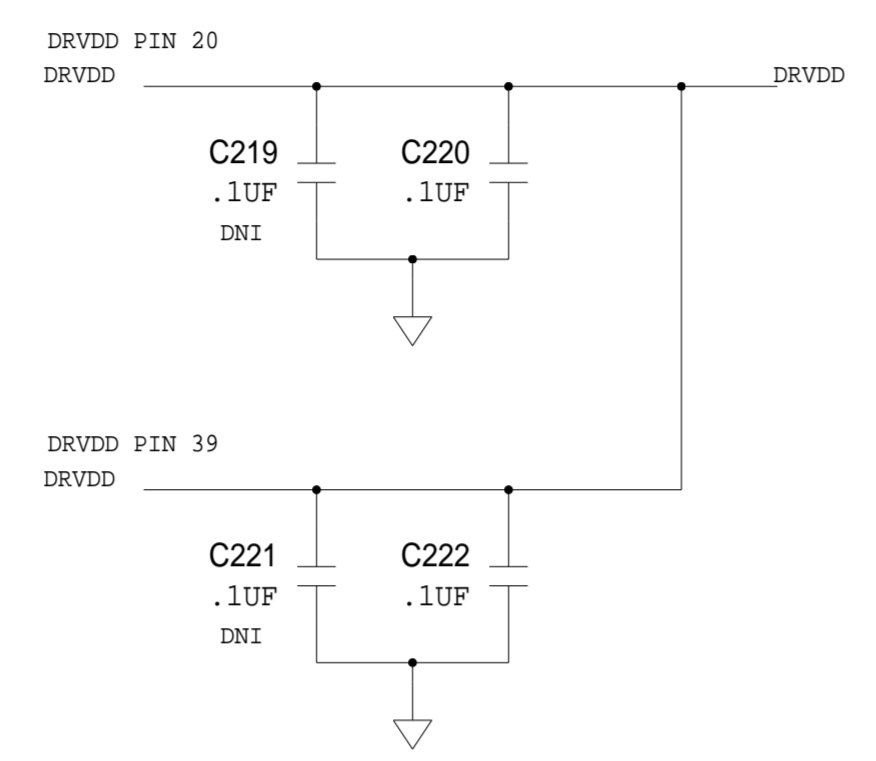
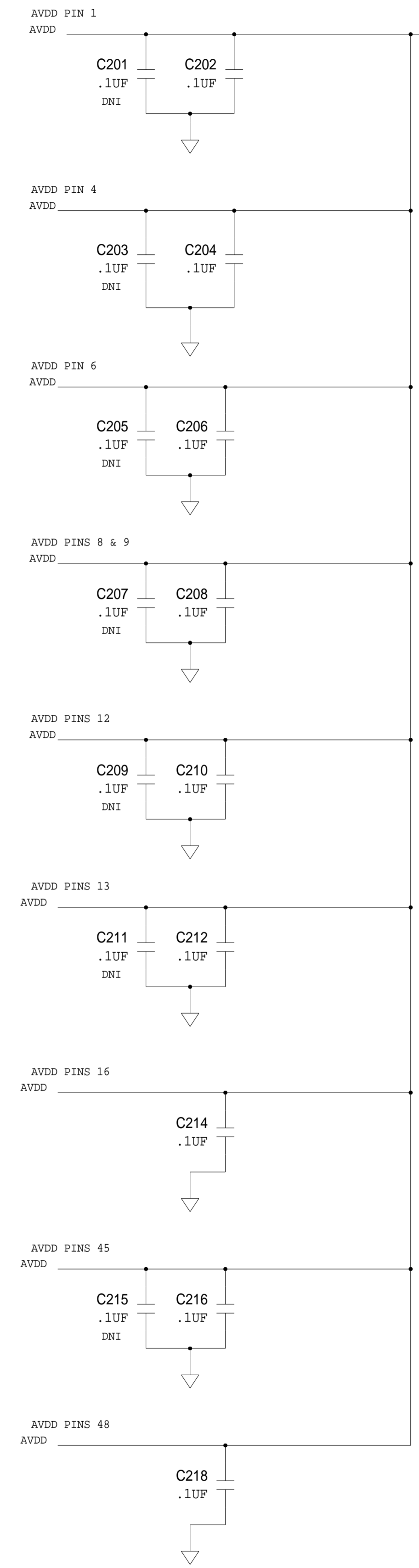
POWER SUPPLY

	SCHEMATIC		
	9284 CUSTOMER EVALUATION BOARD AD9284		
DESIGN VIEW	DRAWING NO.	REV	
-	9284CE01A	A	
PTD ENGINEER	SIZE	SCALE	SHEET 1 OF 7
JON HARRIS	D	NONE	

REVISIONS			
REV	DESCRIPTION	DATE	APPROVED

DURING LAYOUT CHECK IF WE CAN FIT 0402 ELSE 0201

DECOUPLING CAPACITORS, ONE ON THE TOP AND ONE ON THE BOTTOM CLOSE TO THE PINS

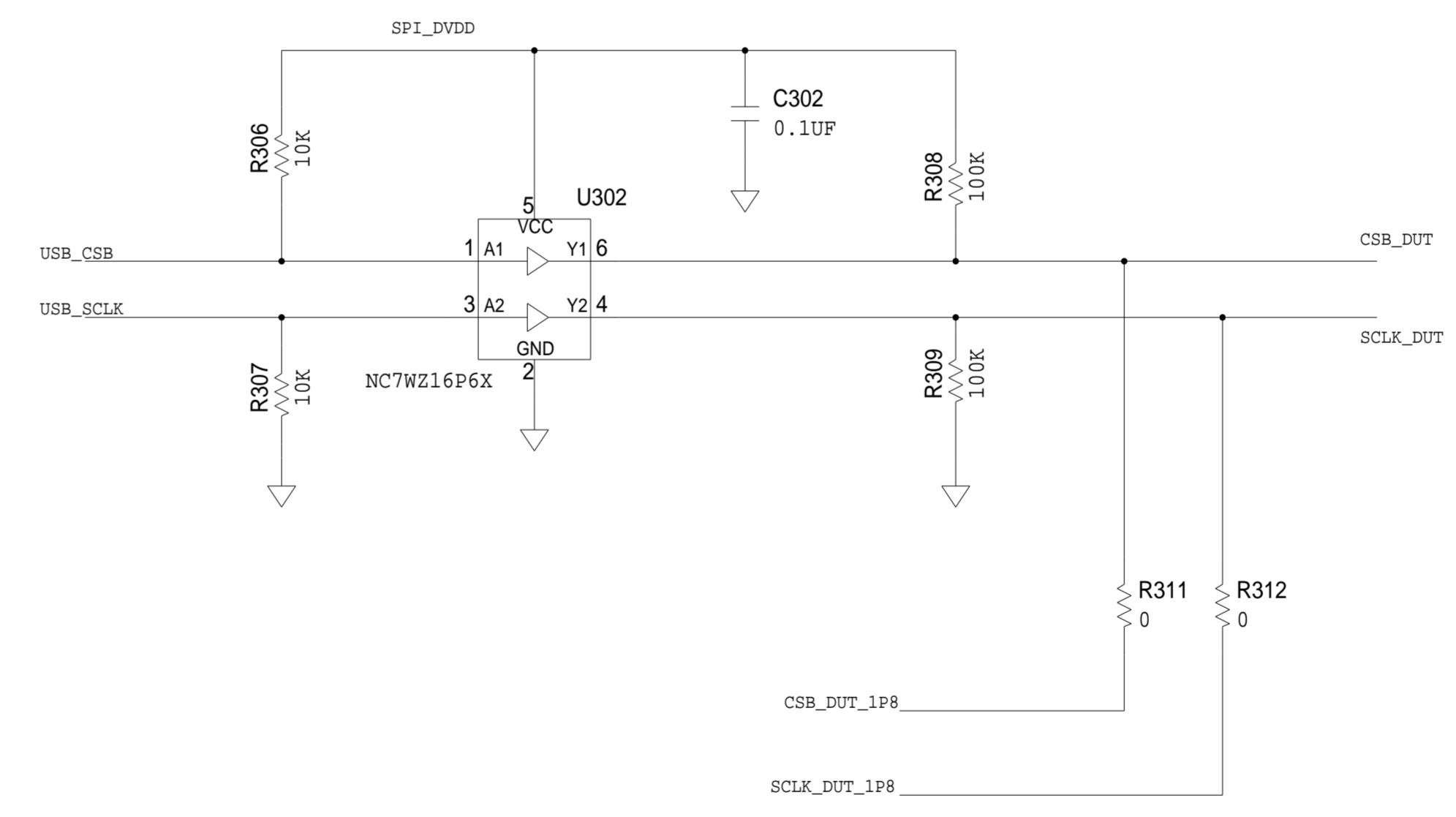
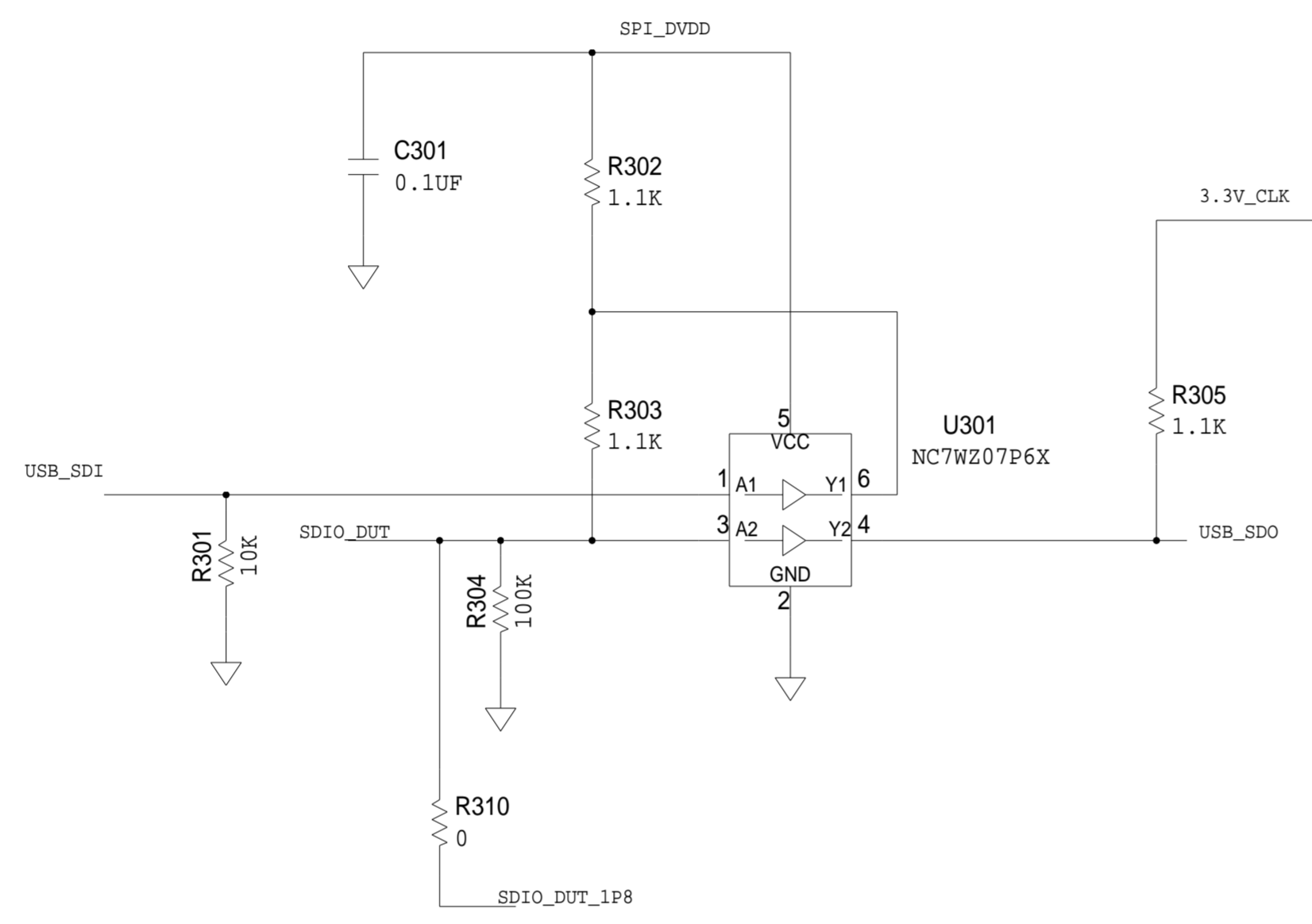


DUT

	SCHEMATIC		
	9284 CUSTOMER EVALUATION BOARD AD9284		
DESIGN VIEW	DRAWING NO.	REV	
-	9284CE01A	A	
PTD ENGINEER	SIZE	SCALE	SHEET 2 OF 7
JON HARRIS	D	NONE	

REVISIONS			
REV	DESCRIPTION	DATE	APPROVED

SPI CIRCUITRY

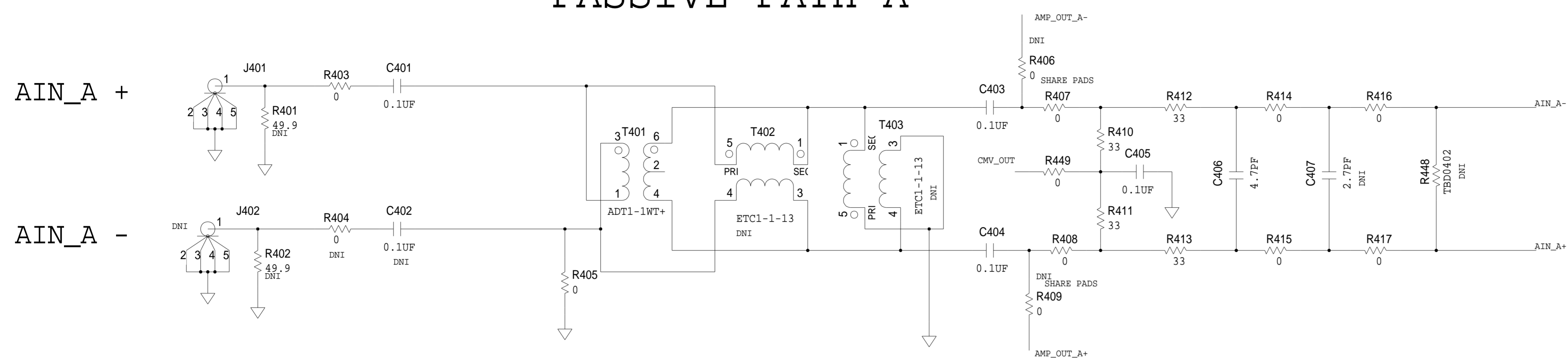


SPI

	SCHEMATIC		
	9284 CUSTOMER EVALUATION BOARD AD9284		
DESIGN VIEW -	DRAWING NO. 9284CE01A	REV A	
PTD ENGINEER JON HARRIS	SIZE D	SCALE NONE	SHEET 3 OF 7

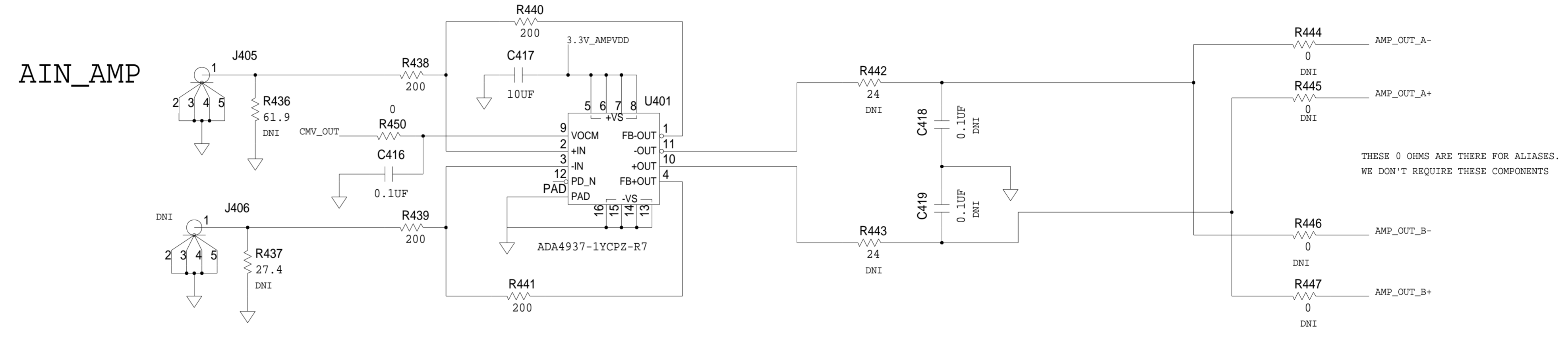
REVISIONS			
REV	DESCRIPTION	DATE	APPROVED

PASSIVE PATH A

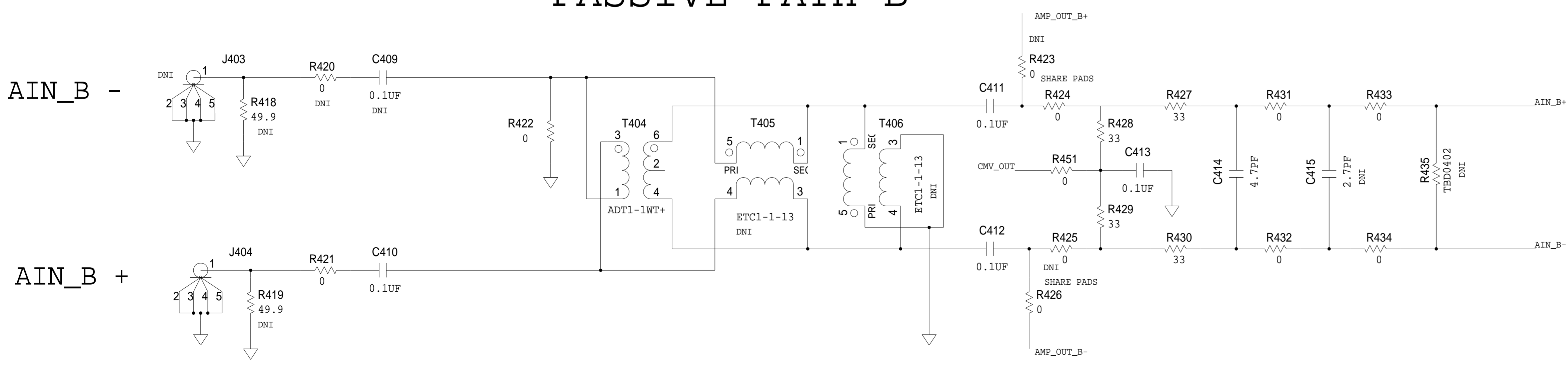


LAYOUT: SMA'S SHOULD BE 540 MILS CENTER TO CENTER

ACTIVE PATH A AND B



PASSIVE PATH B



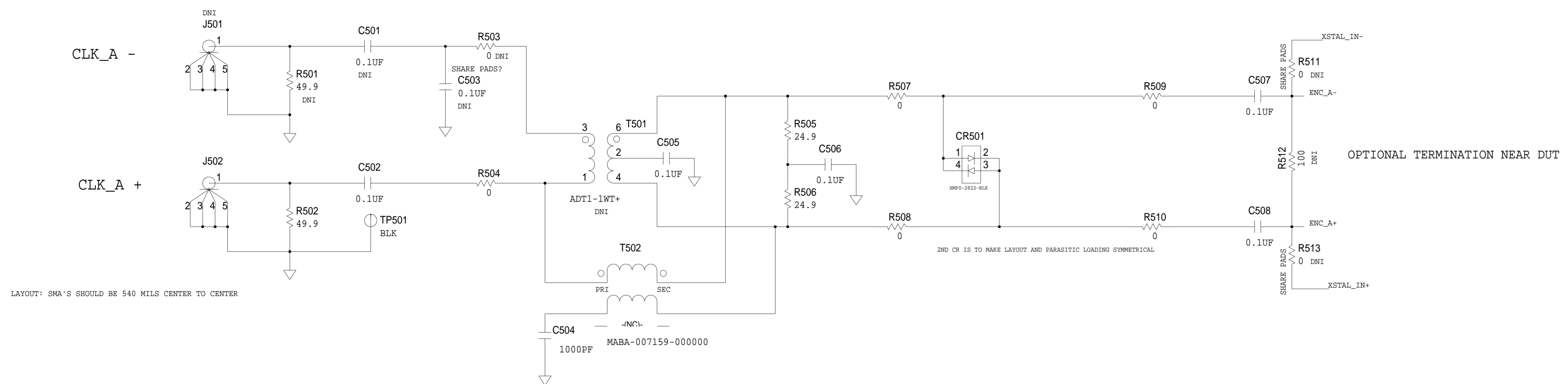
LAYOUT: SMA'S SHOULD BE 540 MILS CENTER TO CENTER

ANALOG INPUT

	SCHEMATIC		
	9284 CUSTOMER EVALUATION BOARD		
	AD9284		
	-		
DESIGN VIEW	DRAWING NO.	REV	
-	9284CE01A	A	
PTD ENGINEER	SIZE	SCALE	
JON HARRIS	D	NONE	SHEET 4 OF 7

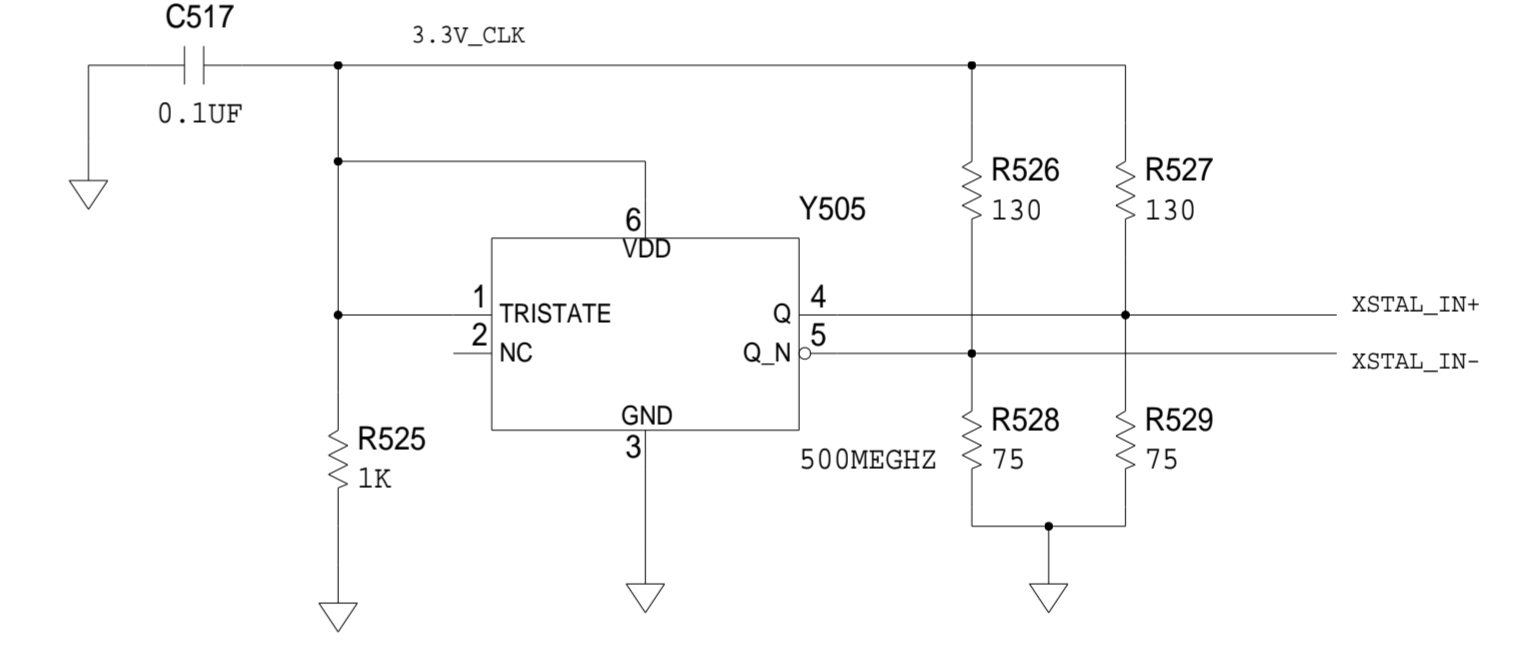
REVISIONS			
REV	DESCRIPTION	DATE	APPROVED

XFMR / BALUN CLK CIRCUITRY

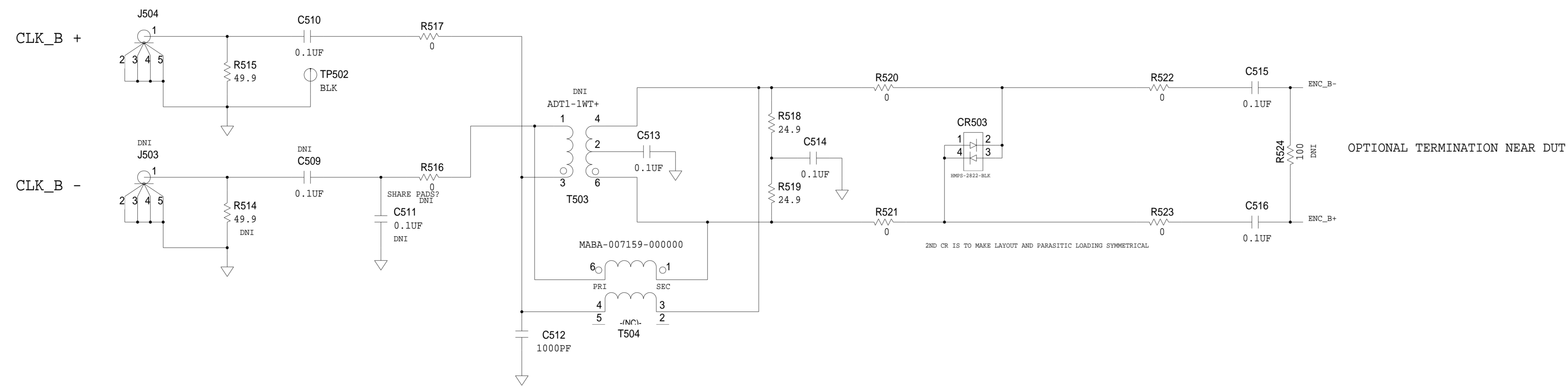


LAYOUT: SMA'S SHOULD BE 540 MILS CENTER TO CENTER

OPTIONAL CRYSTAL OSCILLATOR CLOCK SOURCE



OPTIONAL CLOCK B INPUT



LAYOUT: SMA'S SHOULD BE 540 MILS CENTER TO CENTER

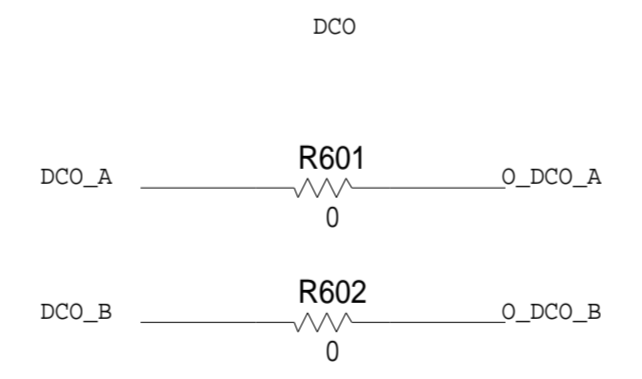
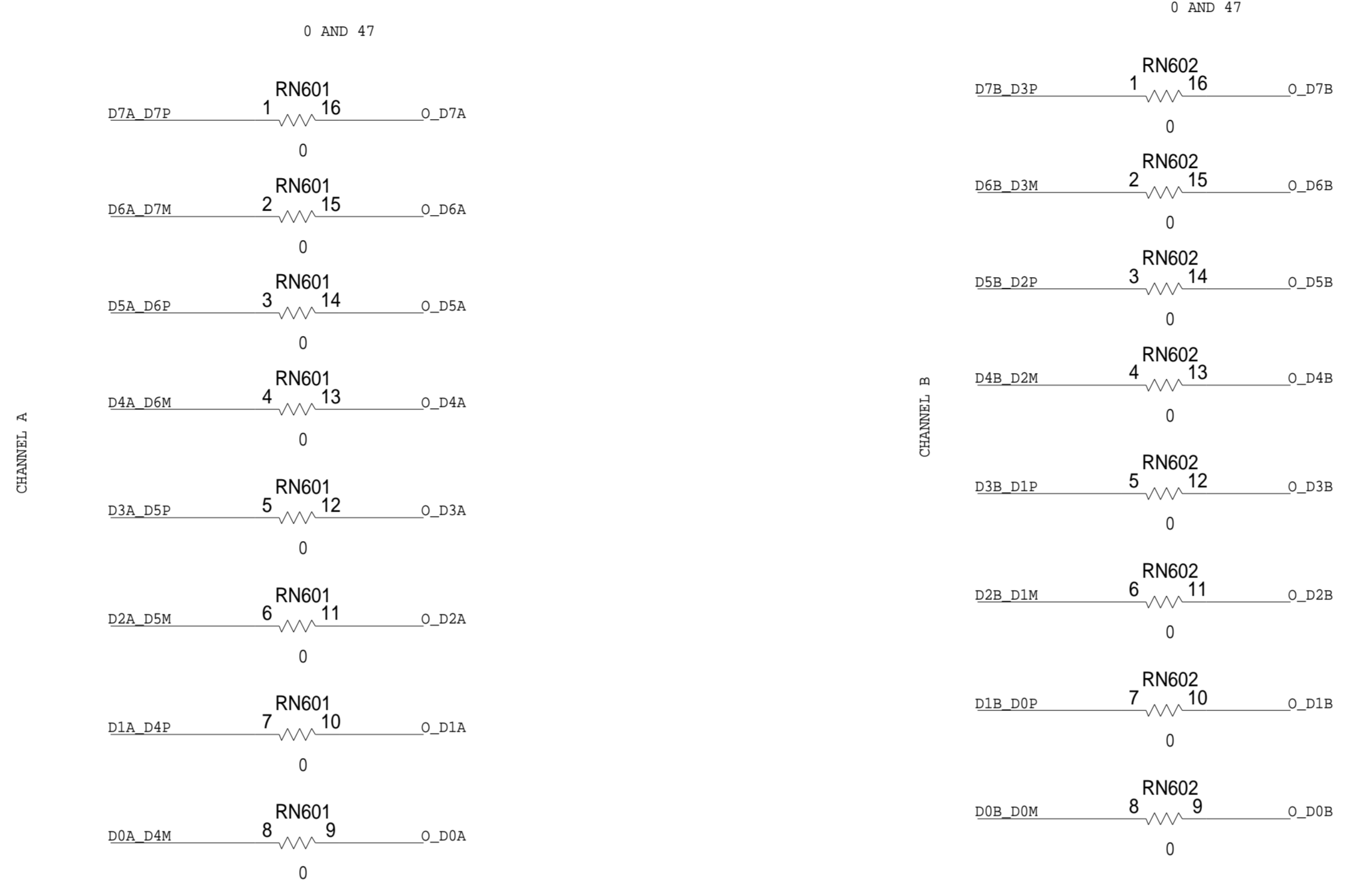
CLOCK

	SCHEMATIC		
	9284 CUSTOMER EVALUATION BOARD		
	AD9284		
	-		
DESIGN VIEW	DRAWING NO.		REV
-	9284CE01A		A
PTD ENGINEER	SIZE	SCALE	SHEET 5 OF 7
JON HARRIS	D	NONE	

8 7 6 5 4 3 2 1

REVISIONS			
REV	DESCRIPTION	DATE	APPROVED

0 OHM RESISTOR NETWORK FOR LVDS MODE
 47 OHM RESISTOR NETWORK FOR CMOS MODE

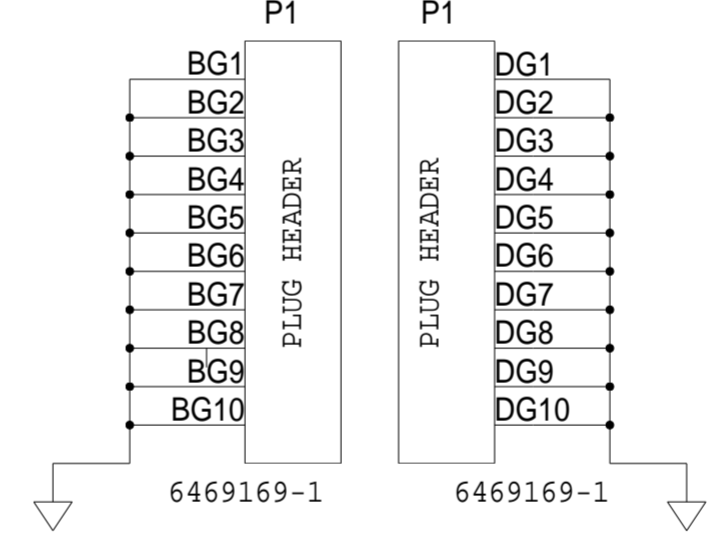
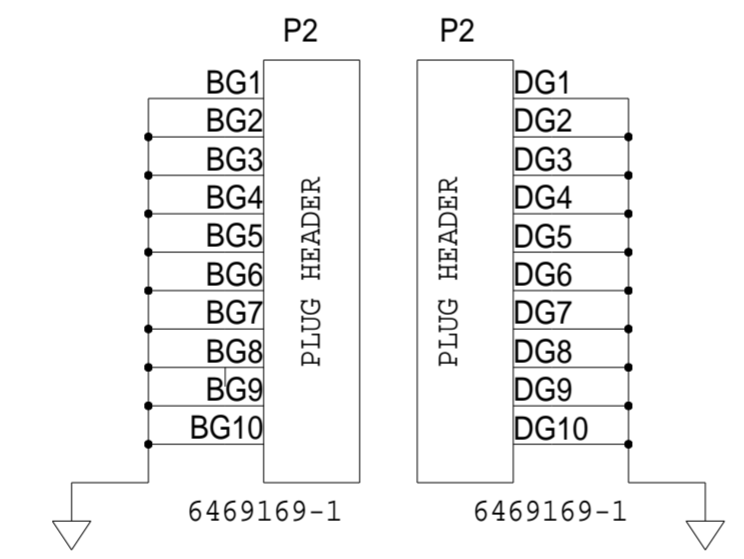
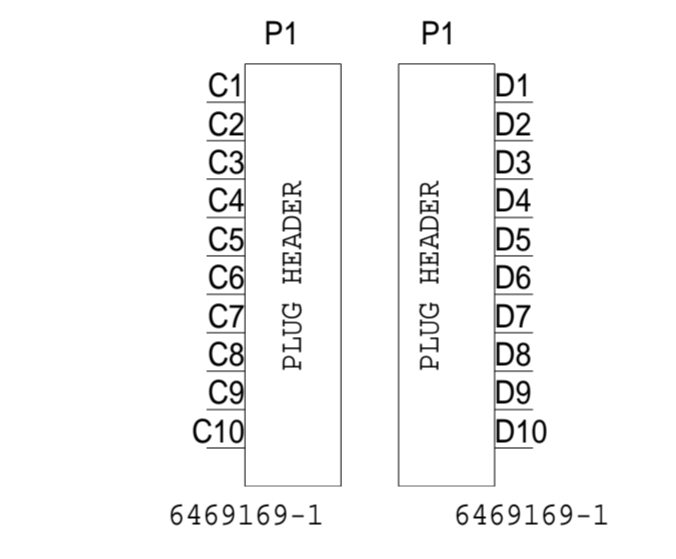
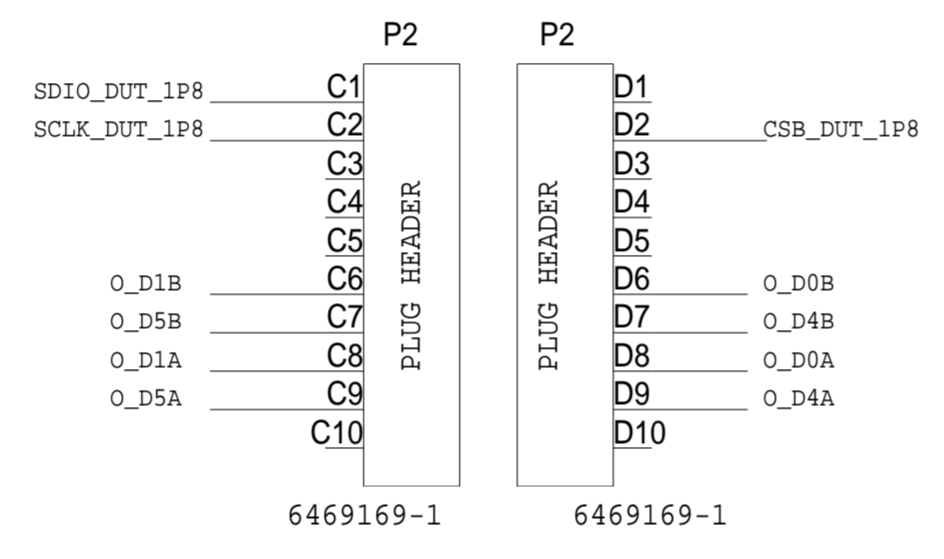
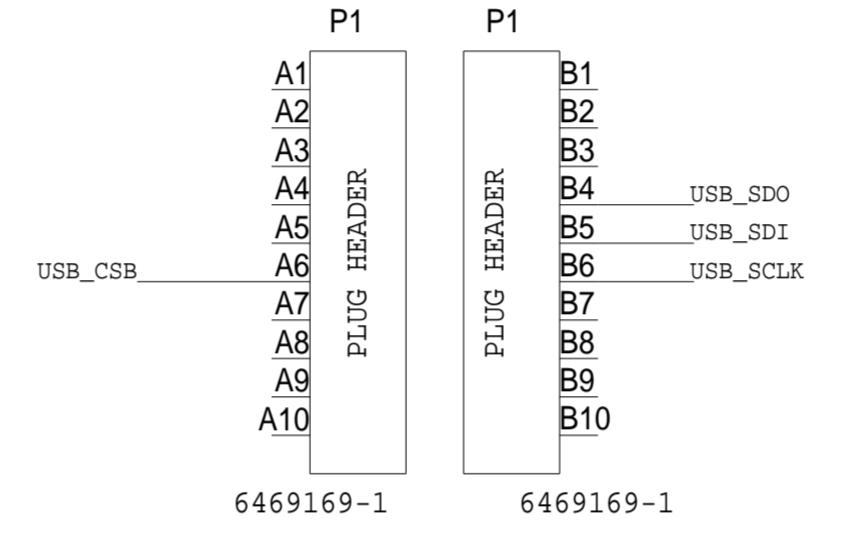
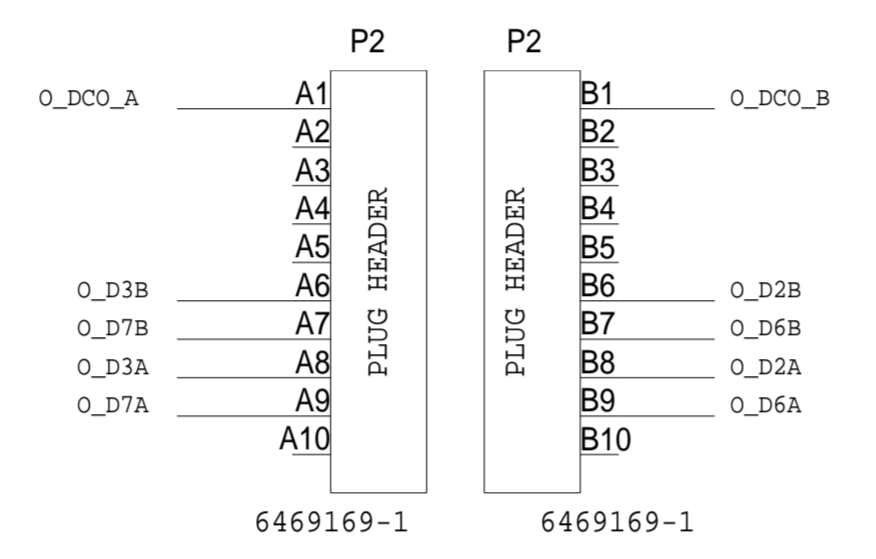


OUTPUT NETWORK

	SCHEMATIC		
	9284 CUSTOMER EVALUATION BOARD		
	AD9284		
DESIGN VIEW	DRAWING NO.	REV	
-	9284CE01A	A	
PTD ENGINEER	SIZE	SCALE	SHEET 6 OF 7
JON HARRIS	D	NONE	

8 7 6 5 4 3 2 1

REVISIONS			
REV	DESCRIPTION	DATE	APPROVED



FIFO5 CONNECTIONS

	SCHEMATIC		
	9284 CUSTOMER EVALUATION BOARD		
	AD9284		
	-		
DESIGN VIEW	DRAWING NO.	REV	
-	9284CE01A	A	
PTD ENGINEER	SIZE	SCALE	SHEET 7 OF 7
JON HARRIS	D	NONE	