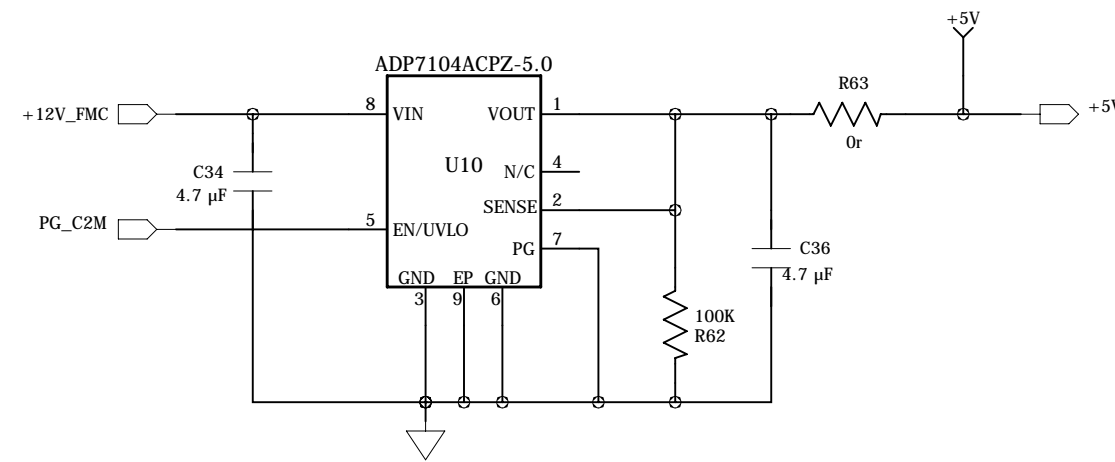
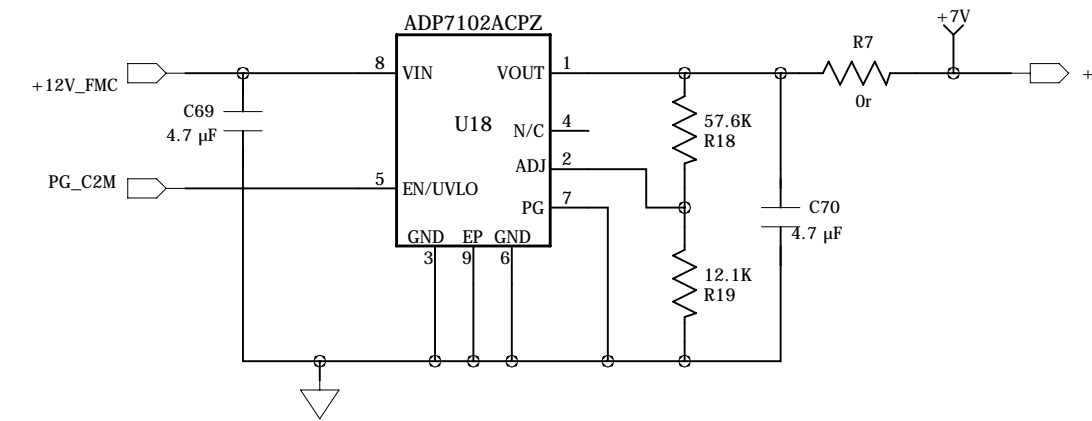


REVISION RECORD			
LTR	ECO NO:	APPROVED:	DATE:

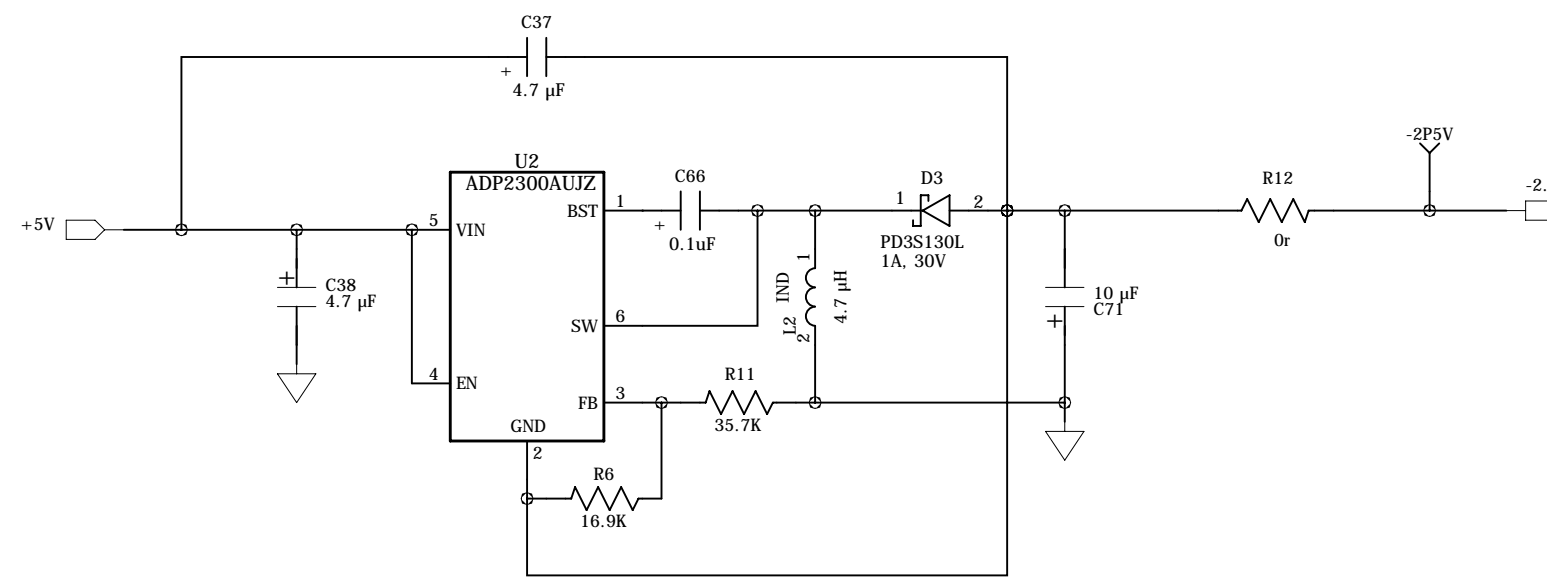
# Power Supplies



VIN = +12V , VOUT= +5V, IOU T = upto 500 mA



VIN = +12V , VOUT= +7V, IOU T = upto 300 mA



VIN = +5V , VOUT= -2.5V, IOU T = 250 mA

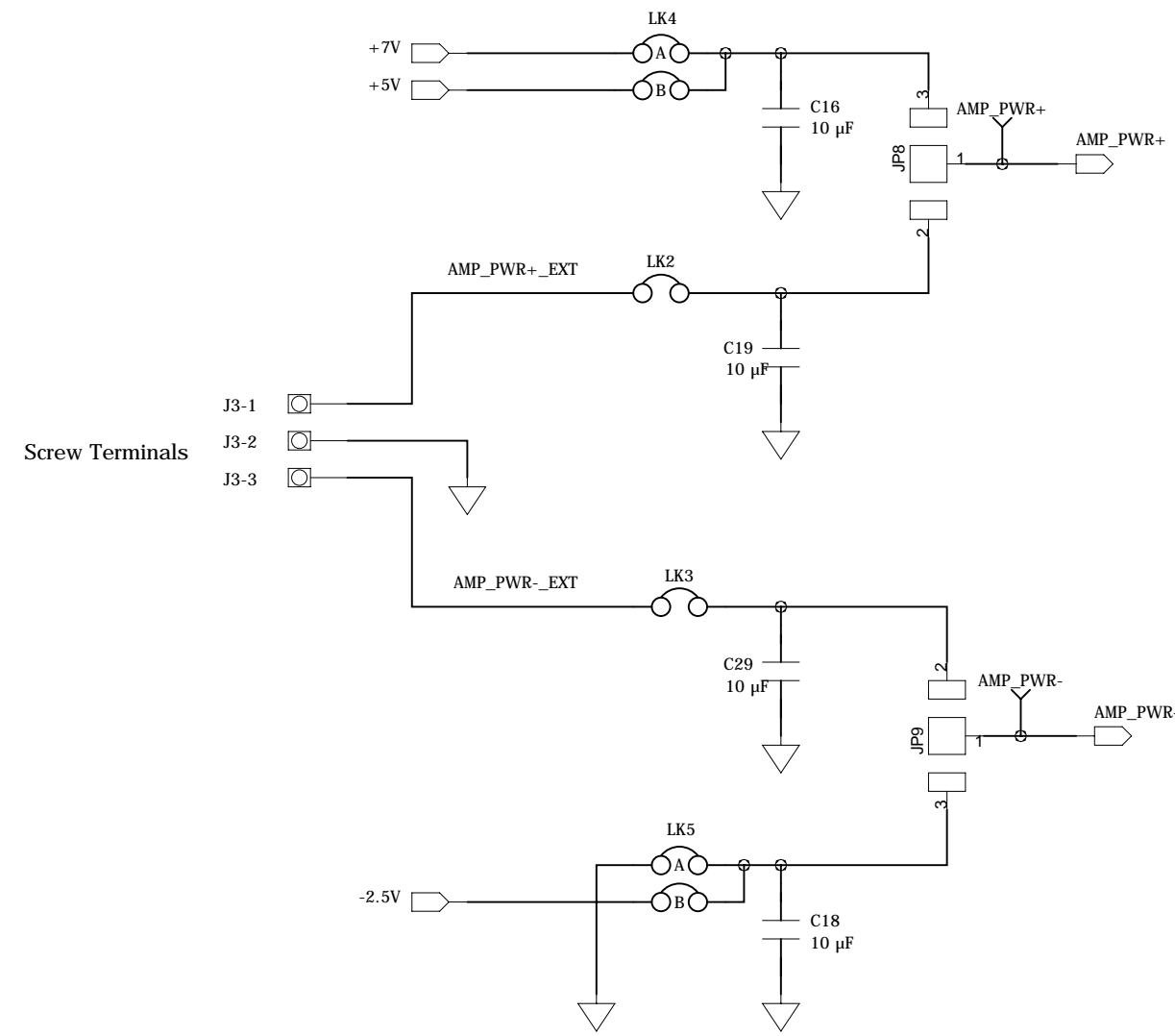
COMPANY: Analog Devices

TITLE: AD7960 Eval Board

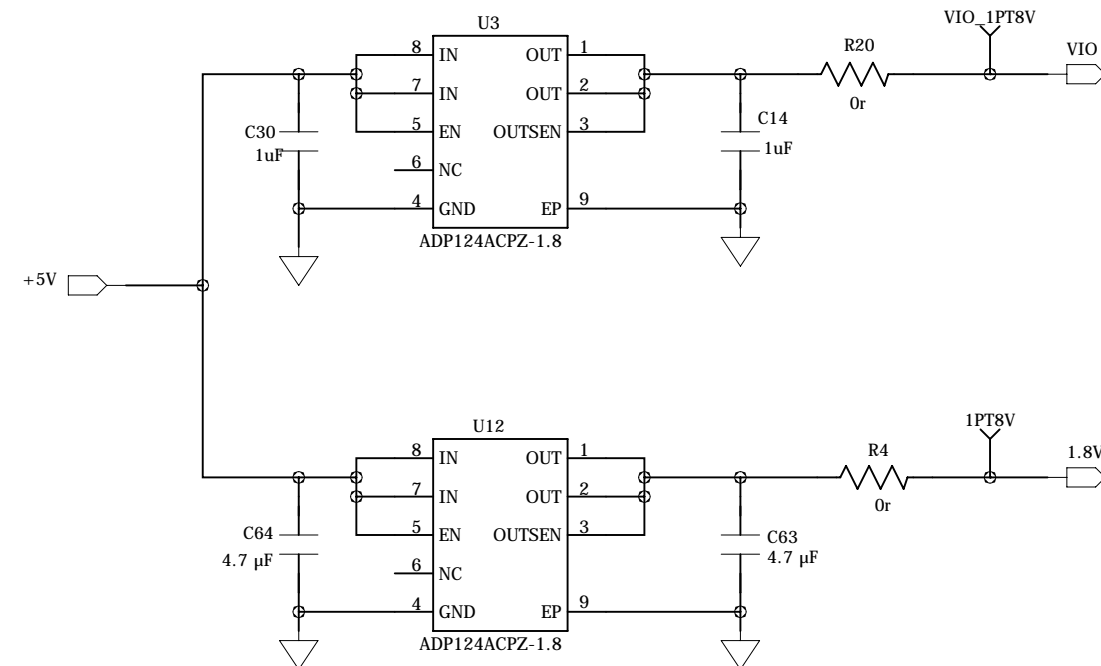
DRAWN: Maithil P.	DATED: MAY 12	CODE:	SIZE:	DRAWING NO:	REV:
CHECKED: <Checked By>	DATED: <Checked Date>				
QUALITY CONTROL: <QC By>	DATED: <QC Date>	<Code>	A2	EVAL-AD7960FMCZ	A1
RELEASED: <Released By>	DATED: <Release Date>	SCALE: <Scale>			SHEET: 1 of 6

REVISION RECORD			
LTR	ECO NO:	APPROVED:	DATE:

# Power Supplies



## OPAMP POWR SUPPLY OPTIONS



The ADP124 is available in 2mmx2mm LFCSP packages.

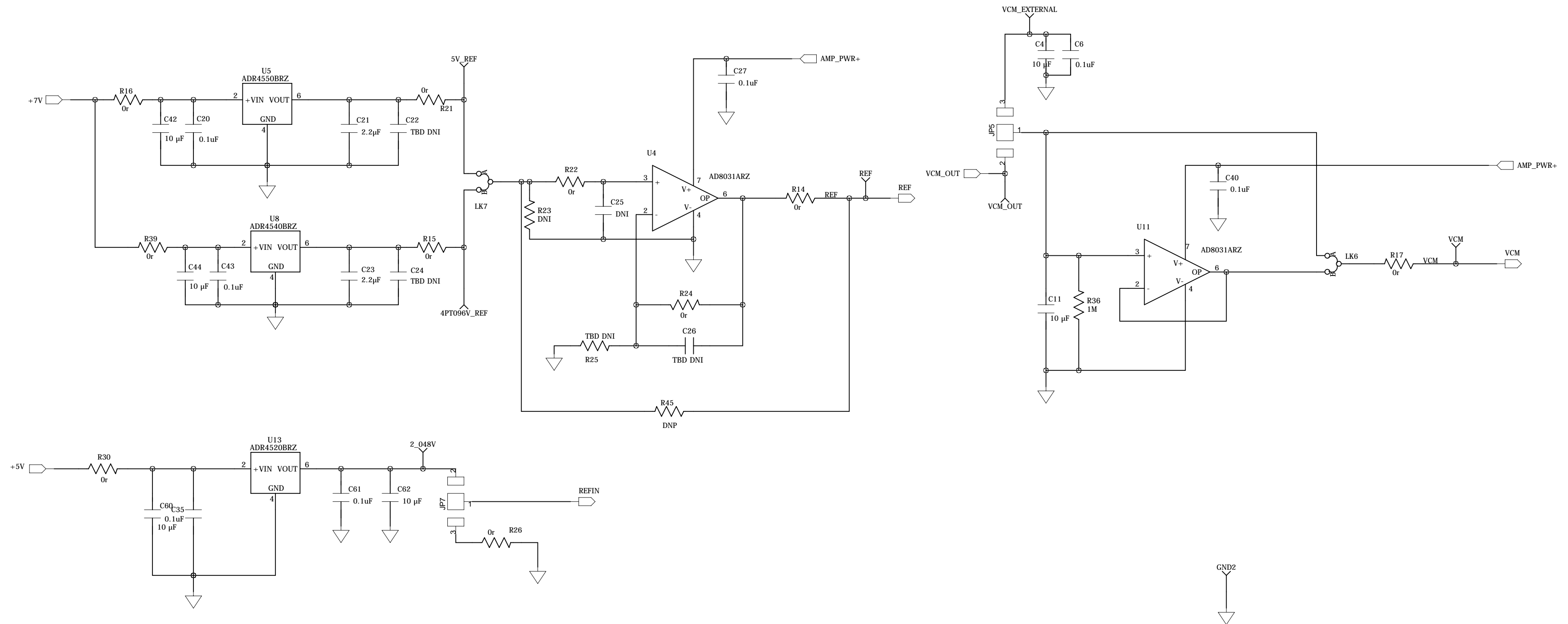
COMPANY: Analog Devices

TITLE: AD7960 Eval Board

DRAWN: Maithil P.	DATED: MAY 12	CODE:	SIZE: A2	DRAWING NO: EVAL-AD7960FMCZ	REV: A1
CHECKED: <Checked By>	DATED: <Checked Date>	QUALITY CONTROL: <QC By>	DATED: <QC Date>	RELEASED: <Released By>	DATED: <Release Date>
SCALE: <Scale>				SHEET: 2 OF 6	

REVISION RECORD			
LTR	ECO NO:	APPROVED:	DATE:

# External Reference



There are 3 options for using an External Reference

- 1) Externally buffered reference source of 5V applied to the REF pin.
- 2) Externally buffered reference source of 4.096V applied to the REF pin.
- 3) External reference of 2.048V applied to the REFIN pin (high impedance input). The on-chip buffer gains this by 2 and drives the REF pin with 4.096V.

COMPANY: Analog Devices

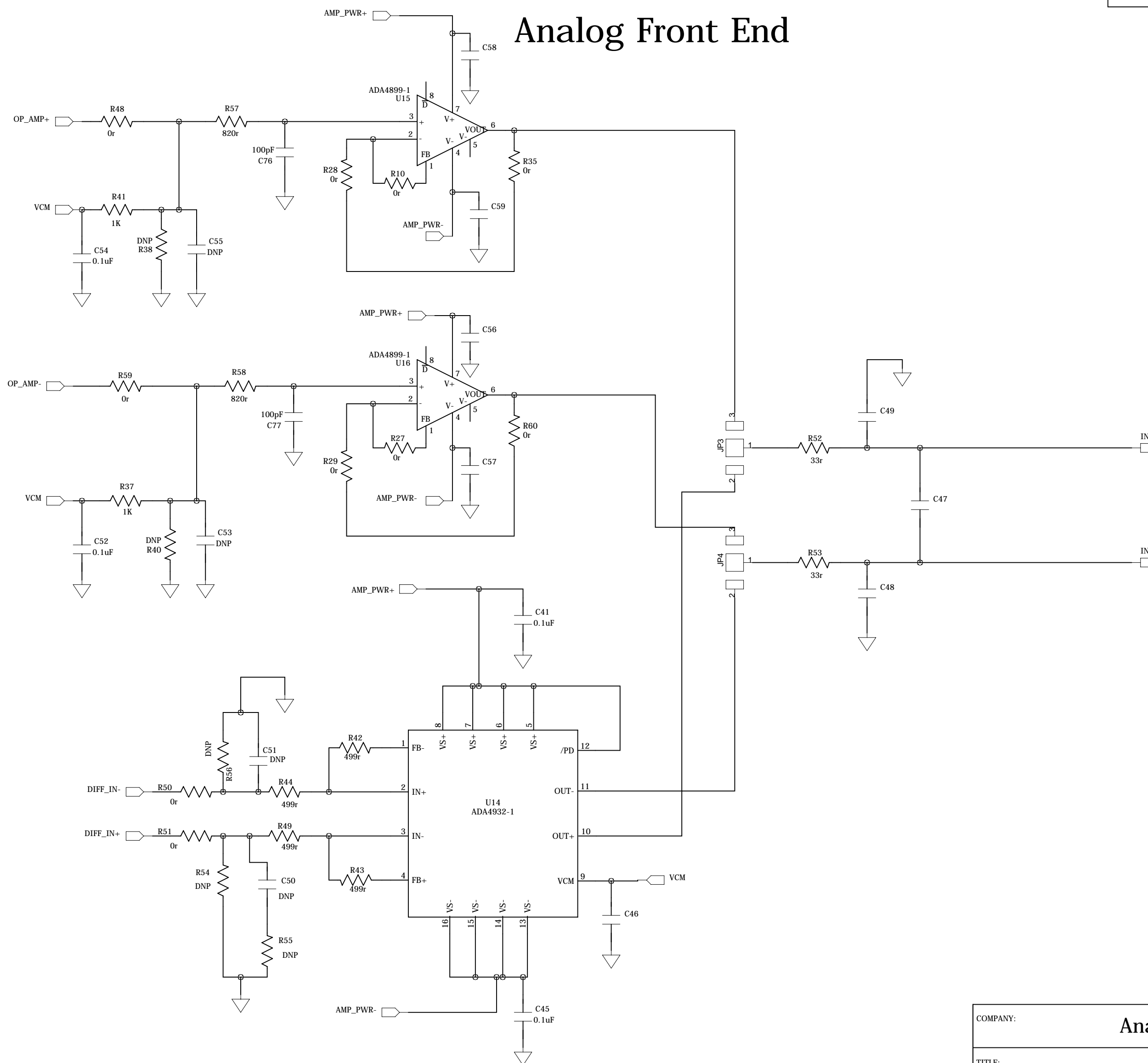
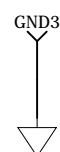
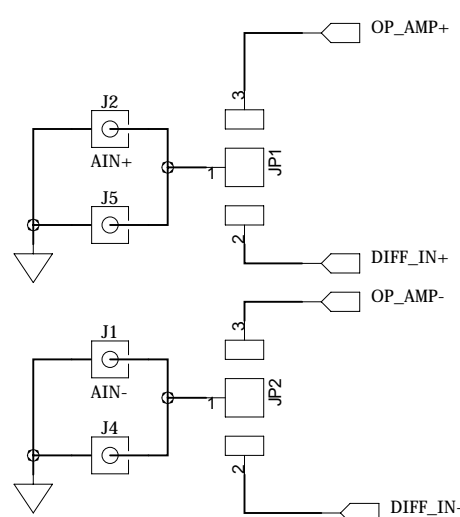
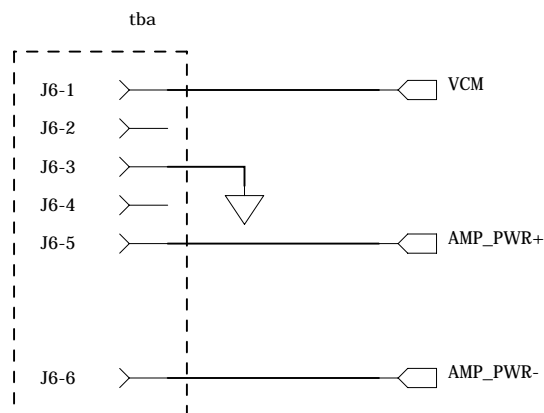
TITLE: AD7960 Eval Board

DRAWN: Maitil P.	DATED: MAY 12
CHECKED: <Checked By>	DATED: <Checked Date>
QUALITY CONTROL: <QC By>	DATED: <QC Date>
RELEASED: <Released By>	DATED: <Release Date>

CODE:	SIZE:	DRAWING NO:	REV:
<Code>	A2	EVAL-AD7960FMCZ	A1
SCALE: <Scale>			SHEET: 3 of 6

REVISION RECORD			
LTR	ECO NO:	APPROVED:	DATE:

# Analog Front End



COMPANY: Analog Devices

TITLE: AD7960 Eval Board

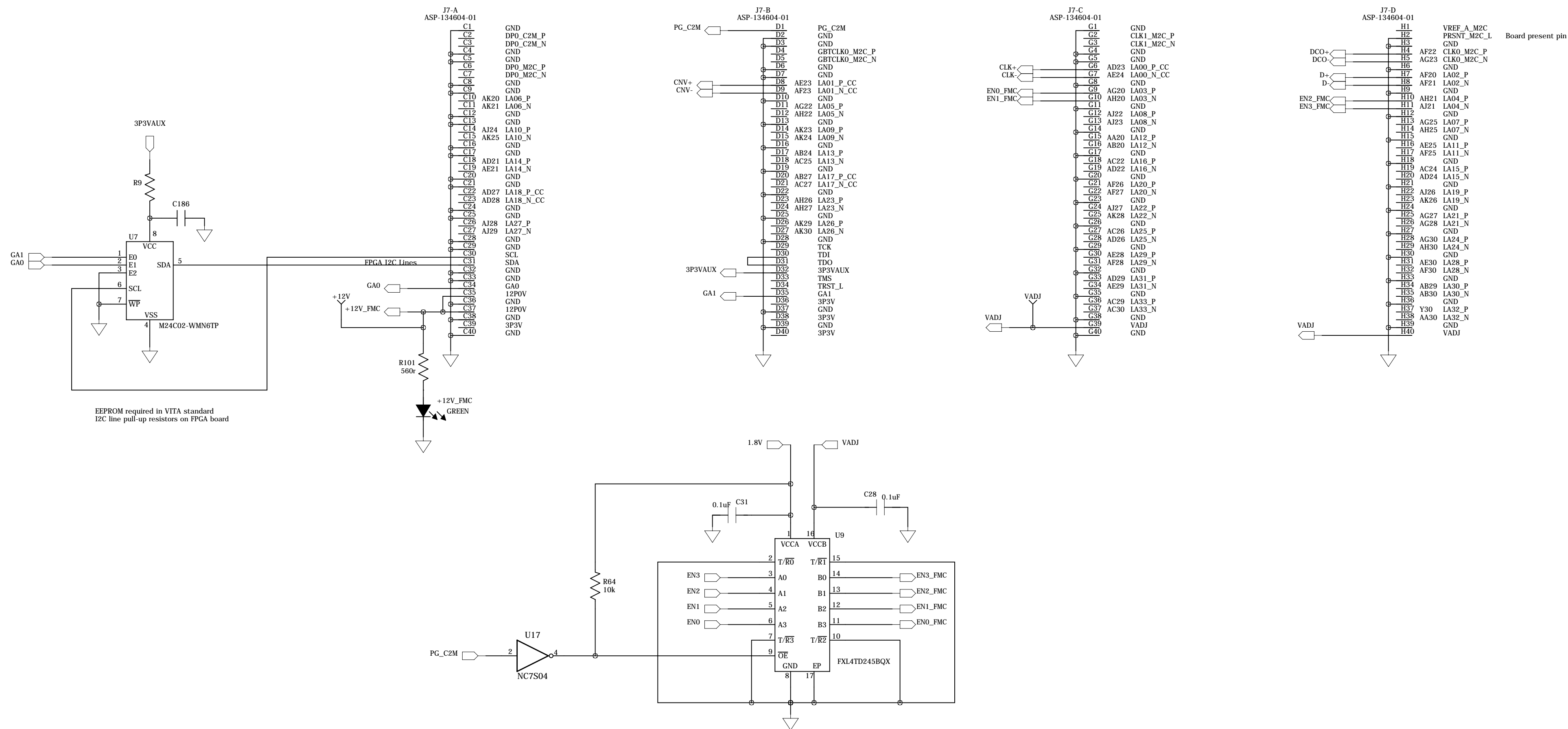
DRAWN: Maithil P.	DATED: MAY 12
CHECKED: <Checked By>	DATED: <Checked Date>
QUALITY CONTROL: <QC By>	DATED: <QC Date>
RELEASED: <Released By>	DATED: <Release Date>

CODE:	SIZE:	DRAWING NO:	REV:
<Code>	A2	EVAL-AD7960FMCZ	A1
SCALE: <Scale>			SHEET: 4 of 6



REVISION RECORD			
LTR	ECO NO:	APPROVED:	DATE:

# FMC-LPC Male Connector



COMPANY: Analog Devices			
TITLE: AD7960 Eval Board			
DRAWN: Maithil P.	DATED: MAY 12	CODE: <Code>	SIZE: A2
CHECKED: <Checked By>	DATED: <Checked Date>	DRAWING NO: EVAL-AD7960FMCZA1	REV: A1
QUALITY CONTROL: <QC By>	DATED: <QC Date>	SCALE: <Scale>	SHEET: 6 OF 6
RELEASED: <Released By>	DATED: <Release Date>		