

6

5

4

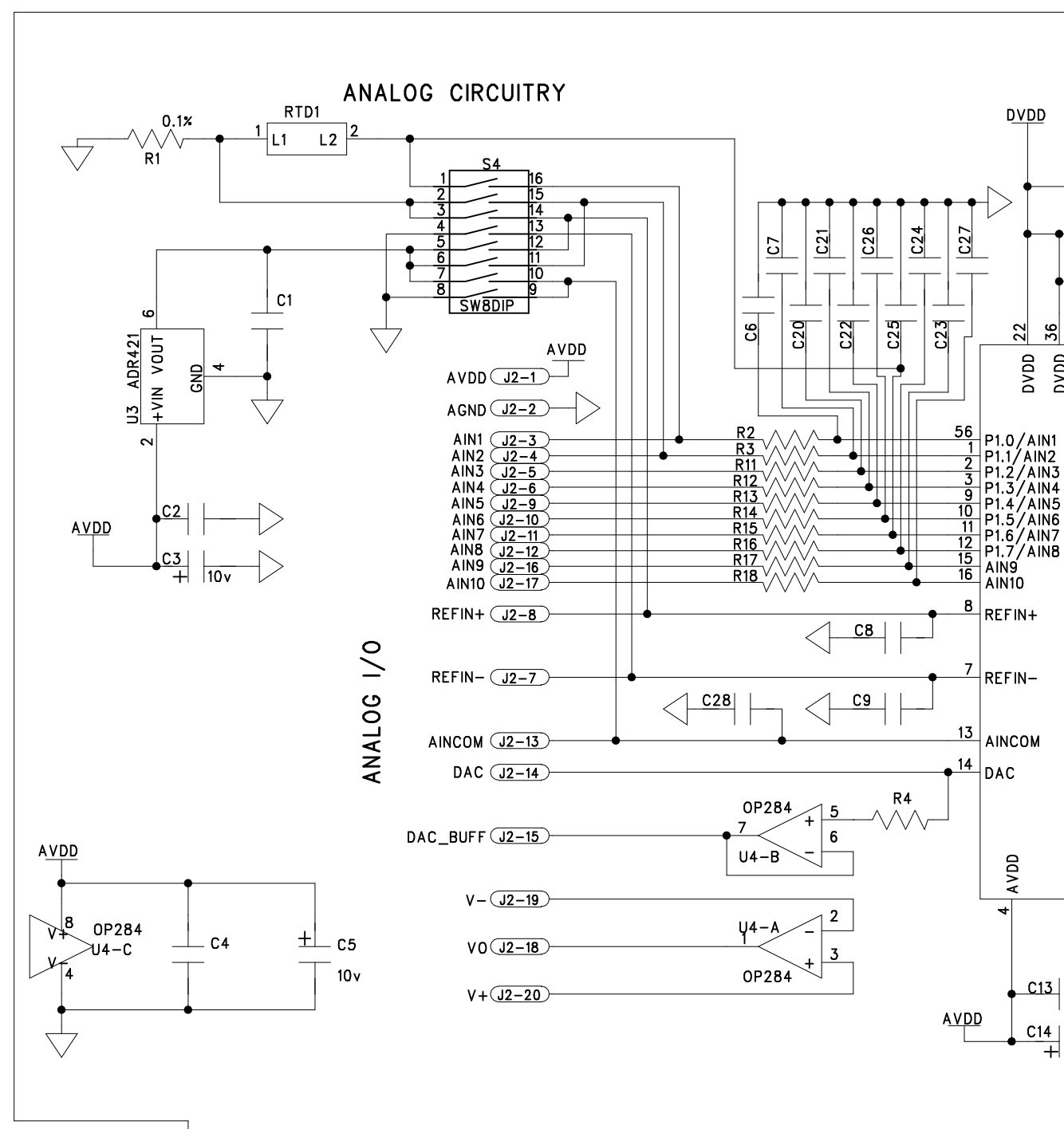
3

2

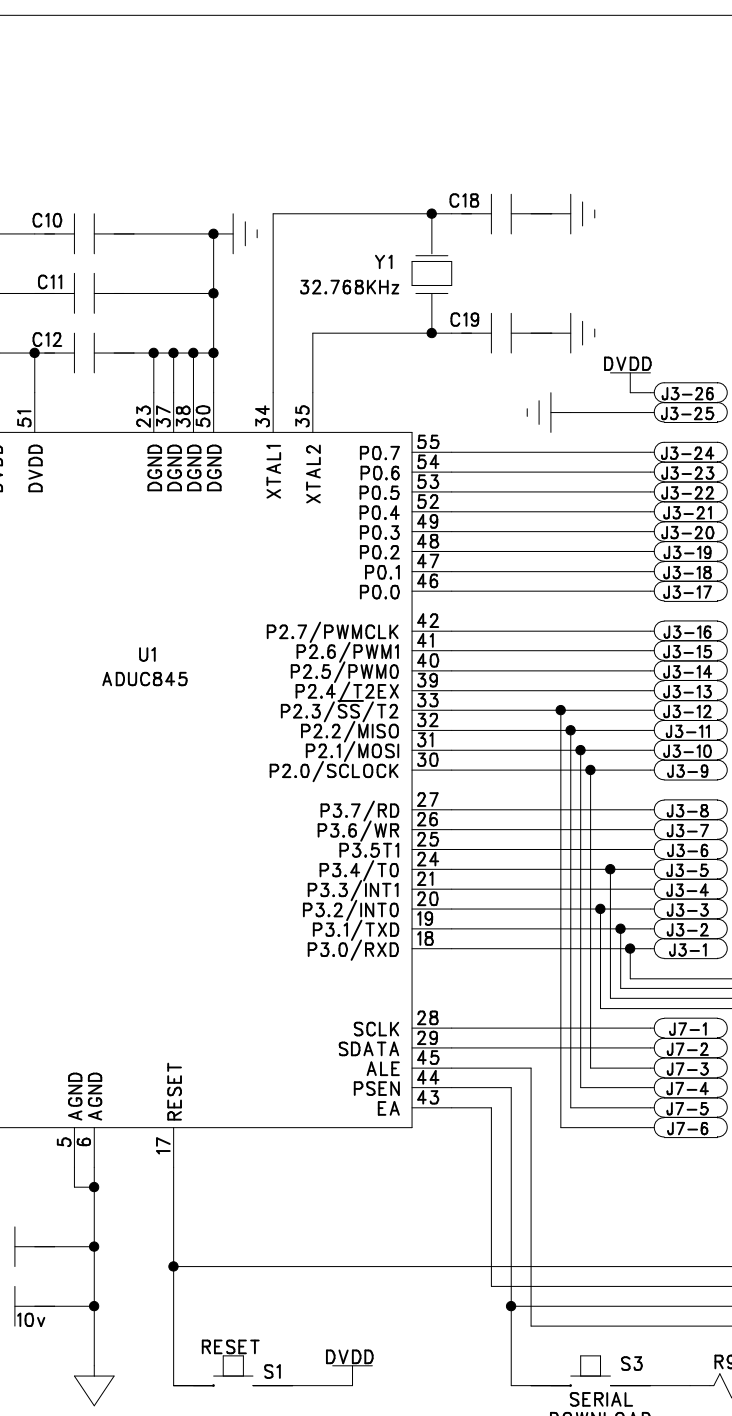
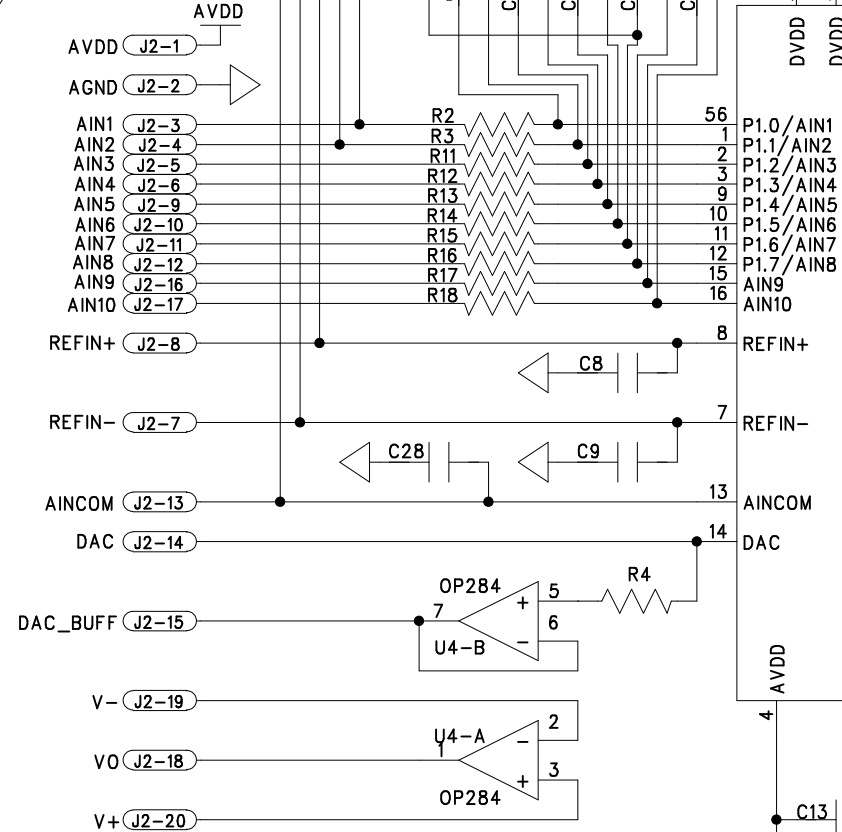
1

REVISION RECORD			
LTR	ECO NO:	APPROVED:	DATE:

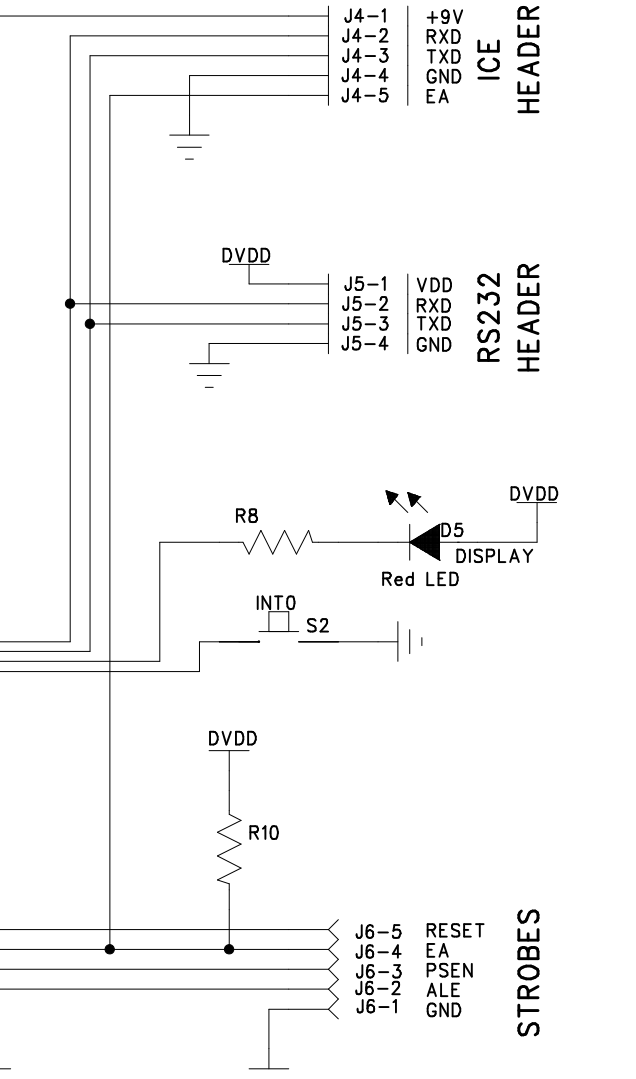
### ANALOG CIRCUITRY



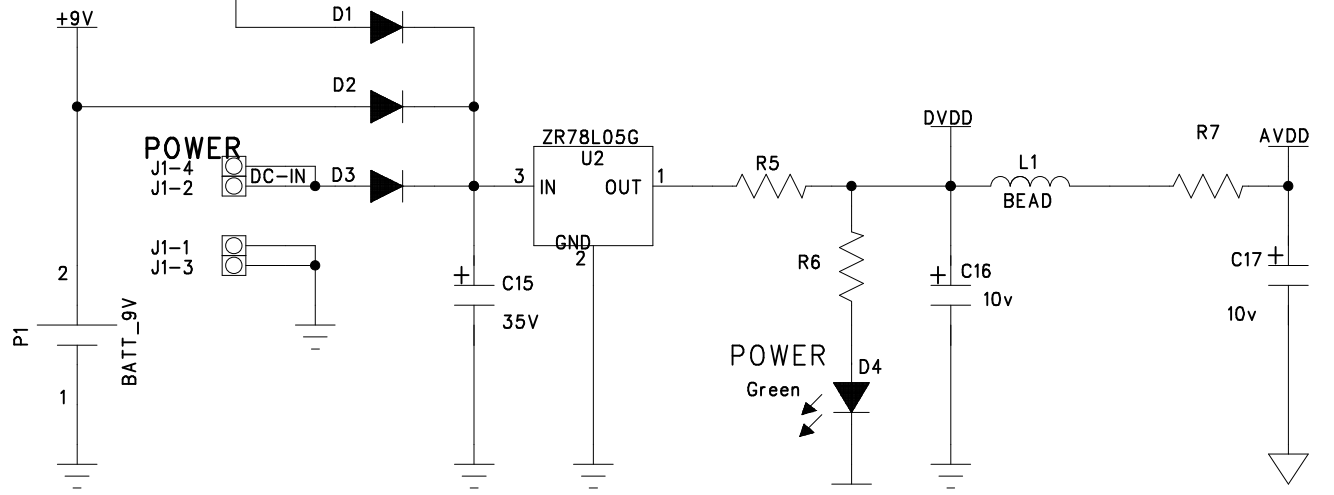
### ANALOG I/O



### DIGITAL PORT PINS



### POWER



DRAWN: Pat Sheahan	DATED: June '03
CHECKED: Brian Moss	DATED: June '03
QUALITY CONTROL:	DATED:
RELEASED:	DATED:

COMPANY: Analog Devices Inc.			
TITLE: EVAL-ADuC845QS Schematic			
CODE:	SIZE:	DRAWING NO:	REV:
EVAL-ADuC845QS			0
SCALE:			SHEET: 1 OF 1

D

C

B

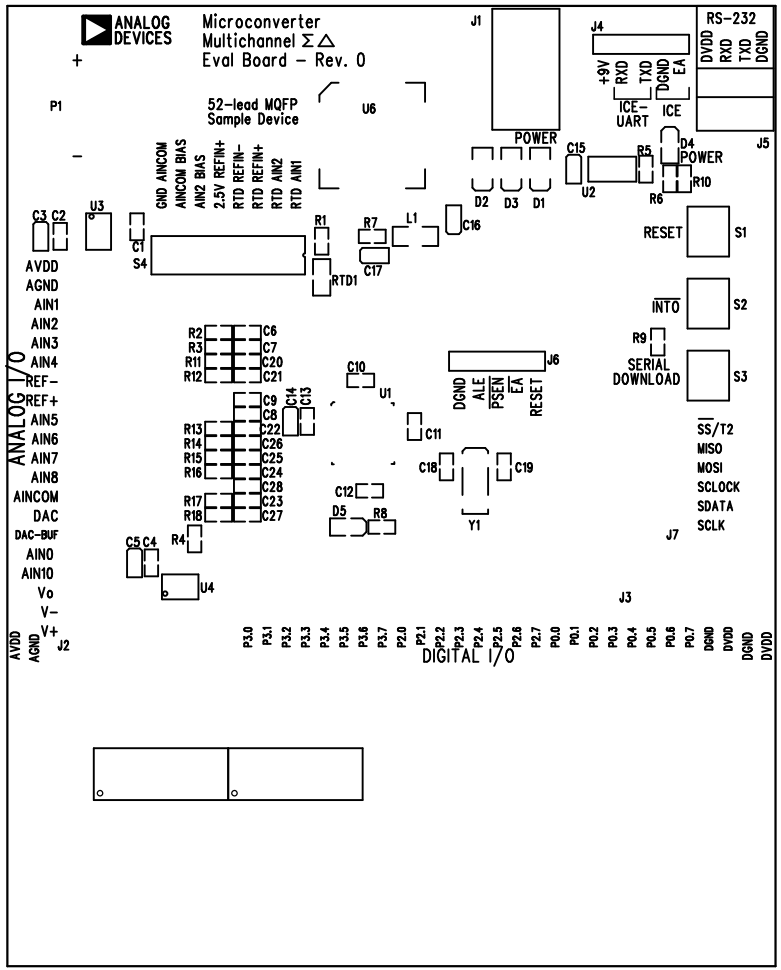
A

D

C

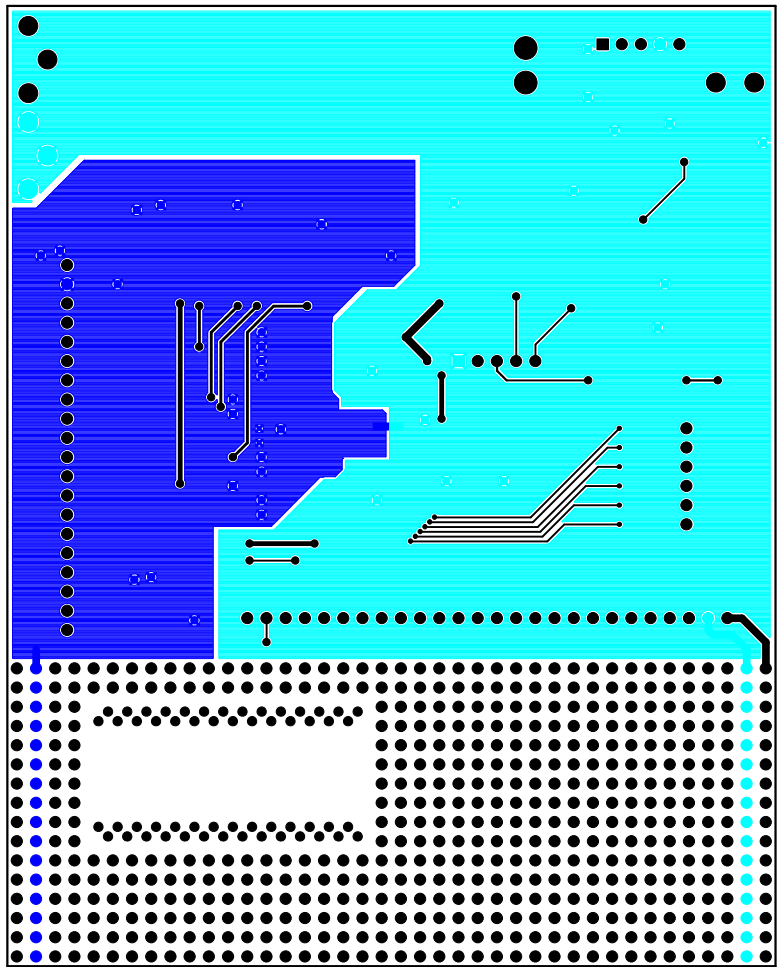
B

A



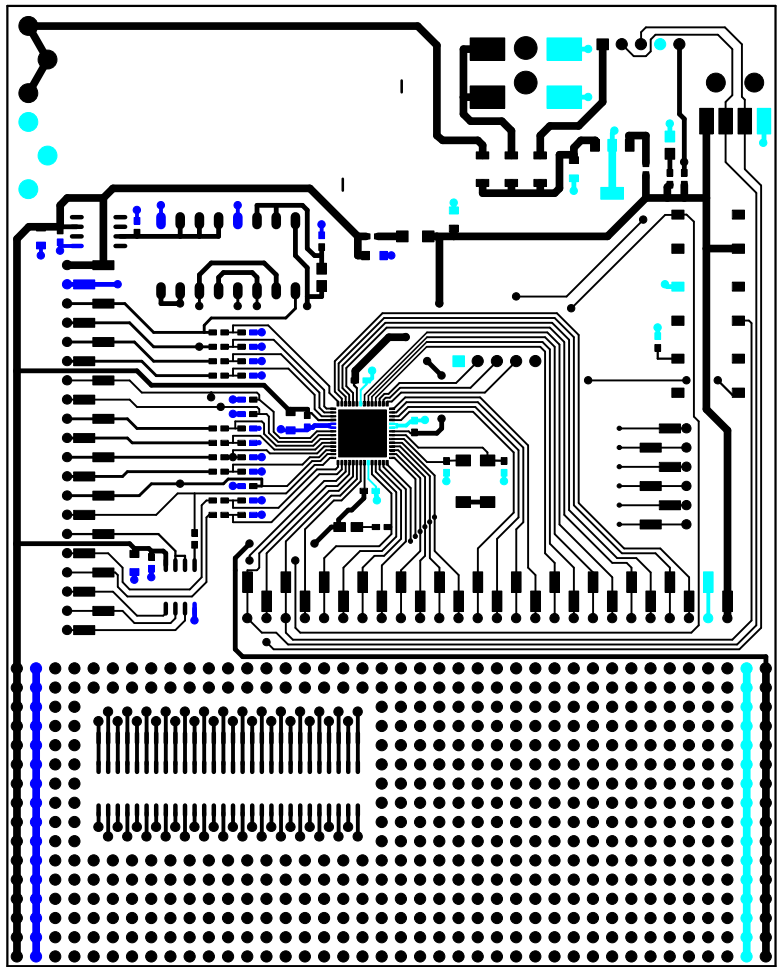
Multi-Channel Sigma-Delta Eval Board rev. 0- Component Side View

Silkscreen Top



Multi-Channel Sigma-Delta Eval Board rev. 0- Component Side View

Solder Side



Multi-Channel Sigma-Delta Eval Board rev. 0- Component Side View

Component Side