

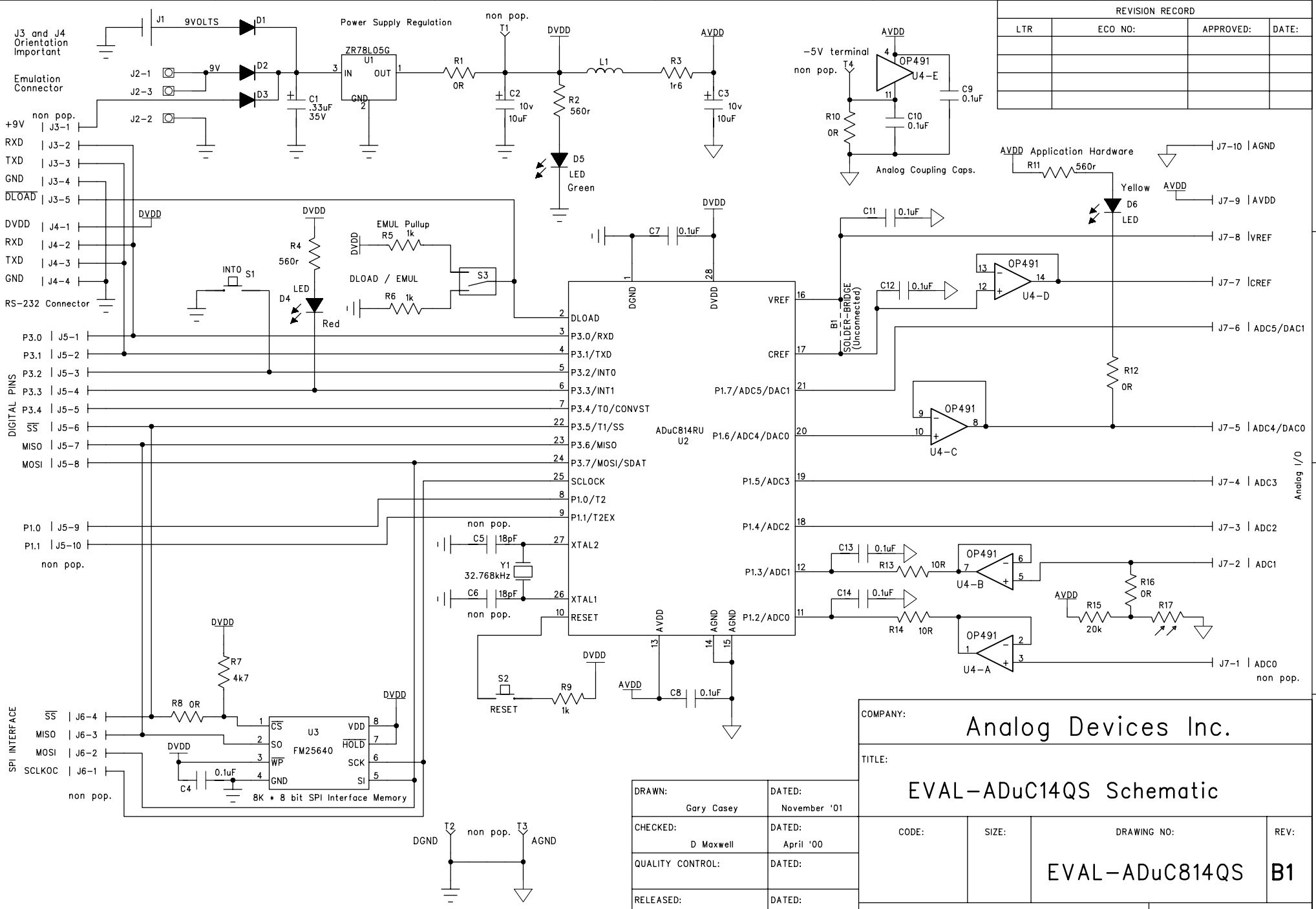
D

C

B

A

REVISION RECORD			
LTR	ECO NO:	APPROVED:	DATE:

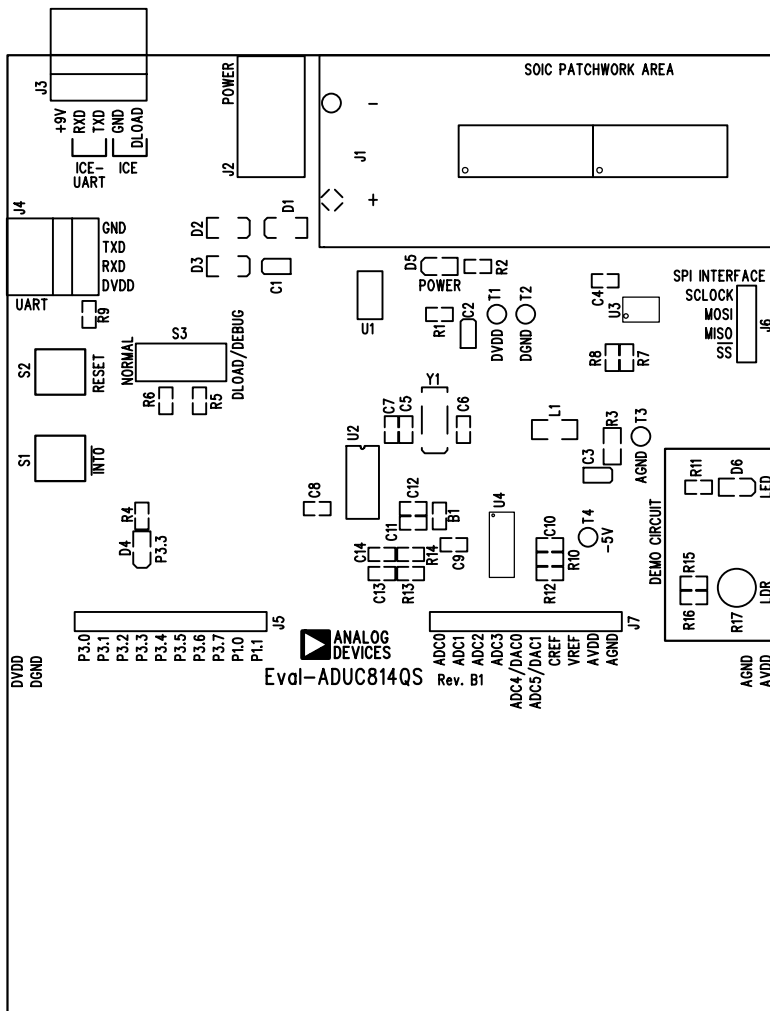


COMPANY: Analog Devices Inc.

TITLE: EVAL-ADuC14QS Schematic

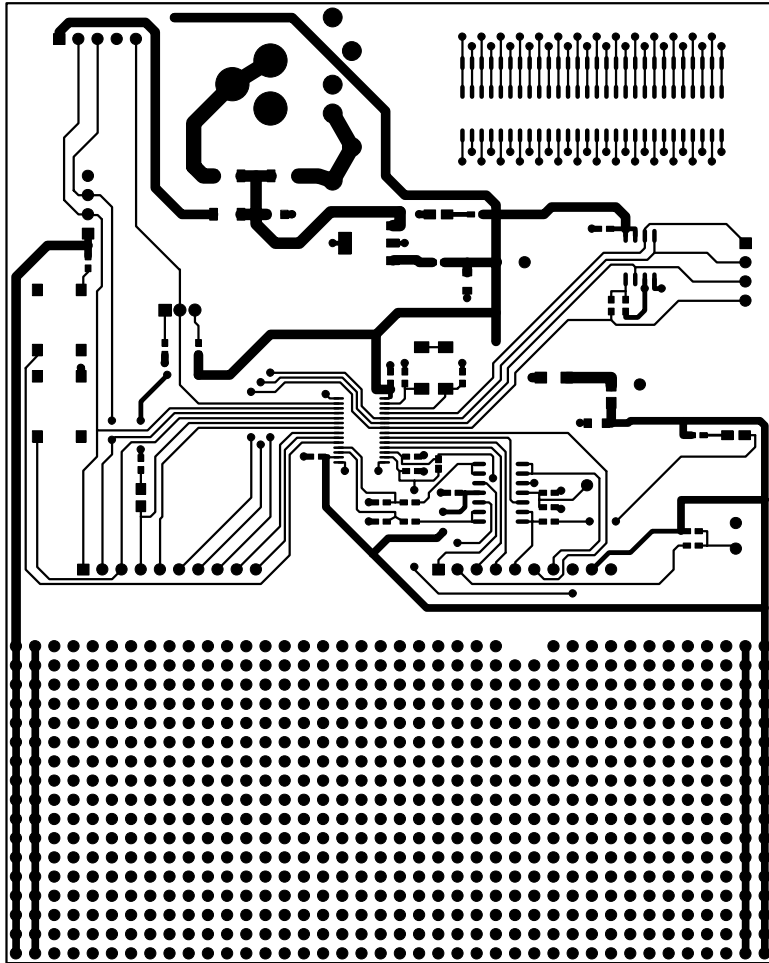
DRAWN: Gary Casey	DATED: November '01
CHECKED: D Maxwell	DATED: April '00
QUALITY CONTROL:	DATED:
RELEASED:	DATED:

CODE:	SIZE:	DRAWING NO:	REV:
EVAL-ADuC814QS			B1
SCALE:			SHEET: 1 OF 1

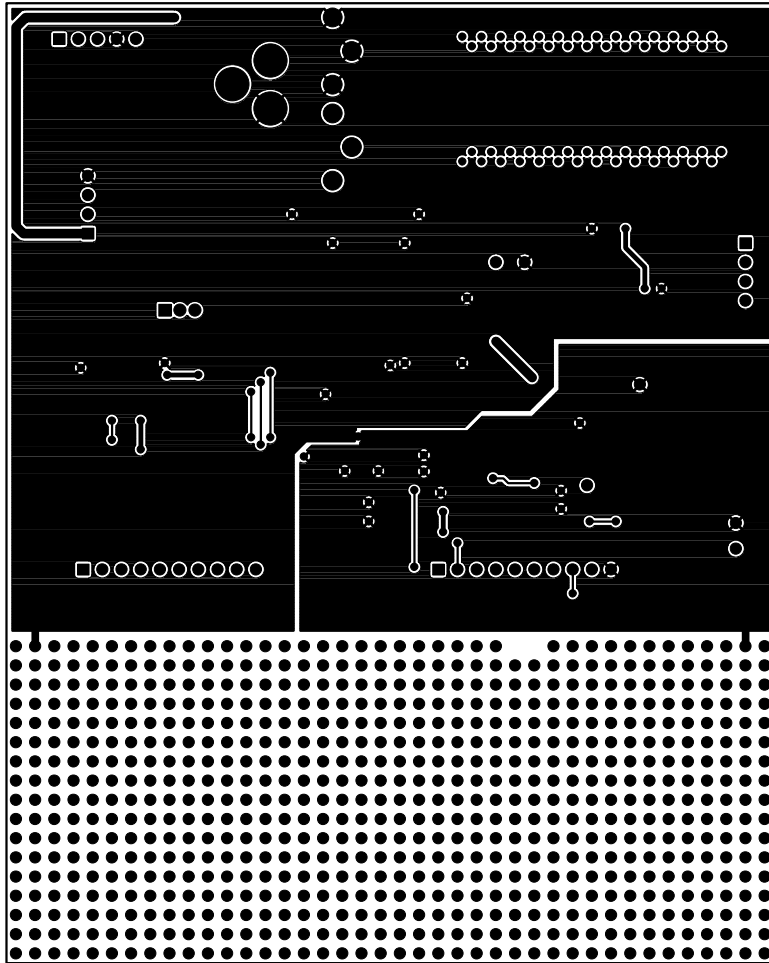


Eval-ADUC814QS Eval Board (Rev. B1) - Component Side View

Silkscreen Top



Eval-ADuC814QS Eval Board (Rev. B1) - Component Side View Component Side



Eval-ADuC814QS Eval Board (Rev. B1) - Component Side View

Solder Side