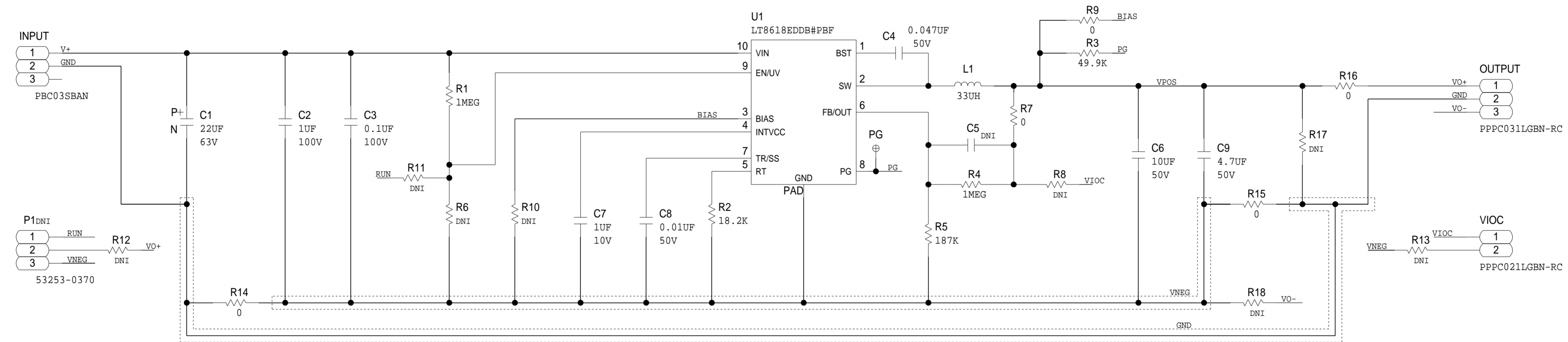


REVISIONS			
REV	DESCRIPTION	DATE	APPROVED

LT8618 BUCK



	SCHEMATIC		
	HW TYPE : Customer Evaluation Product(s) : LT8618 : LT8618		
	DESIGN VIEW <DESIGN_VIEW>	DRAWING NO. 02_059761	REV A
	PTD ENGINEER A SERQUINA	SIZE D	SCALE 1:1
		SHEET 2 OF 2	