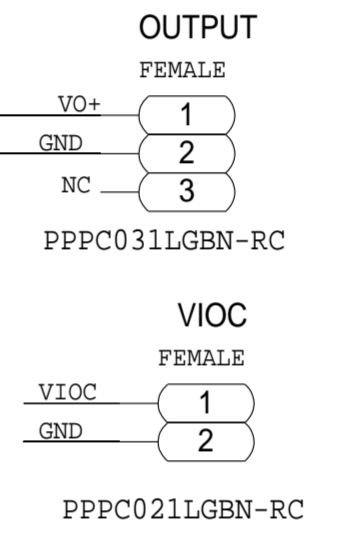
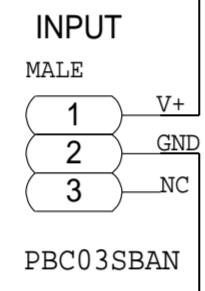
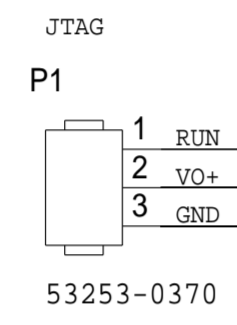
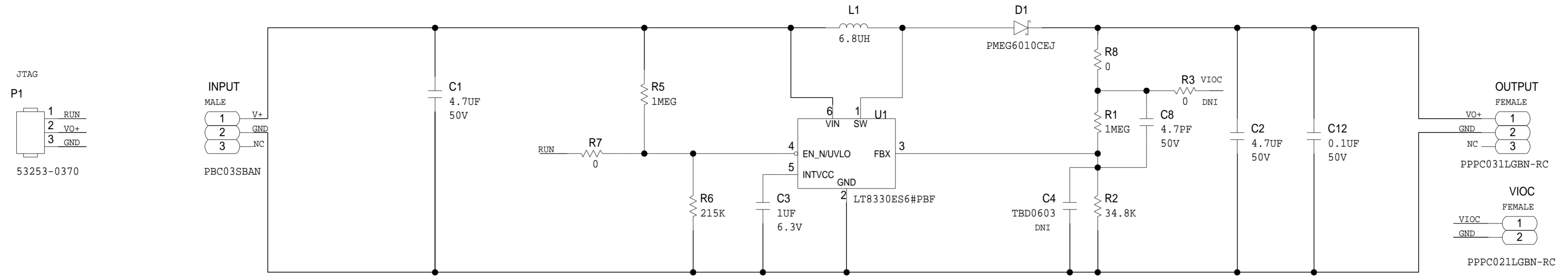


REVISIONS			
REV	DESCRIPTION	DATE	APPROVED

LT8330



	SCHEMATIC		
	HW TYPE : SCP EVAL-Z Product (s) : LT8330 : LT8330		
	DESIGN VIEW <DESIGN_VIEW>	DRAWING NO. 02_050858	REV B
	PTD ENGINEER J VIERNES	SIZE D	SCALE 1:1
		SHEET 2 OF 2	