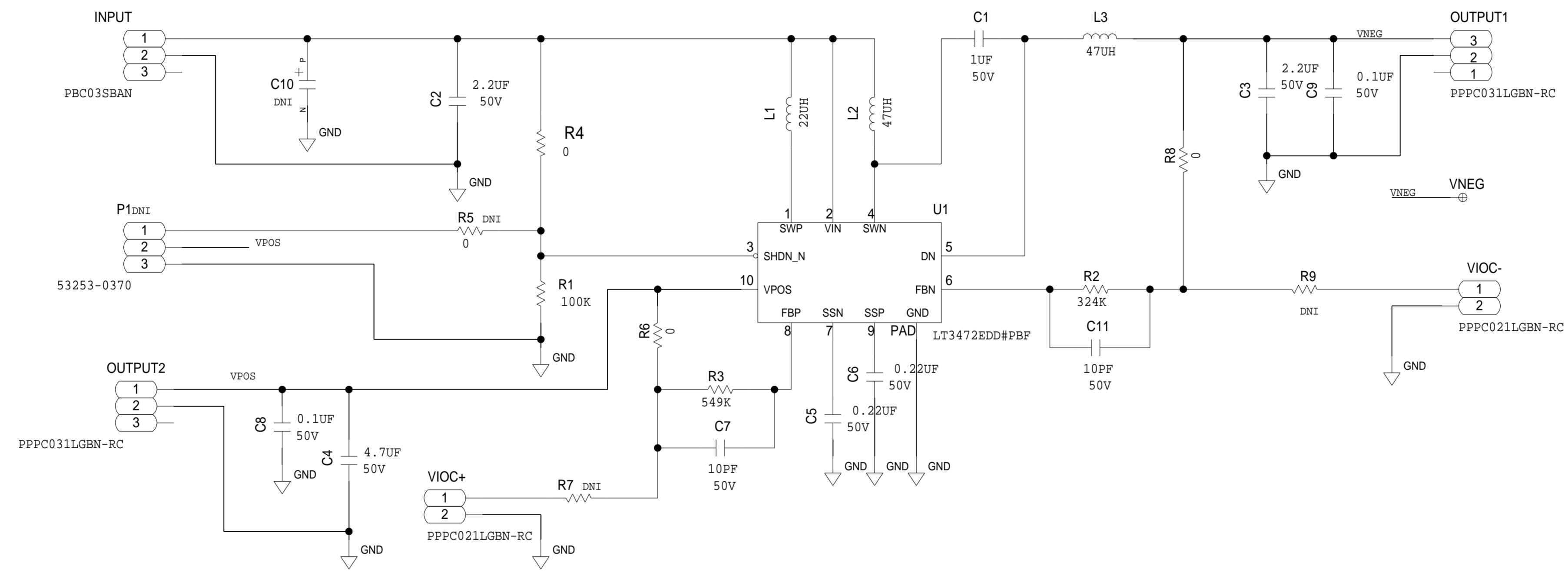



REVISIONS			
REV	DESCRIPTION	DATE	APPROVED

LT3472



	SCHEMATIC		
	HW TYPE : Customer Evaluation Board Z Product(s): LT3472		
	DESIGN VIEW <DESIGN_VIEW>	DRAWING NO. 02_057520	REV A
	PTD ENGINEER A. SERQUINA	SIZE D	SCALE 1:1