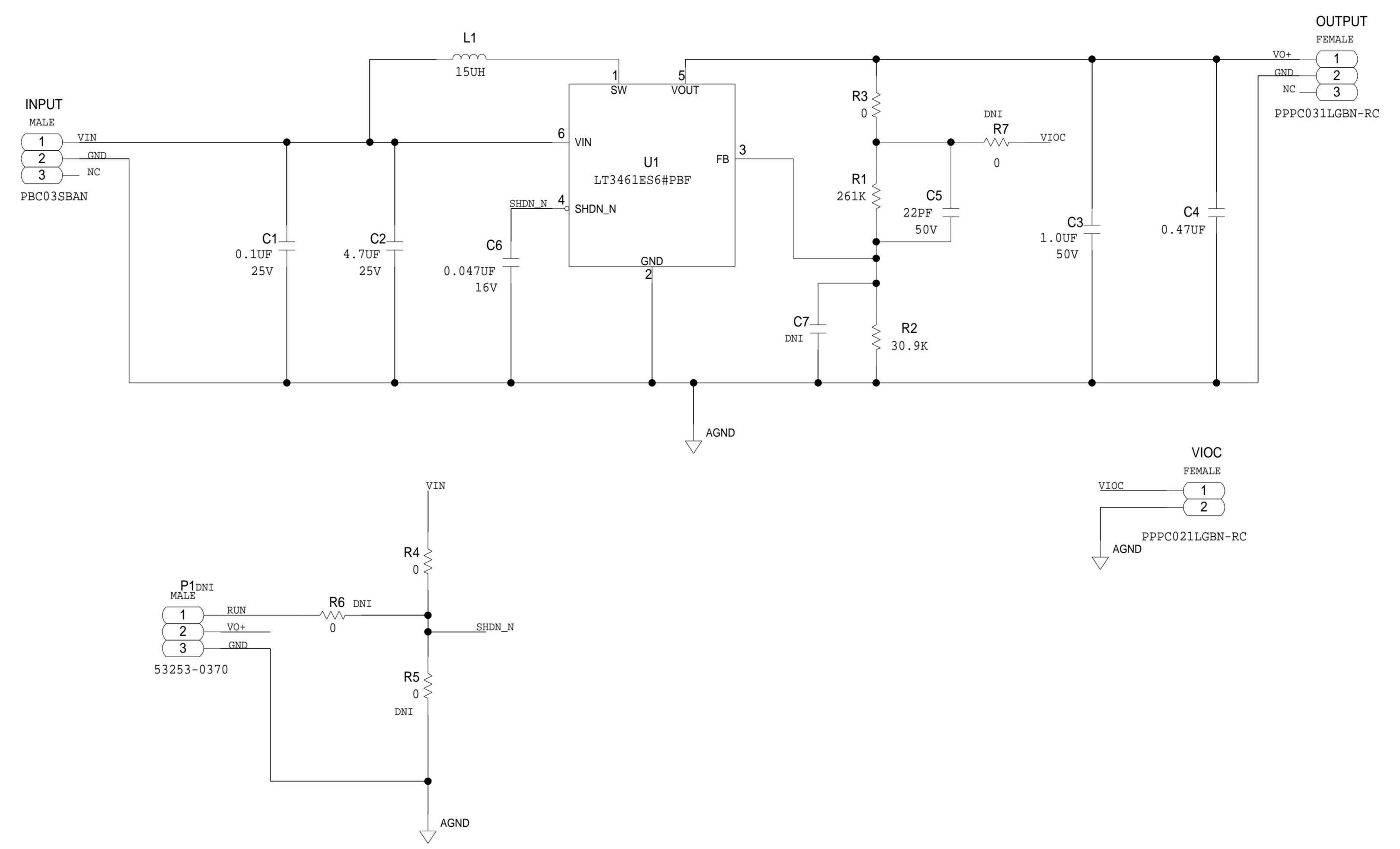


REVISIONS			
REV	DESCRIPTION	DATE	APPROVED

LT3461 BOOST



	SCHEMATIC		
	HW TYPE : Customer Evaluation Product(s): LT3461 : NA		
	DESIGN VIEW <DESIGN_VIEW>	DRAWING NO. 02_059992	REV A
PTD ENGINEER J VIERNES	SIZE D	SCALE 1:1	SHEET 2 OF 2

THIS DRAWING IS THE PROPERTY OF ANALOG DEVICES INC. IT IS NOT TO BE REPRODUCED OR COPIED IN WHOLE OR IN PART, OR USED IN ANY MANNER, WITHOUT THE WRITTEN PERMISSION OF ANALOG DEVICES. THE EQUIPMENT SHOWN HEREIN MAY BE PROTECTED BY PATENTS OWNED OR CONTROLLED BY ANALOG DEVICES.