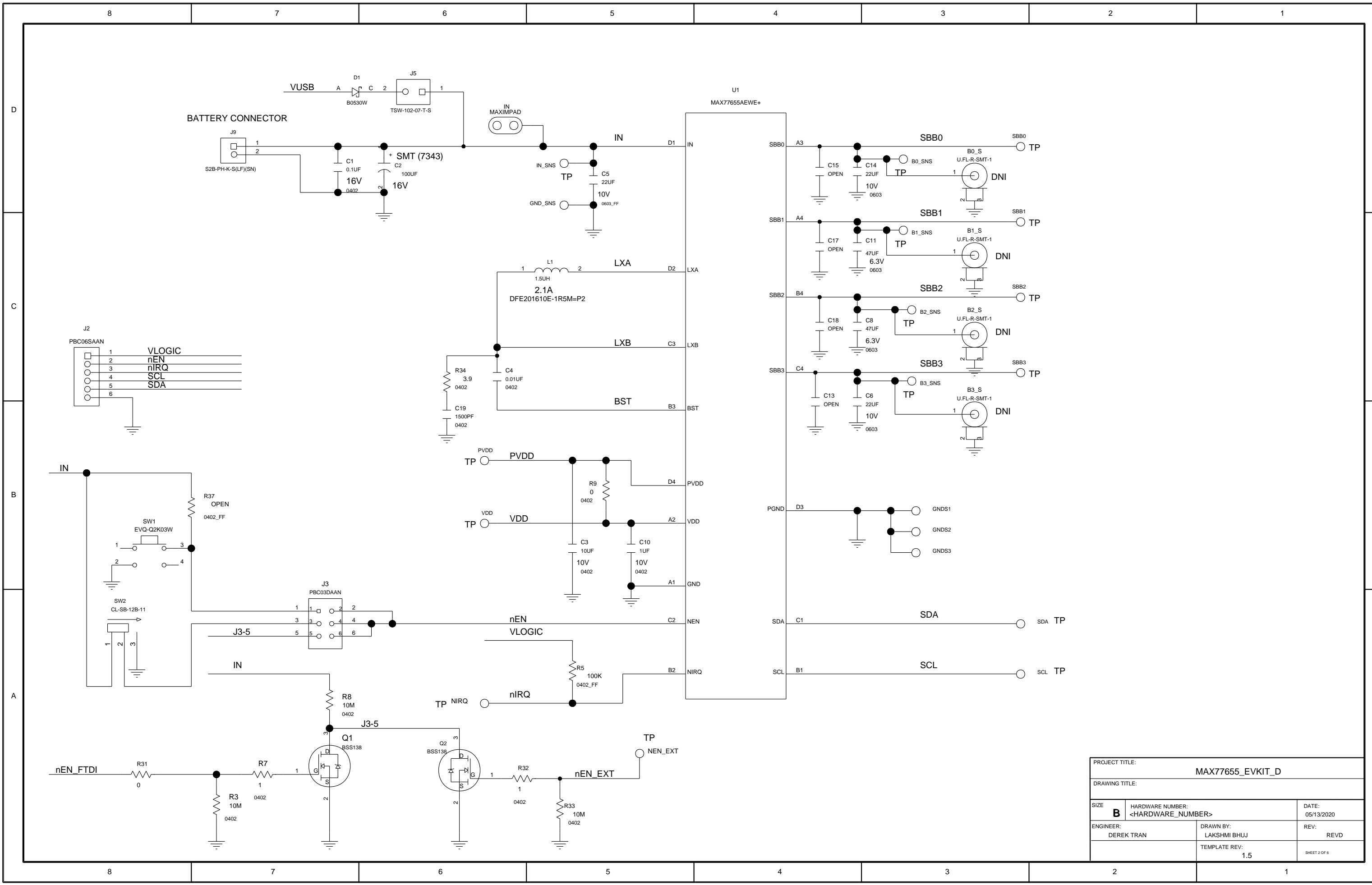


8	7	6	5	4	3	2	1
Part Number	Configuration	7-bit	8-bit Write	8-bit Read			
MAX77655 (PMIC)	ADDR[1:0] OTP Bitfield	0x40,0x44,0x48 OR 0x52 0b100 xxx0	0x80,0x88,0x90 OR 0xA4 0b100x xx00	0x81,0x89,0x91 OR 0xA5 0b100x xx01			
MAX77655 (PMIC)	Maxim internal test mode	0x49 0b100 1001	0x92 0b1001 0010	0x93 0b1001 0011			
MAX11614 (ADC)	N/A	0x33 0b011 0011	0x66 0b0110 0110	0x67 0b0110 0111			
MAX5825 (DAC)	ADDR1=ADDR0=VDDIO	0x1F 0b001 1111	0x3E 0b0011 1110 0x10 * 0b0010 1000	0x3F 0b0011 1111			
AT24CS02 (EEPROM)	A0=A1=A2=GND	0x50 ** 0b101 0000	0b1010 0000	0b1010 0001			

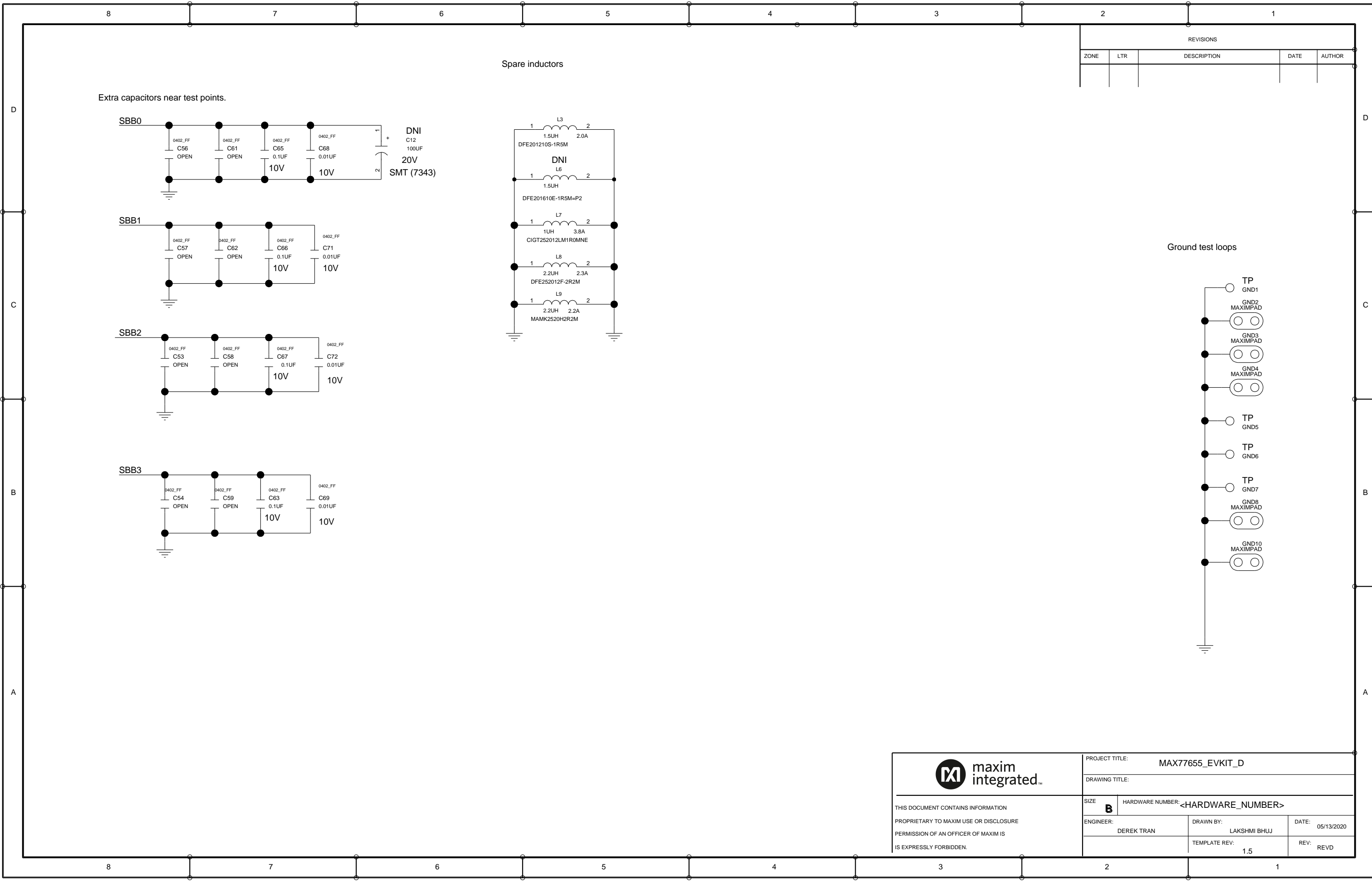
*MAX5825 ALSO RESPONDS TO AN I2C BROADCAST ADDRESS 0b0010 1000

**AT24CS02 ALSO RESPONDS TO 0b1011 0001 FOR READING THE SERIAL NUMBER

PROJECT TITLE: MAX77655_EVKIT_D		
DRAWING TITLE:		
SIZE B	HARDWARE NUMBER: <HARDWARE_NUMBER>	DATE: 05/13/2020
ENGINEER: DEREK TRAN	DRAWN BY: LAKSHMI BHUJ	REV: REVD
	TEMPLATE REV: 1.5	SHEET 1 OF 6

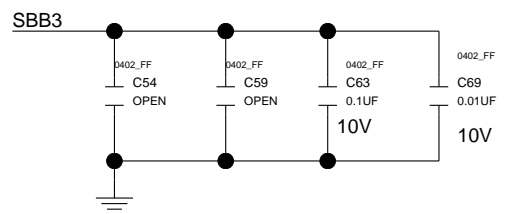
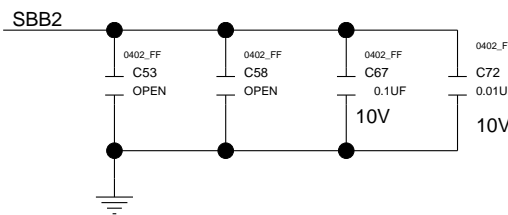
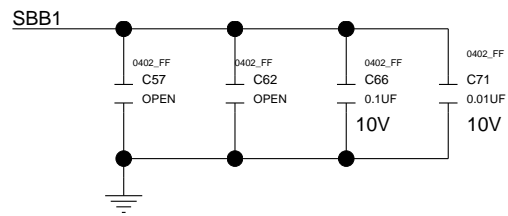
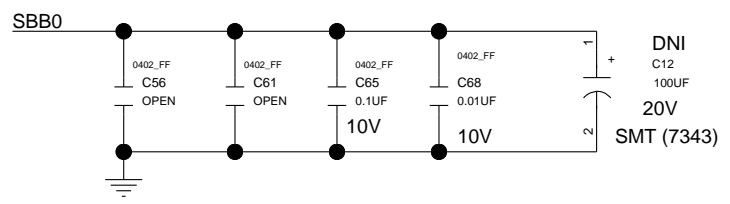


PROJECT TITLE:		
MAX77655_EVKIT_D		
DRAWING TITLE:		
SIZE B	HARDWARE NUMBER: <HARDWARE_NUMBER>	DATE: 05/13/2020
ENGINEER: DEREK TRAN	DRAWN BY: LAKSHMI BHUJ	REV: REVD
TEMPLATE REV: 1.5		SHEET 2 OF 6

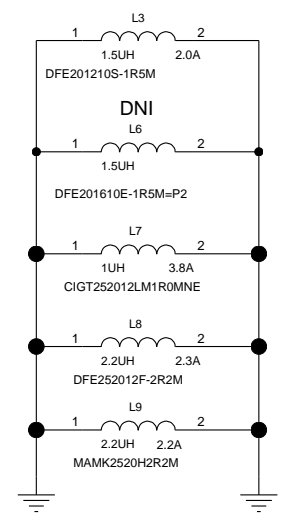


REVISIONS				
ZONE	LTR	DESCRIPTION	DATE	AUTHOR

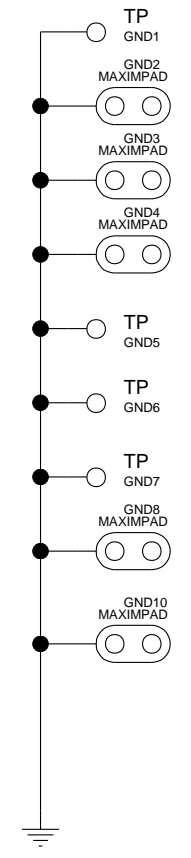
Extra capacitors near test points.



Spare inductors



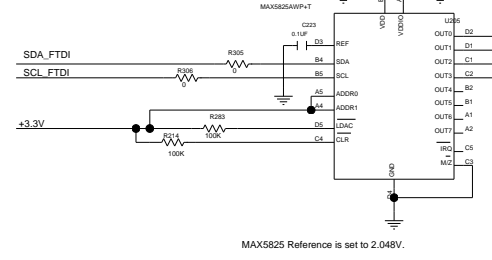
Ground test loops



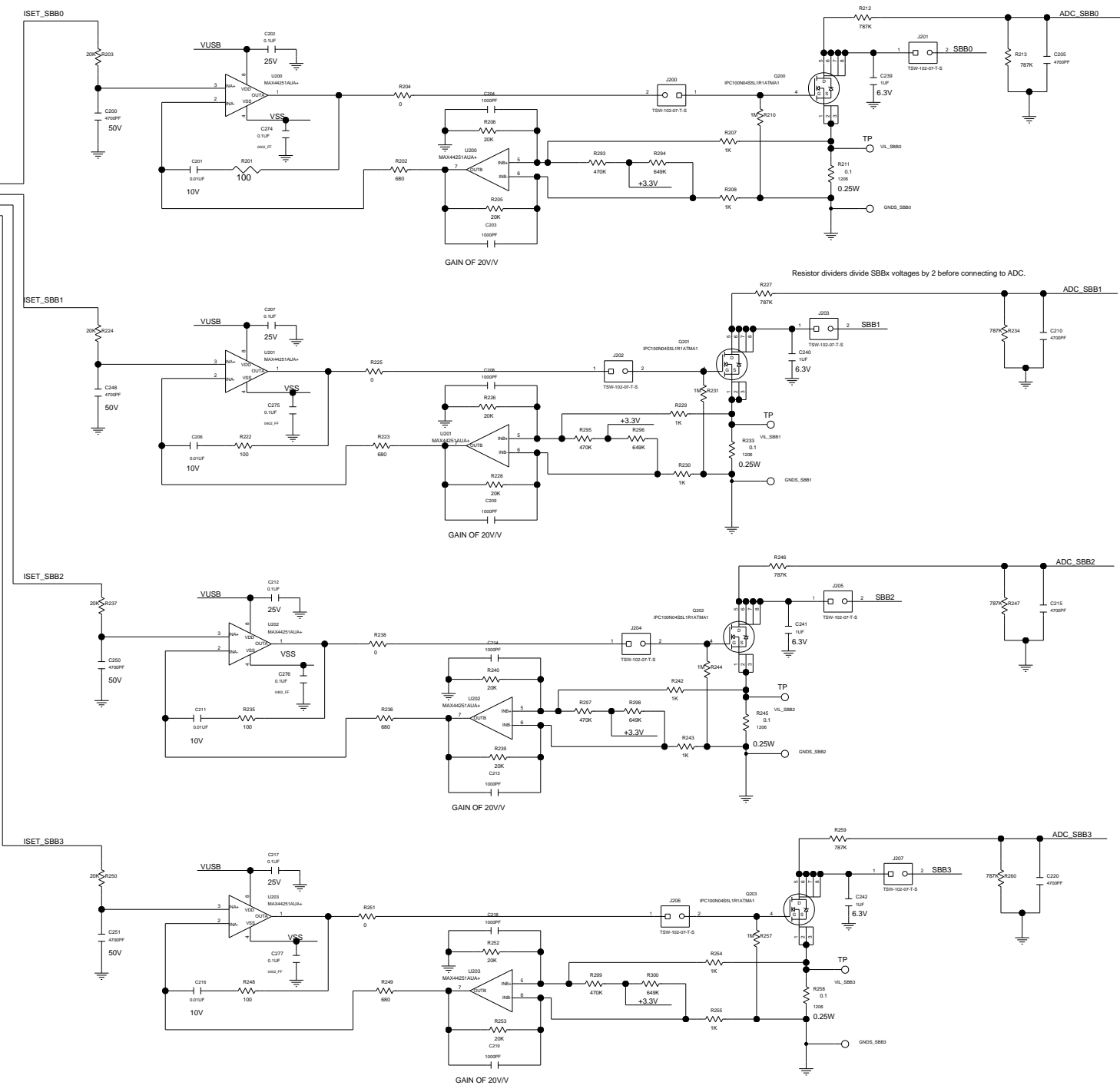
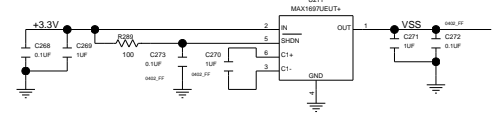
	PROJECT TITLE: MAX77655_EVKIT_D		
	DRAWING TITLE:		
THIS DOCUMENT CONTAINS INFORMATION PROPRIETARY TO MAXIM USE OR DISCLOSURE PERMISSION OF AN OFFICER OF MAXIM IS IS EXPRESSLY FORBIDDEN.	SIZE: B	HARDWARE NUMBER: <HARDWARE_NUMBER>	
	ENGINEER: DEREK TRAN	DRAWN BY: LAKSHMI BHUJ	DATE: 05/13/2020
		TEMPLATE REV: 1.5	REV: REVD

REVISIONS				
ZONE	LTR	DESCRIPTION	DATE	AUTHOR

Digital to Analog Converter

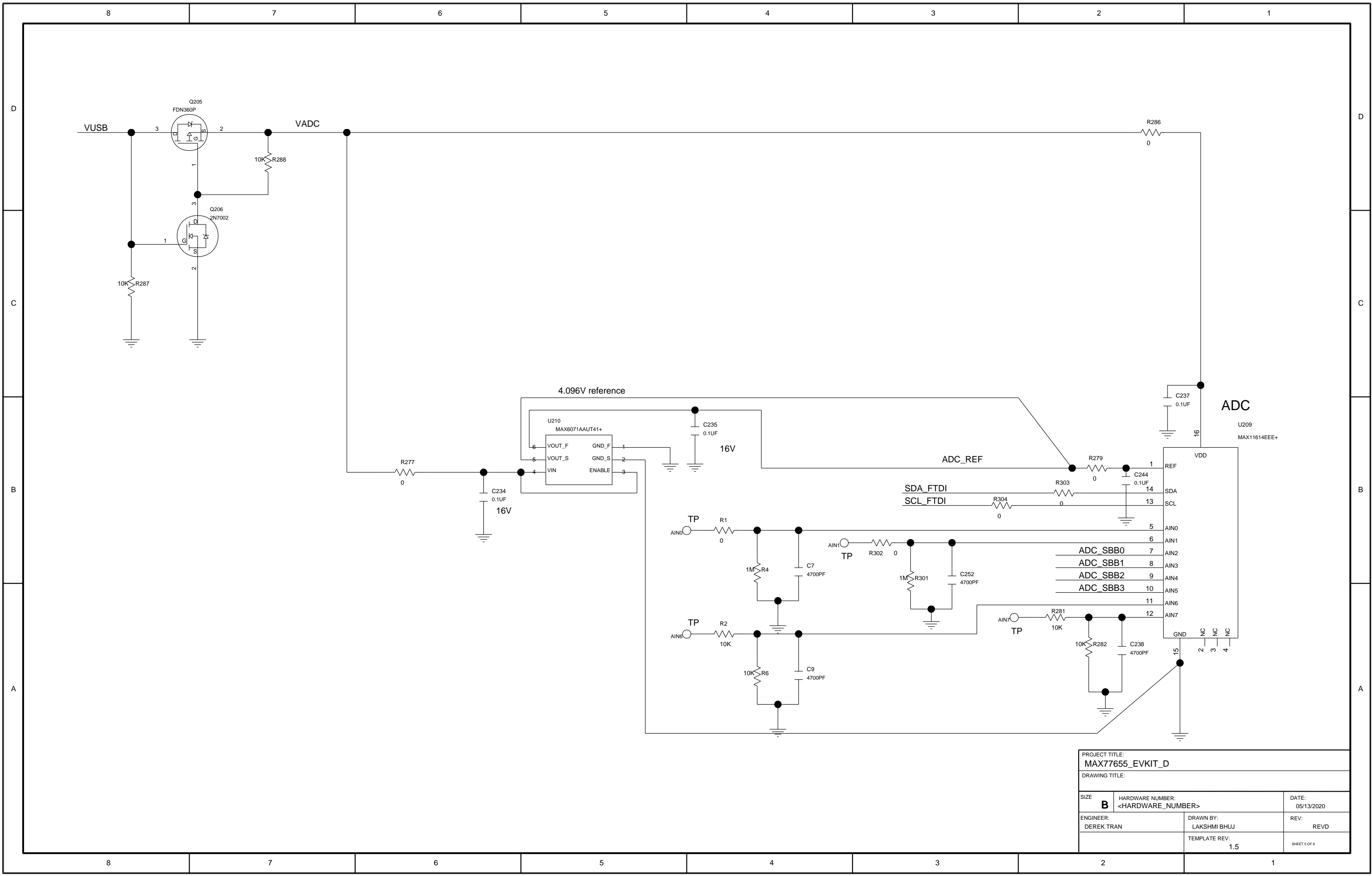


Amplifier Vss Supply



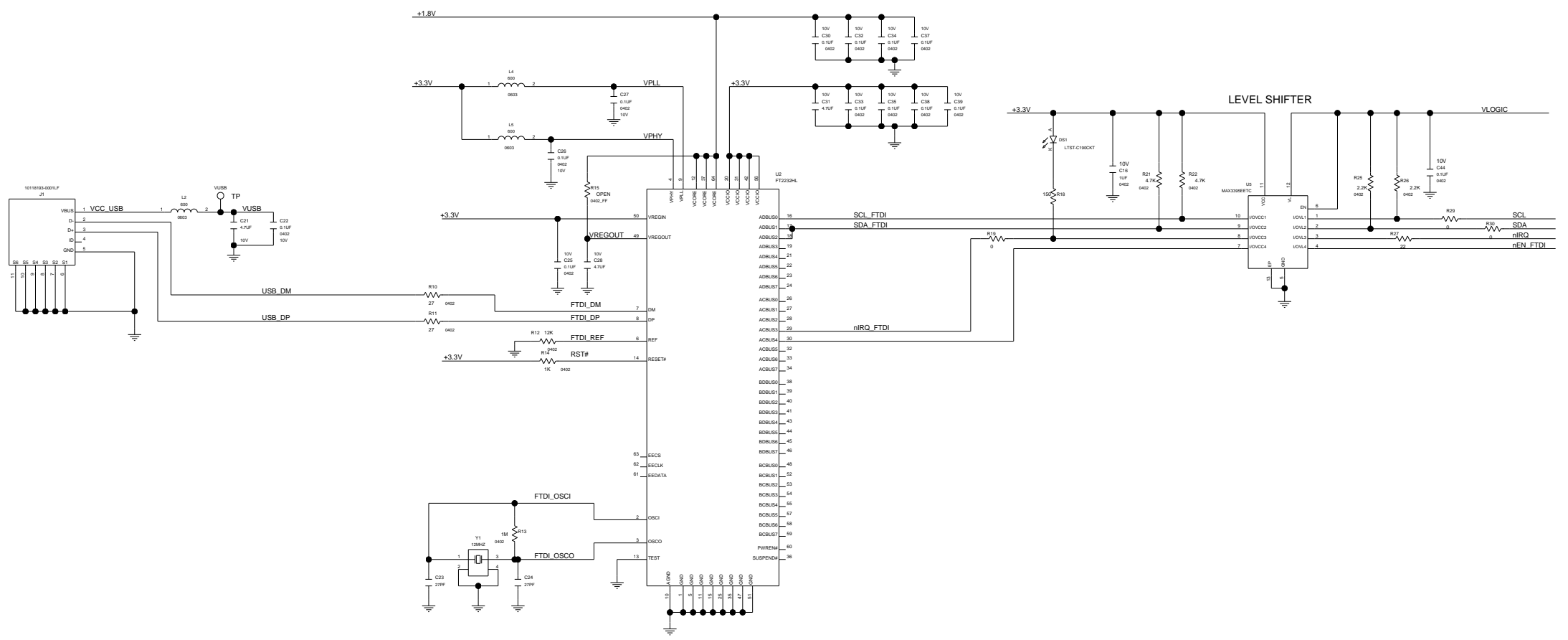
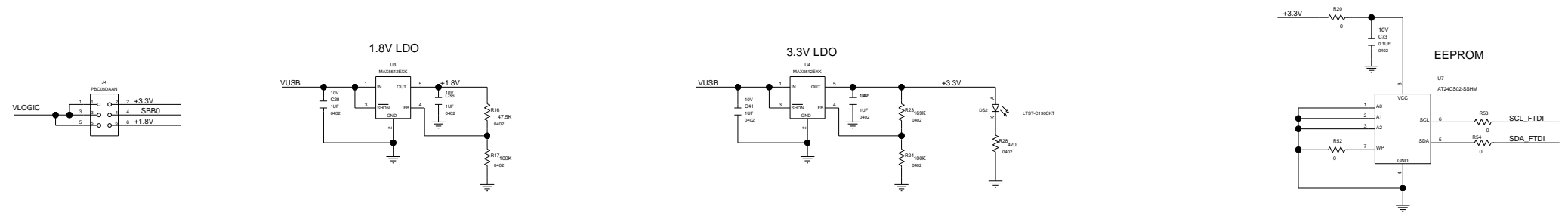
THIS DOCUMENT CONTAINS INFORMATION PROPRIETARY TO MAXIM USE OR DISCLOSURE WITHOUT THE WRITTEN PERMISSION OF AN OFFICER OF MAXIM IS EXPRESSLY FORBIDDEN

PROJECT TITLE: MAX77655_EVKIT_D	
DRAWING TITLE: Electronic_Loads	
SIZE: D	HARDWARE NUMBER: <HARDWARE_NUMBER>
ENGINEER: DEREK TRAN	DATE: 05/13/2020
DRAWN BY: LAKSHMI BHUJ	REV: REVD
TEMPLATE REV: 1.5	SHEET 4 OF 6



PROJECT TITLE: MAX77655_EVKIT_D		
DRAWING TITLE:		
SIZE B	HARDWARE NUMBER: <HARDWARE_NUMBER>	DATE: 05/13/2020
ENGINEER: DEREK TRAN	DRAWN BY: LAKSHMI BHUJ	REV: REVD
	TEMPLATE REV: 1.5	SHEET 5 OF 6

REVISIONS				
ZONE	LTR	DESCRIPTION	DATE	AUTHOR



<p>THIS DOCUMENT CONTAINS INFORMATION PROPRIETARY TO MAXIM USE OR DISCLOSURE WITHOUT THE WRITTEN PERMISSION OF AN OFFICER OF MAXIM IS EXPRESSLY FORBIDDEN.</p>	PROJECT TITLE: MAX77655_EVKIT_D	
	DRAWING TITLE: FTDI	
	SIZE: D HARDWARE NUMBER: <HARDWARE_NUMBER>	DATE: 05/13/2020
ENGINEER: DEREK TRAN	DRAWN BY: LAKSHMI BHUJ	REV: REV D
	TEMPLATE REV: 1.5	SHEET 6 OF 6