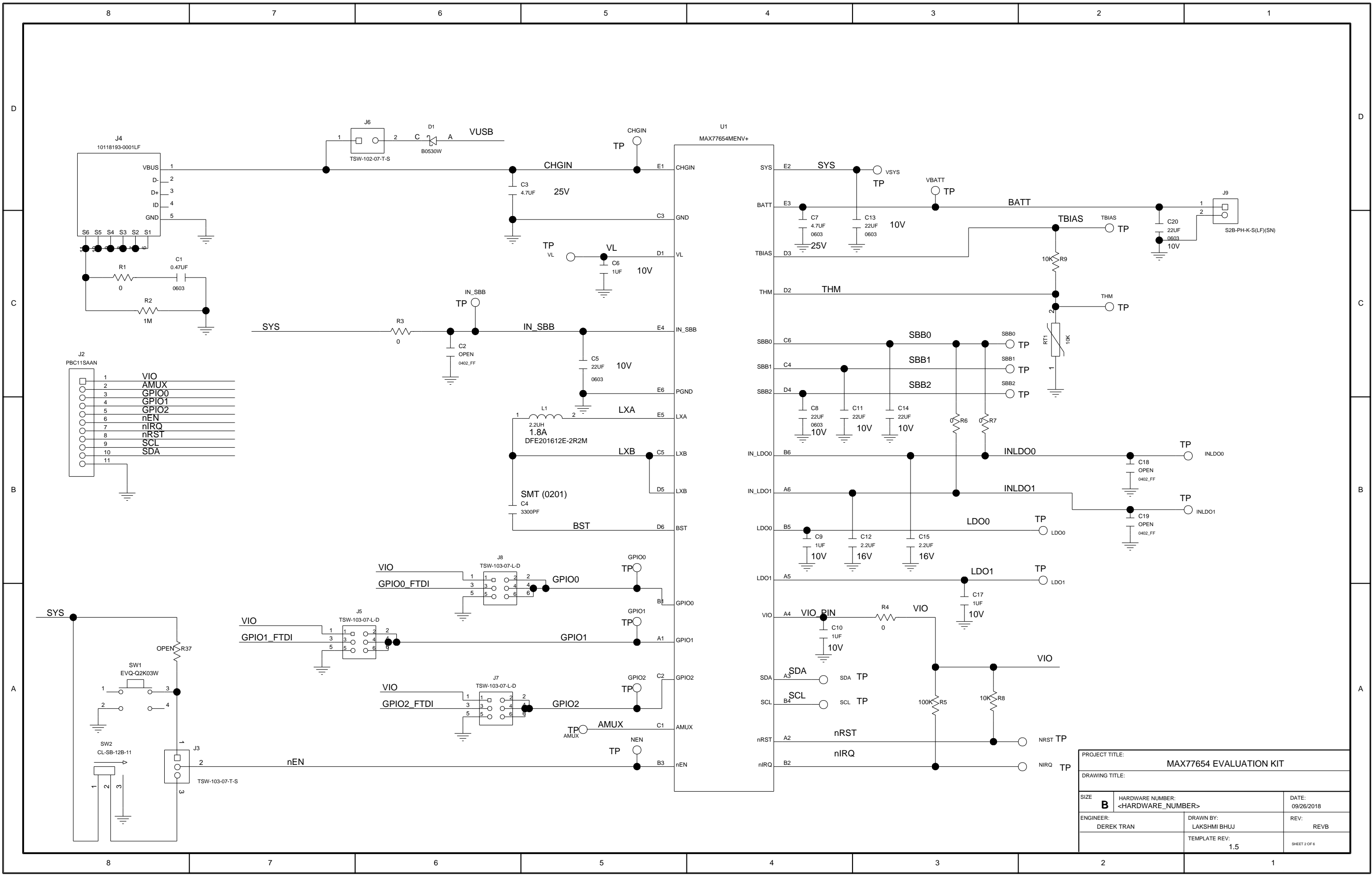


Part Number	Configuration	7-bit	8-bit Write	8-bit Read
MAX77654 (PMIC)	ADDR OTP bit set for 0	0x40 0b100 0000	0x80 0b1000 0000	0x81 0b1000 0001
MAX77654 (PMIC)	ADDR OTP bit set for 1	0x48 0b100 1000	0x90 0b1001 0000	0x91 0b1001 0001
MAX77654 (PMIC)	Maxim internal test mode	0x49 0b100 1001	0x92 0b1001 0010	0x93 0b1001 0011
MAX11614 (ADC)	N/A	0x33 0b011 0011	0x66 0b0110 0110	0x67 0b0110 0111
MAX5825 (DAC)	ADDR1=ADDR0=VDDIO	0x1F 0b001 1111	0x3E 0b0011 1110 0x10 * 0b0010 1000	0x3F 0b0011 1111
AT24CS02 (EEPROM)	A0=A1=A2=GND	0x50 ** 0b101 0000	0b1010 0000	0b1010 0001

*MAX5825 ALSO RESPONDS TO AN I2C BROADCAST ADDRESS 0b0010 1000

**AT24CS02 ALSO RESPONDS TO 0b1011 0001 FOR READING THE SERIAL NUMBER

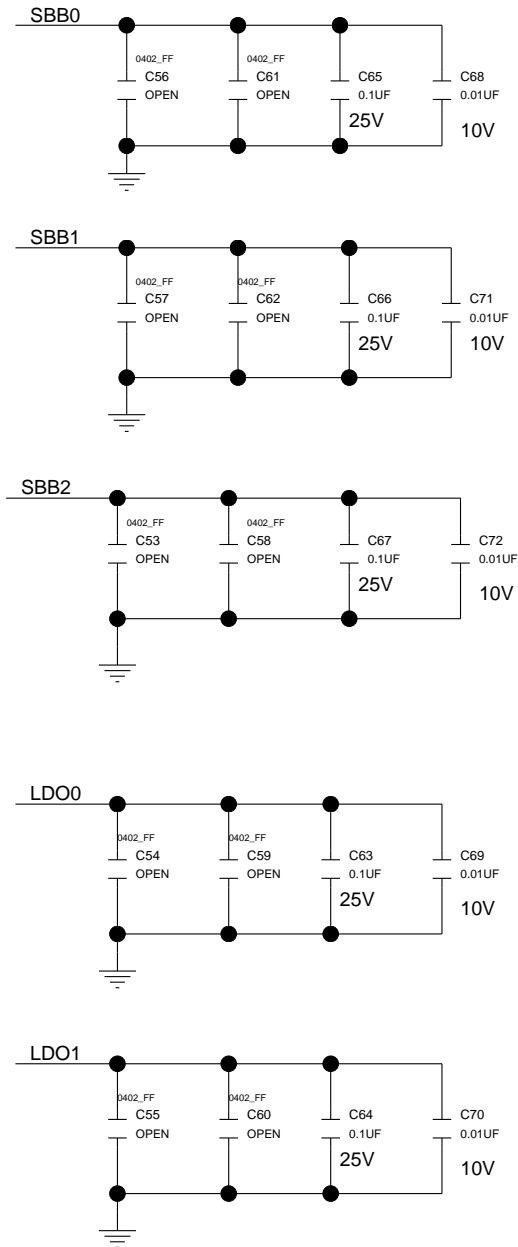
PROJECT TITLE: MAX77654 EVALUATION KIT		
DRAWING TITLE:		
SIZE B	HARDWARE NUMBER: <HARDWARE_NUMBER>	DATE: 09/26/2018
ENGINEER: DEREK TRAN	DRAWN BY: LAKSHMI BHUJ	REV: REVB
	TEMPLATE REV: 1.5	SHEET 1 OF 6



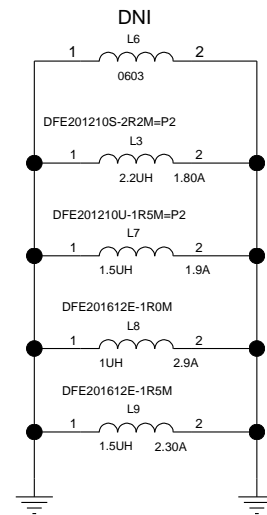
PROJECT TITLE:		
MAX77654 EVALUATION KIT		
DRAWING TITLE:		
SIZE	HARDWARE NUMBER:	DATE:
B	<HARDWARE_NUMBER>	09/26/2018
ENGINEER:	DRAWN BY:	REV:
DEREK TRAN	LAKSHMI BHUJ	REVB
TEMPLATE REV:		SHEET 2 OF 6
1.5		

REVISIONS				
ZONE	LTR	DESCRIPTION	DATE	AUTHOR

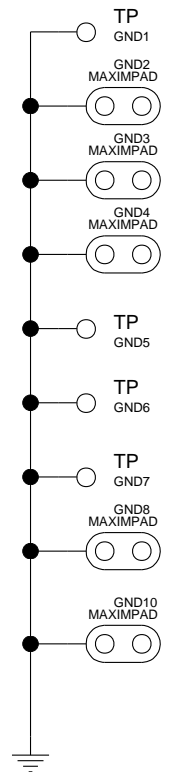
Extra capacitors near test points.



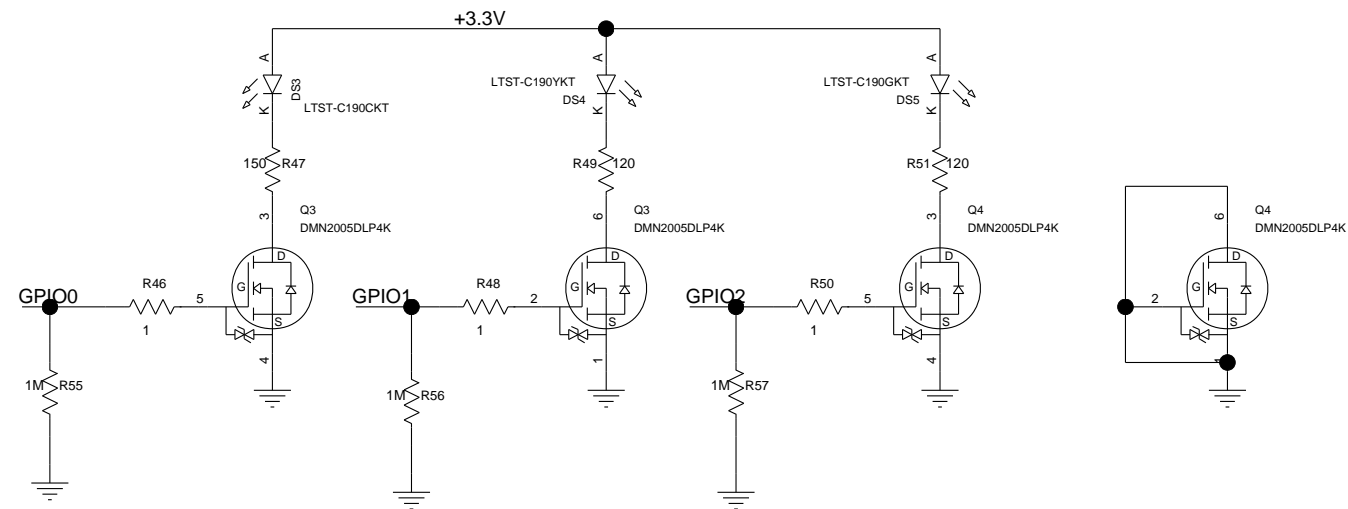
Spare inductors



Ground test loops



GPIO LEDs

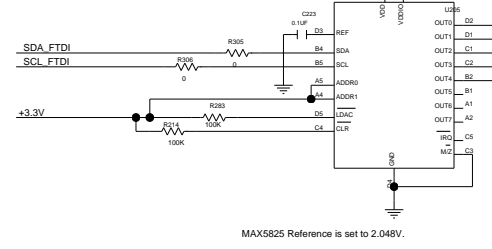


THIS DOCUMENT CONTAINS INFORMATION
PROPRIETARY TO MAXIM USE OR DISCLOSURE
PERMISSION OF AN OFFICER OF MAXIM IS
IS EXPRESSLY FORBIDDEN.

PROJECT TITLE: MAX77654 EVALUATION KIT		
DRAWING TITLE:		
SIZE: B	HARDWARE NUMBER: <HARDWARE_NUMBER>	
ENGINEER: DEREK TRAN	DRAWN BY: LAKSHMI BHUJ	DATE: 09/26/2018
	TEMPLATE REV: 1.5	REV: REVB

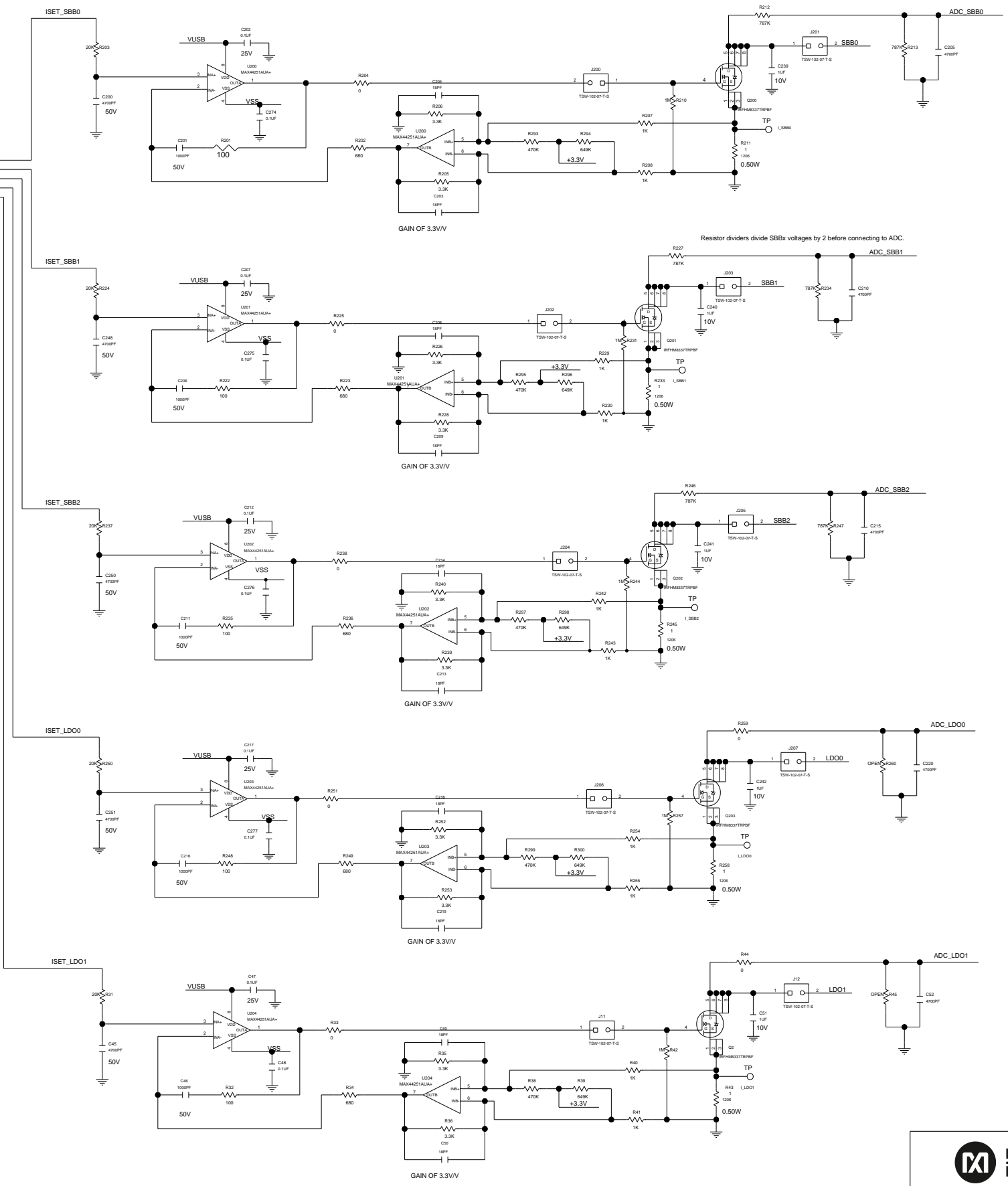
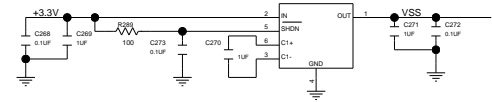
REVISIONS				
ZONE	LTR	DESCRIPTION	DATE	AUTHOR

Digital to Analog Converter



MAX5254 Reference is set to 2.048V.

Amplifier Vss Supply

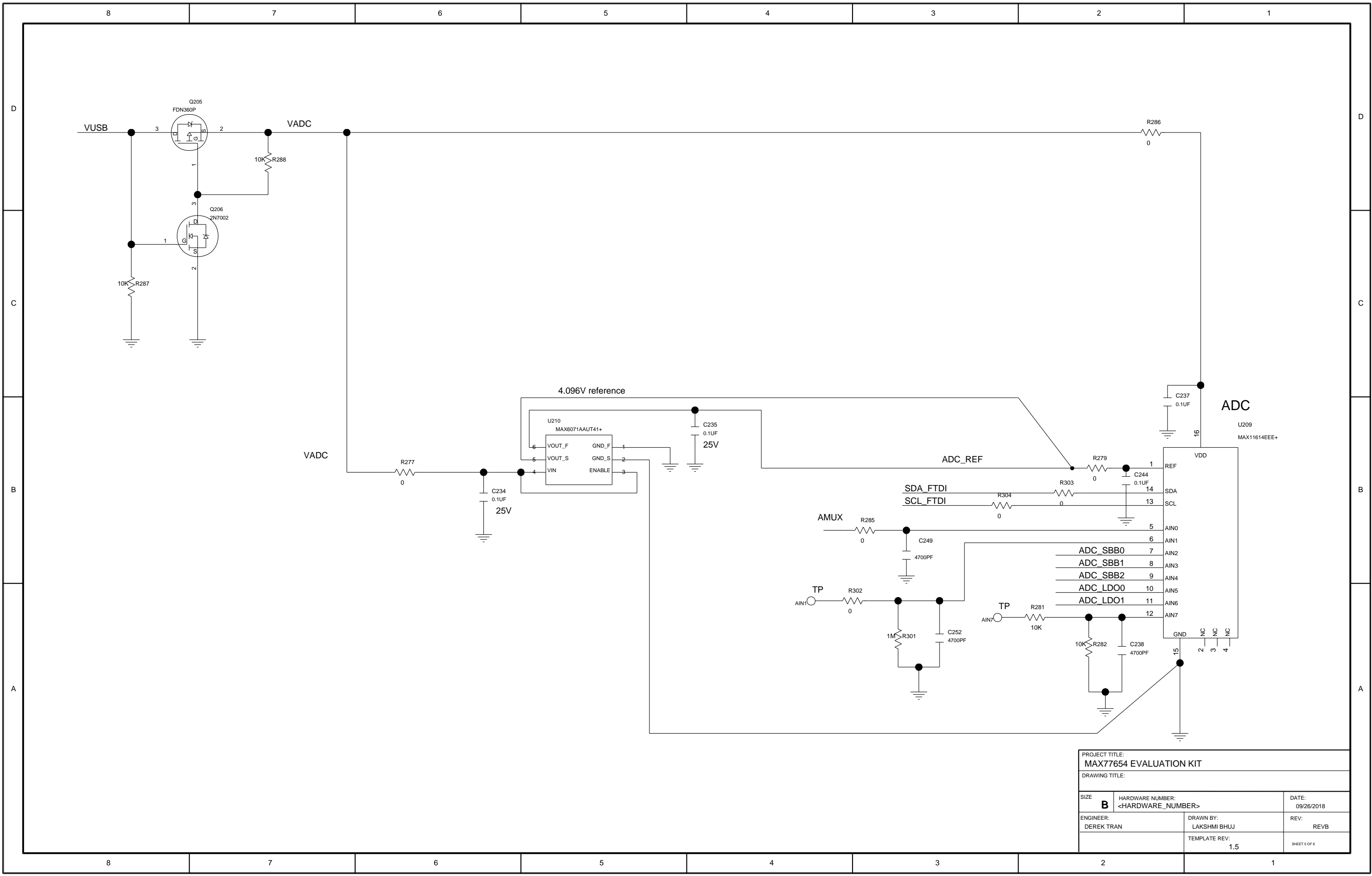


GAIN OF 3.3V/V

Resistor dividers divide SBBx voltages by 2 before connecting to ADC.

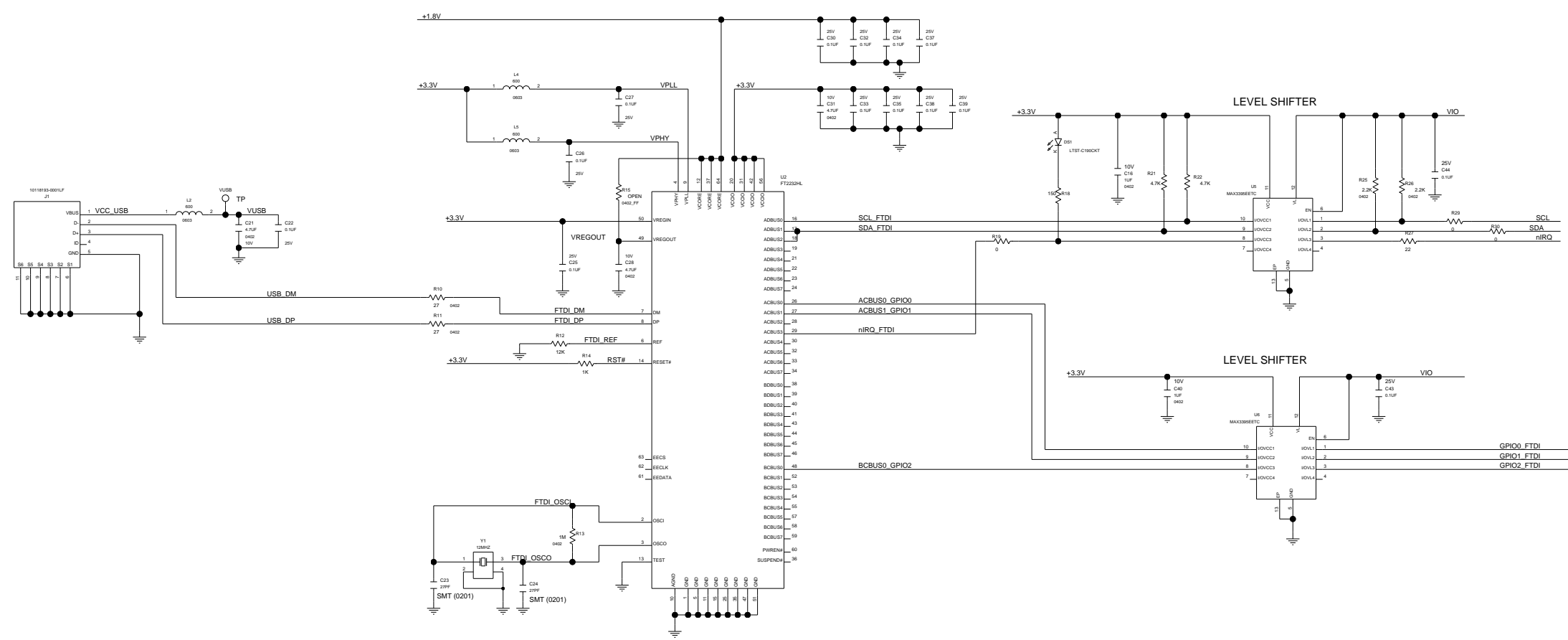
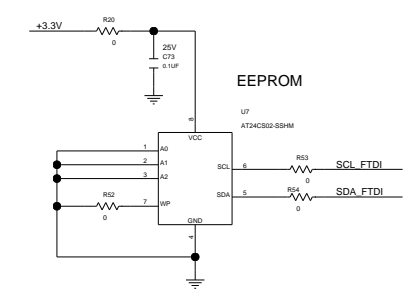
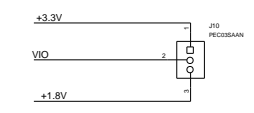
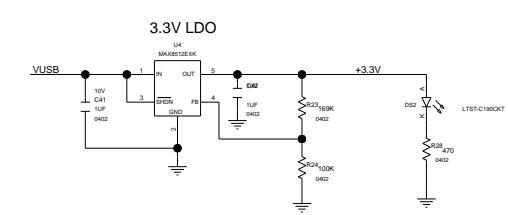
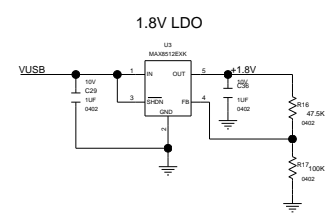


PROJECT TITLE: MAX77654 EVALUATION KIT			
DRAWING TITLE: Electronic_Loads			
SIZE: D	HARDWARE NUMBER: <HARDWARE_NUMBER>	DATE: 09/26/2016	
ENGINEER: DEREK TRAN	DRAWN BY: LAKSHMI BHUJ	REV: REV B	
TEMPLATE REV: 1.5		SHEET 4 OF 6	



PROJECT TITLE: MAX77654 EVALUATION KIT		
DRAWING TITLE:		
SIZE B	HARDWARE NUMBER: <HARDWARE_NUMBER>	DATE: 09/26/2018
ENGINEER: DEREK TRAN	DRAWN BY: LAKSHMI BHUJ	REV: REVB
	TEMPLATE REV: 1.5	SHEET 5 OF 6

REVISIONS				
ZONE	LTR	DESCRIPTION	DATE	AUTHOR



	PROJECT TITLE:	MAX77654 EVALUATION KIT			
	DRAWING TITLE:	FTDI			
SIZE	HARDWARE NUMBER:	<HARDWARE_NUMBER>	DATE:	09/26/2016	
ENGINEER:	DEREK TRAN	DRAWN BY:	LAKSHMI BHUJ	REV:	REVB
TEMPLATE REV:	1.5	SHEET 6 OF 6			

THIS DOCUMENT CONTAINS INFORMATION PROPRIETARY TO MAXIM USE OR DISCLOSURE WITHOUT THE WRITTEN PERMISSION OF AN OFFICER OF MAXIM IS EXPRESSLY FORBIDDEN.