

8 7 6 5 4 3 2 1

Part Number	Configuration	7-bit	8-bit Write	8-bit Read
MAX77641 (PMIC)	ADDR OTP bit set for 0	0x40 0b100 0000	0x80 0b1000 0000	0x81 0b1000 0001
MAX77641 (PMIC)	ADDR OTP bit set for 1	0x48 0b100 1000	0x90 0b1001 0000	0x91 0b1001 0001
MAX77641 (PMIC)	Maxim internal test mode	0x49 0b100 1001	0x92 0b1001 0010	0x93 0b1001 0011
MAX5815 (DAC)	ADDR1=ADDR0=GND	0x1F 0b001 1111	0x3E 0b0011 1110 0x10* 0b0001 0000	0x3F 0b0011 1111
24AA02 (EEPROM)	N/A	0x50 to 0x57 0b1010xxx	0b1010xxx0	0b1010xxx1

\*MAX5815 ALSO RESPONDS TO AN I2C BROADCAST ADDRESS 0b0001 0000

PROJECT TITLE: MAX77641 EVALUATION KIT		
DRAWING TITLE:		
SIZE <b>B</b>	HARDWARE NUMBER: <HARDWARE_NUMBER>	DATE: 09/21/2017
ENGINEER: RYAN MARQUISS	DRAWN BY: LAKSHMI BHUJ	REV: REVA
	TEMPLATE REV: 1.5	SHEET 1 OF 5

8 7 6 5 4 3 2 1

D

C

B

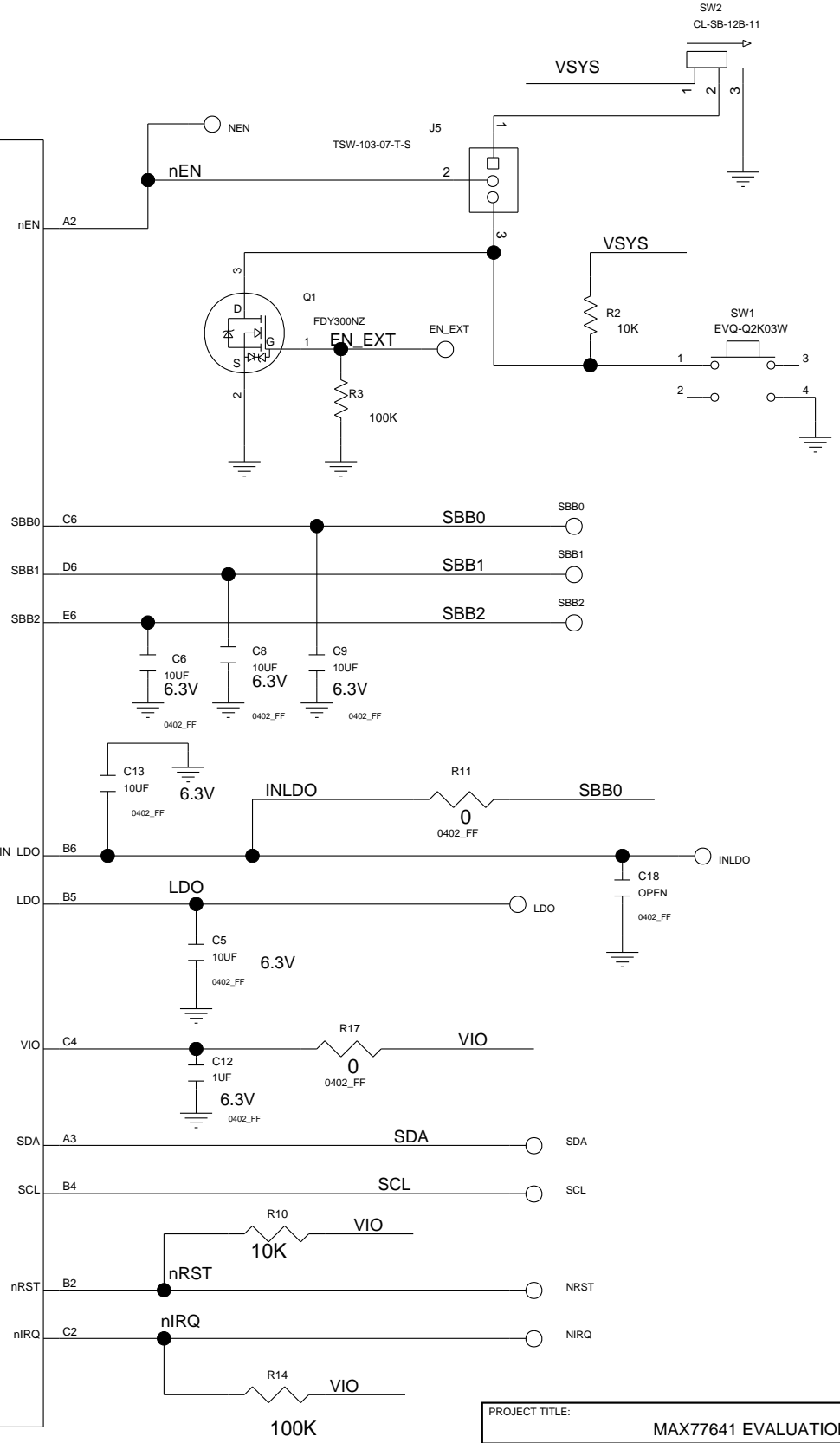
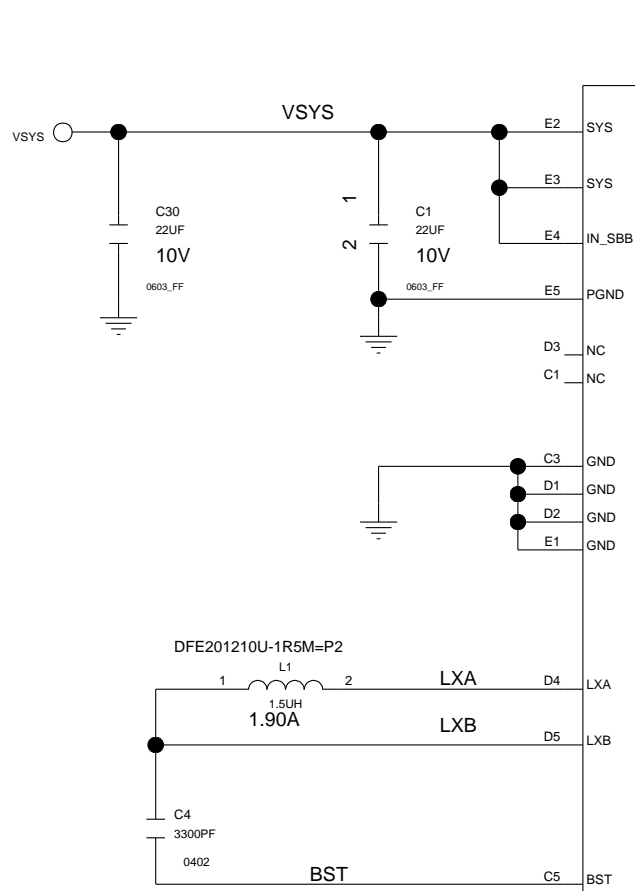
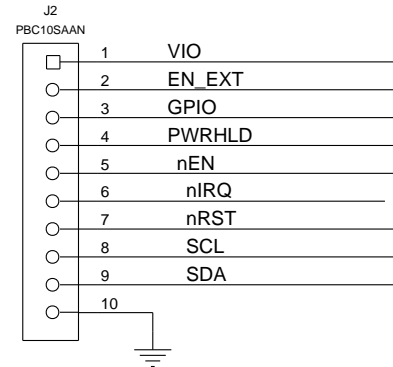
A

D

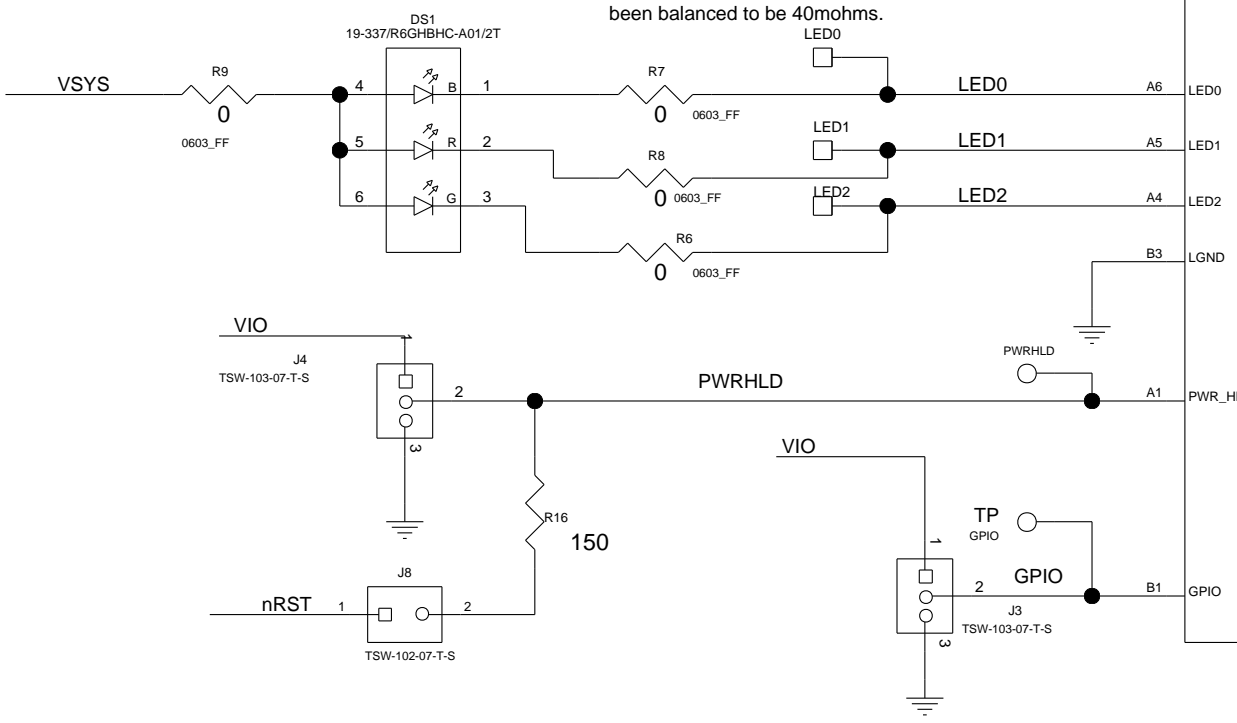
C

B

A

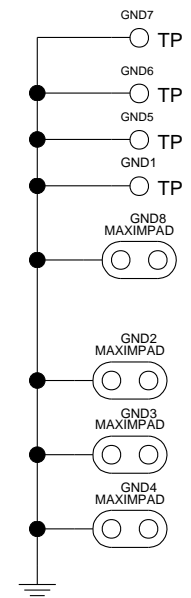
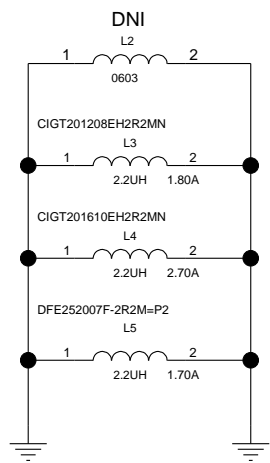
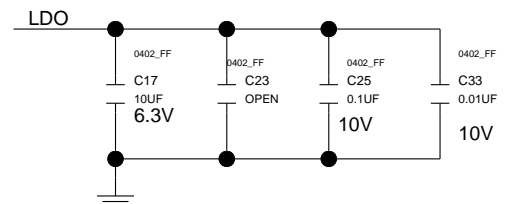
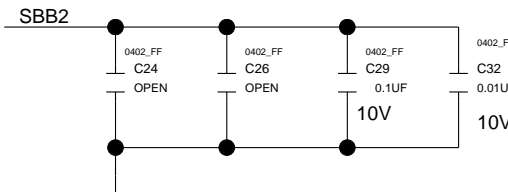
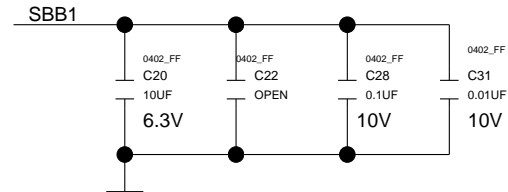
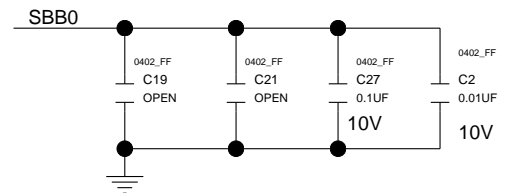


Impedence between LEDx pins and their test points have been balanced to be 40mohms.



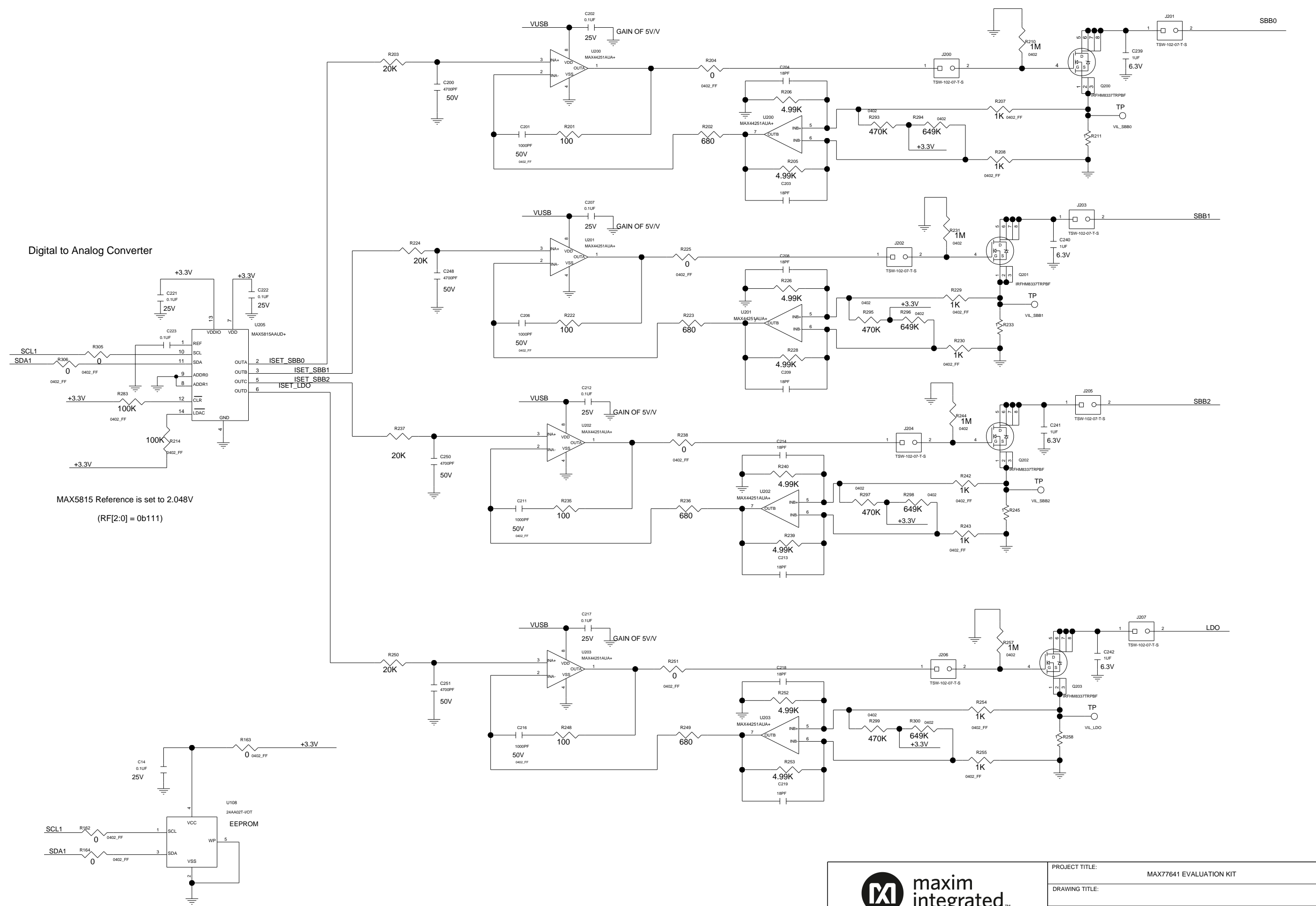
PROJECT TITLE: MAX77641 EVALUATION KIT		
DRAWING TITLE:		
SIZE <b>B</b>	HARDWARE NUMBER: <HARDWARE_NUMBER>	DATE: 09/21/2017
ENGINEER: RYAN MARQUISS	DRAWN BY: LAKSHMI BHUJ	REV: REVA
TEMPLATE REV: 1.5		SHEET 2 OF 5

REVISIONS				
ZONE	LTR	DESCRIPTION	DATE	AUTHOR



	PROJECT TITLE: MAX77641 EVALUATION KIT		
	DRAWING TITLE:		
THIS DOCUMENT CONTAINS INFORMATION PROPRIETARY TO MAXIM USE OR DISCLOSURE PERMISSION OF AN OFFICER OF MAXIM IS IS EXPRESSLY FORBIDDEN.	SIZE <b>B</b>	HARDWARE NUMBER: <HARDWARE_NUMBER>	
	ENGINEER: RYAN MARQUISS	DRAWN BY: LAKSHMI BHUJ	DATE: 09/21/2017
		TEMPLATE REV: 1.5	REV: REVA

REVISIONS				
ZONE	LTR	DESCRIPTION	DATE	APPR.

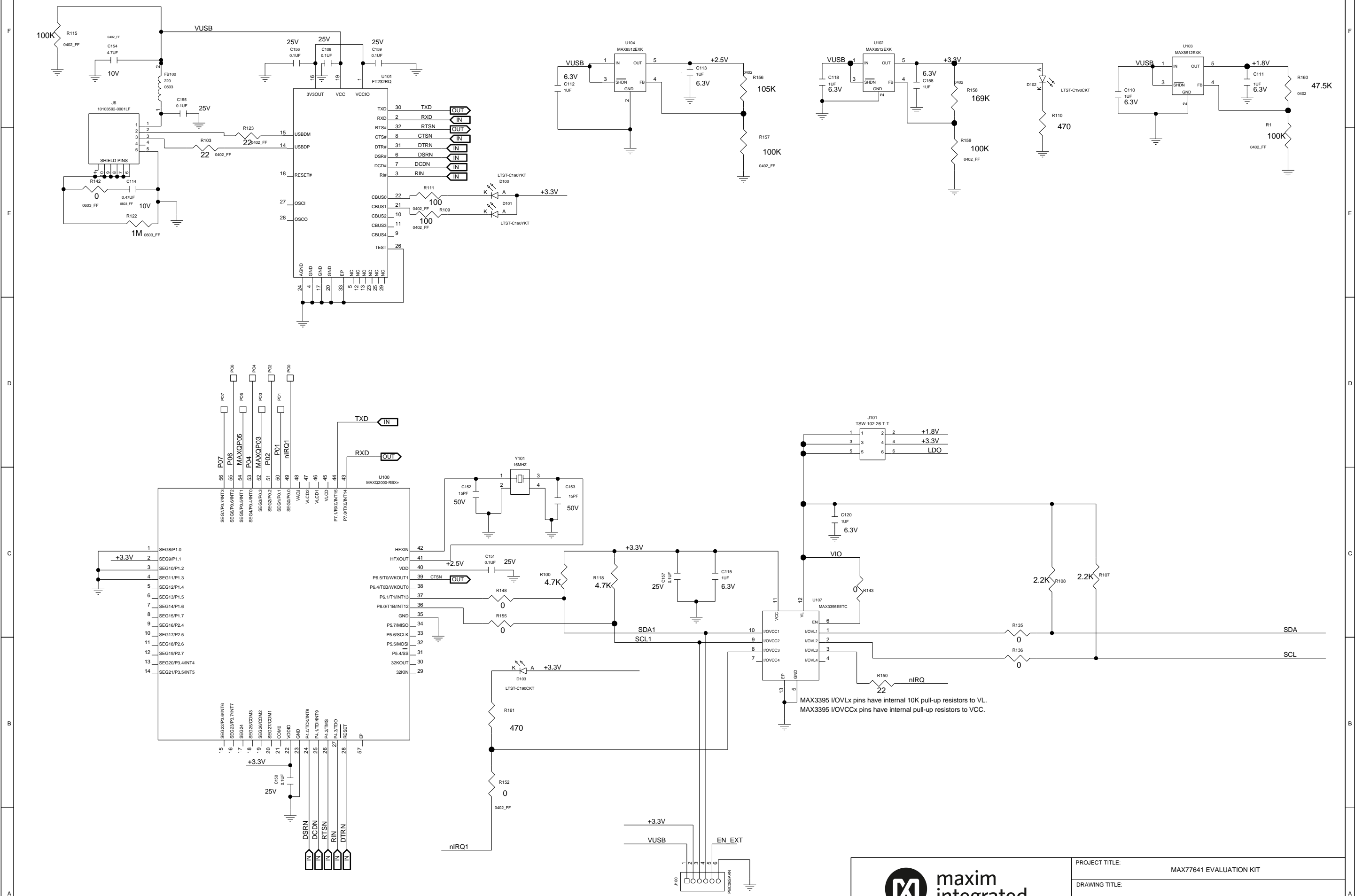


maxim integrated™

THIS DOCUMENT CONTAINS INFORMATION PROPRIETARY TO MAXIM USE OR DISCLOSURE WITHOUT THE WRITTEN PERMISSION OF AN OFFICER OF MAXIM IS EXPRESSLY FORBIDDEN.

PROJECT TITLE: MAX77641 EVALUATION KIT		
DRAWING TITLE:		
SIZE: C	HARDWARE NUMBER: <HARDWARE_NUMBER>	DATE: 09/21/2017
ENGINEER: RYAN MARQUISS	DRAWN BY: LAKSHMI BHUJ	REV.: REVA
TEMPLATE REV.: 1.5		SHEET 4 OF 5

REVISIONS				
ZONE	LTR	DESCRIPTION	DATE	APPR.



**maxim integrated™**

THIS DOCUMENT CONTAINS INFORMATION PROPRIETARY TO MAXIM USE OR DISCLOSURE WITHOUT THE WRITTEN PERMISSION OF AN OFFICER OF MAXIM IS EXPRESSLY FORBIDDEN.

PROJECT TITLE: MAX77641 EVALUATION KIT		
DRAWING TITLE: <HARDWARE_NUMBER>		
SIZE: <b>C</b>	HARDWARE NUMBER: <HARDWARE_NUMBER>	DATE: 09/21/2017
ENGINEER: RYAN MARQUISS	DRAWN BY: LAKSHMI BHUJ	REV.: REVA
TEMPLATE REV.: 1.5		SHEET 5 OF 5