

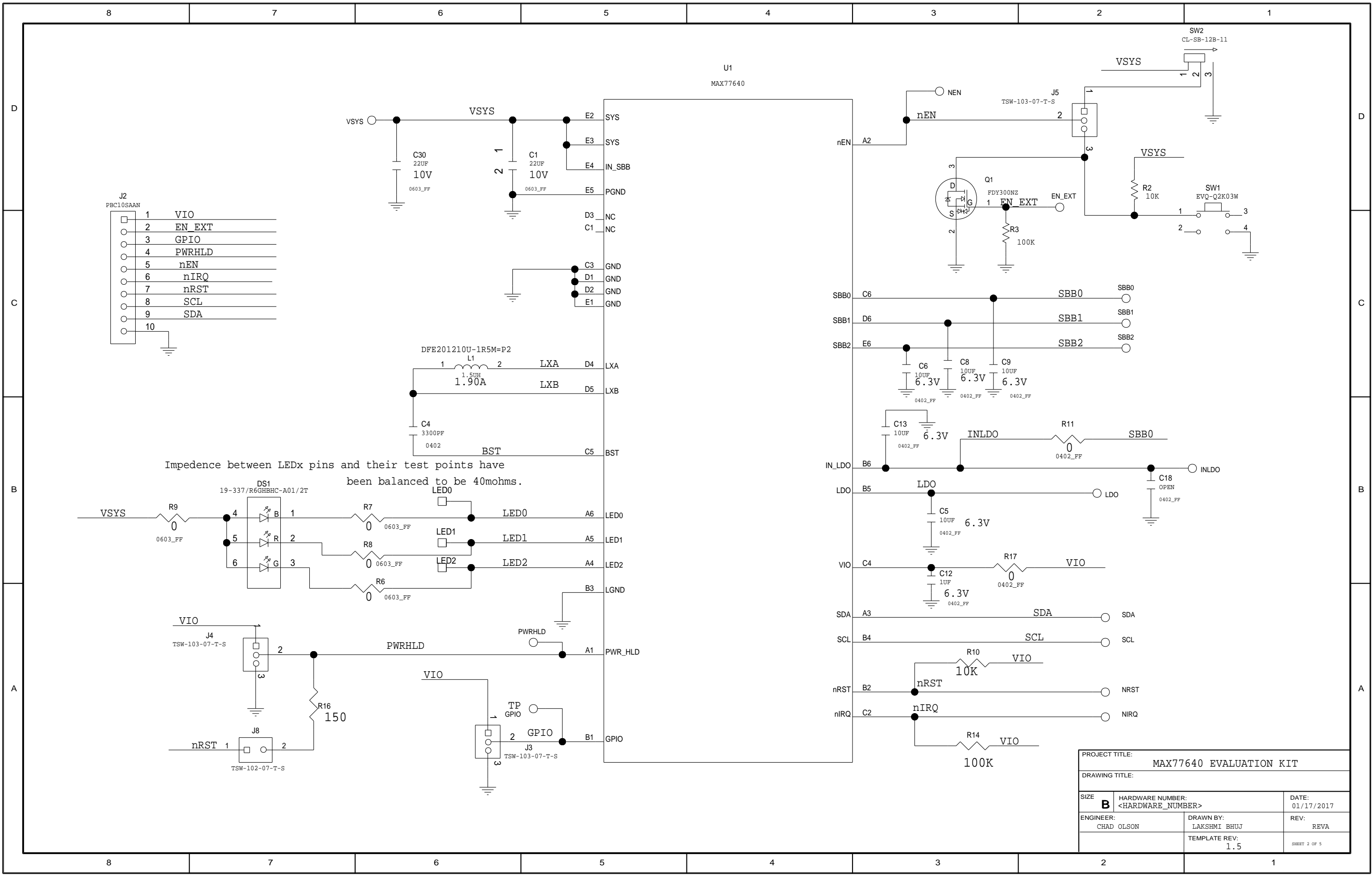
8 7 6 5 4 3 2 1

Part Number	Configuration	7-bit	8-bit Write	8-bit Read
MAX77640 (PMIC)	ADDR OTP bit set for 0	0x40 0b100 0000	0x80 0b1000 0000	0x81 0b1000 0001
MAX77640 (PMIC)	ADDR OTP bit set for 1	0x48 0b100 1000	0x90 0b1001 0000	0x91 0b1001 0001
MAX77640 (PMIC)	Maxim internal test mode	0x49 0b100 1001	0x92 0b1001 0010	0x93 0b1001 0011
MAX5815 (DAC)	ADDR1=ADDR0=GND	0x1F 0b001 1111	0x3E 0b0011 1110 0x10* 0b0001 0000	0x3F 0b0011 1111
24AA02 (EEPROM)	N/A	0x50 to 0x57 0b1010xxx	0b1010xxx0	0b1010xxx1

*MAX5815 ALSO RESPONDS TO AN I2C BROADCAST ADDRESS 0b0001 0000

PROJECT TITLE: MAX77640 EVALUATION KIT		
DRAWING TITLE:		
SIZE B	HARDWARE NUMBER: <HARDWARE_NUMBER>	DATE: 01/17/2017
ENGINEER: CHAD OLSON	DRAWN BY: LAKSHMI BHUJ	REV: REVA
	TEMPLATE REV: 1.5	SHEET 1 OF 5

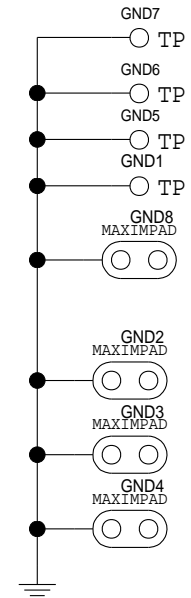
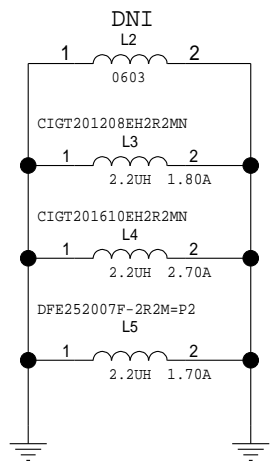
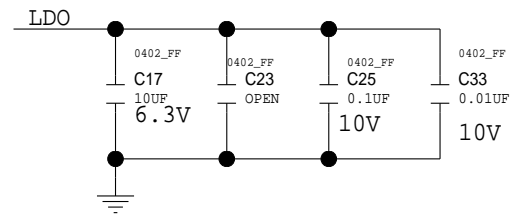
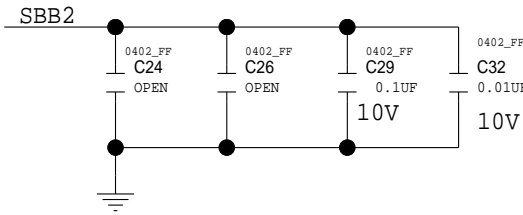
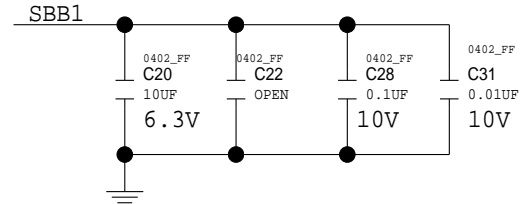
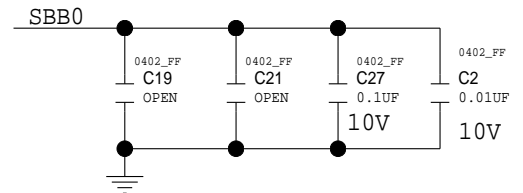
8 7 6 5 4 3 2 1



Impedance between LEDx pins and their test points have been balanced to be 40mohms.

PROJECT TITLE:		
MAX77640 EVALUATION KIT		
DRAWING TITLE:		
SIZE B	HARDWARE NUMBER: <HARDWARE_NUMBER>	DATE: 01/17/2017
ENGINEER: CHAD OLSON	DRAWN BY: LAKSHMI BHUJ	REV: REVA
TEMPLATE REV: 1.5		SHEET 2 OF 5

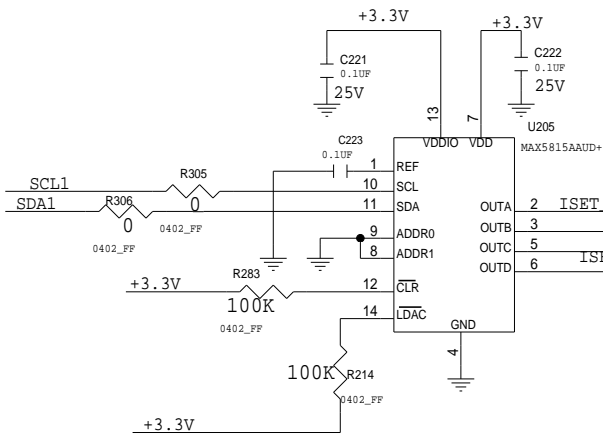
REVISIONS				
ZONE	LTR	DESCRIPTION	DATE	AUTHOR



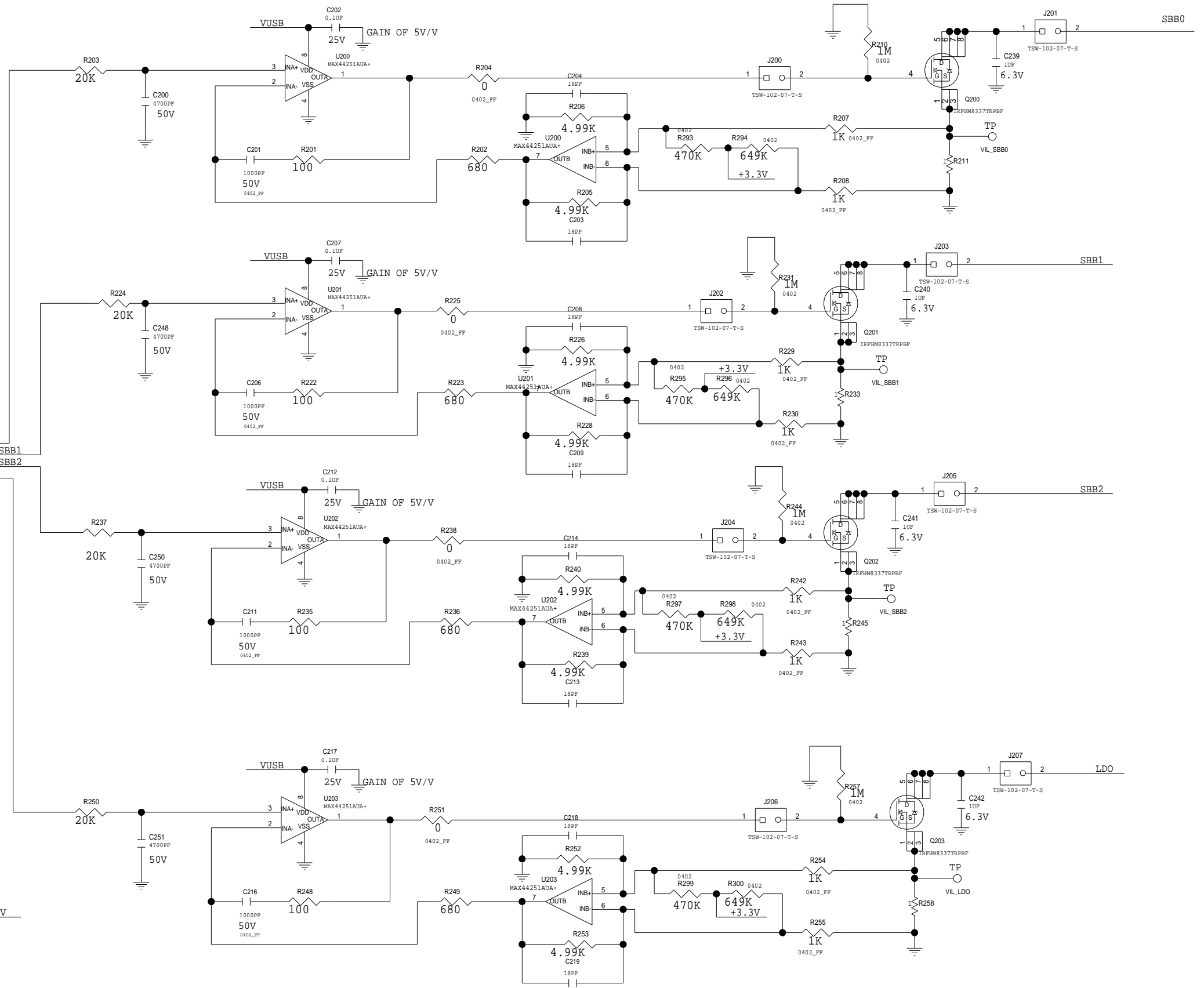
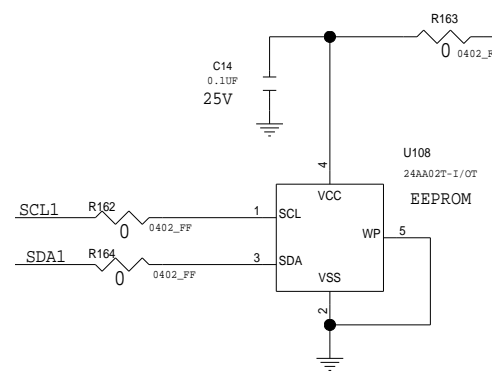
	PROJECT TITLE: MAX77640 EVALUATION KIT		
	DRAWING TITLE:		
THIS DOCUMENT CONTAINS INFORMATION PROPRIETARY TO MAXIM USE OR DISCLOSURE PERMISSION OF AN OFFICER OF MAXIM IS IS EXPRESSLY FORBIDDEN.	SIZE: B	HARDWARE NUMBER: <HARDWARE_NUMBER>	
	ENGINEER: CHAD OLSON	DRAWN BY: LAKSHMI BHUJ	DATE: 01/17/2017
	TEMPLATE REV: 1.5		REV: REVA

REVISIONS				
ZONE	LTR	DESCRIPTION	DATE	APPR.

Digital to Analog Converter



MAX5815 Reference is set to 2.048V
(RF[2:0] = 0b111)

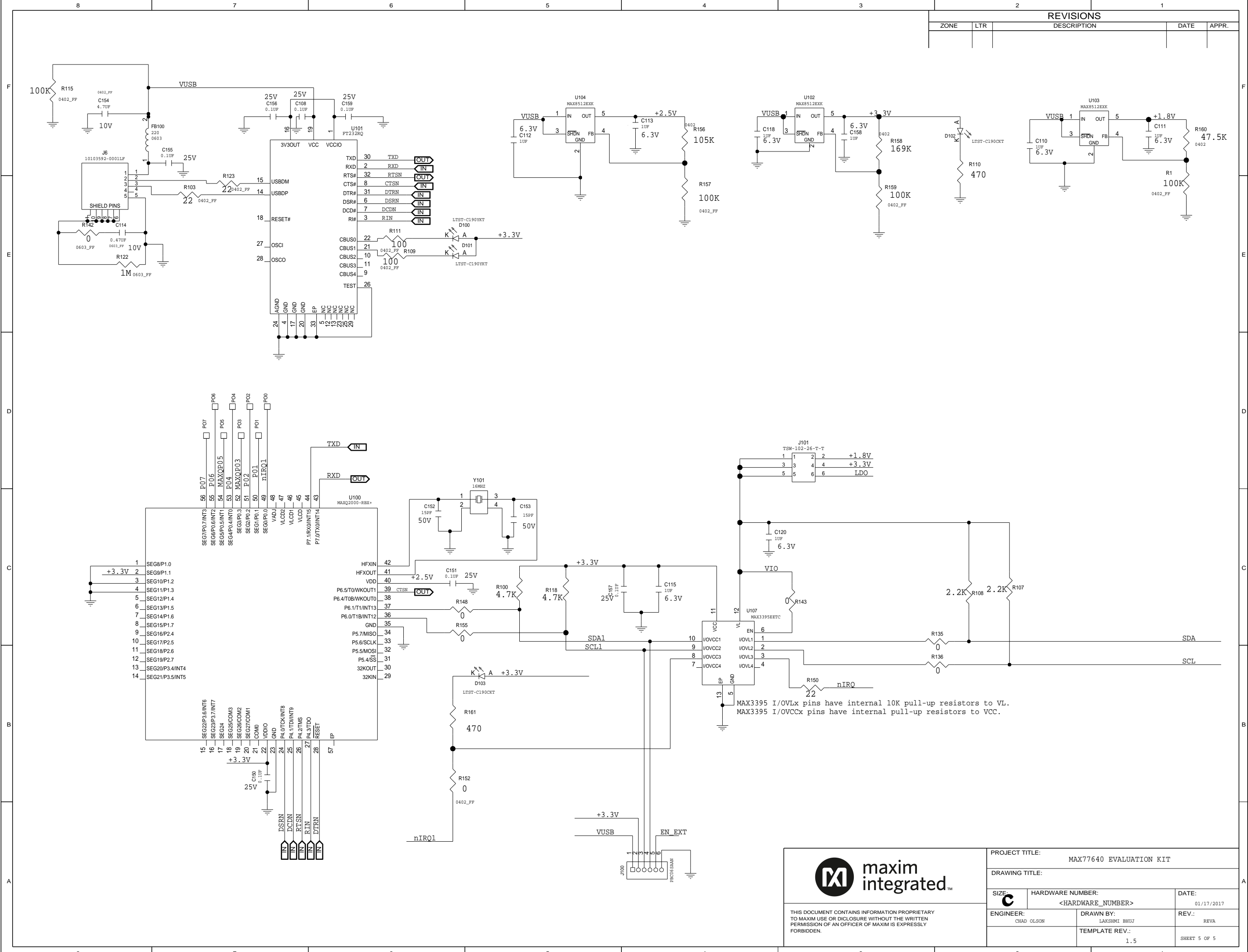


maxim integrated™

THIS DOCUMENT CONTAINS INFORMATION PROPRIETARY TO MAXIM USE OR DISCLOSURE WITHOUT THE WRITTEN PERMISSION OF AN OFFICER OF MAXIM IS EXPRESSLY FORBIDDEN.

PROJECT TITLE: MAX77640 EVALUATION KIT		
DRAWING TITLE:		
SIZE: C	HARDWARE NUMBER: <HARDWARE_NUMBER>	DATE: 01/17/2017
ENGINEER: CHAD OLSON	DRAWN BY: LAKSHMI BHUJ	REV.: REVA
TEMPLATE REV.: 1.5		SHEET 4 OF 5

REVISIONS				
ZONE	LTR	DESCRIPTION	DATE	APPR.



maxim integrated™

THIS DOCUMENT CONTAINS INFORMATION PROPRIETARY TO MAXIM USE OR DISCLOSURE WITHOUT THE WRITTEN PERMISSION OF AN OFFICER OF MAXIM IS EXPRESSLY FORBIDDEN.

PROJECT TITLE: MAX77640 EVALUATION KIT		
DRAWING TITLE: <HARDWARE_NUMBER>		
SIZE: C	HARDWARE NUMBER: <HARDWARE_NUMBER>	DATE: 01/17/2017
ENGINEER: CHAD OLSON	DRAWN BY: LAKSHMI BHUJ	REV.: REVA
	TEMPLATE REV.: 1.5	SHEET 5 OF 5