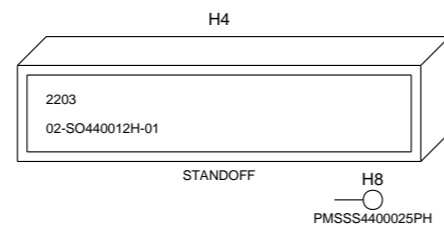
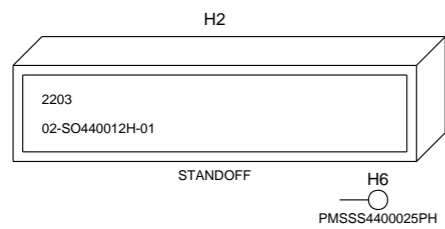
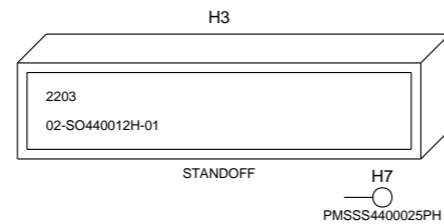
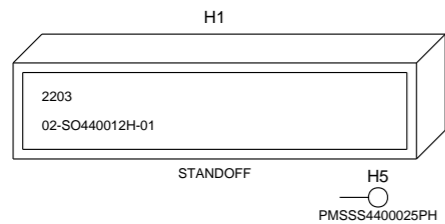
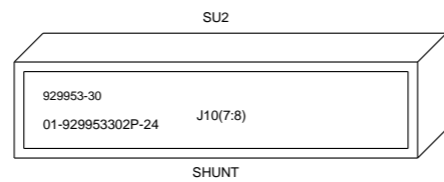
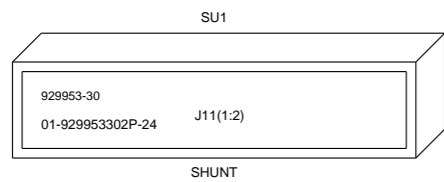


# MECHANICAL

## STAND OFFS

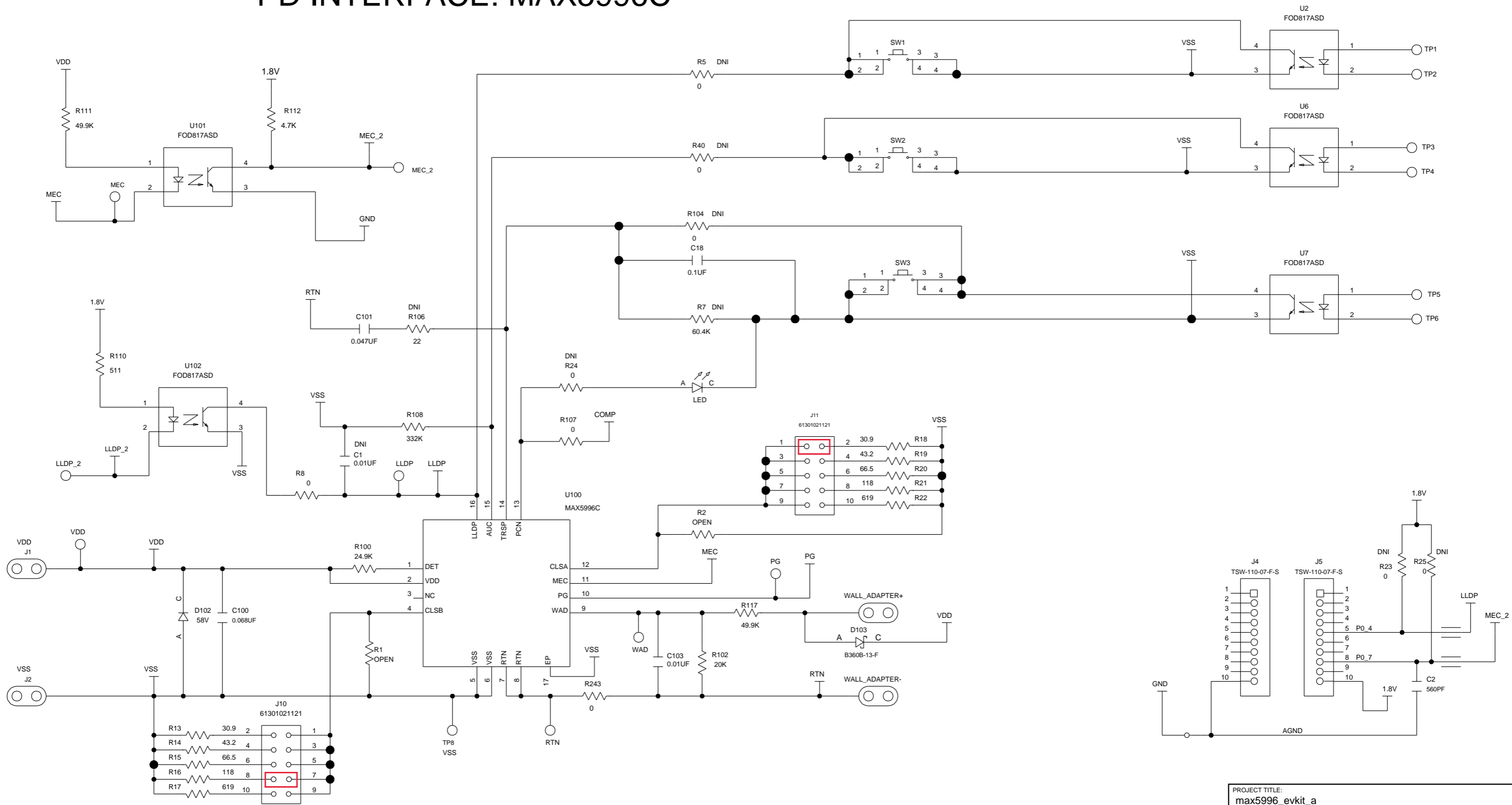


## SHUNTS

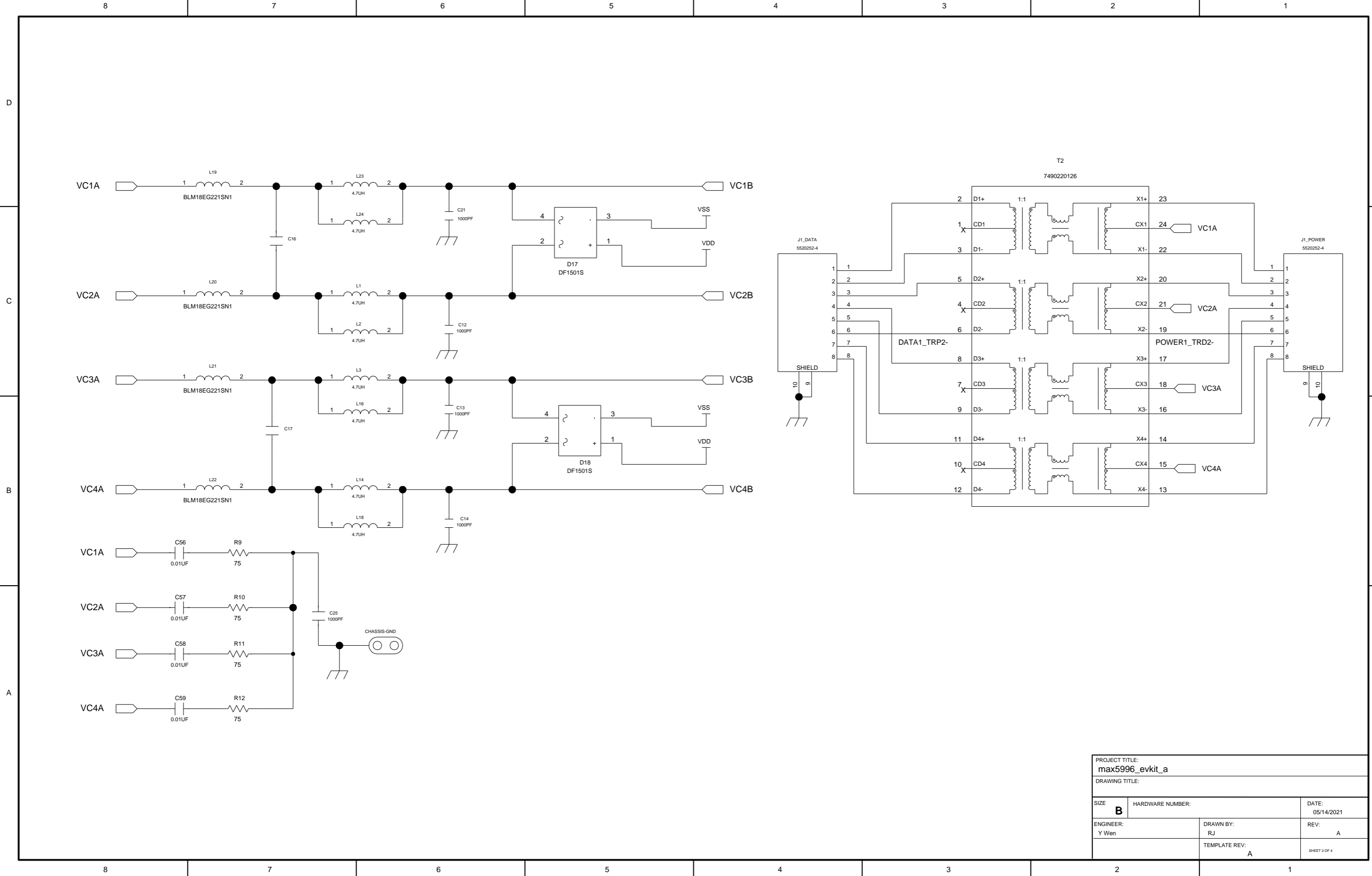


PROJECT TITLE: max5996_evkit_a		
DRAWING TITLE:		
SIZE <b>B</b>	HARDWARE NUMBER:	DATE: 05/14/2021
ENGINEER: Y Wen	DRAWN BY: RJ	REV: A
	TEMPLATE REV: A	SHEET 1 OF 4

# PD INTERFACE: MAX5996C

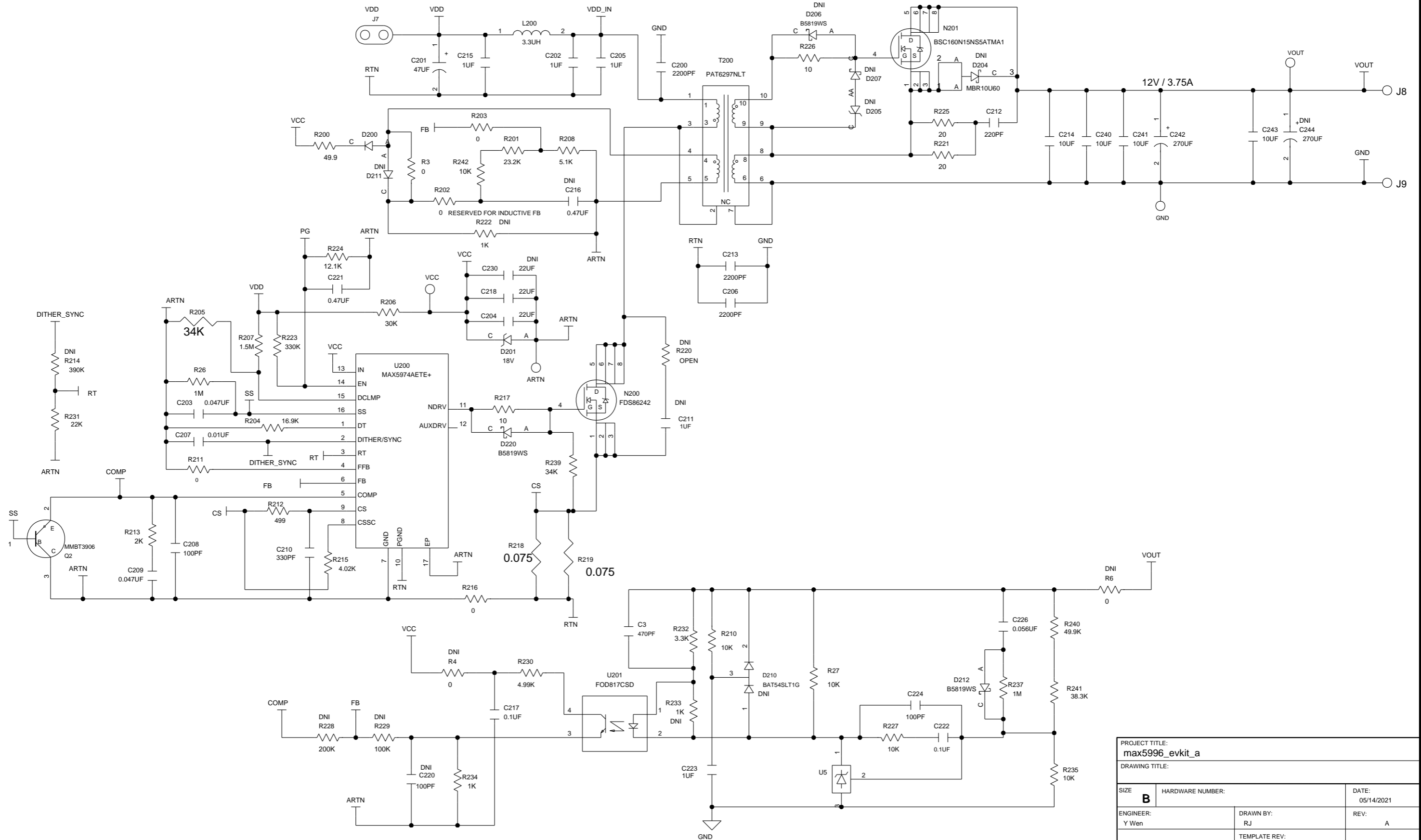


PROJECT TITLE: max5996_evkit_a		
DRAWING TITLE:		
SIZE <b>B</b>	HARDWARE NUMBER:	DATE: 05/14/2021
ENGINEER: Y Wen	DRAWN BY: RJ	REV: A
TEMPLATE REV: A		SHEET 2 OF 4



PROJECT TITLE: max5996_evkit_a		
DRAWING TITLE:		
SIZE <b>B</b>	HARDWARE NUMBER:	DATE: 05/14/2021
ENGINEER: Y Wen	DRAWN BY: RJ	REV: A
TEMPLATE REV: A		SHEET 3 OF 4

# FLYBACK: MAX5974A



PROJECT TITLE: max5996_evkit_a		
DRAWING TITLE:		
SIZE <b>B</b>	HARDWARE NUMBER:	DATE: 05/14/2021
ENGINEER: Y Wen	DRAWN BY: RJ	REV: A
TEMPLATE REV: A		SHEET 4 OF 4