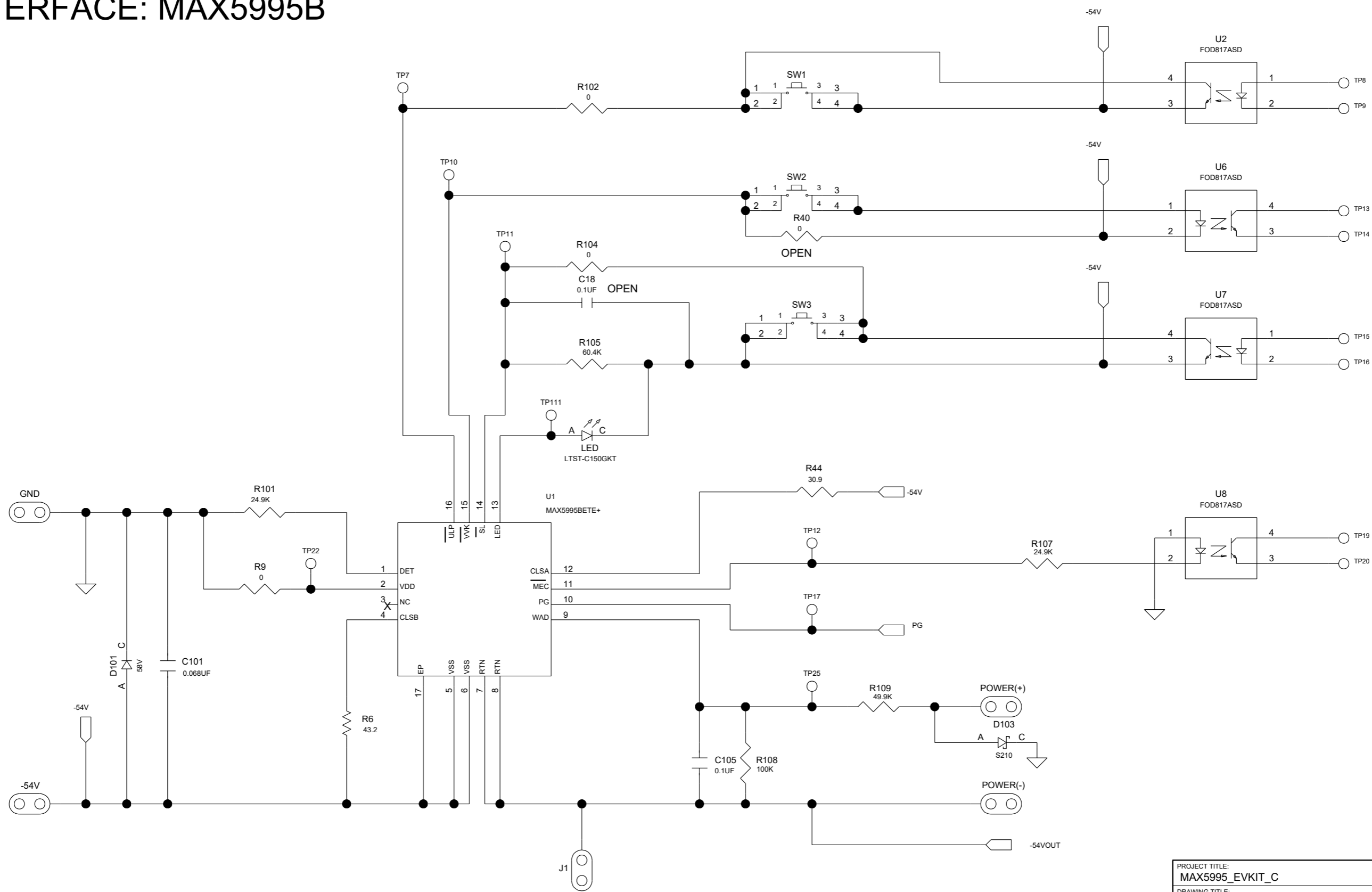


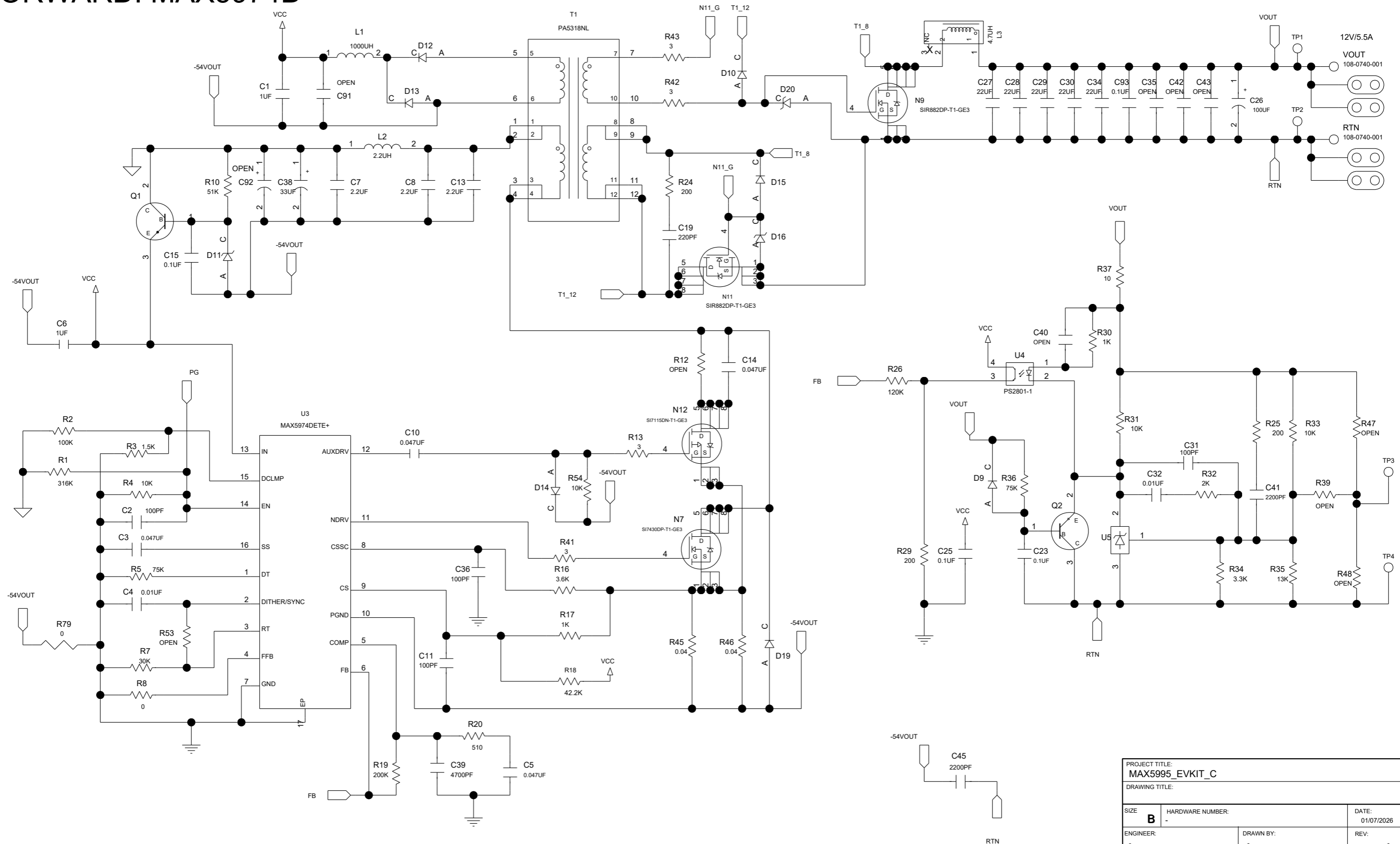
PROJECT TITLE: MAX5995_EVKIT_C		
DRAWING TITLE:		
SIZE B	HARDWARE NUMBER: -	DATE: 01/07/2026
ENGINEER: -	DRAWN BY: -	REV: -
TEMPLATE REV: A		SHEET 1 OF 3

PD INTERFACE: MAX5995B



PROJECT TITLE: MAX5995_EVKIT_C		
DRAWING TITLE:		
SIZE B	HARDWARE NUMBER: -	DATE: 01/07/2026
ENGINEER: -	DRAWN BY: -	REV: -
TEMPLATE REV: A		SHEET 2 OF 3

FORWARD: MAX5974D



PROJECT TITLE: MAX5995_EVKIT_C		
DRAWING TITLE:		
SIZE B	HARDWARE NUMBER: -	DATE: 01/07/2026
ENGINEER:	DRAWN BY:	REV:
	TEMPLATE REV: A	SHEET 3 OF 3