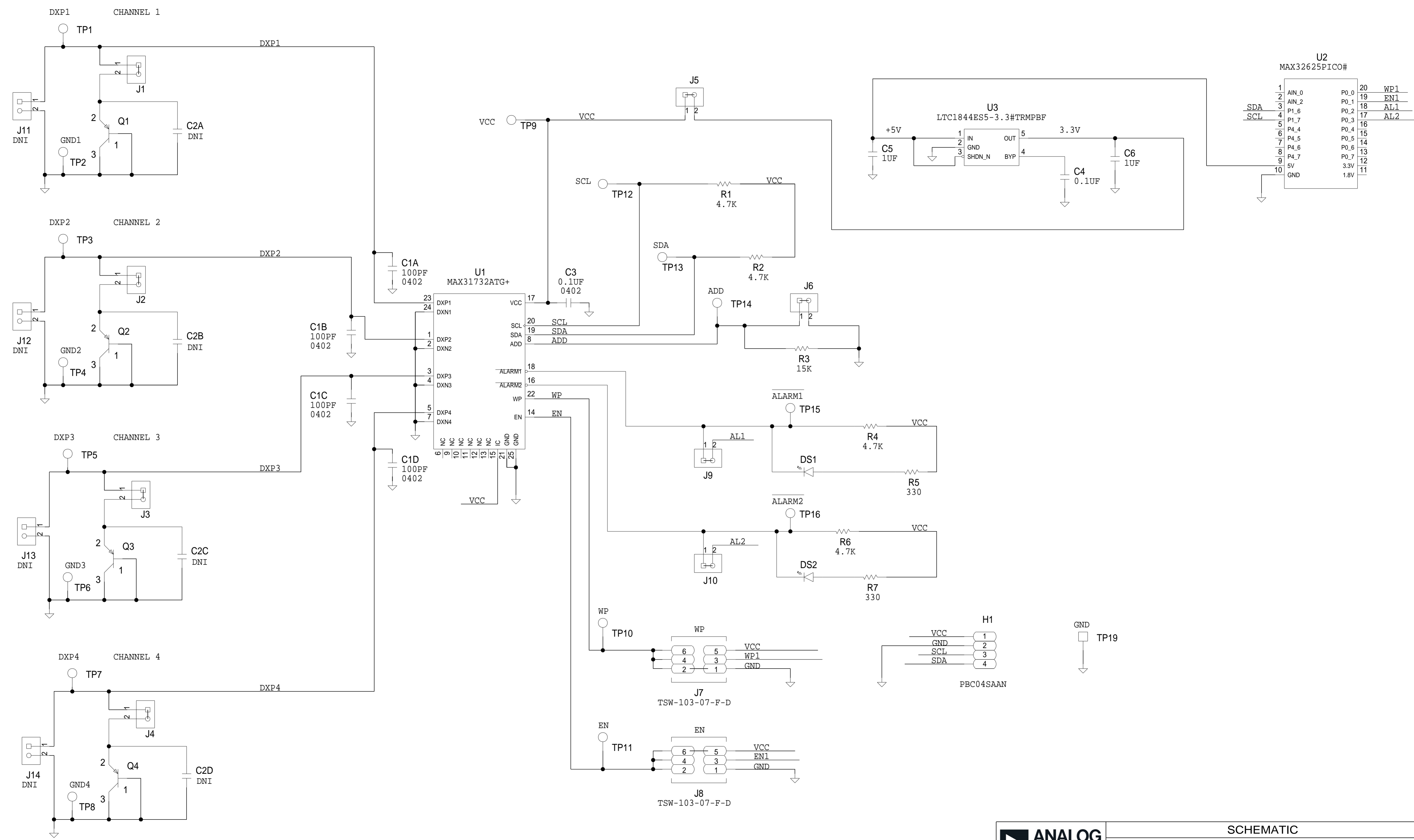


REVISIONS			
REV	DESCRIPTION	DATE	APPROVED
C	ECR-119732	06MAR24	



U2
MAX32625PICO#

1	AIN_0	P0_0	20	WP1
2	AIN_2	P0_1	19	EN1
3	P1_6	P0_2	18	AL1
4	P1_7	P0_3	17	AL2
5	P4_4	P0_4	16	
6	P4_5	P0_5	15	
7	P4_6	P0_6	14	
8	P4_7	P0_7	13	
9	5V	P0_7	12	
10	GND	3.3V	11	
		1.8V		

NOTES: UNLESS OTHERWISE SPECIFIED
 1. ALL RESISTORS ARE 0805
 2. ALL CAPACITORS ARE 0805

	SCHEMATIC		
	HW TYPE : Customer Evaluation Product(s): MAX31732 MAX31732EVKIT# 4-CHANNEL REMOTE TEMPERATURE SENSOR		
DESIGN VIEW <DESIGN_VIEW>	DRAWING NO. 02_074181	REV C	
PTD ENGINEER -	SIZE D	SCALE 1:1	SHEET 1 OF 1