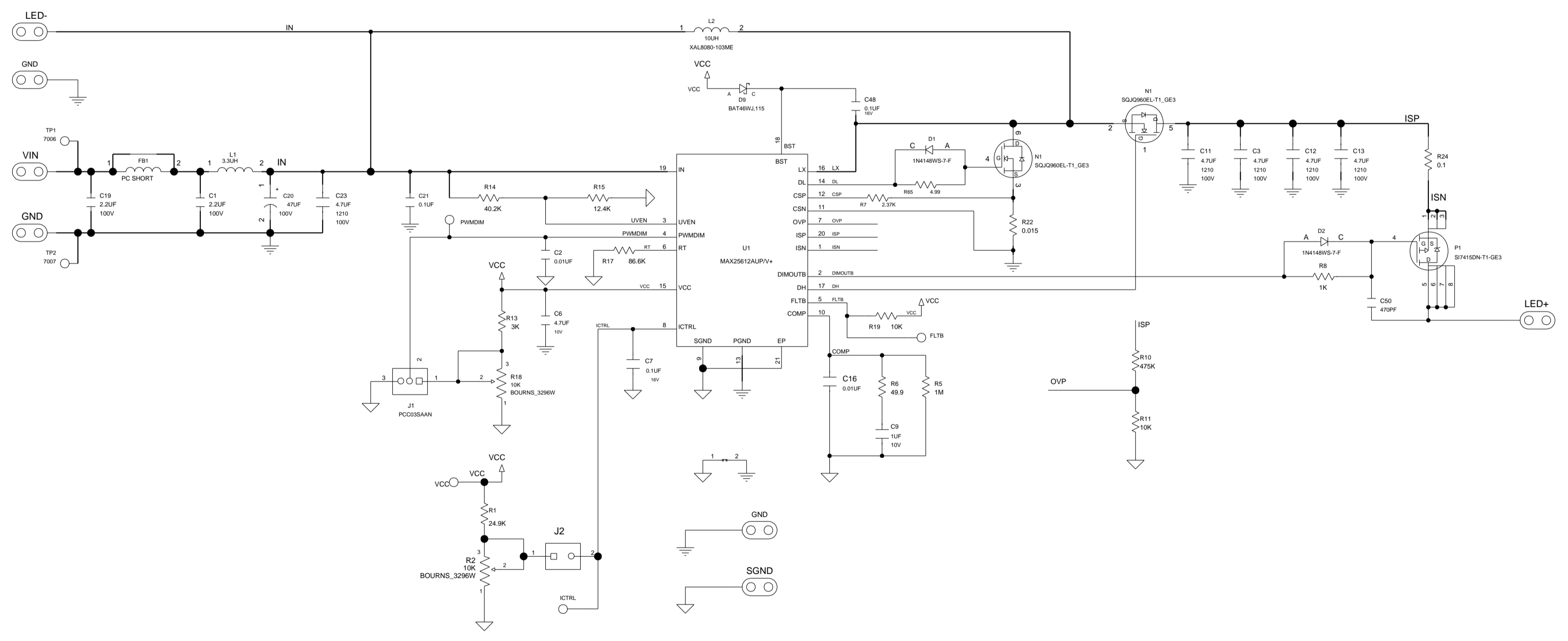


| REVISIONS | | | | |
|-----------|-----|-------------|------|-------|
| ZONE | LTR | DESCRIPTION | DATE | APPR. |
| | | | | |
| | | | | |



THIS DOCUMENT CONTAINS INFORMATION PROPRIETARY TO MAXIM USE OR DISCLOSURE WITHOUT THE WRITTEN PERMISSION OF AN OFFICER OF MAXIM IS EXPRESSLY FORBIDDEN.

| | | |
|---------------------------------|------------------|---------------|
| PROJECT TITLE: MAX25612_EVKIT_B | | |
| DRAWING TITLE: | | |
| SIZE: C | HARDWARE NUMBER: | DATE: 07/2/19 |
| ENGINEER: | DRAWN BY: | REV.: B |
| TEMPLATE REV.: | | SHEET 1 OF 1 |