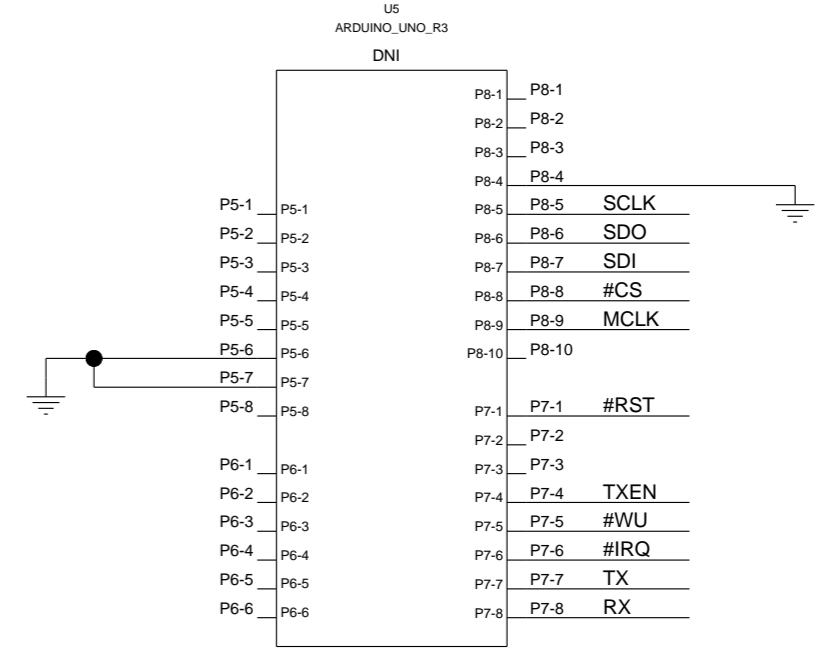
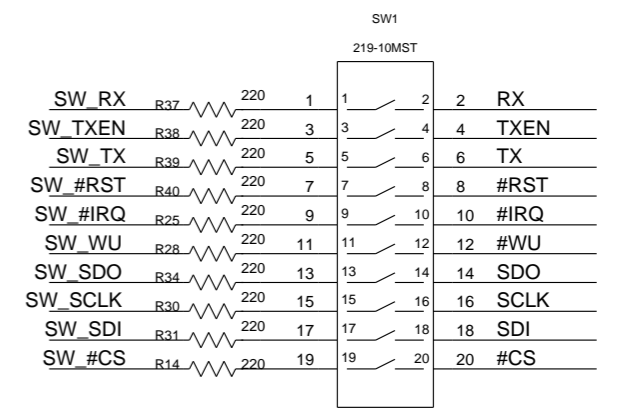


ARDUINO UNO R3 HEADERS

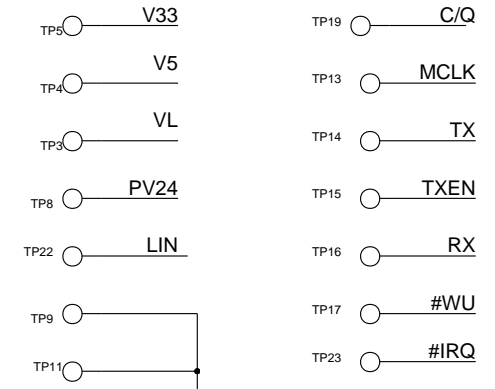
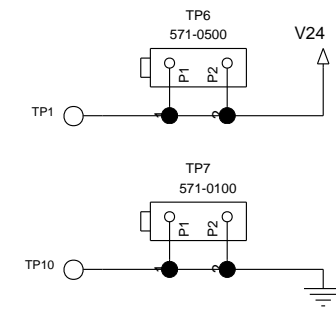


SET ALL SWITCHES TO OFF WHEN USING ARDUINO

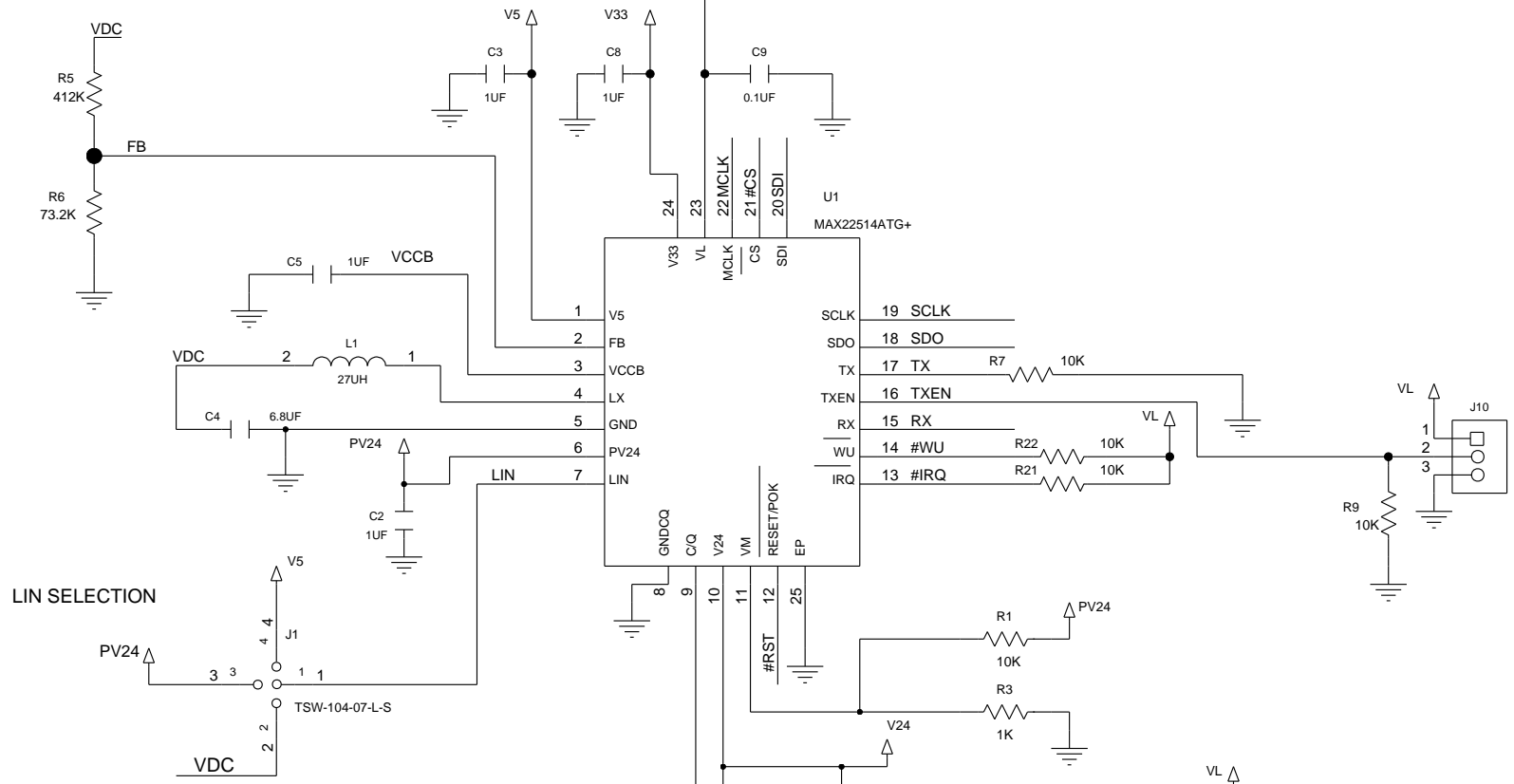
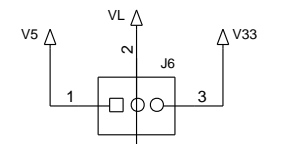


PROJECT TITLE: MAX22514_EVKIT_A		
DRAWING TITLE:		
SIZE B	HARDWARE NUMBER: EPCB22514	DATE: 11/2021
ENGINEER:	DRAWN BY:	REV: A
	TEMPLATE REV: 1.5	SHEET 1 OF 2

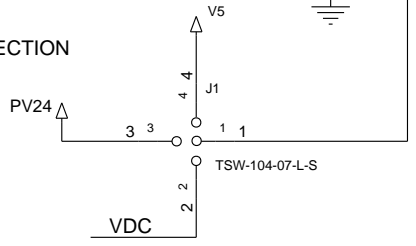
TESTPOINTS



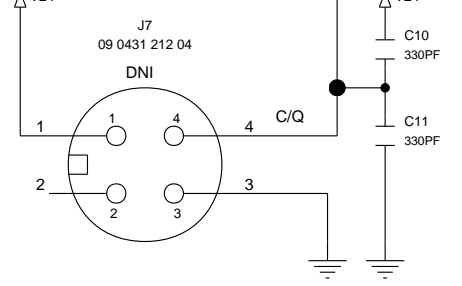
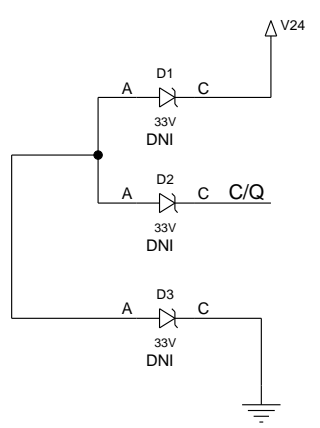
VL SELECTION



LIN SELECTION



HIGH SURGE DIODES (DNI)



TITLE:	MAX22514_EVKIT_A	DATE:	11/2021
ENGINEER:		PAGE:	