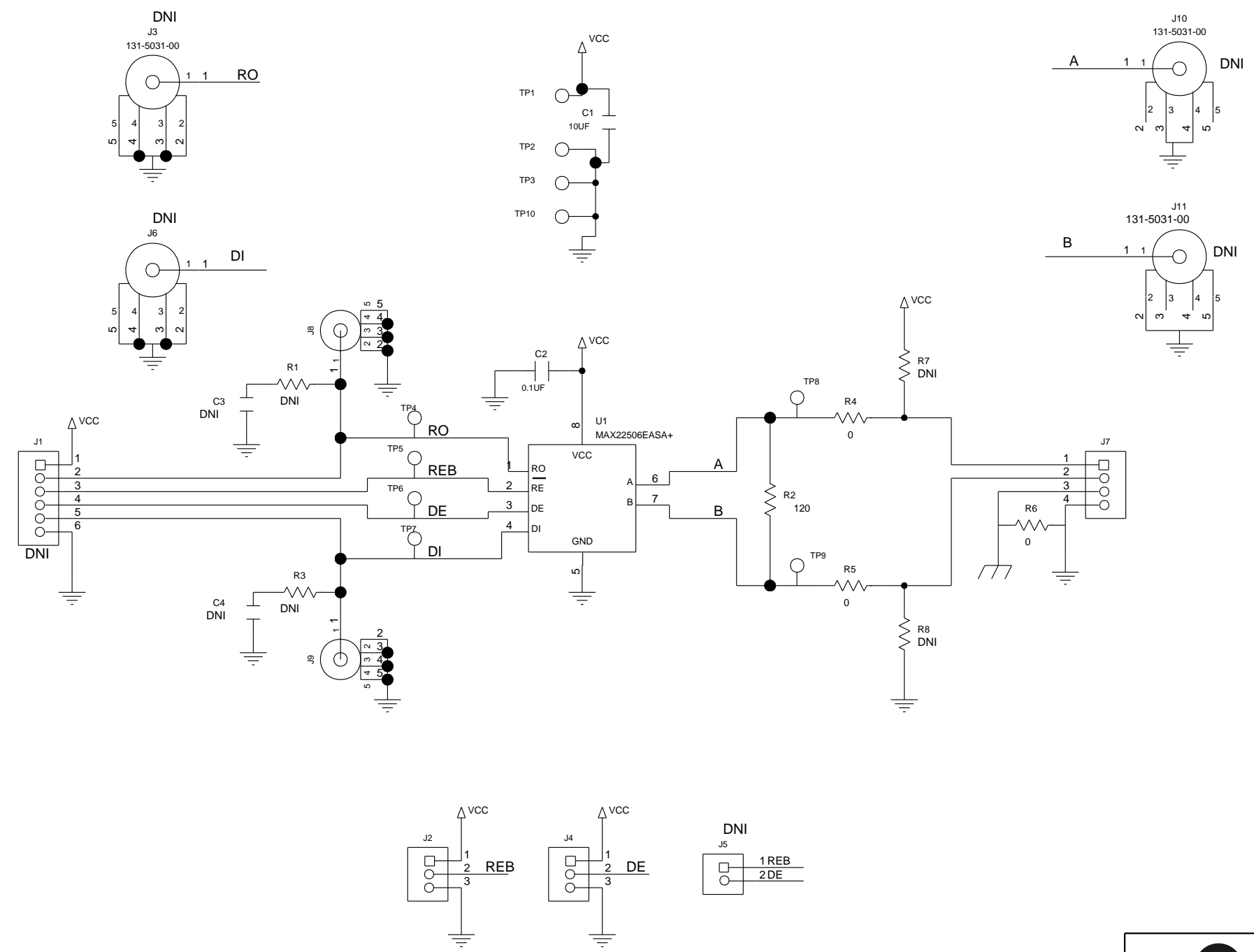


REVISIONS				
ZONE	LTR	DESCRIPTION	DATE	AUTHOR



	PROJECT TITLE: MAX22506E_EVKIT_A		
	DRAWING TITLE:		
THIS DOCUMENT CONTAINS INFORMATION PROPRIETARY TO MAXIM USE OR DISCLOSURE PERMISSION OF AN OFFICER OF MAXIM IS IS EXPRESSLY FORBIDDEN.	SIZE: <b>B</b>	HARDWARE NUMBER: _	
	ENGINEER:	DRAWN BY:	DATE: 02/2020
		TEMPLATE REV:	REV: A