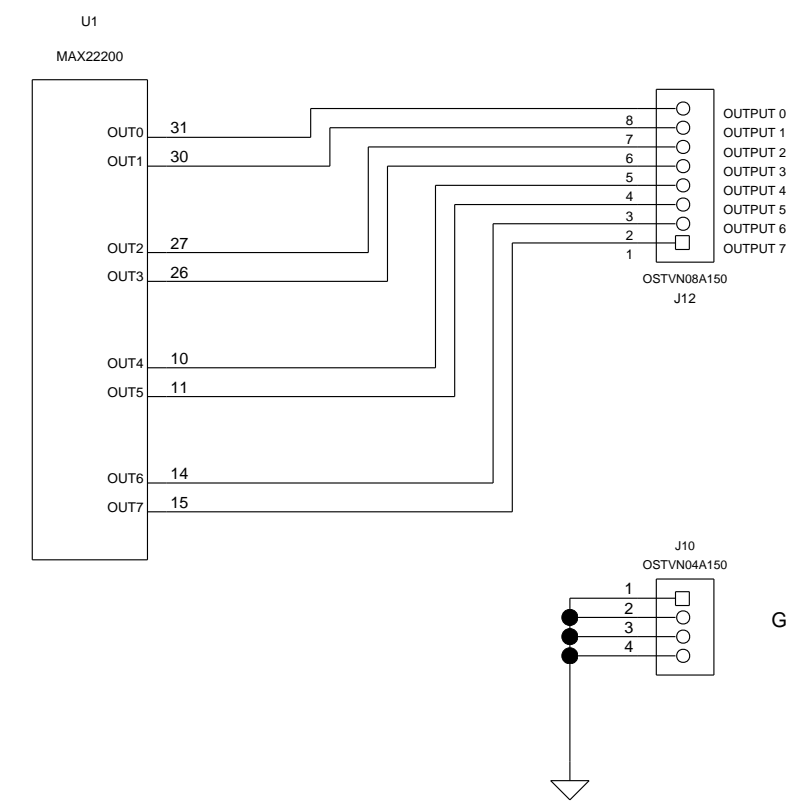
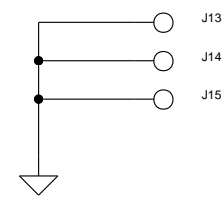
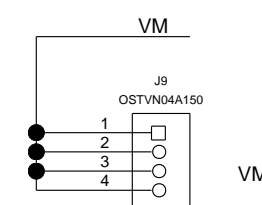
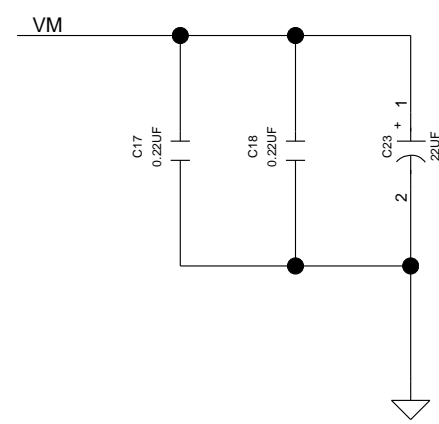
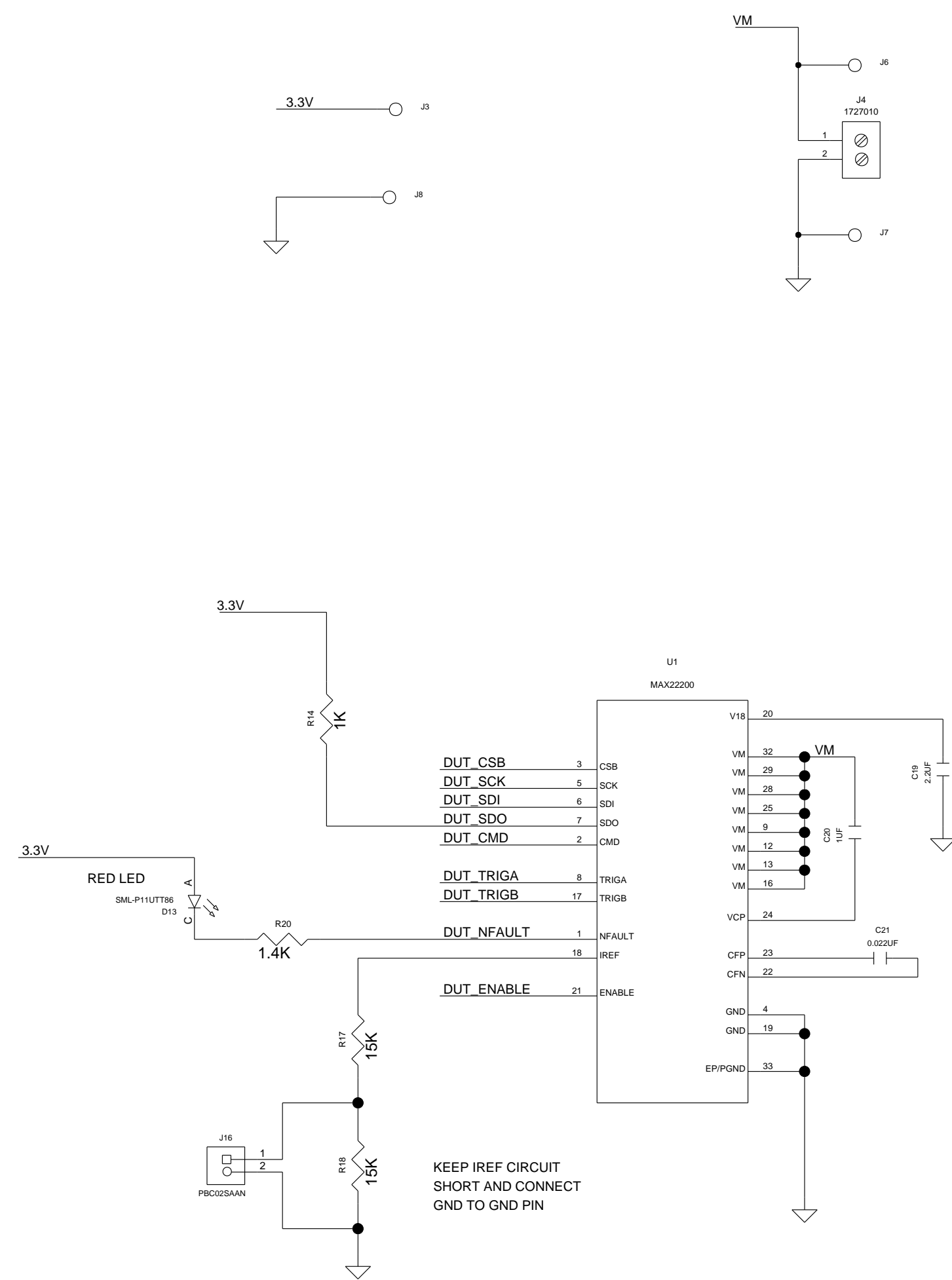
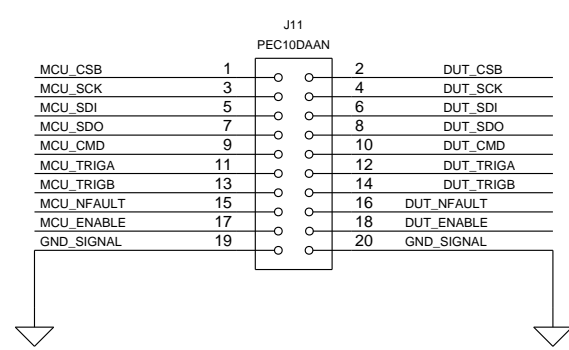


PROJECT TITLE: MAX22200_EVKIT_A		
DRAWING TITLE: MCU		
SIZE: D	HARDWARE NUMBER: -	DATE: 1/7/2019
ENGINEER: -	DRAWN BY: -	REV: A
TEMPLATE REV: 1		SHEET 1 OF 2



PROJECT TITLE: MAX22200_EVKIT_A		
DRAWING TITLE: MAX22200		
SIZE: D	HARDWARE NUMBER: -	DATE: 1/7/2019
ENGINEER: -	DRAWN BY: -	REV: A
TEMPLATE REV: 1		SHEET 2 OF 2