

8

7

6

5

4

3

2

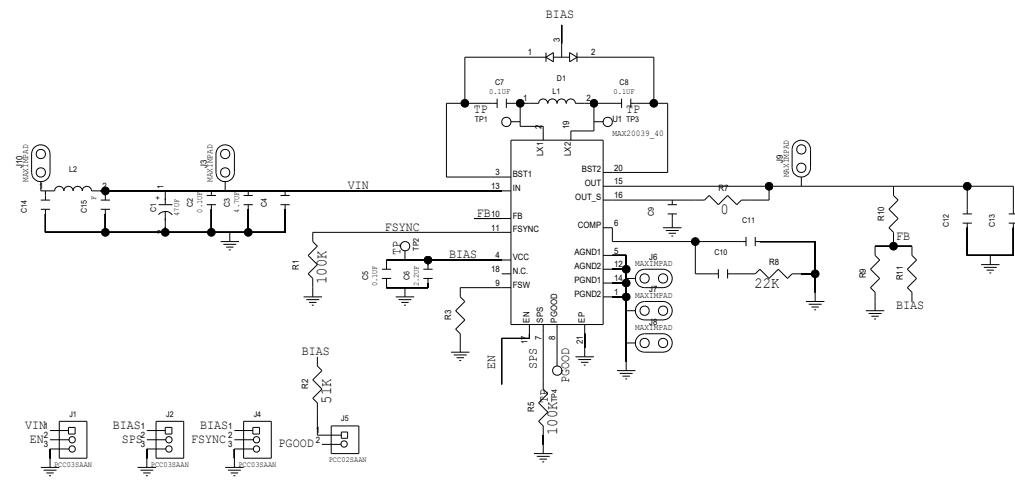
1

D

C

B

A



PROJECT TITLE: -		
DRAWING TITLE: PAGE TITLE		
SIZE D	HARDWARE NUMBER: <HARDWARE_NUMBER>	DATE: xx/xx/xxxx
ENGINEER: Engr NAME	DRAWN BY: PCB DESIGNER	REV: P1
	TEMPLATE REV: -	SHEET 1 OF 1

8

7

6

5

4

3

2

1