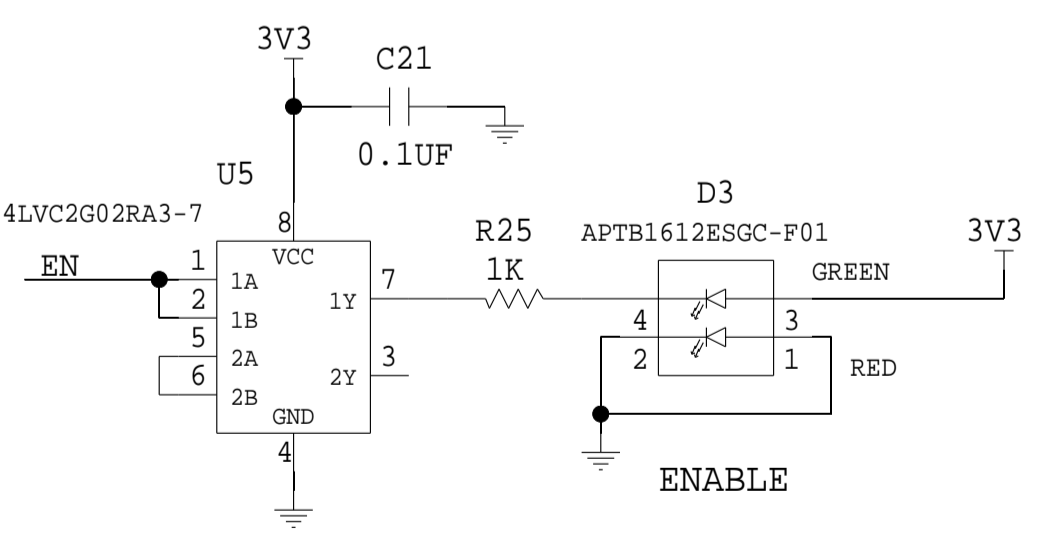
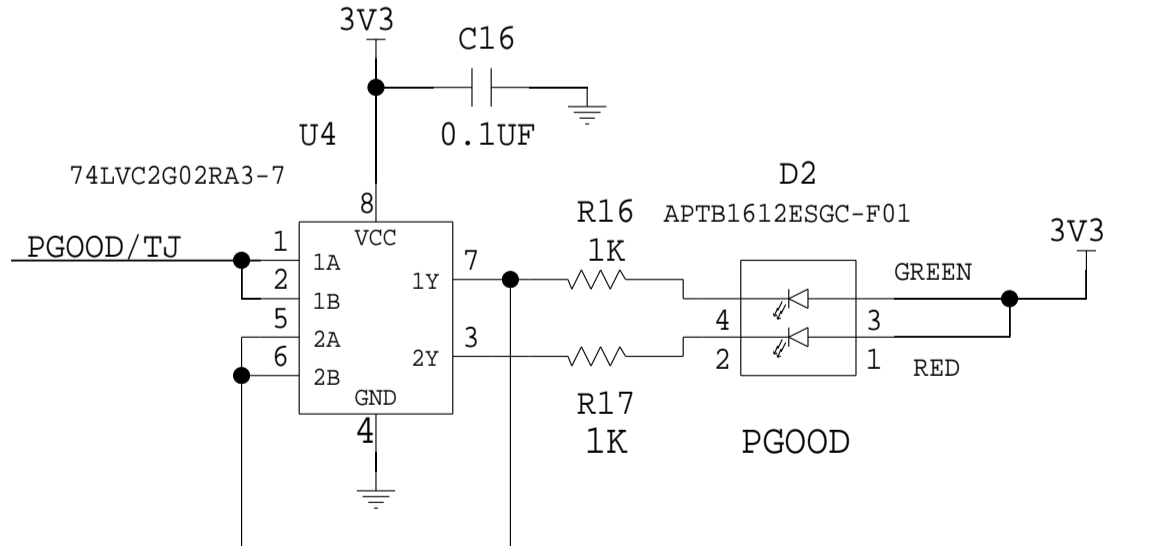
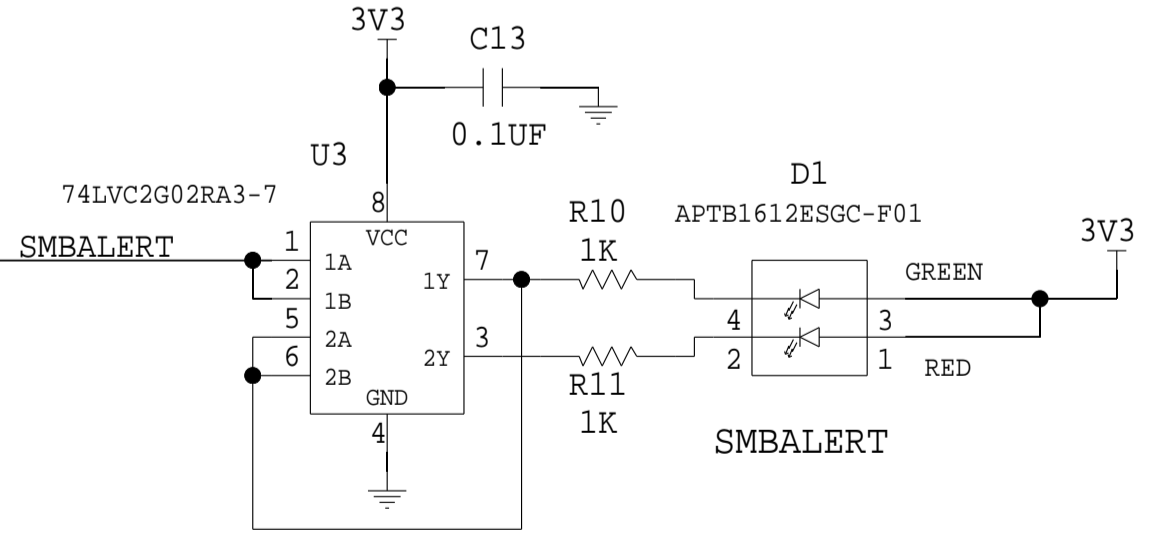
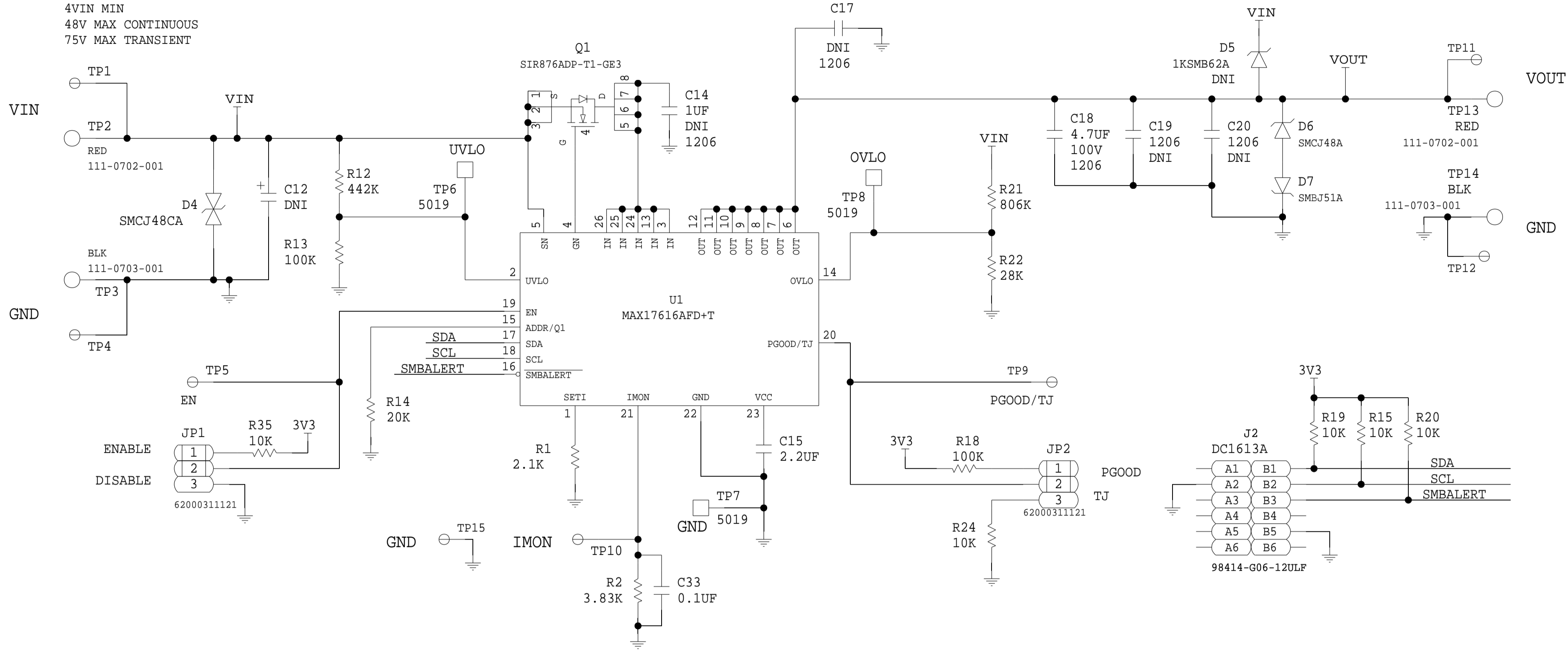


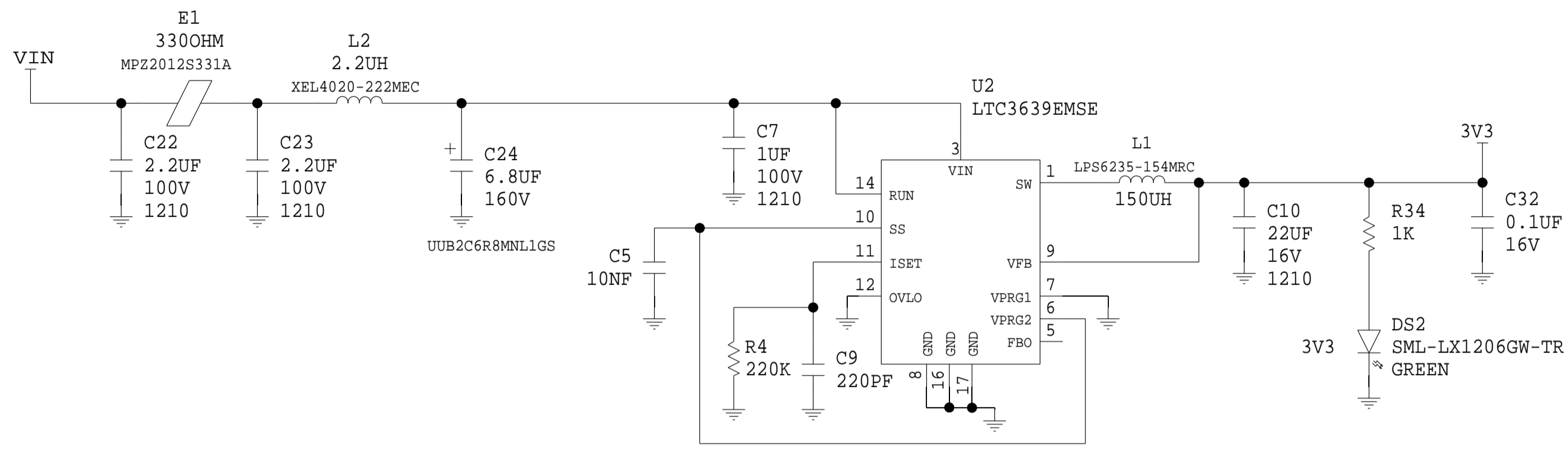
REVISIONS			
REV	DESCRIPTION	DATE	APPROVED
B	ECR-114288	20MAY24	X
C	ECR-121307	20JUN24	X



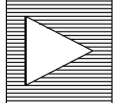
NOTES: UNLESS OTHERWISE SPECIFIED
 -ALL RESISTORS ARE 0603.
 -ALL CAPACITORS ARE 0603.

	SCHEMATIC		
	HW TYPE : Customer Evaluation MAX17616EVKIT#		
	Product(s): MAX17616 80V, 7A POWER LIMITER WITH REVERSE POLARITY, LOSS OF GND PROTECTION AND PMBUS INTERFACE		
	DESIGN VIEW <DESIGN_VIEW>	DRAWING NO. 02_073747	REV C
PTD ENGINEER -	SIZE C	SCALE 1:1	SHEET 1 OF 2

REVISIONS			
REV	DESCRIPTION	DATE	APPROVED



NOTES: UNLESS OTHERWISE SPECIFIED
 -ALL RESISTORS ARE 0603.
 -ALL CAPACITORS ARE 0603.

 <p>ANALOG DEVICES</p> <p><small>THIS DRAWING IS THE PROPERTY OF ANALOG DEVICES INC. IT IS NOT TO BE REPRODUCED OR COPIED, IN WHOLE OR IN PART, OR USED IN FURNISHING INFORMATION TO OTHERS, OR FOR ANY OTHER PURPOSE DETRIMENTAL TO THE INTERESTS OF ANALOG DEVICES. THE EQUIPMENT SHOWN HEREIN MAY BE PROTECTED BY PATENTS OWNED OR CONTROLLED BY OWNED ANALOG DEVICES.</small></p>	SCHEMATIC			
	HW TYPE : Customer Evaluation MAX17616EVKIT#			
	Product(s): MAX17616 80V, 7A POWER LIMITER WITH REVERSE POLARITY, LOSS OF GND PROTECTION AND PMBUS INTERFACE			
	DESIGN VIEW <DESIGN_VIEW>	DRAWING NO. 02_073747		REV C
PTD ENGINEER -	SIZE C	SCALE 1:1	SHEET 2	OF 2