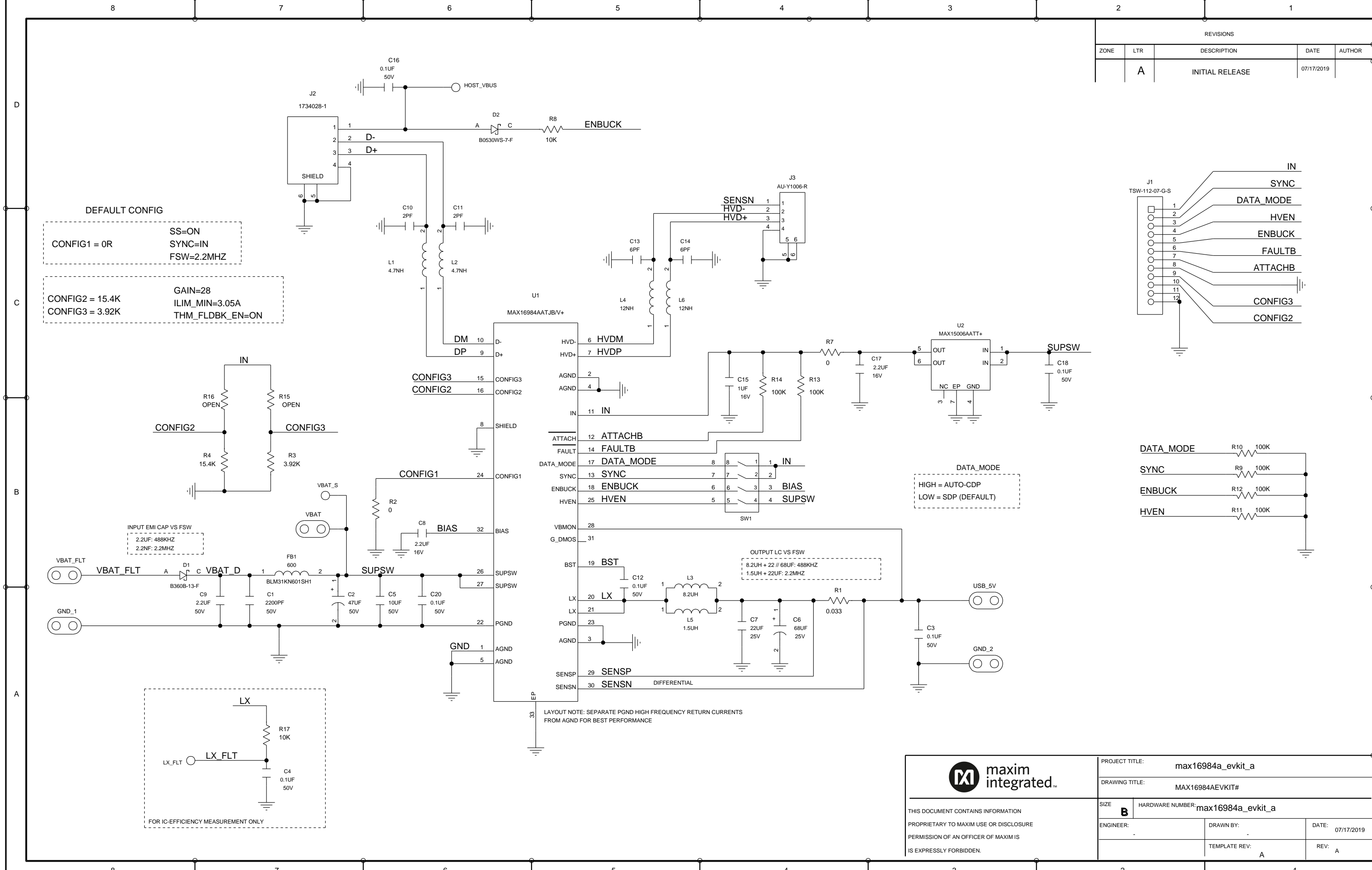


REVISIONS				
ZONE	LTR	DESCRIPTION	DATE	AUTHOR
	A	INITIAL RELEASE	07/17/2019	

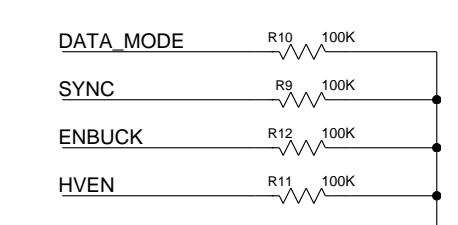
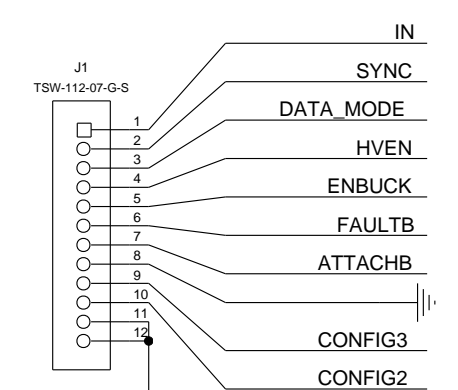


DEFAULT CONFIG

CONFIG1 = 0R SS=ON
 SYNC=IN
 FSW=2.2MHZ

CONFIG2 = 15.4K GAIN=28
 ILIM_MIN=3.05A
 THM_FLDBK_EN=ON

CONFIG3 = 3.92K



DATA_MODE

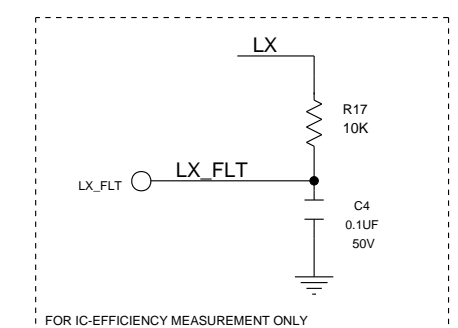
HIGH = AUTO-CDP
 LOW = SDP (DEFAULT)

INPUT EMI CAP VS FSW

2.2UF: 488KHZ
 2.2NF: 2.2MHZ

OUTPUT LC VS FSW

8.2UH + 22 // 68UF: 488KHZ
 1.5UH + 22UF: 2.2MHZ



LAYOUT NOTE: SEPARATE PGND HIGH FREQUENCY RETURN CURRENTS FROM AGND FOR BEST PERFORMANCE

maxim integrated

THIS DOCUMENT CONTAINS INFORMATION PROPRIETARY TO MAXIM USE OR DISCLOSURE PERMISSION OF AN OFFICER OF MAXIM IS EXPRESSLY FORBIDDEN.

PROJECT TITLE: max16984a_evkit_a	
DRAWING TITLE: MAX16984AEVKIT#	
SIZE: B	HARDWARE NUMBER: max16984a_evkit_a
ENGINEER:	DRAWN BY: DATE: 07/17/2019
	TEMPLATE REV: A REV: A

MECHANICAL

D

C

B

A

D

C

B

A

8

7

6

5

4

3

2

1

8

7

6

5

4

3

2

1

PROJECT TITLE: max16984a_evkit_a		
DRAWING TITLE:		
SIZE B	HARDWARE NUMBER: max16984a_evkit_a	DATE: 07/17/2019
ENGINEER: -	DRAWN BY: -	REV: A
	TEMPLATE REV: A	SHEET 2 OF 2