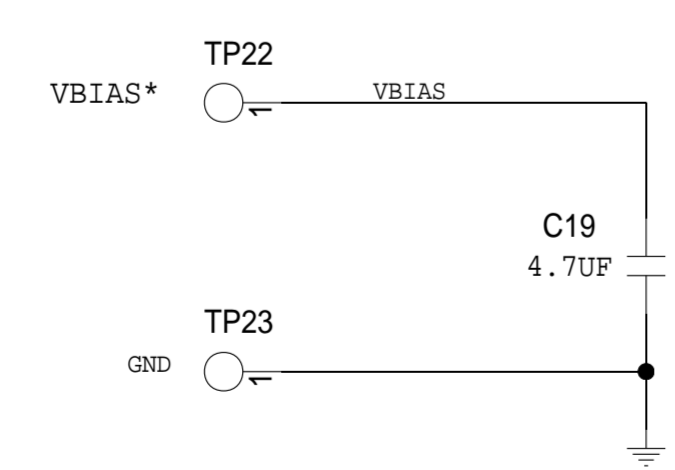
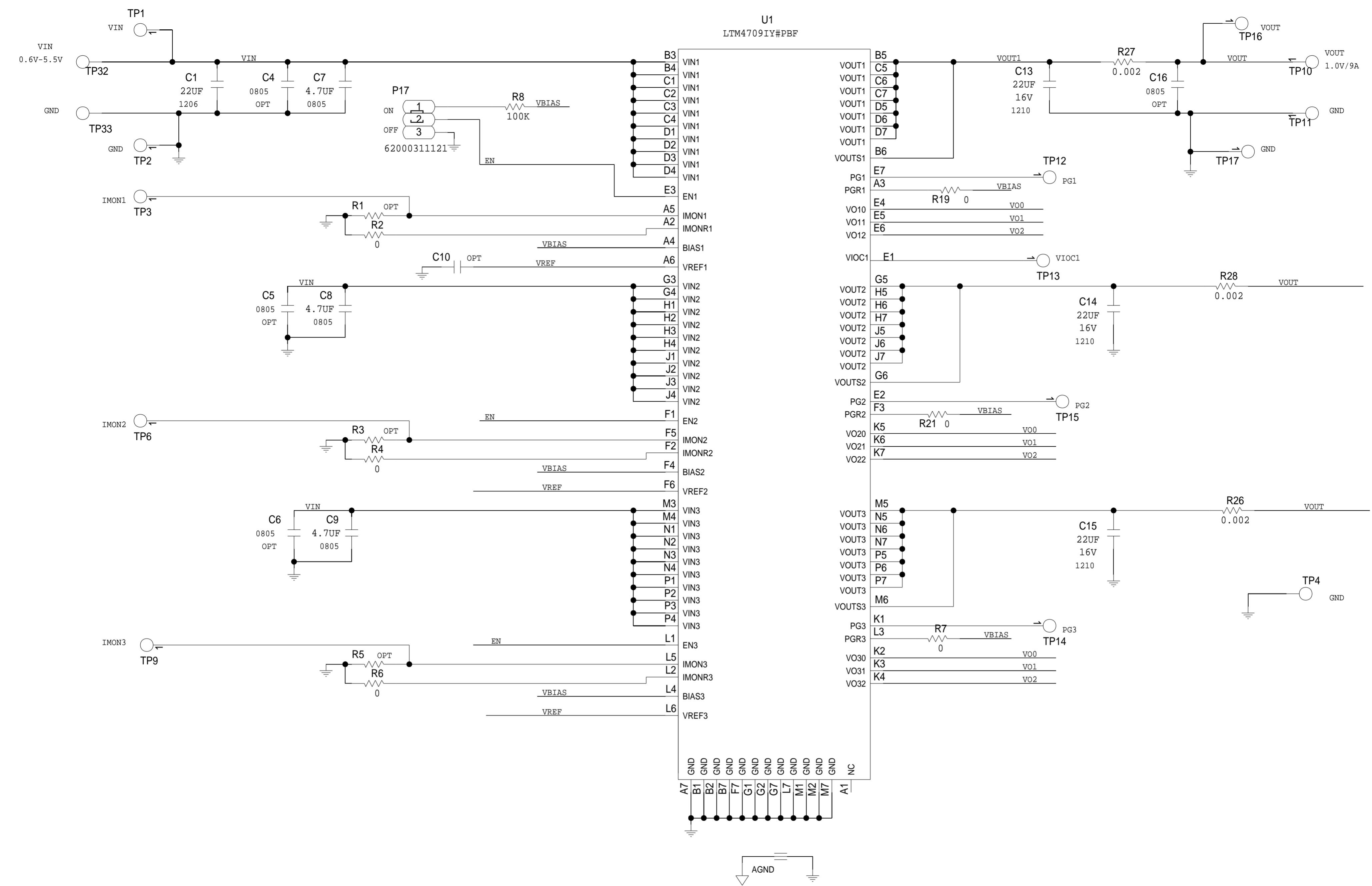
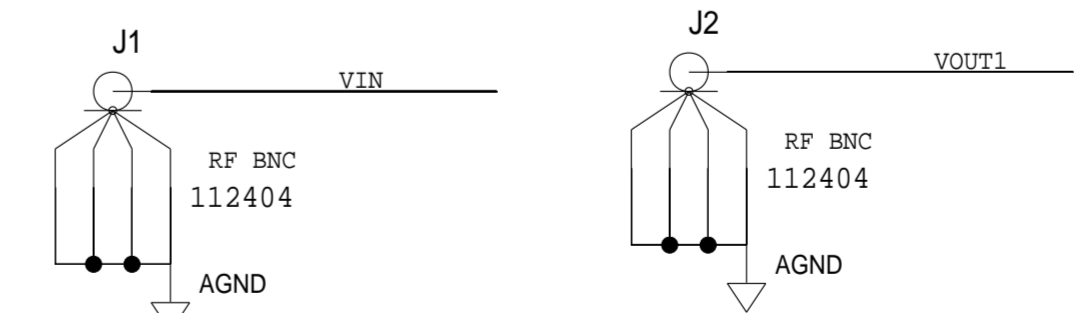
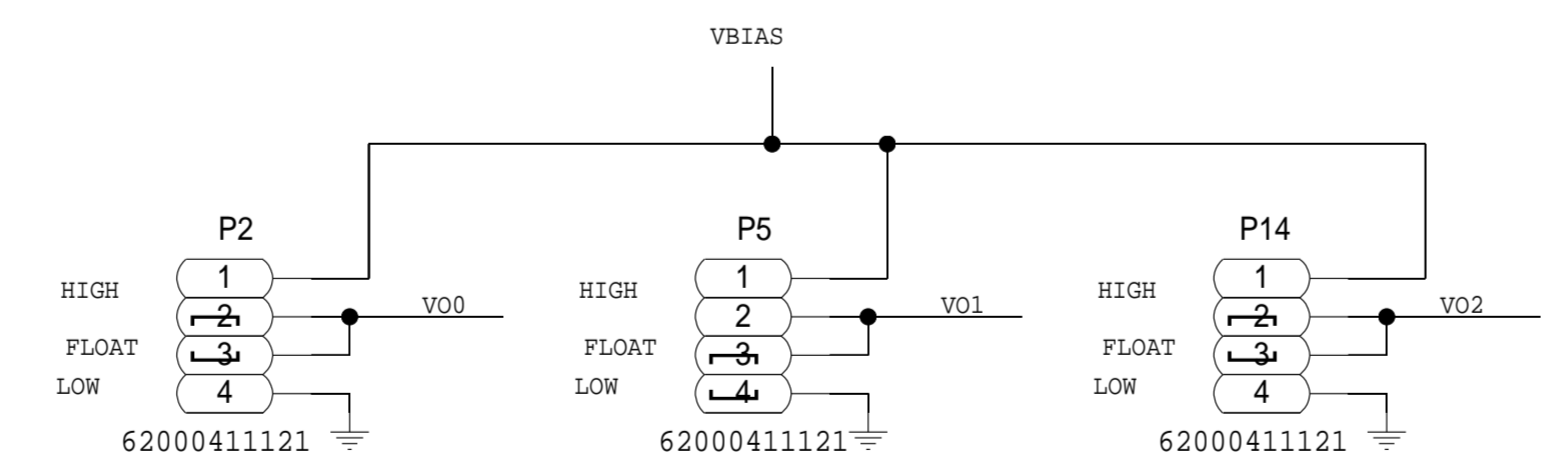


REVISIONS			
REV	DESCRIPTION	DATE	APPROVED



* SEE DEMO MANUAL FOR VBIAS RANGE



	SCHEMATIC		
	HW TYPE : Customer Evaluation Product(s) : LTM4709 : EVAL-LTM4709		
DESIGN VIEW <DESIGN_VIEW>	DRAWING NO. 02_068340	REV B	
PTD ENGINEER -	SIZE D	SCALE 1:1	SHEET 2 OF 2

THIS DRAWING IS THE PROPERTY OF ANALOG DEVICES INC. IT IS NOT TO BE REPRODUCED OR COPIED, IN WHOLE OR IN PART, OR USED IN ANY MANNER WITHOUT THE WRITTEN PERMISSION OF ANALOG DEVICES. THE EQUIPMENT SHOWN HEREIN MAY BE PROTECTED BY PATENTS OWNED OR CONTROLLED BY ANALOG DEVICES.