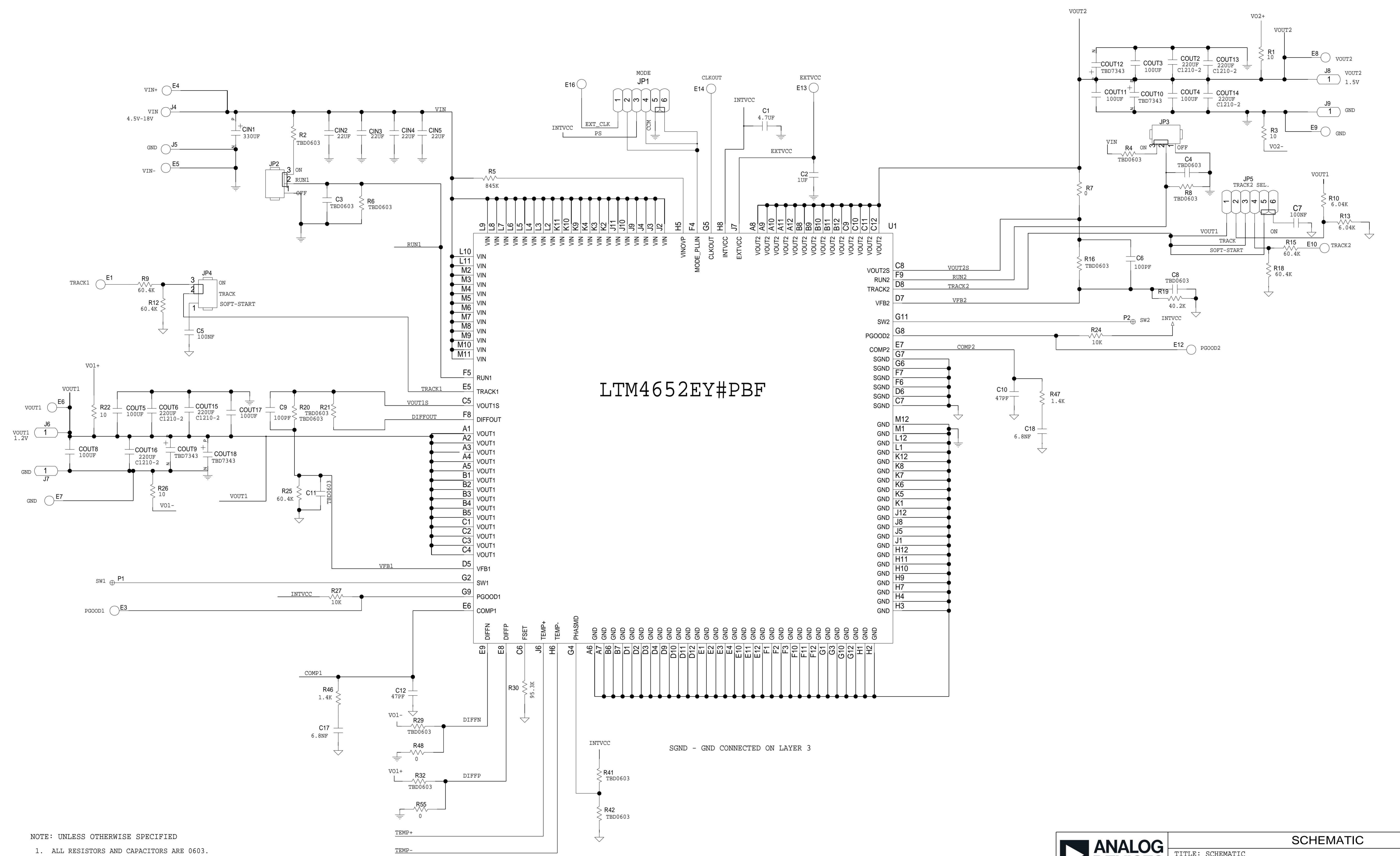


REVISIONS			
REV	DESCRIPTION	DATE	APPROVED
B	PROTOTYPE	03/19/24	WESLEY.B

# LTM4652EY#PBF



NOTE: UNLESS OTHERWISE SPECIFIED  
 1. ALL RESISTORS AND CAPACITORS ARE 0603.

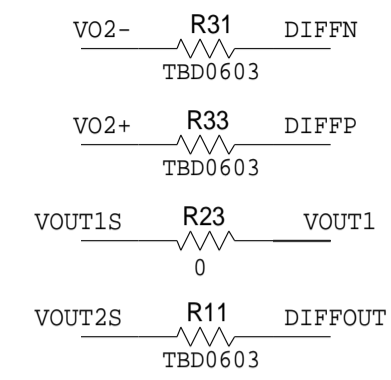
SGND - GND CONNECTED ON LAYER 3

	<b>SCHEMATIC</b> TITLE: SCHEMATIC BIDIRECTIONAL DUAL 25A OR SINGLE 50A DC/DC MODULE REGULATOR		
	DESIGN VIEW <DESIGN_VIEW>	DRAWING NO. EVAL-LTM4652-AZ	REV B
PTD ENGINEER BALLAR, WESLEY	SIZE D	SCALE N/A	SHEET 1 OF 2

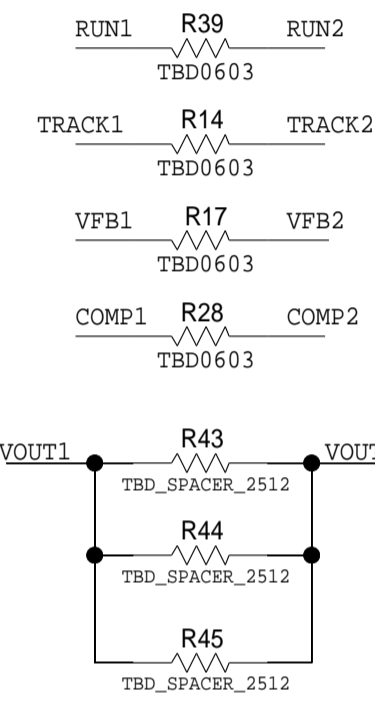
REVISIONS

REV	DESCRIPTION	DATE	APPROVED

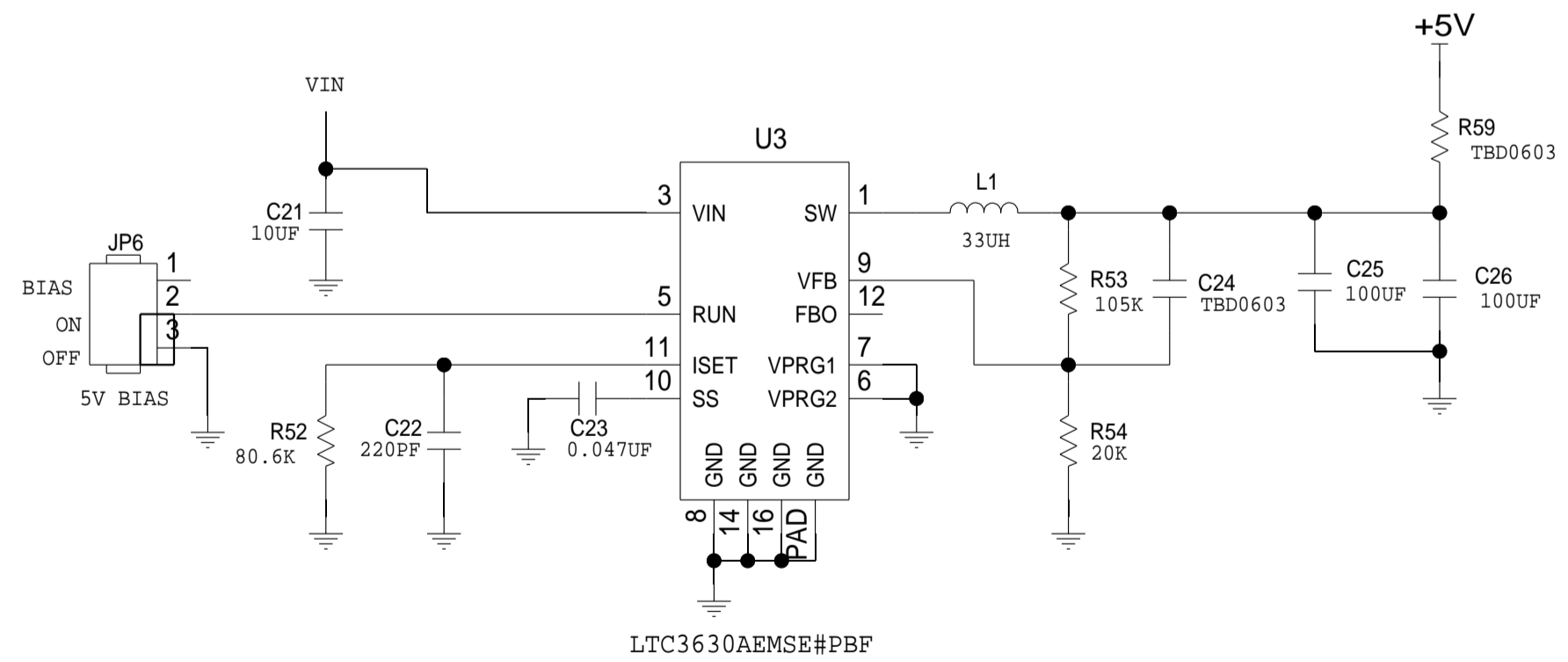
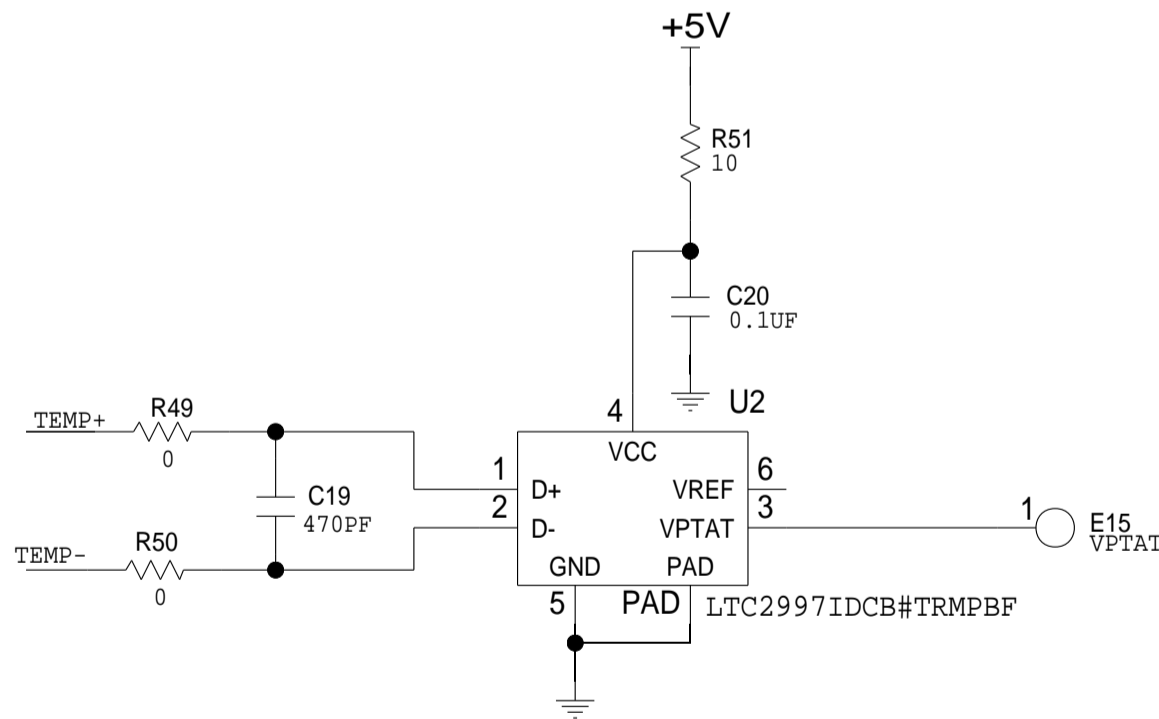
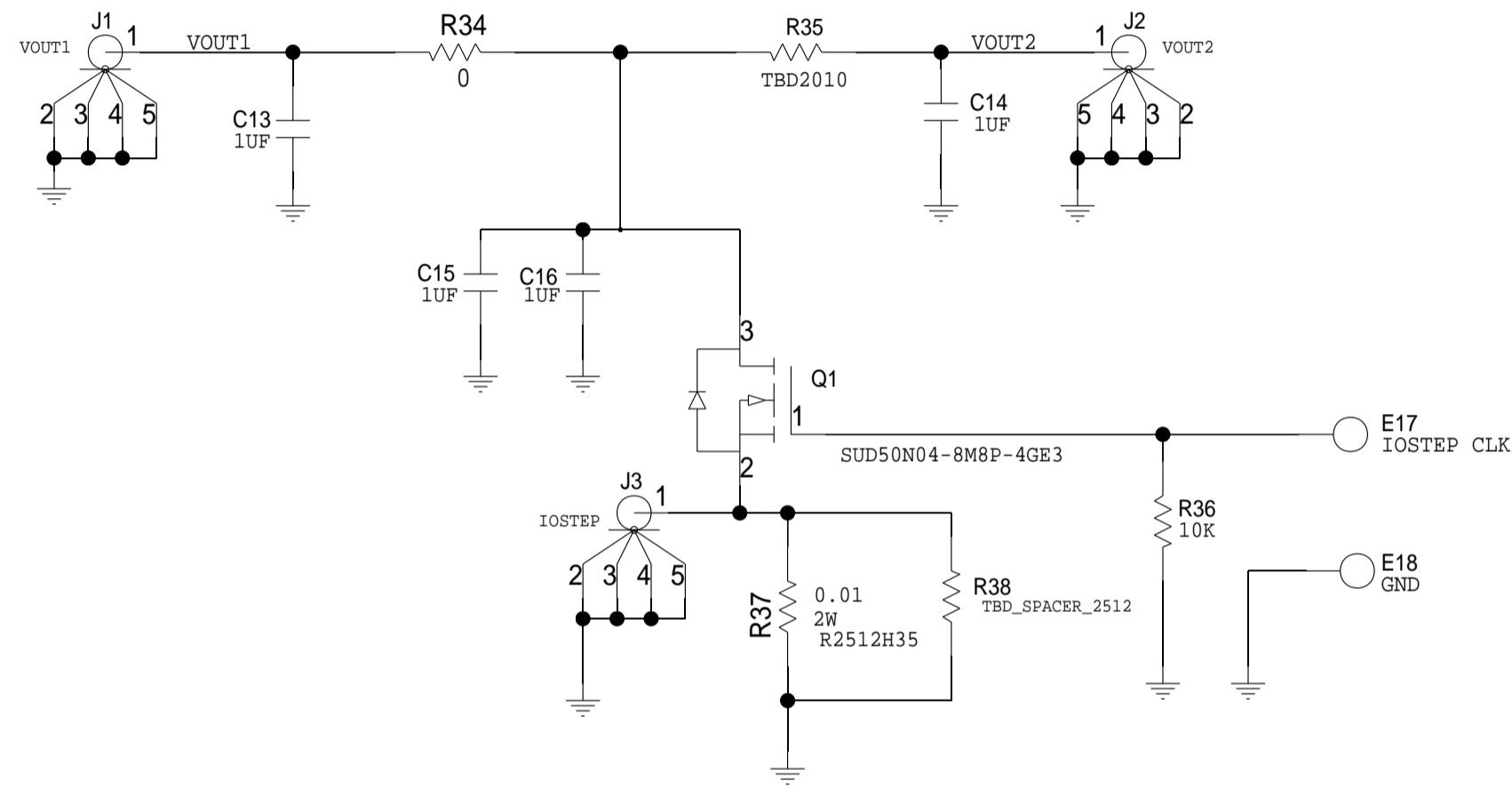
DIFF SENSING SELECTION



OPTIONAL JUMPER FOR SINGLE OUTPUT CONFIGURATION



Load Transient Circuit



THIS DRAWING IS THE PROPERTY OF ANALOG DEVICES INC. IT IS NOT TO BE REPRODUCED OR COPIED, IN WHOLE OR IN PART, OR USED IN FURNISHING INFORMATION TO OTHERS, OR FOR ANY OTHER PURPOSE DETRIMENTAL TO THE INTERESTS OF ANALOG DEVICES. THE EQUIPMENT SHOWN HEREON MAY BE PROTECTED BY PATENTS OWNED OR CONTROLLED BY ANALOG DEVICES.

SCHMATIC

TITLE: SCHEMATIC BIDIRECTIONAL DUAL 25A OR SINGLE 50A DC/DC MODULE REGULATOR			
DESIGN VIEW <DESIGN_VIEW>	DRAWING NO. EVAL-LTM4652-AZ	REV B	
PTD ENGINEER BALLAR, WESLEY	SIZE C	SCALE N/A	SHEET 2 OF 2