


THIS DRAWING IS THE PROPERTY OF ANALOG DEVICES INC. IT IS NOT TO BE REPRODUCED OR COPIED, IN WHOLE OR IN PART, OR USED IN FURNISHING INFORMATION TO OTHERS, OR FOR ANY OTHER PURPOSE DETRIMENTAL TO THE INTERESTS OF ANALOG DEVICES. THE EQUIPMENT SHOWN HEREON MAY BE PROTECTED BY PATENTS OWNED OR CONTROLLED BY ANALOG DEVICES.

REVISIONS			
REV	DESCRIPTION	DATE	APPROVED
A	INITIAL RELEASE	26OCT23	E. HORSMA
B	ECR-121934	25JUL24	E. HORSMA

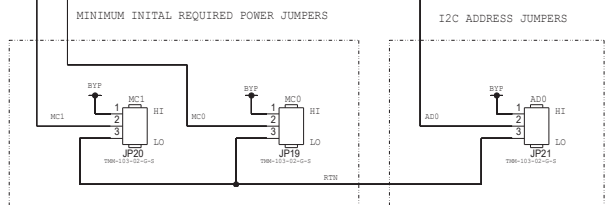
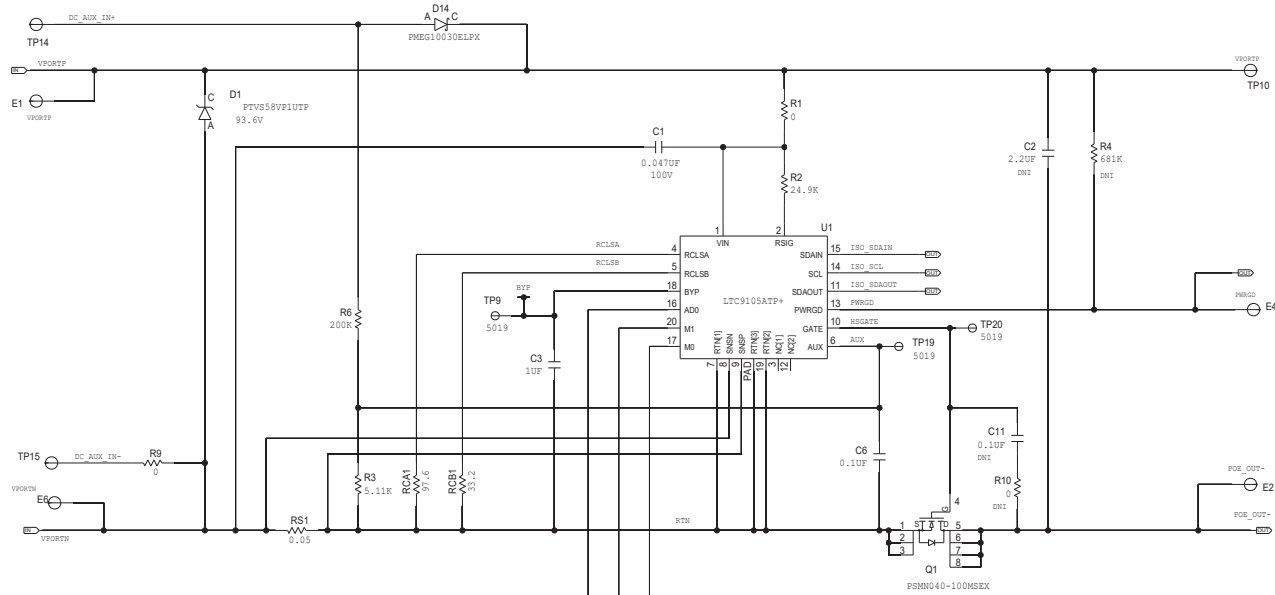
MODEL NAME : EVAL-LTC9105-AZ

TEMPLATE ENGINEER -	DATE	SCHEMATIC		 ADI Power by Linear
HARDWARE SERVICES M. VALE	26OCT23			
HARDWARE SYSTEMS -		HW TYPE : Customer Evaluation Z		
TEST ENGINEER -		Product(s) : LTC9105, MAX5974, LT4321, ADuM1252		
COMPONENT ENGINEER N. CATALAN	26OCT23	PACKAGE : LeadCount-lead BodySize PackageType-family : N/A		
TEST PROCESS -		: Pitch-pitch StyleVendor Style		
HARDWARE RELEASE E. HORSMA	26OCT23	<User Define> <User Define> <User Define>		
DESIGNER E. CORDOVA	26OCT23	MASTER PROJECT TEMPLATE TBD	TESTER TEMPLATE -	DRAWING NO. 02_076220
PTD ENGINEER E. HORSMA	26OCT23	UNLESS OTHERWISE SPECIFIED DIMENSIONS ARE IN INCHES		REV. B
CHECKER -		TOLERANCES		
		DECIMALS XXX +0.010 X.XXX +0.005	FRACTIONS +1/32	ANGLES +2
		SIZE D	SCALE 1:1	CODE ID NO. CodeID
				SHEET 1 OF 5

PD CONTROLLER

REVISIONS				
ZONE	LTR	DESCRIPTION	DATE	APPROVED
A		INITIAL RELEASE	24OCT23	E. HORNSA
B		ECR-121934	25JUL24	E. HORNSA

AUX INPUT
45V - 60V



MINIMUM INITIAL REQUIRED POWER JUMPER SELECTIONS

MIN INITIAL POWER	MARK	JUMPERS
13W	LO	JP20 JP19
23.5W	LO	HI
40W / 51W	HI	LO
62W / 71.3W	HI	HI

ADDRESS JUMPER SELECTIONS

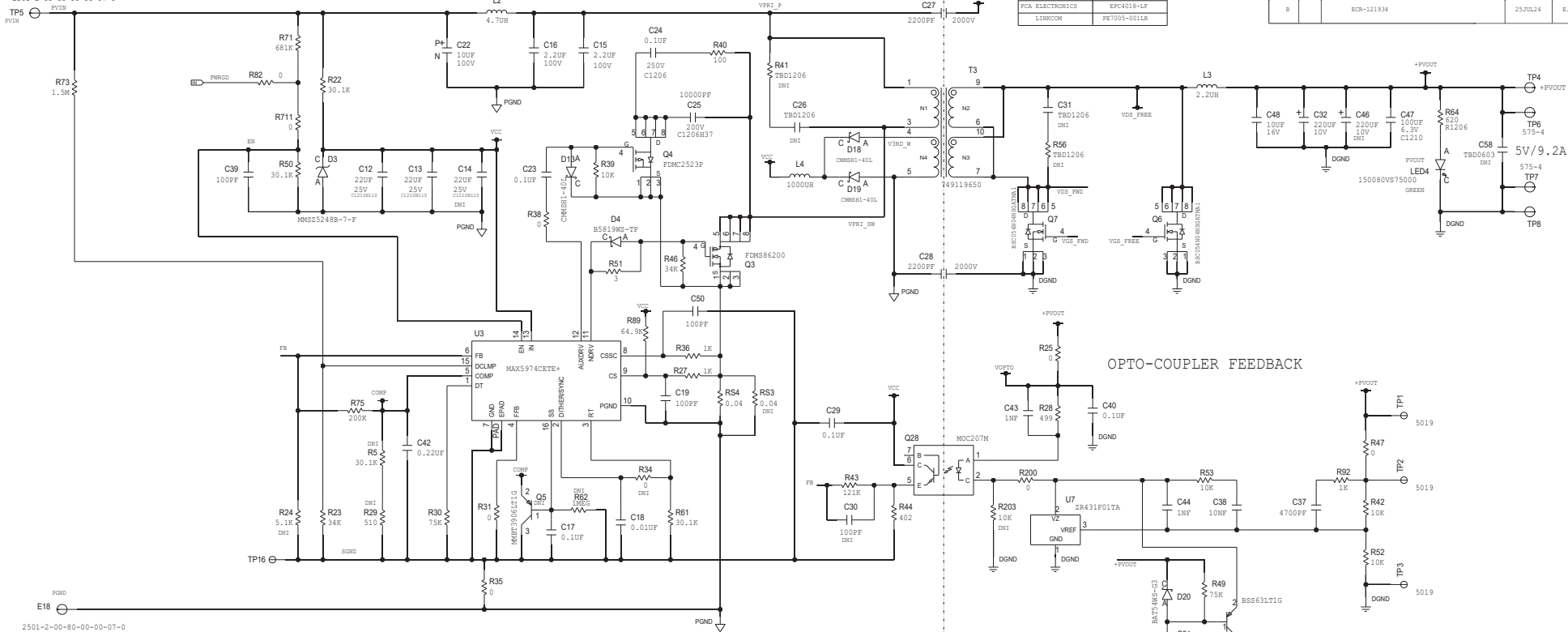
I2C ADDRESS	ADDRESS JUMPERS
0X41	HI
0X40	LO

NOTE: UNLESS OTHERWISE SPECIFIED
 1. ALL RESISTORS AND CAPACITORS ARE 0603
 2. ALL RESISTORS TOLERANCE RATING ARE 1%

CADENCE DESIGN SYSTEMS, INC.		DRAWING TITLE	
CAE		DRAWING NO.	
SIZE D	REV.	SHEET OF	
SCALE			

DC-DC CONTROLLER

2501-2-00-80-00-00-07-0

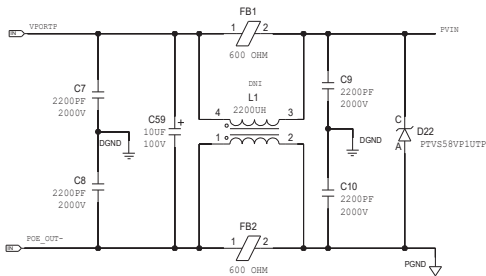


APPROVED T3 ALTERNATIVE

MANUFACTURER	PART NUMBER
PCA ELECTRONICS	EPC4018-LF
LINKCOM	PT6005-001LA

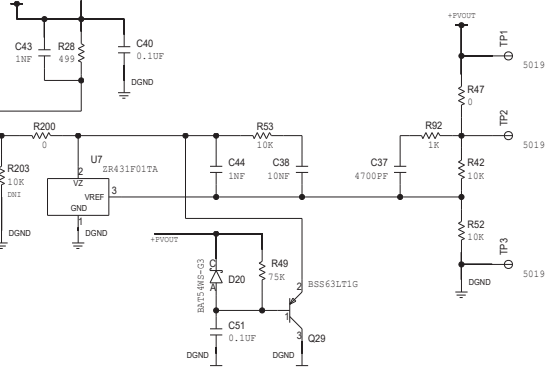
REVISIONS				
ZONE	LTR	DESCRIPTION	DATE	APPROVED
A		INITIAL RELEASE	240CT23	E.ROBINA
B		ECR-121934	25JUL24	E.ROBINA

DC-DC CONVERTER INPUT FILTER

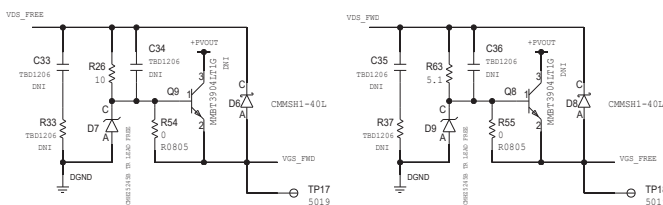


DC INPUT
37V - 57V

OPTO-COUPLER FEEDBACK



SECONDARY-SIDE GATE DRIVERS



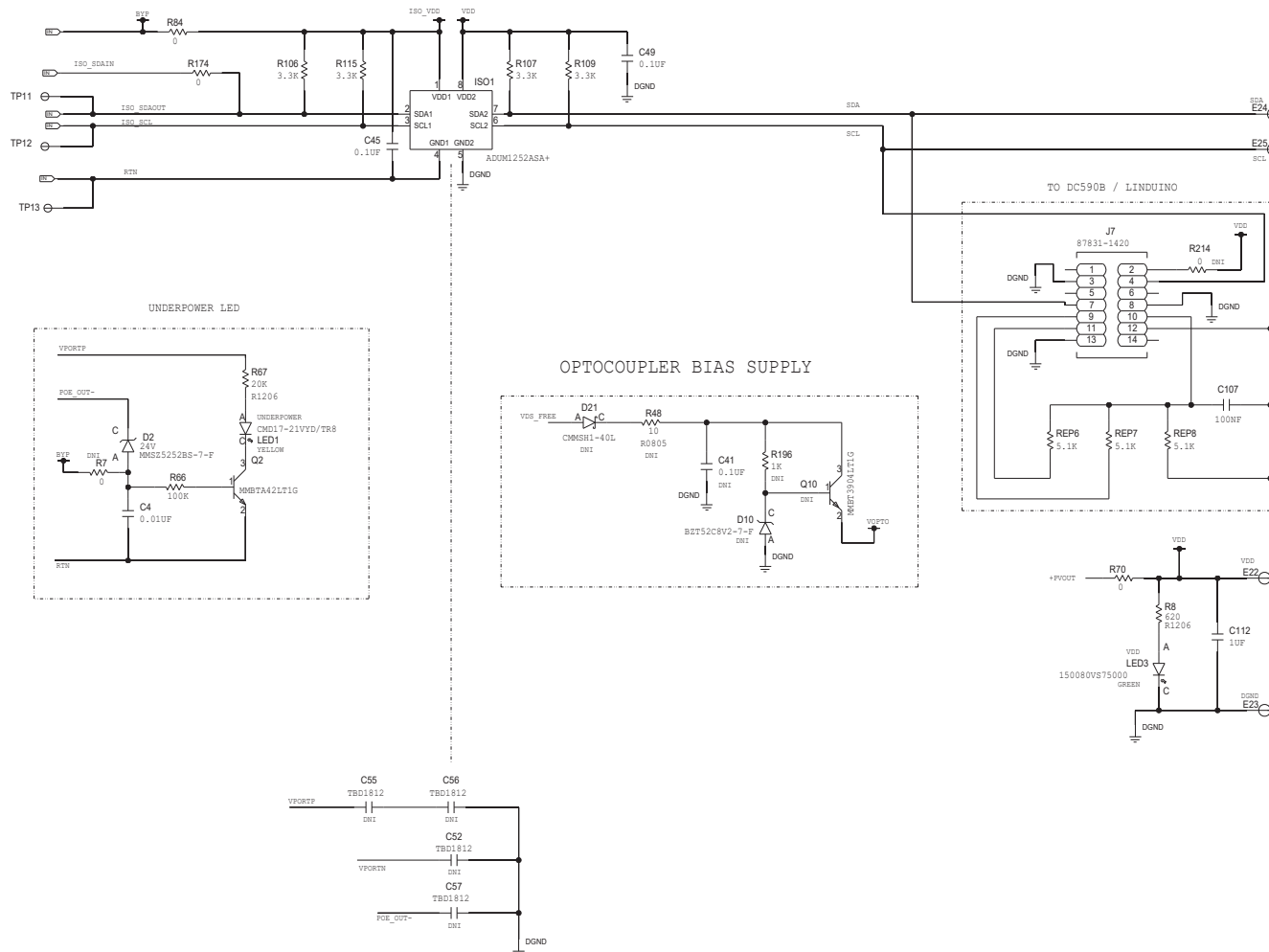
NOTE 1: UNLESS OTHERWISE SPECIFIED
1. ALL RESISTORS AND CAPACITORS ARE 0603
2. ALL RESISTORS TOLERANCE RATING ARE 1%

CADENCE DESIGN SYSTEMS, INC.		DRAWING TITLE	
CAE		DC-DC CONTROLLER	
THIS DOCUMENT CONTAINS INFORMATION PROPRIETARY TO CADENCE DESIGN SYSTEMS AND IS UNCLASSIFIED. USE OF THIS DOCUMENT WITHOUT THE WRITTEN PERMISSION OF AN OFFICER OF CADENCE IS EXPRESSLY FORBIDDEN. COPYRIGHT © CADENCE 1998		SIZE D	REV.
SCALE		DRAWING NO.	
		SHEET	OF

I2C ISOLATOR AND DIGITAL CONNECTORS

REVISIONS				
ZONE	LTR	DESCRIPTION	DATE	APPROVED
A		INITIAL RELEASE	24OCT23	E. HORNSA
B		ECR-121934	25JUL24	E. HORNSA

I2C BLOCK



NOTE 1: UNLESS OTHERWISE SPECIFIED
 1. ALL RESISTORS AND CAPACITORS ARE 0603
 2. ALL RESISTORS TOLERANCE RATING ARE 1%

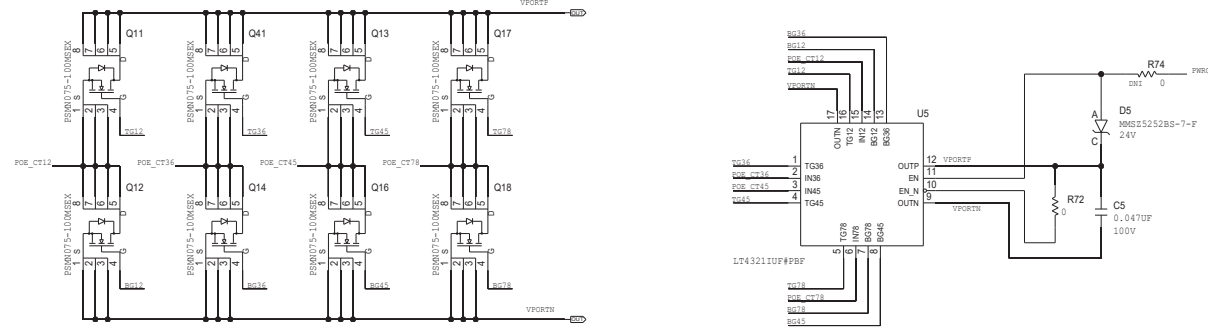
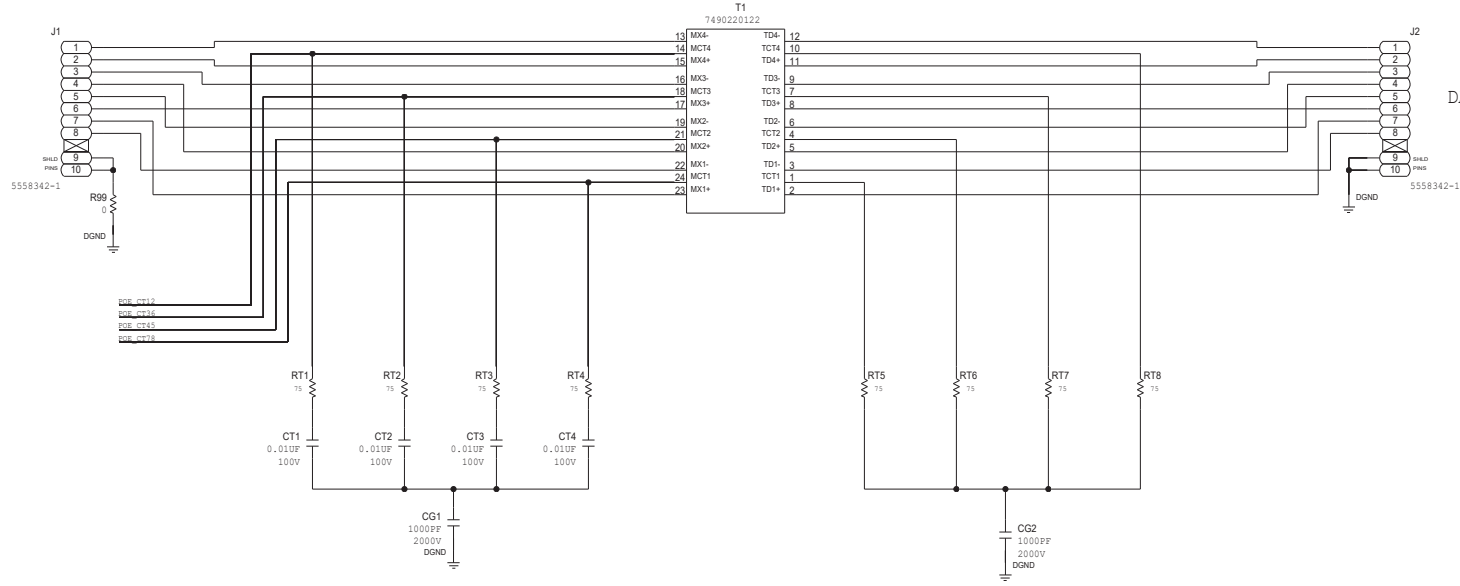
CADENCE DESIGN SYSTEMS, INC.		DRAWING TITLE	
		SIZE D REV. SHEET 1 OF 1 SCALE	
THIS DOCUMENT CONTAINS INFORMATION PROPRIETARY TO CADENCE DESIGN SYSTEMS, INC. UNLESS OTHERWISE INDICATED. NO OTHER USE, REPRODUCTION, OR DISSEMINATION OF ANY KIND IS PERMITTED WITHOUT THE WRITTEN PERMISSION OF AN OFFICER OF CADENCE. IT IS EXPRESSLY FORBIDDEN TO REPRODUCE OR TRANSMIT IN ANY FORM OR BY ANY MEANS, ELECTRONIC OR MECHANICAL, INCLUDING PHOTOCOPYING, RECORDING, OR BY ANY INFORMATION STORAGE AND RETRIEVAL SYSTEM.			

RJ45 JACK AND IDEAL DIODE BRIDGE

REVISIONS				
ZONE	LTR	DESCRIPTION	DATE	APPROVED
A		INITIAL RELEASE	24OCT23	E.ROBINA
B		ECR-121934	25JUL24	E.ROBINA

IN FROM PSE
 POE / POE+ / POE++
 37V - 57V

DATA OUT



NOTE 1: UNLESS OTHERWISE SPECIFIED
 1. ALL RESISTORS AND CAPACITORS ARE 0603
 2. ALL RESISTORS TOLERANCE RATING ARE 1%

CADENCE DESIGN SYSTEMS, INC.		DRAWING TITLE	
CÄDENCE		SIZE D	REV.
THIS DOCUMENT CONTAINS INFORMATION PROPRIETARY TO CADENCE DESIGN SYSTEMS, INC. UNLESS OTHERWISE INDICATED. USE OF THIS DOCUMENT WITHOUT THE WRITTEN PERMISSION OF AN OFFICER OF CADENCE IS EXPRESSLY FORBIDDEN. COPYRIGHT © CADENCE 1998		DRAWING NO.	SHEET 01 OF
SCALE			