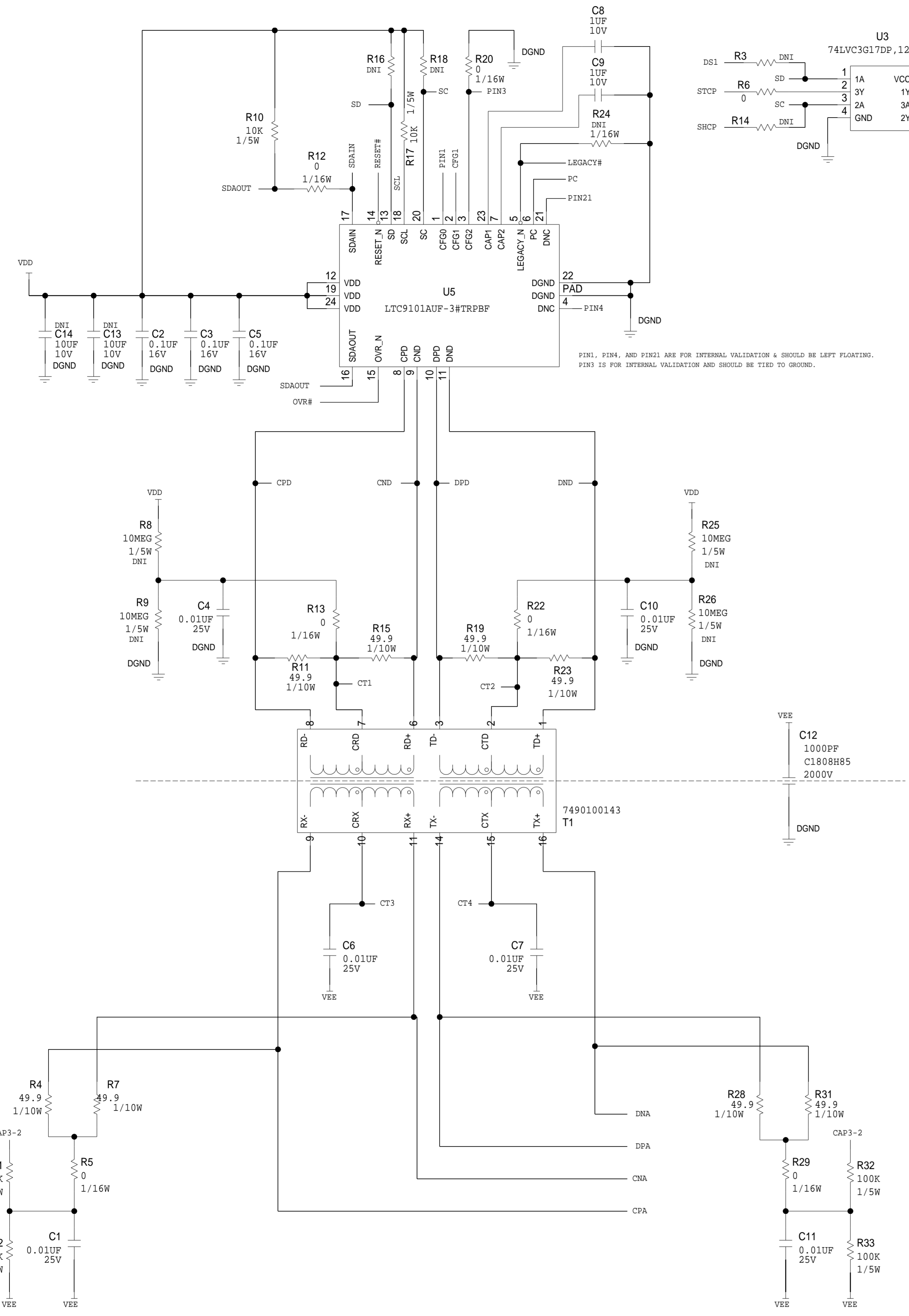
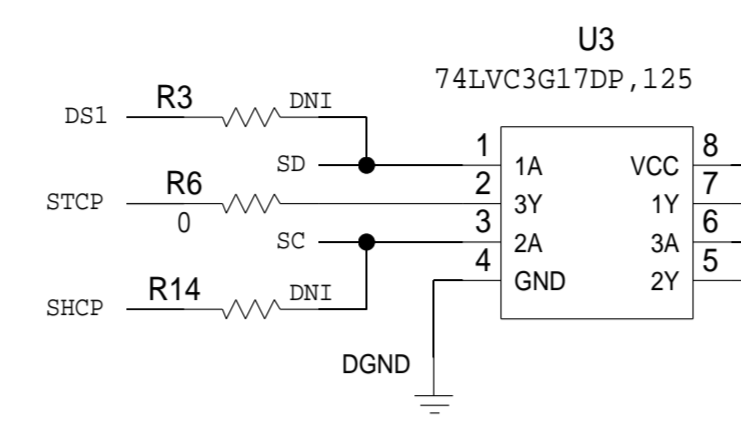
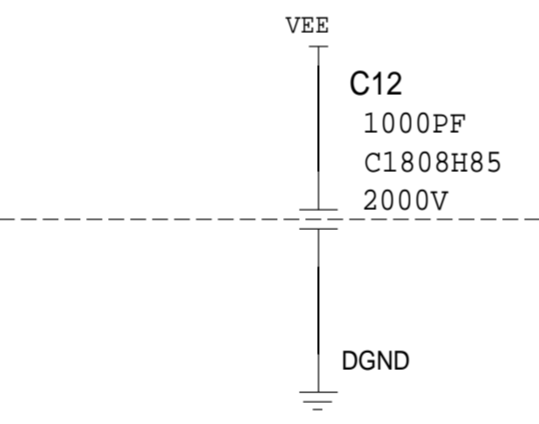


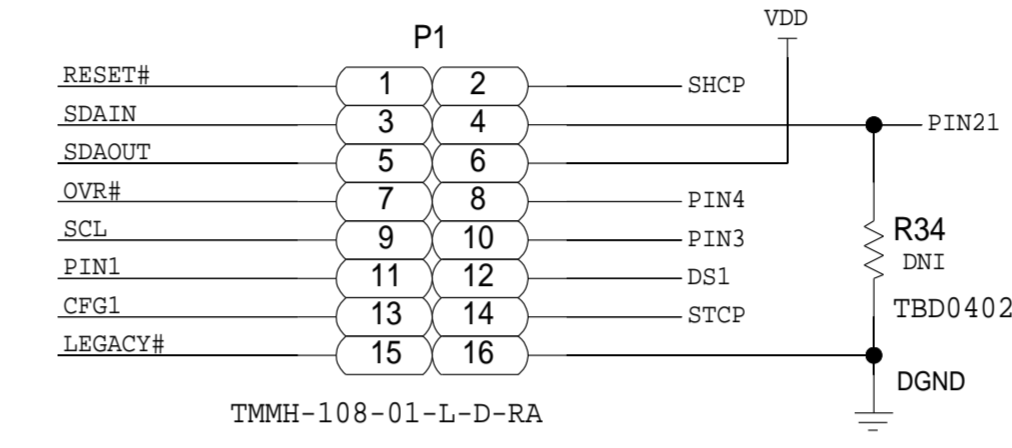
REVISIONS			
REV	DESCRIPTION	DATE	APPROVED



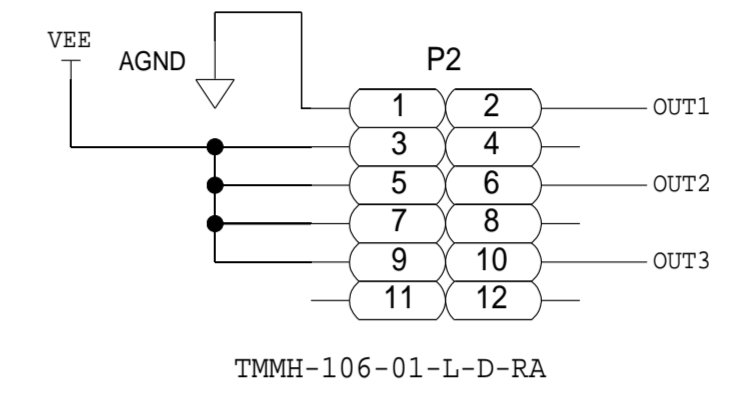
PIN1, PIN4, AND PIN21 ARE FOR INTERNAL VALIDATION & SHOULD BE LEFT FLOATING.
PIN3 IS FOR INTERNAL VALIDATION AND SHOULD BE TIED TO GROUND.



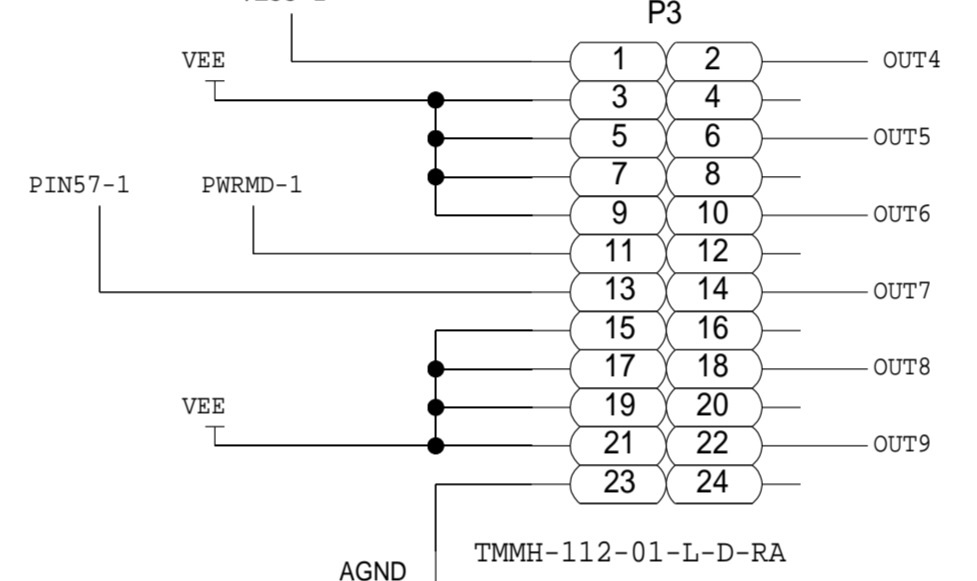
DIGITAL



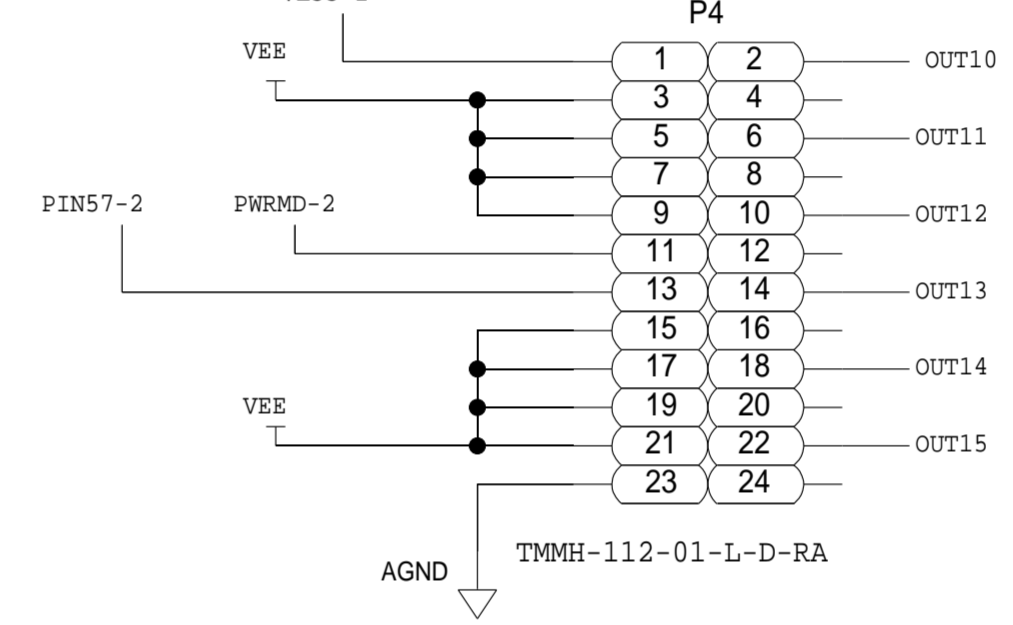
PORTS 1-3



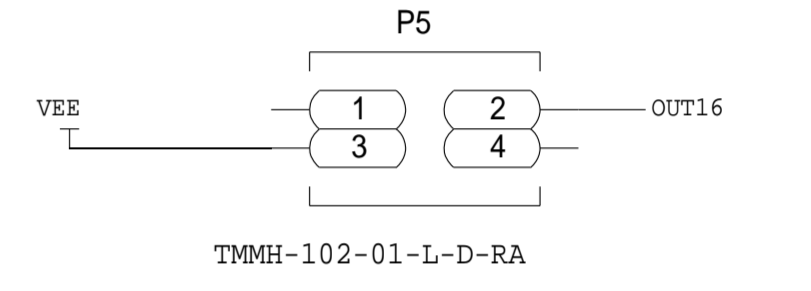
PORTS 4-9



PORTS 10-15



PORT 16

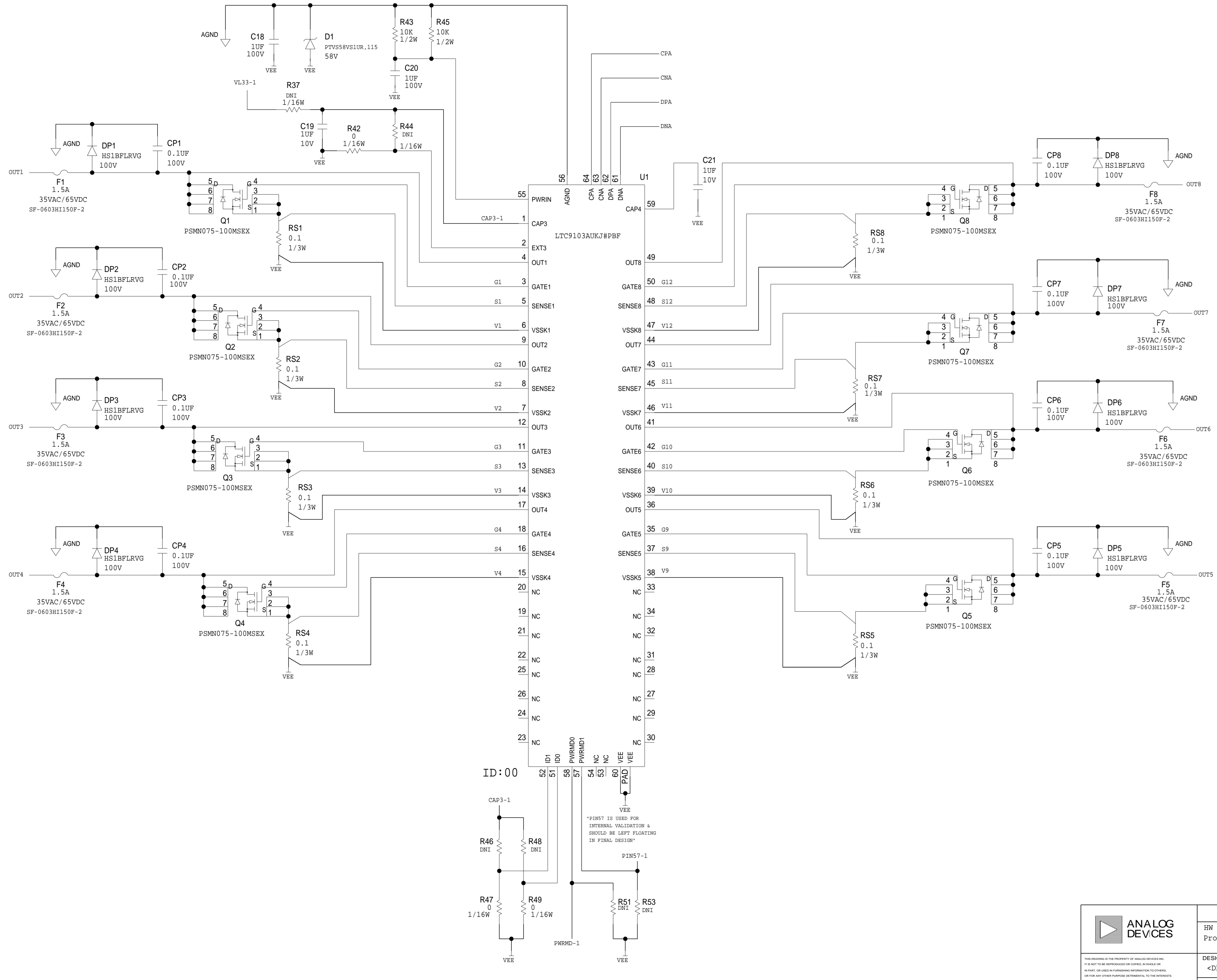


ALTERNATIVE TRANSFORMER FOOTPRINT

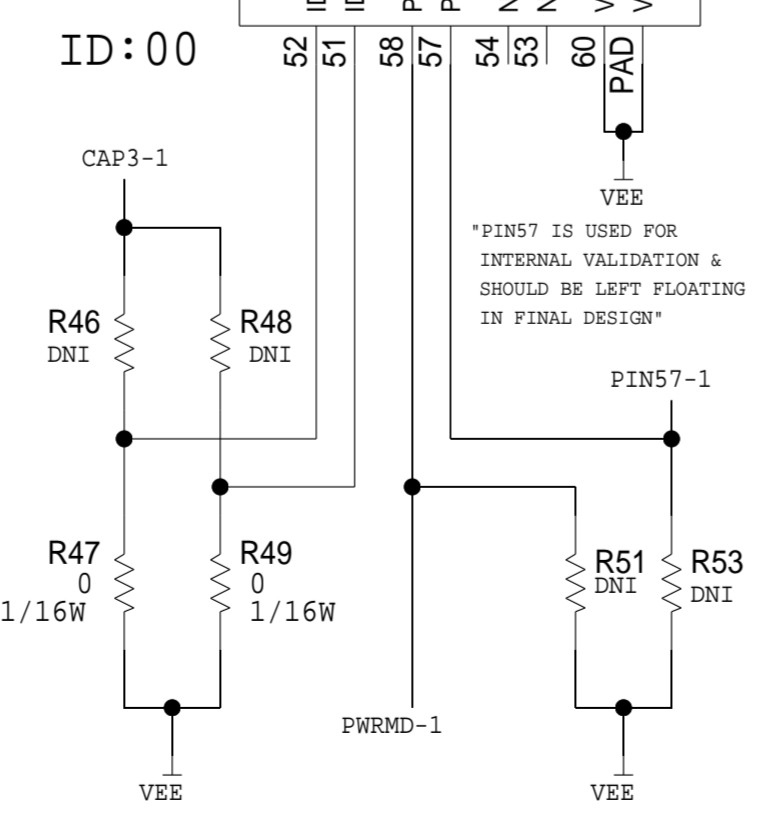
SCHEMATIC			
		HW TYPE : Customer Evaluation Z Product(s) : LTC9101A-3/LTC9103A : ADI DEMO BOARD	
DESIGN VIEW <DESIGN_VIEW>	DRAWING NO. 02_071247	REV A	
PTD ENGINEER E. HORSMA	SIZE D	SCALE 1:1	SHEET 2 OF 4

THIS DRAWING IS THE PROPERTY OF ANALOG DEVICES INC. IT IS NOT TO BE REPRODUCED OR COPIED IN WHOLE OR IN PART, OR USED IN ANY MANNER WITHOUT THE WRITTEN PERMISSION OF ANALOG DEVICES. THE EQUIPMENT SHOWN HEREIN MAY BE PROTECTED BY PATENTS OWNED OR CONTROLLED BY ANALOG DEVICES.

REVISIONS			
REV	DESCRIPTION	DATE	APPROVED



ID	ADDRESS
U1	00
U2	01

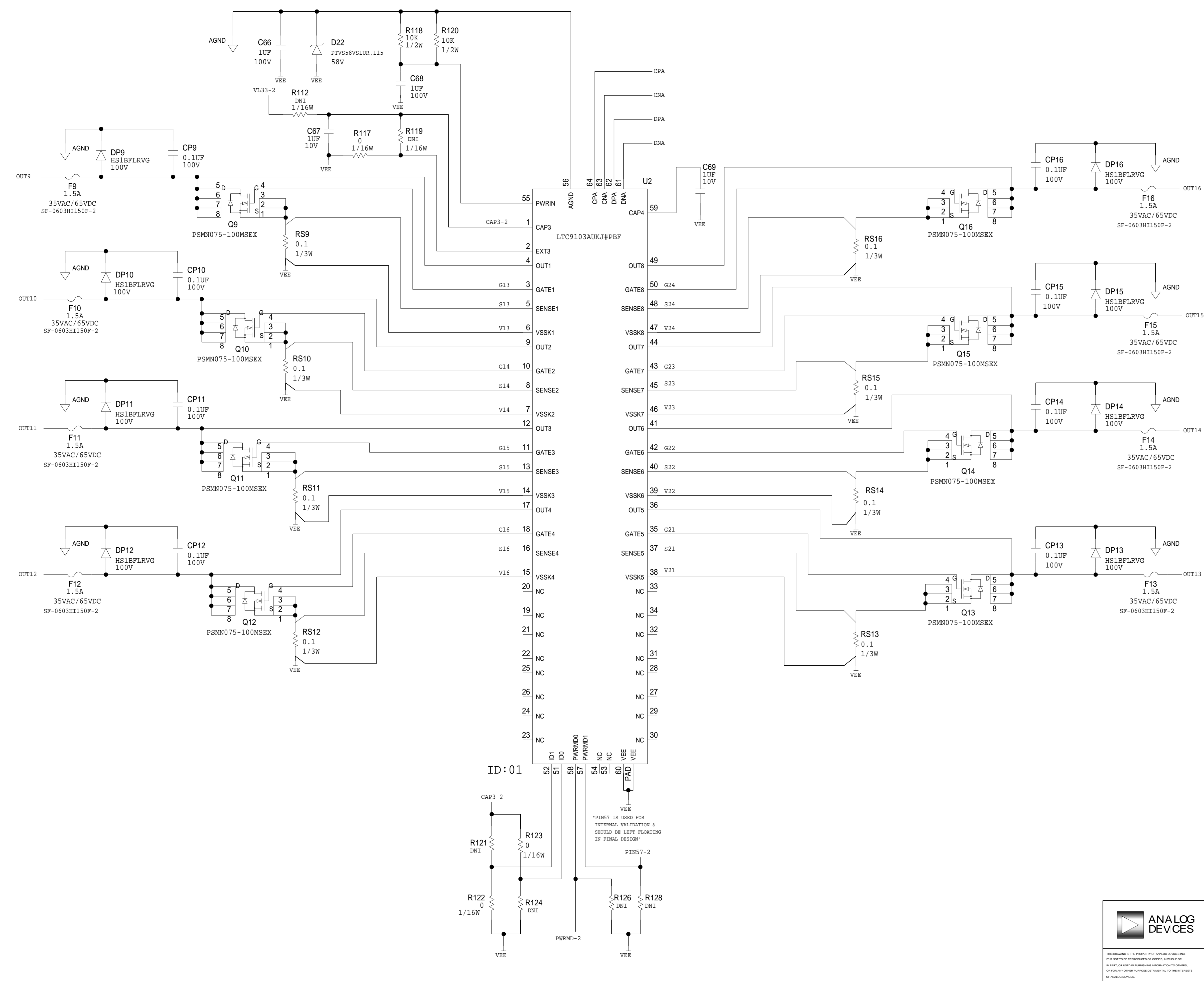


	SCHEMATIC		
	HW TYPE : Customer Evaluation Z Product(s) : LTC9101A-3/LTC9103A : ADI DEMO BOARD		
DESIGN VIEW <DESIGN_VIEW>	DRAWING NO. 02_071247	REV A	
PTD ENGINEER E. HORSMA	SIZE D	SCALE 1:1	SHEET 3 OF 4

D
C
B
A

D
C
B
A

REVISIONS			
REV	DESCRIPTION	DATE	APPROVED



ID	ADDRESS
U1	00
U2	01

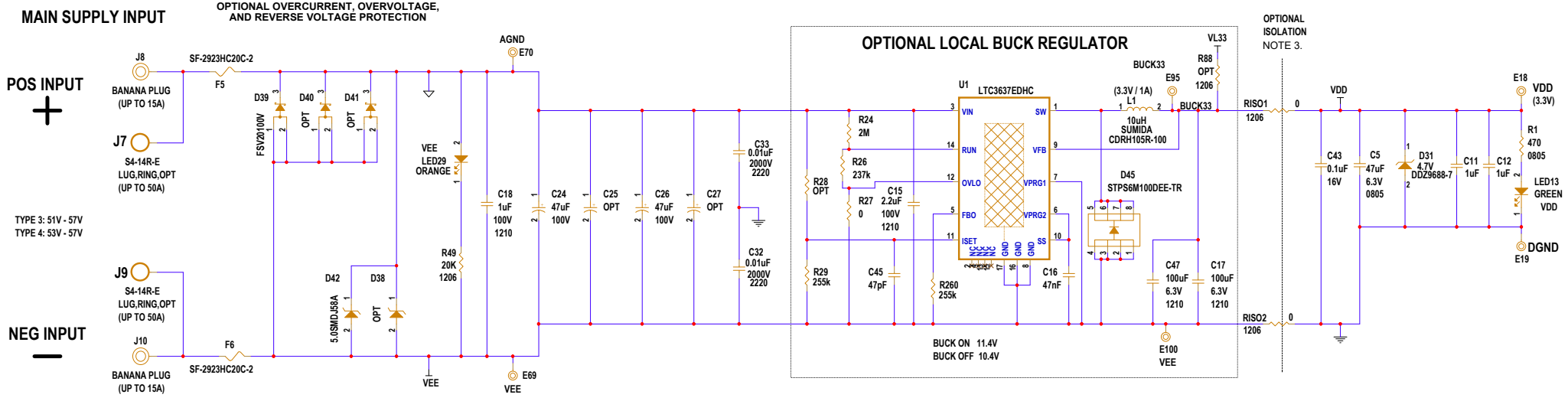
ID: 01

PIN57 IS USED FOR INTERNAL VALIDATION & SHOULD BE LEFT FLOATING IN FINAL DESIGN

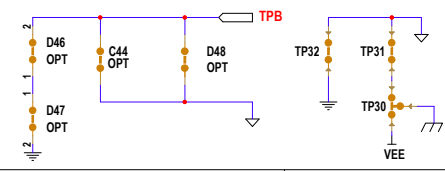
	SCHEMATIC		
	HW TYPE : Customer Evaluation Z Product(s) : LTC9101A-3/LTC9103A : ADI DEMO BOARD		
DESIGN VIEW <DESIGN_VIEW>	DRAWING NO. 02_071247	REV A	
PTD ENGINEER E. HORSMA	SIZE D	SCALE 1:1	SHEET 4 OF 4

REVISION HISTORY				
ECO	REV	DESCRIPTION	APPROVED	DATE
	1			

POWER SUPPLY



- NOTE: UNLESS OTHERWISE SPECIFIED**
1. ALL RESISTORS AND CAPACITORS ARE 0603.
 2. INSTALL SHUNTS AS SHOWN.
 3. REMOVE RESISTORS TO ISOLATE DIGITAL AND ANALOG DOMAINS
 4. POPULATE RESISTOR TO CONNECT DIGITAL GROUND TO CHASSIS



CUSTOMER NOTICE

ANALOG DEVICES HAS MADE A BEST EFFORT TO DESIGN A CIRCUIT THAT MEETS THE CUSTOMER-SUPPLIED SPECIFICATIONS. HOWEVER, IT REMAINS THE CUSTOMER'S RESPONSIBILITY TO VERIFY PROPER AND RELIABLE OPERATION IN THE ACTUAL APPLICATION. COMPONENT SUBSTITUTION AND PRINTED CIRCUIT BOARD LAYOUT MAY SIGNIFICANTLY AFFECT CIRCUIT PERFORMANCE OR RELIABILITY. CONTACT ANALOG DEVICES APPLICATIONS ENGINEERING FOR ASSISTANCE.

APPROVALS

PCB DES:	KEMLM
APP ENGR:	ERIC.H

ANALOG DEVICES POWER BY LINEAR

www.analog.com Phone: (408)432-1900

TITLE: SCHEMATIC

16-PORT IEEE802.3at PSE MOTHER BOARD

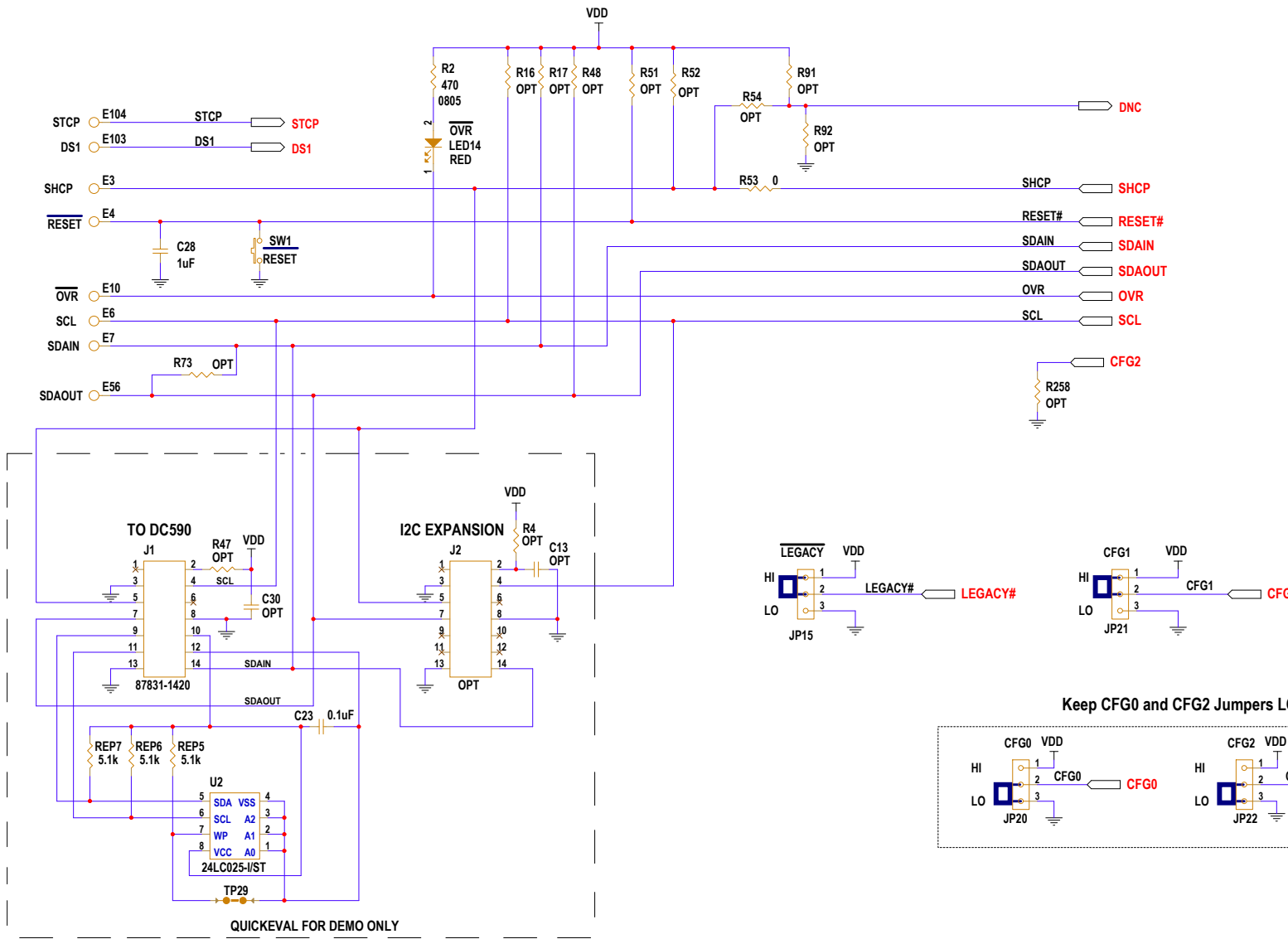
IC NO.	LTC3637EMSE#TRPBF	SCHMATIC NO. AND REVISION:	
SKU NO.	EVAL-LTC9101-3-MB-AZ	EVAL-LTC9101-3-MB-AZ_REV01	
SIZE:	N/A	DATE:	

THIS CIRCUIT IS PROPRIETARY TO ANALOG DEVICES AND SUPPLIED FOR USE WITH ANALOG DEVICES PARTS.

SHEET 1 OF 13

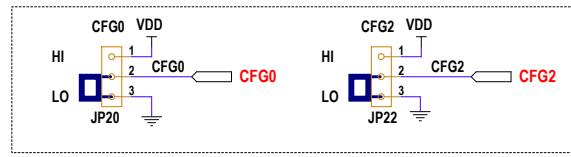
REVISION HISTORY				
ECO	REV	DESCRIPTION	APPROVED	DATE
	1			

CONFIGURATIONS



QUICKEVAL FOR DEMO ONLY

Keep CFG0 and CFG2 Jumpers LO



NOTE: UNLESS OTHERWISE SPECIFIED
 1. ALL RESISTORS AND CAPACITORS ARE 0603.
 2. INSTALL SHUNTS AS SHOWN.

CUSTOMER NOTICE
 ANALOG DEVICES HAS MADE A BEST EFFORT TO DESIGN A CIRCUIT THAT MEETS CUSTOMER-SUPPLIED SPECIFICATIONS; HOWEVER, IT REMAINS THE CUSTOMER'S RESPONSIBILITY TO VERIFY PROPER AND RELIABLE OPERATION IN THE ACTUAL APPLICATION. COMPONENT SUBSTITUTION AND PRINTED CIRCUIT BOARD LAYOUT MAY SIGNIFICANTLY AFFECT CIRCUIT PERFORMANCE OR RELIABILITY. CONTACT ANALOG DEVICES APPLICATIONS ENGINEERING FOR ASSISTANCE.

THIS CIRCUIT IS PROPRIETARY TO ANALOG DEVICES AND SUPPLIED FOR USE WITH ANALOG DEVICES PARTS.

APPROVALS	
PCB DES.	KENJM
APP ENG.	ERIC.H

www.analog.com

Phone: (408)432-1900

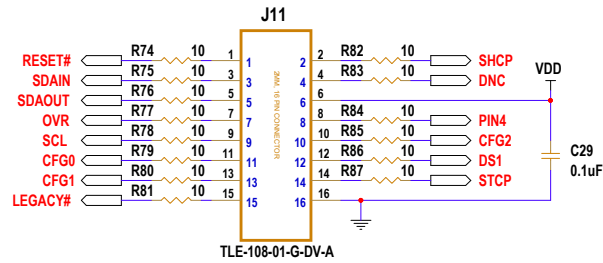
TITLE: SCHEMATIC
16-PORT IEEE 802.3at PSE MOTHER BOARD

IC NO.	LTC3637EMSE#TRPBF	SCHMATIC NO. AND REVISION:	EVAL-LTC9101-3-MB-AZ_REV01
SKU NO.	EVAL-LTC9101-3-MB-AZ		
SIZE:	N/A	DATE:	

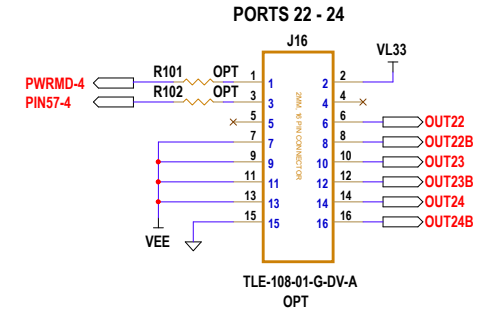
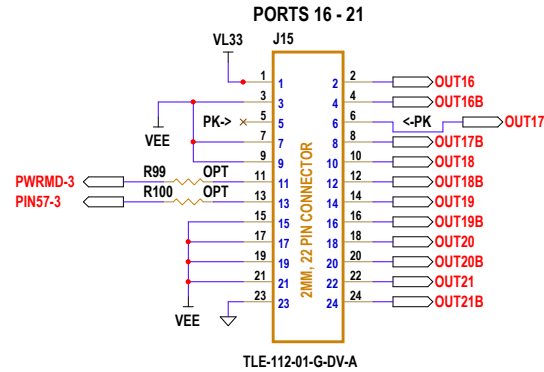
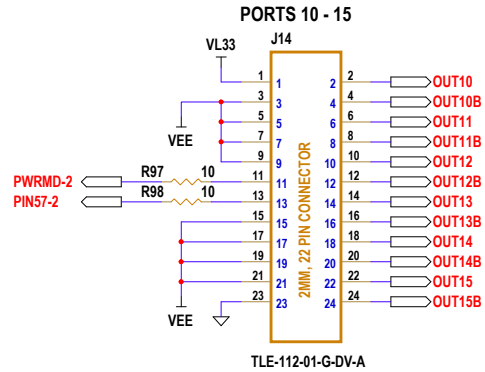
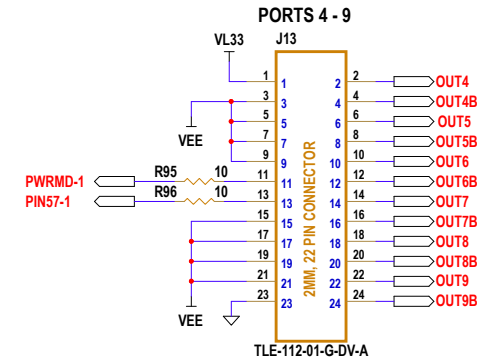
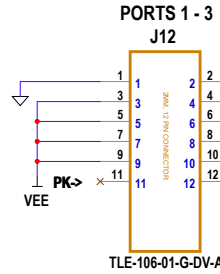
SHEET 2 OF 13

REVISION HISTORY				
ECO	REV	DESCRIPTION	APPROVED	DATE
	1			

DIGITAL CONNECTIONS



ANALOG CONNECTIONS

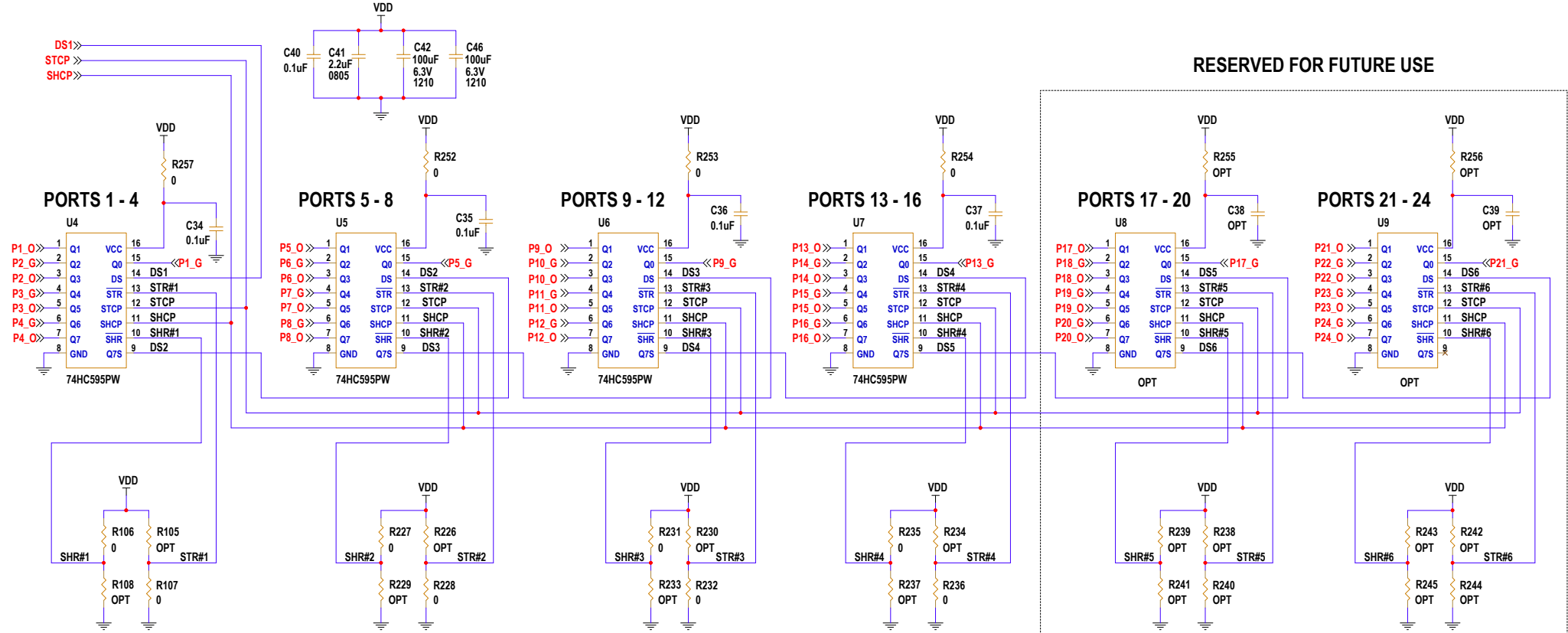


NOTE: UNLESS OTHERWISE SPECIFIED
 1. ALL RESISTORS AND CAPACITORS ARE 0603.
 2. INSTALL SHUNTS AS SHOWN.

CUSTOMER NOTICE		APPROVALS		ANALOG DEVICES www.analog.com	POWER BY LINEAR Phone: (408)432-1900
ANALOG DEVICES HAS MADE A BEST EFFORT TO DESIGN A CIRCUIT THAT MEETS CUSTOMER-SUPPLIED SPECIFICATIONS; HOWEVER, IT REMAINS THE CUSTOMER'S RESPONSIBILITY TO VERIFY PROPER AND RELIABLE OPERATION IN THE ACTUAL APPLICATION. COMPONENT SUBSTITUTION AND POWERED CIRCUIT BOARD LAYOUT MAY SIGNIFICANTLY AFFECT CIRCUIT PERFORMANCE OR RELIABILITY. CONTACT ANALOG DEVICES APPLICATIONS ENGINEERING FOR ASSISTANCE.		PCB DES.	KENM		
		APP ENG.	ERIC.H	16-PORT IEEE 802.3at PSE MOTHER BOARD	
				IC NO.	LTC3637EMSE#TRPBF
				SKU NO.	EVAL-LTC9101-3-MB-AZ
				SCHEMATIC NO. AND REVISION: EVAL-LTC9101-3-MB-AZ_REV01	
				SIZE:	N/A
				DATE:	
				SHEET 3 OF 13	

LED SHIFT REGISTERS

REVISION HISTORY				
ECO	REV	DESCRIPTION	APPROVED	DATE
	1			



NOTE: UNLESS OTHERWISE SPECIFIED

1. ALL RESISTORS AND CAPACITORS ARE 0603.
2. INSTALL SHUNTS AS SHOWN.

<<Core Design>>

CUSTOMER NOTICE
 ANALOG DEVICES HAS MADE A BEST EFFORT TO DESIGN A CIRCUIT THAT MEETS CUSTOMER-SUPPLIED SPECIFICATIONS; HOWEVER, IT REMAINS THE CUSTOMER'S RESPONSIBILITY TO VERIFY PROPER AND RELIABLE OPERATION IN THE ACTUAL APPLICATION. COMPONENT SUBSTITUTION AND PRINTED CIRCUIT BOARD LAYOUT MAY SIGNIFICANTLY AFFECT CIRCUIT PERFORMANCE OR RELIABILITY. CONTACT ANALOG DEVICES APPLICATIONS ENGINEERING FOR ASSISTANCE.

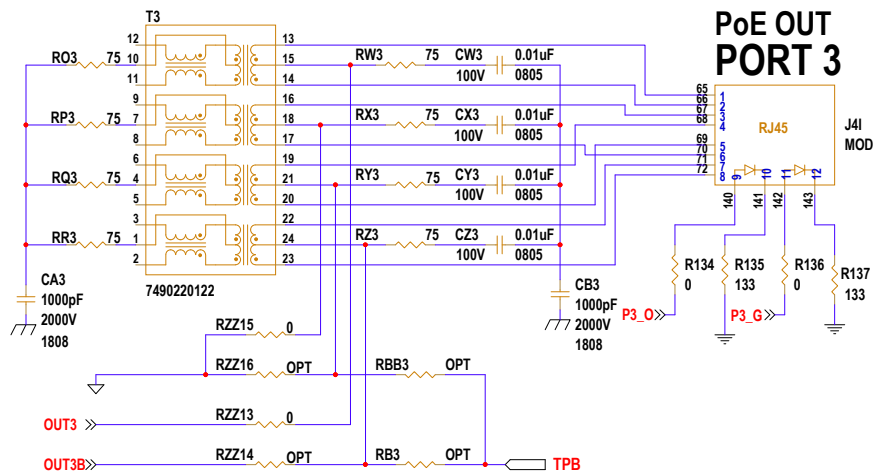
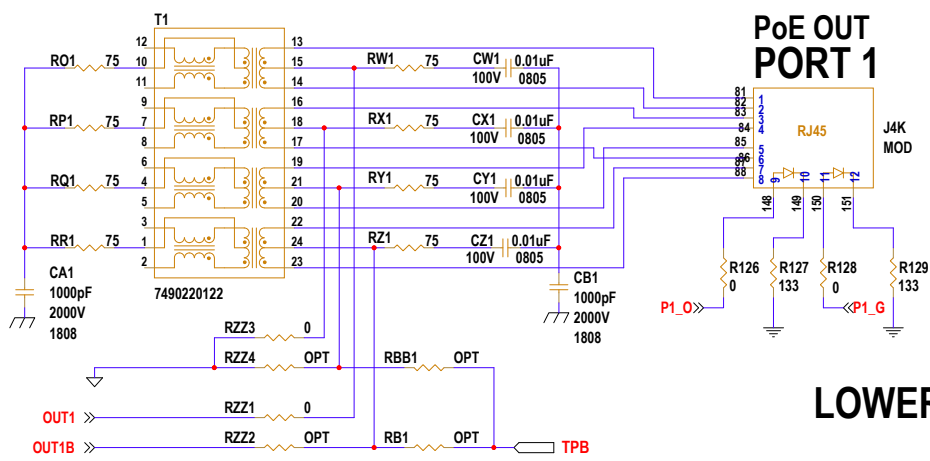
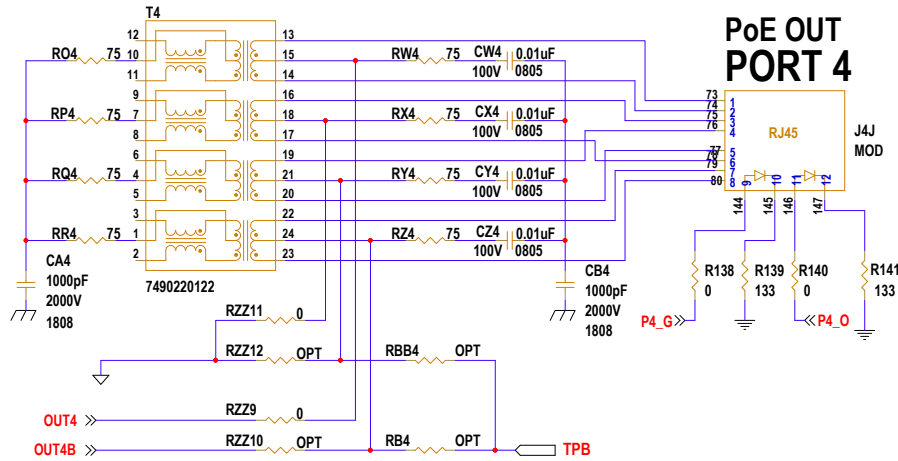
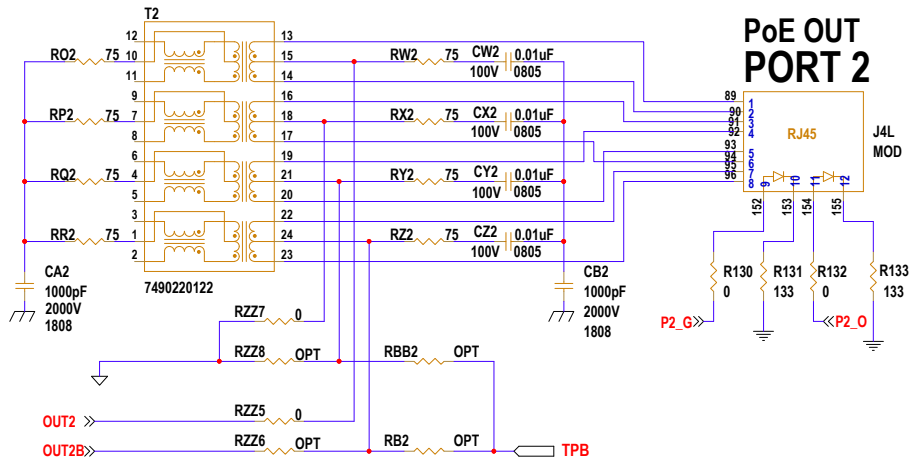
THIS CIRCUIT IS PROPRIETARY TO ANALOG DEVICES AND SUPPLIED FOR USE WITH ANALOG DEVICES PARTS.

APPROVALS	
PCB DES.	KENLM
APP ENG.	ERIC.H

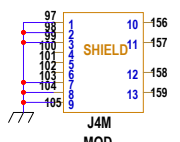
		www.analog.com	Phone: (408)432-1900
		TITLE: SCHEMATIC	
16-PORT IEEE 802.3at PSE MOTHER BOARD			
IC NO.	LTC3637EMSE#TRPBF	SCHEMATIC NO. AND REVISION:	
SKU NO.	EVAL-LTC9101-3-MB-AZ	EVAL-LTC9101-3-MB-AZ_REV01	
SIZE:	N/A	DATE:	
			SHEET 4 OF 13

REVISION HISTORY				
ECO	REV	DESCRIPTION	APPROVED	DATE
	1			

UPPER ROW



LOWER ROW



NOTE: UNLESS OTHERWISE SPECIFIED
 1. ALL RESISTORS AND CAPACITORS ARE 0603.
 2. INSTALL SHUNTS AS SHOWN.

CUSTOMER NOTICE
 ANALOG DEVICES HAS MADE A BEST EFFORT TO DESIGN A CIRCUIT THAT MEETS CUSTOMER-SUPPLIED SPECIFICATIONS; HOWEVER, IT REMAINS THE CUSTOMER'S RESPONSIBILITY TO VERIFY PROPER AND RELIABLE OPERATION IN THE ACTUAL APPLICATION. COMPONENT SUBSTITUTION AND PORTWIRE CIRCUIT BOARD LAYOUT MAY SIGNIFICANTLY AFFECT CIRCUIT PERFORMANCE OR RELIABILITY. CONTACT ANALOG DEVICES APPLICATIONS ENGINEERING FOR ASSISTANCE.

APPROVALS		
PCB DES.	KENM	
APP ENG.	ERIC.H	



TITLE: SCHEMATIC
 16-PORT IEEE 802.3at PSE MOTHER BOARD

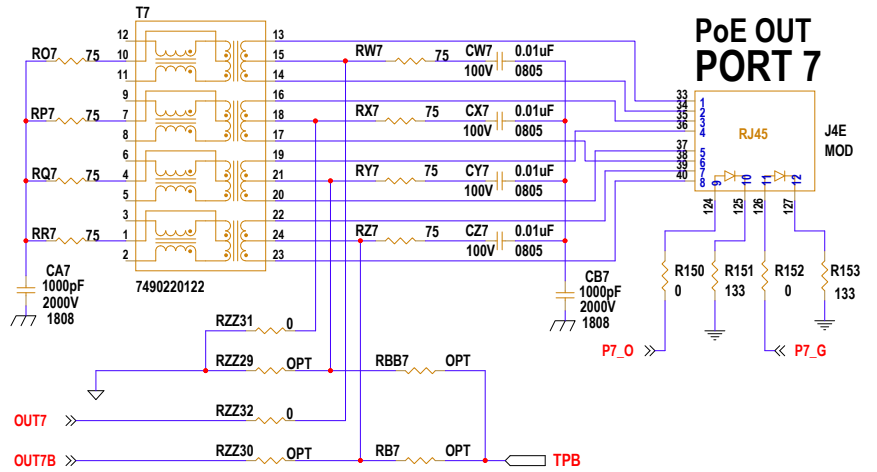
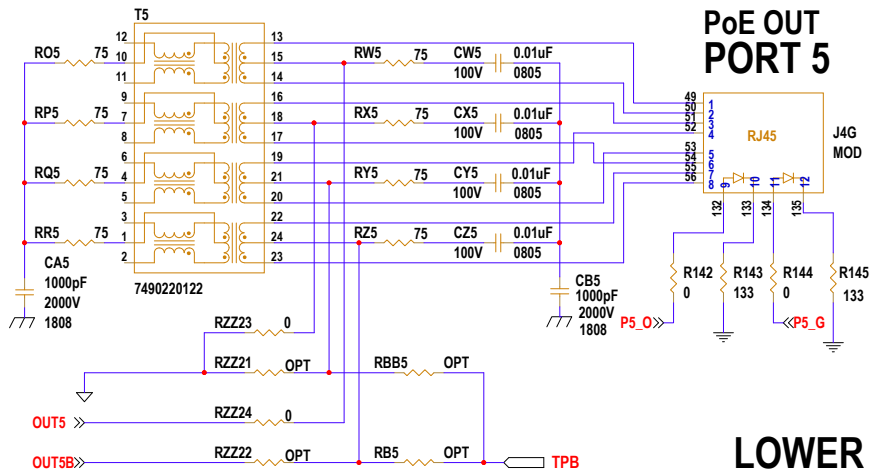
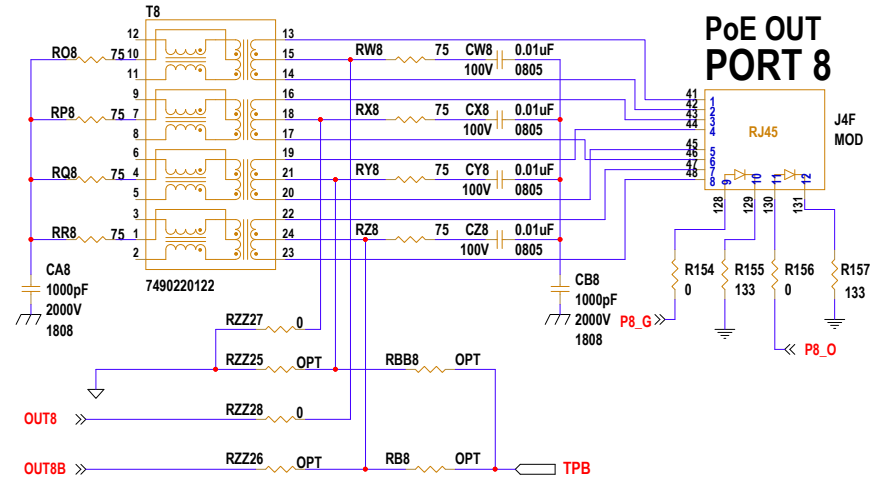
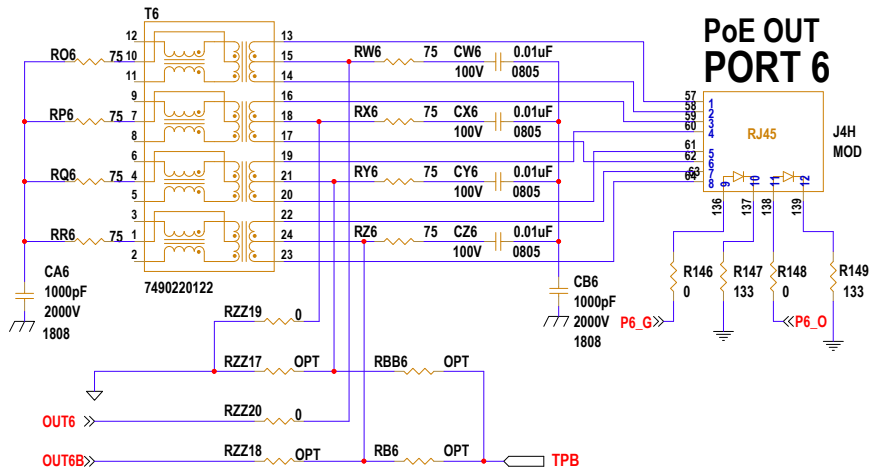
IC NO. LTC3637EMSE#TRPBF SCHEMATIC NO. AND REVISION:
 SKU NO. EVAL-LTC9101-3-MB-AZ EVAL-LTC9101-3-MB-AZ_REV01

SIZE: N/A DATE: SHEET 5 OF 13

THIS CIRCUIT IS PROPRIETARY TO ANALOG DEVICES AND SUPPLIED FOR USE WITH ANALOG DEVICES PARTS.

REVISION HISTORY				
ECO	REV	DESCRIPTION	APPROVED	DATE
	1			

UPPER ROW



LOWER ROW

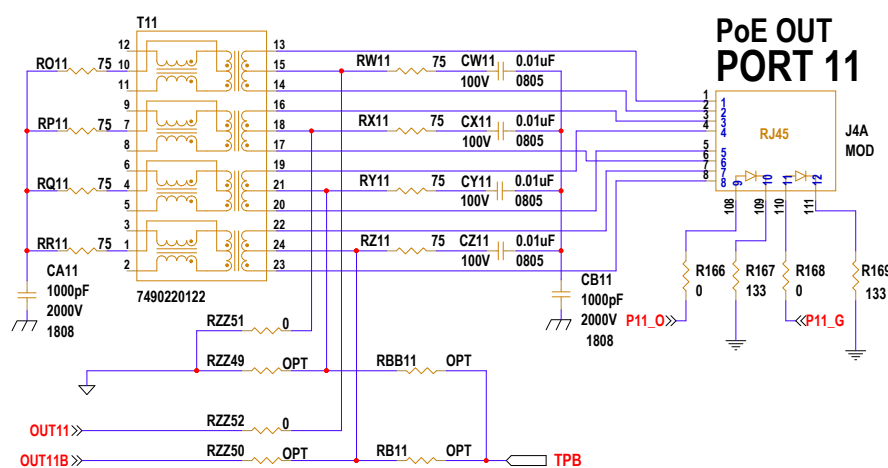
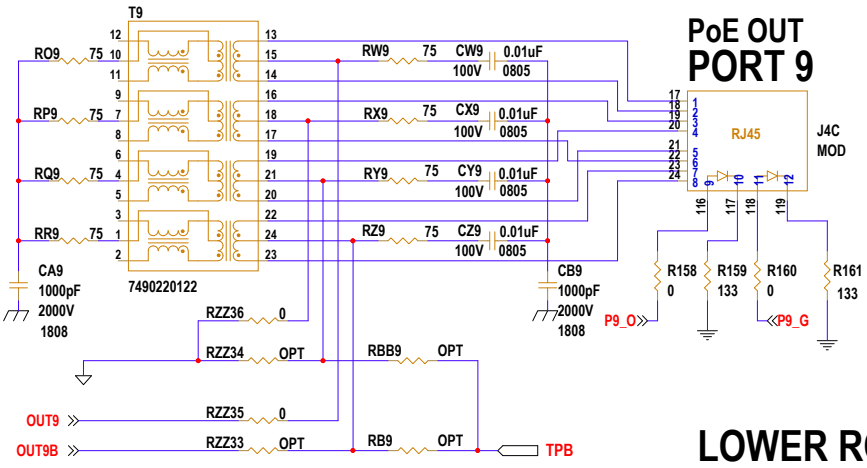
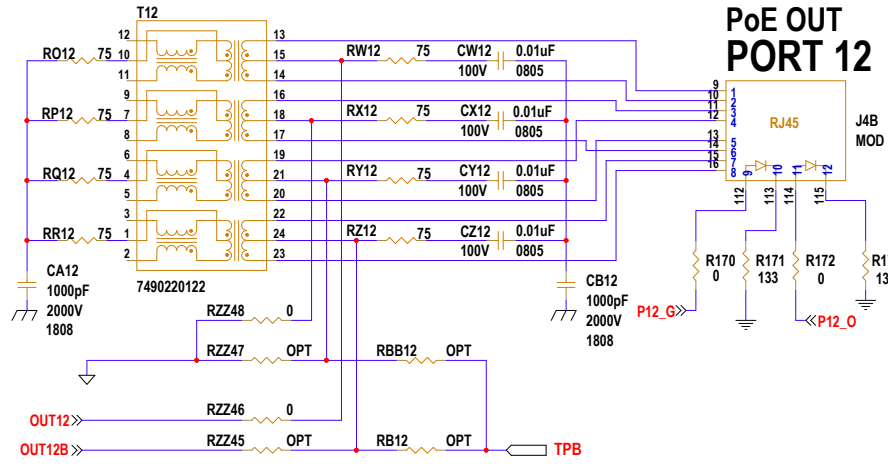
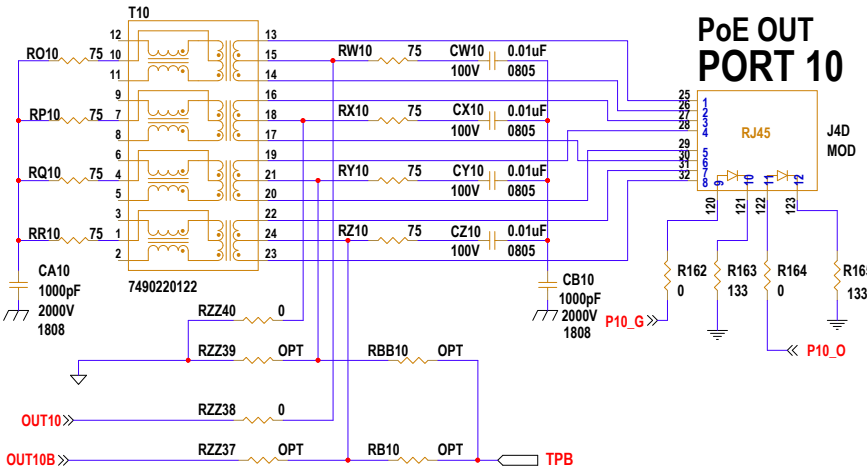
NOTE: UNLESS OTHERWISE SPECIFIED

1. ALL RESISTORS AND CAPACITORS ARE 0603.
2. INSTALL SHUNTS AS SHOWN.

CUSTOMER NOTICE		APPROVALS		ANALOG DEVICES www.analog.com	POWER BY LINEAR Phone: (408)432-1900		
ANALOG DEVICES HAS MADE A BEST EFFORT TO DESIGN A CIRCUIT THAT MEETS CUSTOMER-SUPPLIED SPECIFICATIONS; HOWEVER, IT REMAINS THE CUSTOMER'S RESPONSIBILITY TO VERIFY PROPER AND RELIABLE OPERATION IN THE ACTUAL APPLICATION. COMPONENT SUBSTITUTION AND PRINTED CIRCUIT BOARD LAYOUT MAY SIGNIFICANTLY AFFECT CIRCUIT PERFORMANCE OR RELIABILITY. CONTACT ANALOG DEVICES APPLICATIONS ENGINEERING FOR ASSISTANCE.		PCB DES.	KENM			TITLE: SCHEMATIC	
THIS CIRCUIT IS PROPRIETARY TO ANALOG DEVICES AND SUPPLIED FOR USE WITH ANALOG DEVICES PARTS.		APP ENG.	ERIC.H	16-PORT IEEE 802.3at PSE MOTHER BOARD			
				IC NO.	LTC3637EMSE#TRPBF	SCHMATIC NO. AND REVISION:	EVAL-LTC9101-3-MB-AZ_REV01
		SIZE:	N/A	DATE:		SHEET	6 OF 13

UPPER ROW

REVISION HISTORY		APPROVED	DATE
ECO	REV	DESCRIPTION	
	1		



LOWER ROW

NOTE: UNLESS OTHERWISE SPECIFIED

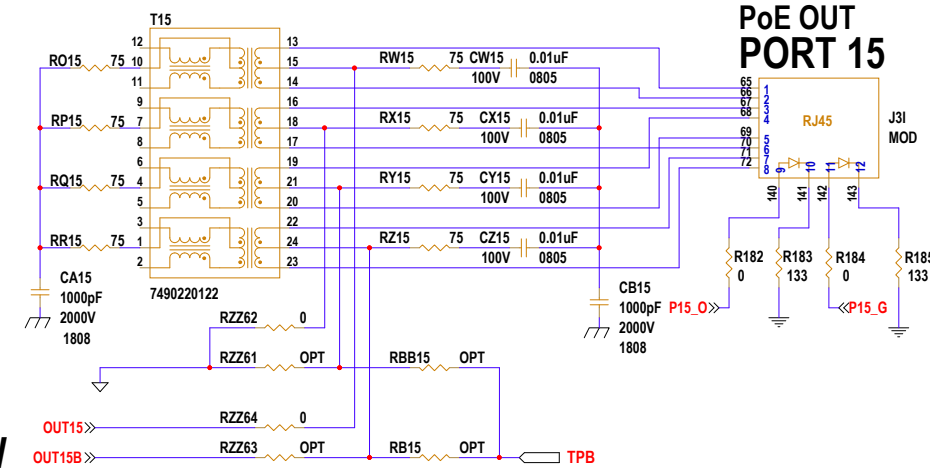
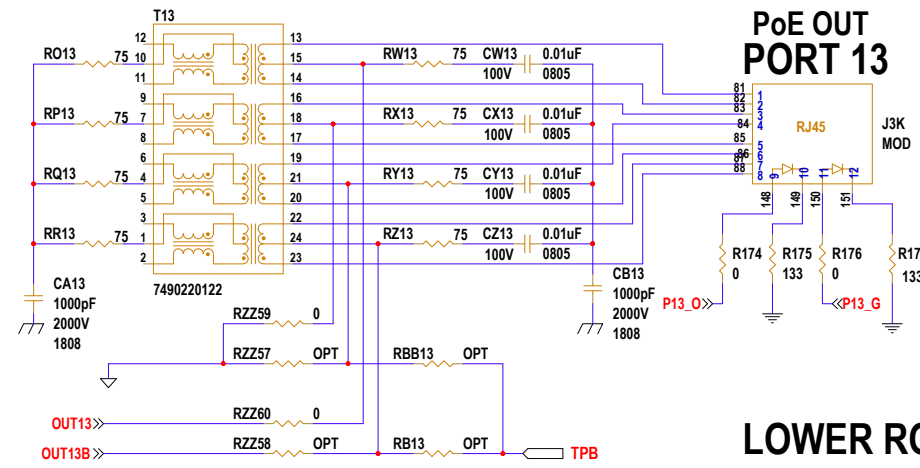
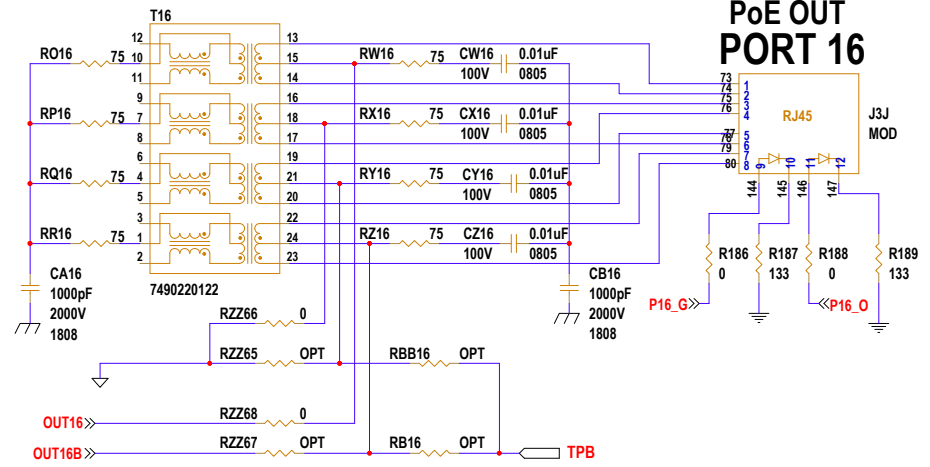
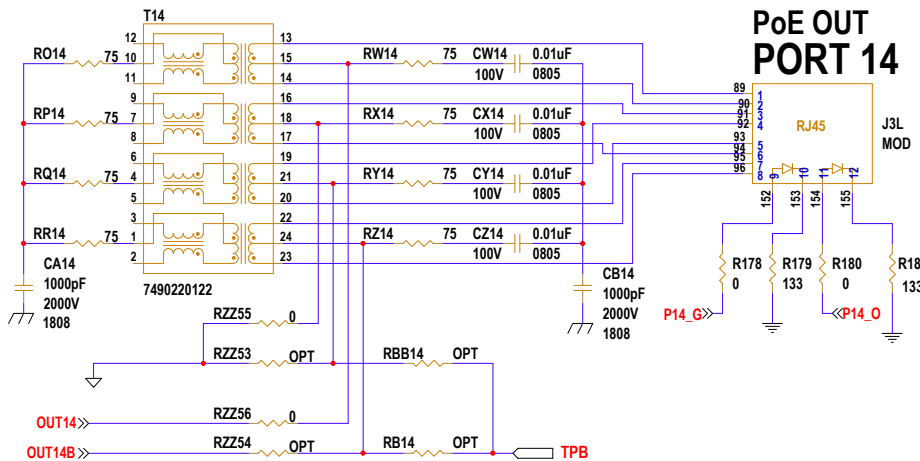
1. ALL RESISTORS AND CAPACITORS ARE 0603.
2. INSTALL SHUNTS AS SHOWN.

CUSTOMER NOTICE		APPROVALS		ANALOG DEVICES www.analog.com	POWER BY LINEAR Phone: (408)432-1900		
ANALOG DEVICES HAS MADE A BEST EFFORT TO DESIGN A CIRCUIT THAT MEETS CUSTOMER-SUPPLIED SPECIFICATIONS; HOWEVER, IT REMAINS THE CUSTOMER'S RESPONSIBILITY TO VERIFY PROPER AND RELIABLE OPERATION IN THE ACTUAL APPLICATION. COMPONENT SUBSTITUTION AND POWERTED CIRCUIT BOARD LAYOUT MAY SIGNIFICANTLY AFFECT CIRCUIT PERFORMANCE OR RELIABILITY. CONTACT ANALOG DEVICES APPLICATIONS ENGINEERING FOR ASSISTANCE.		PCB DES.	KENM			TITLE: SCHEMATIC	
THIS CIRCUIT IS PROPRIETARY TO ANALOG DEVICES AND SUPPLIED FOR USE WITH ANALOG DEVICES PARTS.		APP ENG.	ERIC.H	16-PORT IEEE 802.3at PSE MOTHER BOARD			
				IC NO.	LTC3637EMSE#TRPBF	SCHMATIC NO. AND REVISION:	EVAL-LTC9101-3-MB-AZ_REV01
		SIZE:	N/A	DATE:		SHEET	7 OF 13

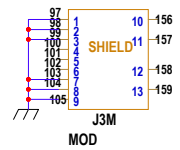
REVISION HISTORY				
ECO	REV	DESCRIPTION	APPROVED	DATE
	1			

PORTS 13 - 16

UPPER ROW



LOWER ROW



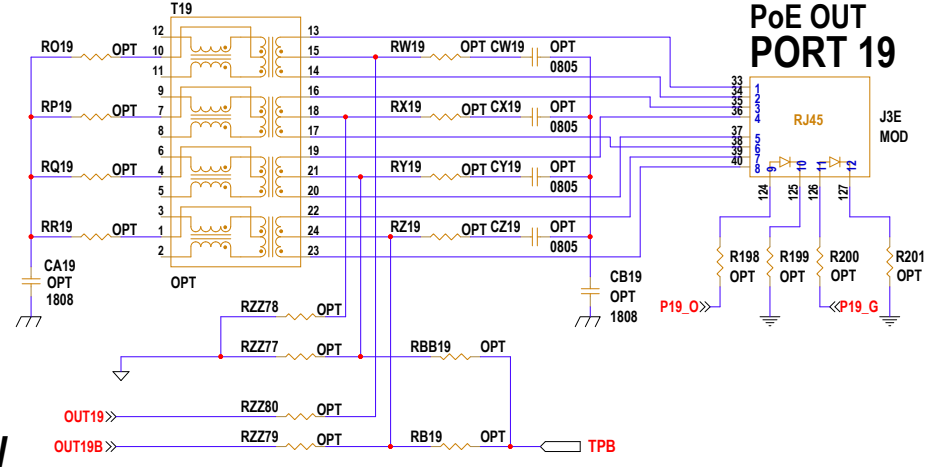
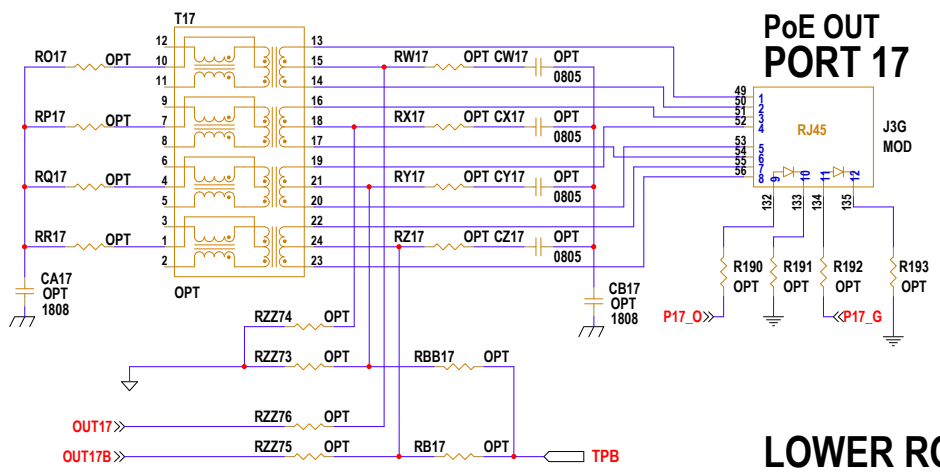
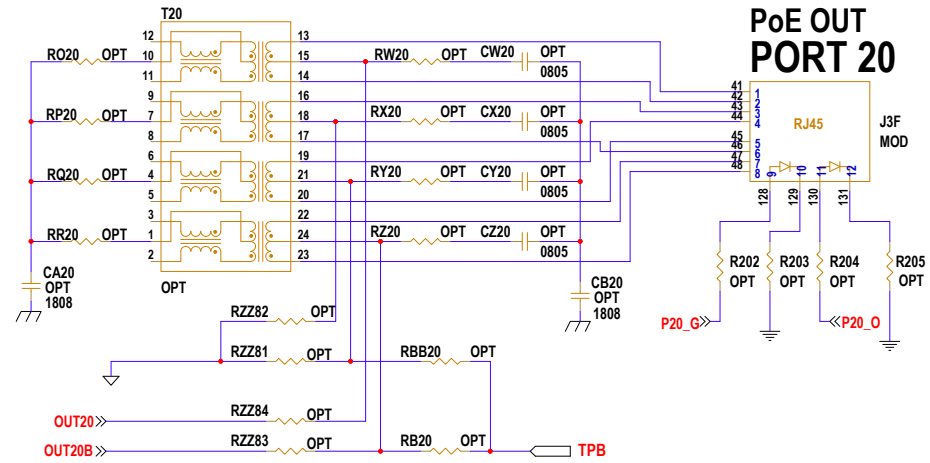
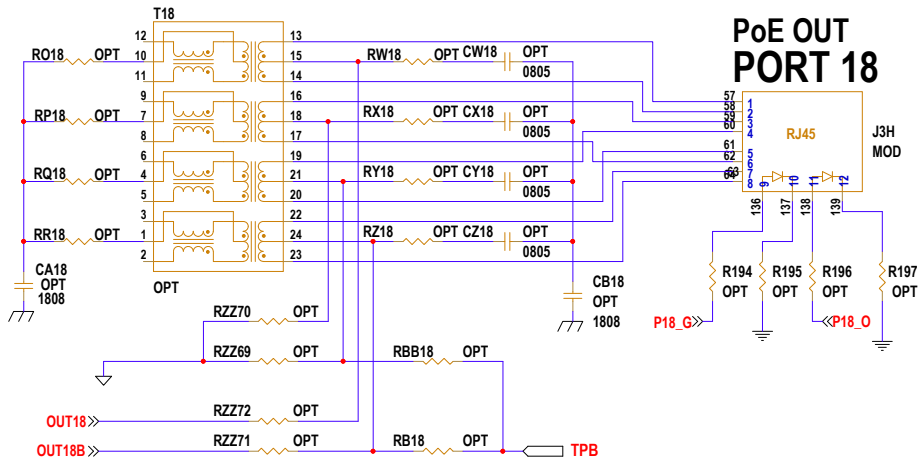
NOTE: UNLESS OTHERWISE SPECIFIED

1. ALL RESISTORS AND CAPACITORS ARE 0603.
2. INSTALL SHUNTS AS SHOWN.

CUSTOMER NOTICE		APPROVALS		ANALOG DEVICES		POWER BY LINEAR	
ANALOG DEVICES HAS MADE A BEST EFFORT TO DESIGN A CIRCUIT THAT MEETS CUSTOMER-SUPPLIED SPECIFICATIONS; HOWEVER, IT REMAINS THE CUSTOMER'S RESPONSIBILITY TO VERIFY PROPER AND RELIABLE OPERATION IN THE ACTUAL APPLICATION. COMPONENT SUBSTITUTION AND POWERED CIRCUIT BOARD LAYOUT MAY SIGNIFICANTLY AFFECT CIRCUIT PERFORMANCE OR RELIABILITY. CONTACT ANALOG DEVICES APPLICATIONS ENGINEERING FOR ASSISTANCE.		PCB DES.	KENM	www.analog.com		Phone: (408)432-1900	
THIS CIRCUIT IS PROPRIETARY TO ANALOG DEVICES AND SUPPLIED FOR USE WITH ANALOG DEVICES PARTS.		APP ENG.	ERIC.H	TITLE: SCHEMATIC			
				16-PORT IEEE 802.3at PSE MOTHER BOARD			
				IC NO. LTC3637EMSE#TRPBF		SCHEMATIC NO. AND REVISION: EVAL-LTC9101-3-MB-AZ_REV01	
				SKU NO. EVAL-LTC9101-3-MB-AZ			
				SIZE: N/A		DATE:	
						SHEET 8 OF 13	

UPPER ROW

REVISION HISTORY				
ECO	REV	DESCRIPTION	APPROVED	DATE
	1			



LOWER ROW

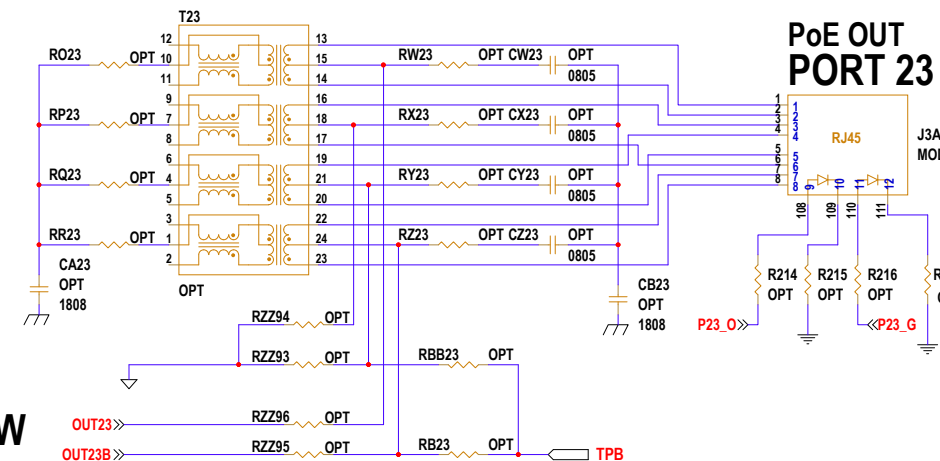
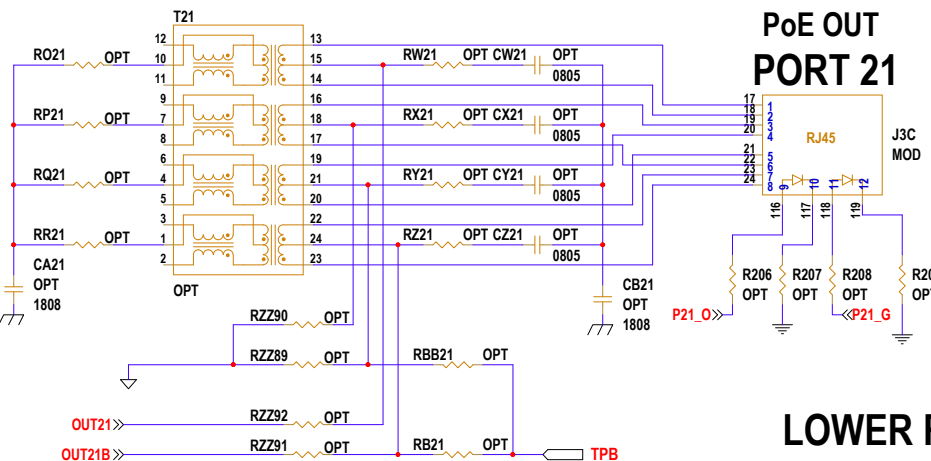
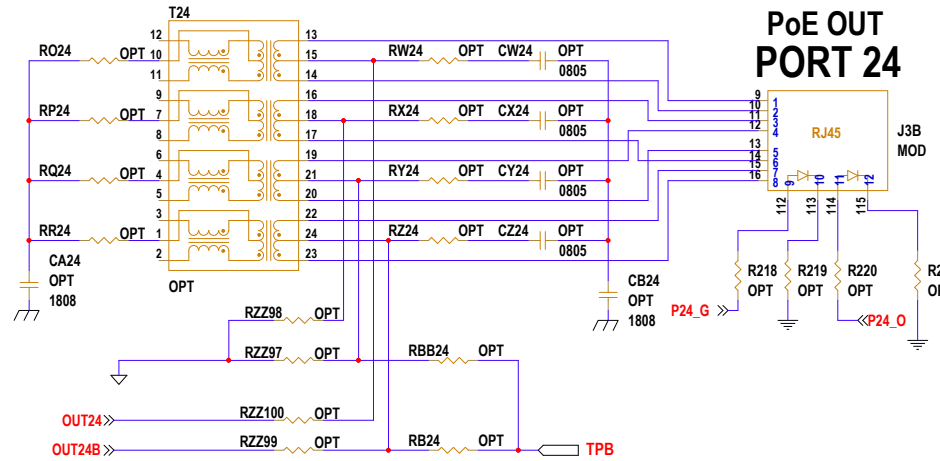
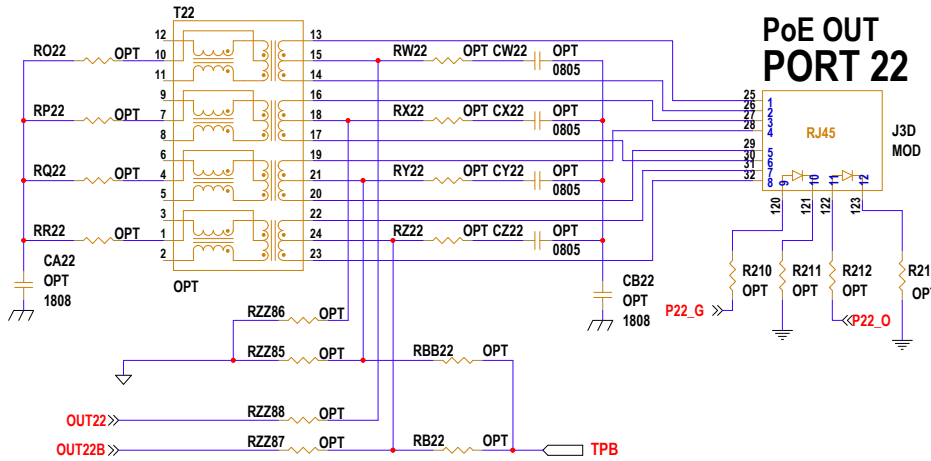
NOTE: UNLESS OTHERWISE SPECIFIED

1. ALL RESISTORS AND CAPACITORS ARE 0603.
2. INSTALL SHUNTS AS SHOWN.

CUSTOMER NOTICE		APPROVALS		ANALOG DEVICES www.analog.com	POWER BY LINEAR Phone: (408)432-1900
ANALOG DEVICES HAS MADE A BEST EFFORT TO DESIGN A CIRCUIT THAT MEETS CUSTOMER-SUPPLIED SPECIFICATIONS; HOWEVER, IT REMAINS THE CUSTOMER'S RESPONSIBILITY TO VERIFY PROPER AND RELIABLE OPERATION IN THE ACTUAL APPLICATION. COMPONENT SUBSTITUTION AND PRINTED CIRCUIT BOARD LAYOUT MAY SIGNIFICANTLY AFFECT CIRCUIT PERFORMANCE OR RELIABILITY. CONTACT ANALOG DEVICES APPLICATIONS ENGINEERING FOR ASSISTANCE.		PCB DES.	KENM		
THIS CIRCUIT IS PROPRIETARY TO ANALOG DEVICES AND SUPPLIED FOR USE WITH ANALOG DEVICES PARTS.		APP ENG.	ERIC.H	IC NO. LTC3637EMSE#TRPBF	SCHEMATIC NO. AND REVISION: EVAL-LTC9101-3-MB-AZ_REV01
		SIZE: N/A	DATE:		SHEET 9 OF 13

UPPER ROW

ECO	REV	DESCRIPTION	APPROVED	DATE
	1			



LOWER ROW

NOTE: UNLESS OTHERWISE SPECIFIED


1. ALL RESISTORS AND CAPACITORS ARE 0603.
2. INSTALL SHUNTS AS SHOWN.

<Core Design>


CUSTOMER NOTICE
 ANALOG DEVICES HAS MADE A BEST EFFORT TO DESIGN A CIRCUIT THAT MEETS CUSTOMER-SUPPLIED SPECIFICATIONS; HOWEVER, IT REMAINS THE CUSTOMER'S RESPONSIBILITY TO VERIFY PROPER AND RELIABLE OPERATION IN THE ACTUAL APPLICATION. COMPONENT SUBSTITUTION AND PRINTED CIRCUIT BOARD LAYOUT MAY SIGNIFICANTLY AFFECT CIRCUIT PERFORMANCE OR RELIABILITY. CONTACT ANALOG DEVICES APPLICATIONS ENGINEERING FOR ASSISTANCE.

THIS CIRCUIT IS PROPRIETARY TO ANALOG DEVICES AND SUPPLIED FOR USE WITH ANALOG DEVICES PARTS.

APPROVALS	
PCB DES.	KENM
APP ENG.	ERIC.H



www.analog.com



Phone: (408)432-1900

TITLE: SCHEMATIC

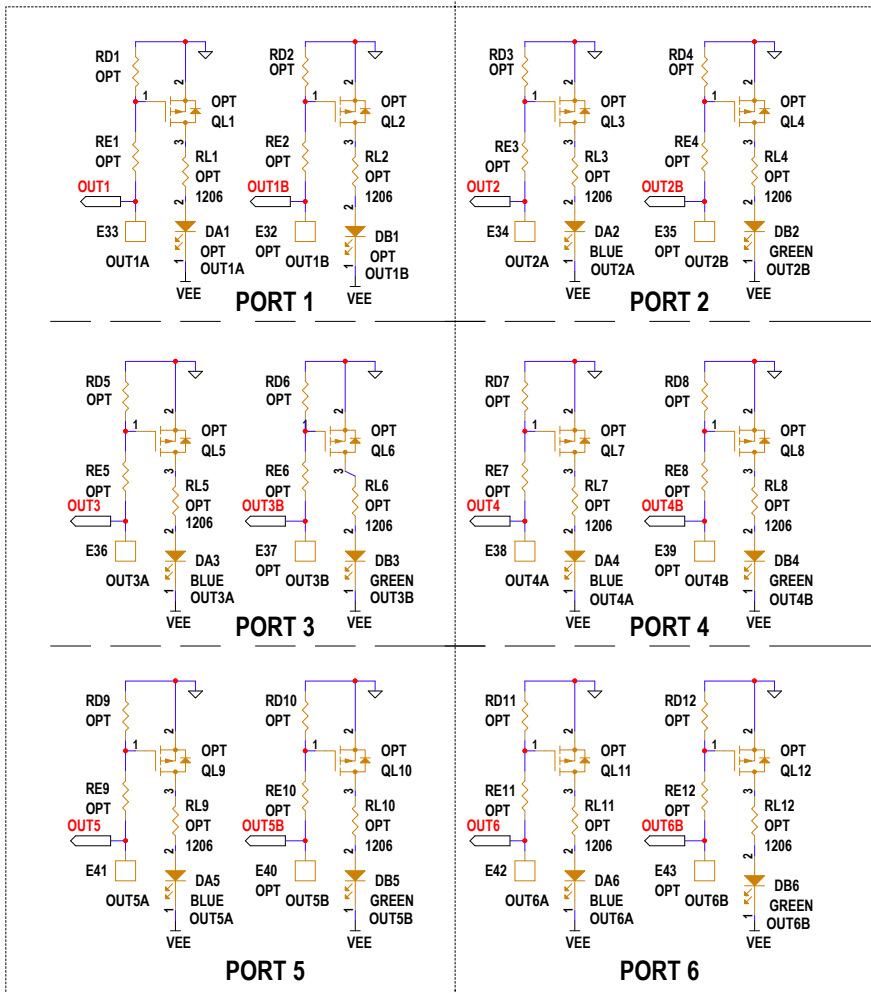
16-PORT IEEE 802.3at PSE MOTHER BOARD

IC NO.	LTC3637EMSE#TRPBF	SCHMATIC NO. AND REVISION:	EWAL-LTC9101-3-MB-AZ_REV01
SKU NO.	EWAL-LTC9101-3-MB-AZ		
SIZE:	N/A	DATE:	

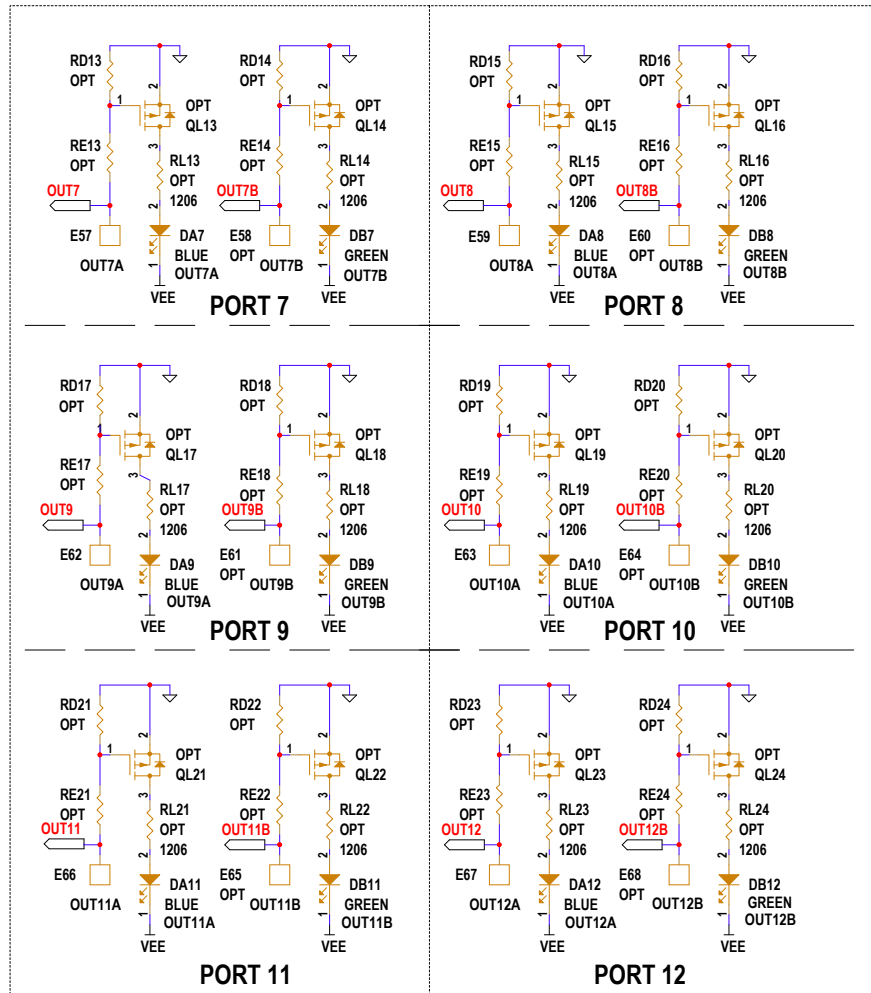
SHEET 10 OF 13

REVISION HISTORY				
ECO	REV	DESCRIPTION	APPROVED	DATE
	1			

OPTIONAL PORT LED DRIVERS - PORTS 1 TO 6



OPTIONAL PORT LED DRIVERS - PORTS 7 - 12



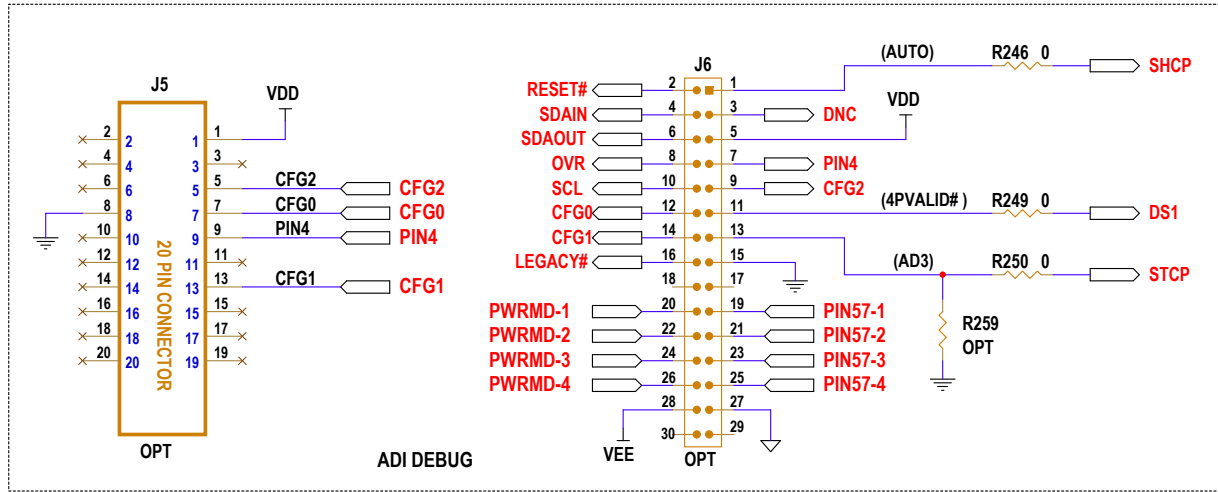
NOTE: UNLESS OTHERWISE SPECIFIED

1. ALL RESISTORS AND CAPACITORS ARE 0603.
2. INSTALL SHUNTS AS SHOWN.

<Core Design>

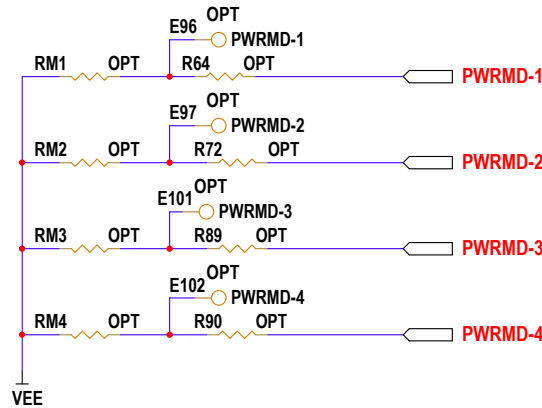
CUSTOMER NOTICE		APPROVALS		ANALOG DEVICES www.analog.com	POWER BY LINEAR Phone: (408)432-1900
ANALOG DEVICES HAS MADE A BEST EFFORT TO DESIGN A CIRCUIT THAT MEETS CUSTOMER-SUPPLIED SPECIFICATIONS; HOWEVER, IT REMAINS THE CUSTOMER'S RESPONSIBILITY TO VERIFY PROPER AND RELIABLE OPERATION IN THE ACTUAL APPLICATION. COMPONENT SUBSTITUTION AND POWERED CIRCUIT BOARD LAYOUT MAY SIGNIFICANTLY AFFECT CIRCUIT PERFORMANCE OR RELIABILITY. CONTACT ANALOG DEVICES APPLICATIONS ENGINEERING FOR ASSISTANCE.		PCB DES.	KENM		
THIS CIRCUIT IS PROPRIETARY TO ANALOG DEVICES AND SUPPLIED FOR USE WITH ANALOG DEVICES PARTS.		APP ENG.	ERIC.H	IC NO. LTC3637EMSE#TRPBF	SCHEMATIC NO. AND REVISION: EVAL-LTC9101-3-MB-AZ_REV01
		SIZE: N/A	DATE:		SHEET 11 OF 13

HARDWARE AND OPTIONAL COMPONENTS



PCA ADDITIONAL PARTS

MP1	STANDOFF,NYLON,SNAP-ON,0.75" (19.1mm)
MP2	STANDOFF,NYLON,SNAP-ON,0.75" (19.1mm)
MP3	STANDOFF,NYLON,SNAP-ON,0.75" (19.1mm)
MP4	STANDOFF,NYLON,SNAP-ON,0.75" (19.1mm)
MP5	STANDOFF,NYLON,SNAP-ON,0.75" (19.1mm)
MP6	STANDOFF,NYLON,SNAP-ON,0.75" (19.1mm)
MP7	STANDOFF,NYLON,SNAP-ON,0.75" (19.1mm)
MP8	STANDOFF,NYLON,SNAP-ON,0.75" (19.1mm)
MP9	STANDOFF,NYLON,SNAP-ON,0.75" (19.1mm)
LB1	BOARD S/N LABEL 895-0154
PCB1	PCB, DC3017A REV03 (MAO BANG)



NOTE: UNLESS OTHERWISE SPECIFIED

1. INSTALL SHUNTS AS SHOWN.

CUSTOMER NOTICE

ANALOG DEVICES HAS MADE A BEST EFFORT TO DESIGN A CIRCUIT THAT MEETS CUSTOMER-SUPPLIED SPECIFICATIONS; HOWEVER, IT REMAINS THE CUSTOMER'S RESPONSIBILITY TO VERIFY PROPER AND RELIABLE OPERATION IN THE ACTUAL APPLICATION. COMPONENT SUBSTITUTION AND PRINTED CIRCUIT BOARD LAYOUT MAY SIGNIFICANTLY AFFECT CIRCUIT PERFORMANCE OR RELIABILITY. CONTACT ANALOG DEVICES APPLICATIONS ENGINEERING FOR ASSISTANCE.

THIS CIRCUIT IS PROPRIETARY TO ANALOG DEVICES AND SUPPLIED FOR USE WITH ANALOG DEVICES PARTS.

APPROVALS

PCB DES.	KEN.M
APP ENG.	ERIC.H



www.analog.com

Phone: (408)432-1900

TITLE: SCHEMATIC

16-PORT IEEE 802.3at PSE MOTHER BOARD

IC NO. LTC3637EMSE#TRPBF
SKU NO. EVAL-LTC9101-3-MB-AZ

SCHEMATIC NO. AND REVISION:
EVAL-LTC9101-3-MB-AZ_REV01

SIZE: N/A DATE:

SHEET 13 OF 13