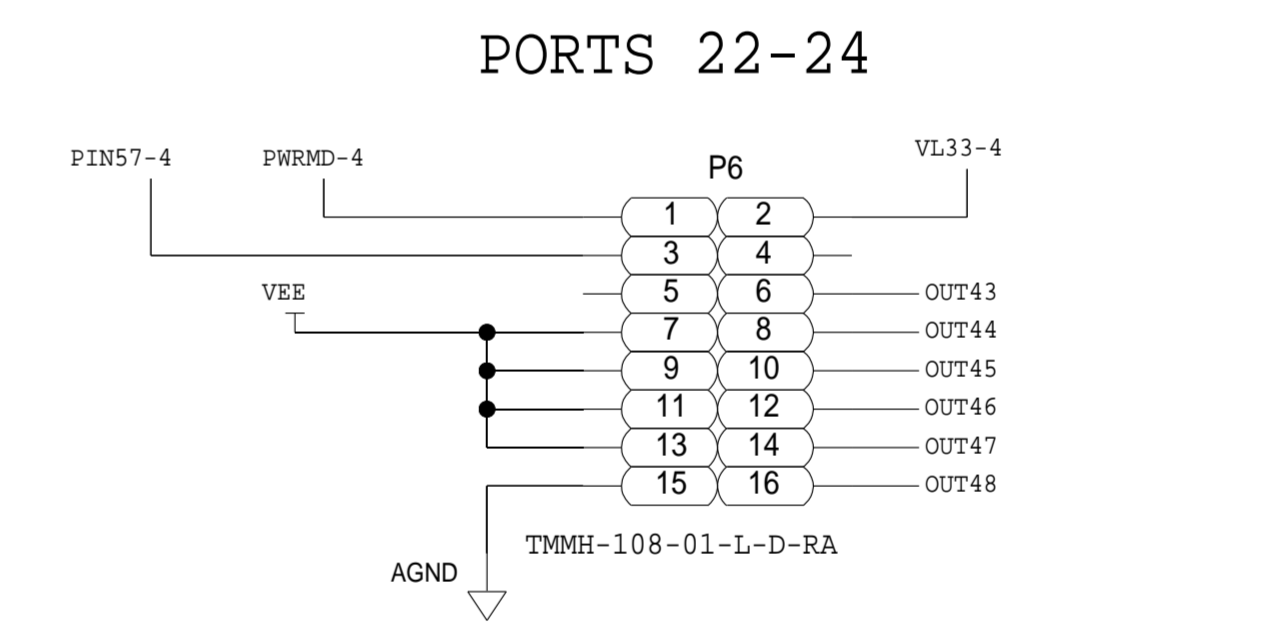
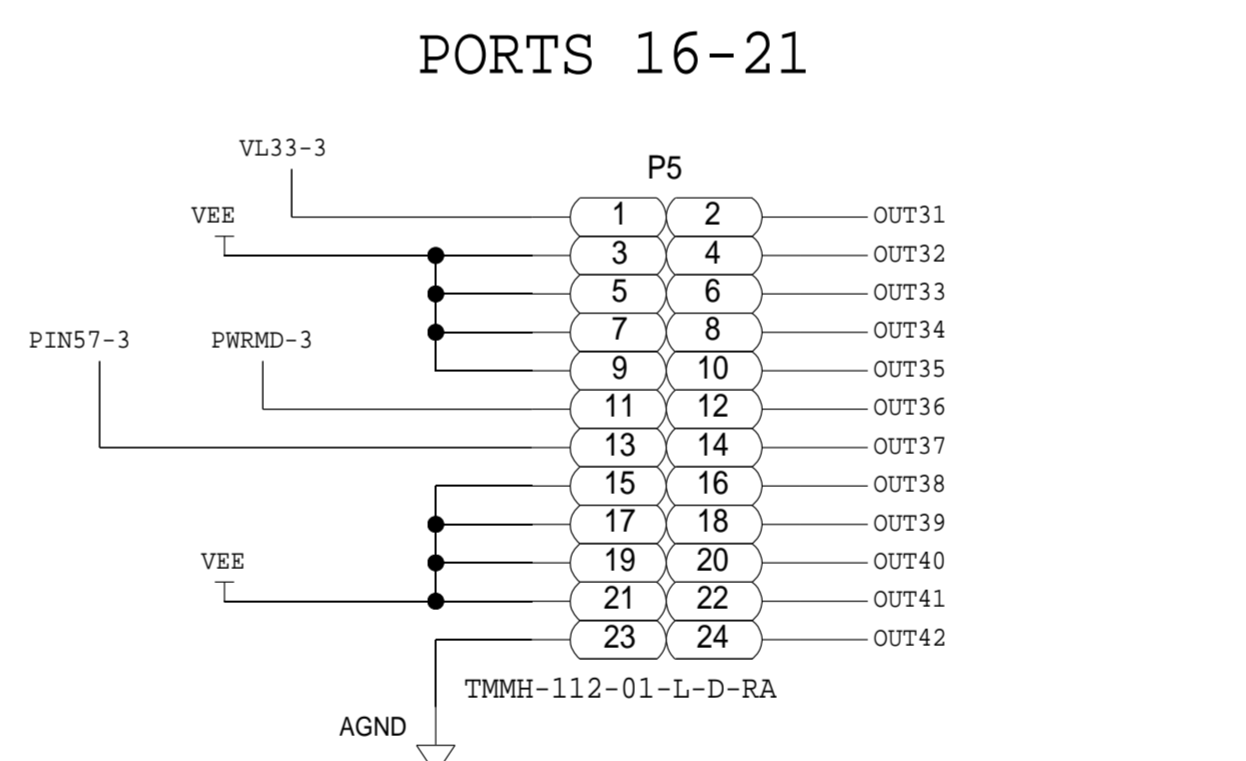
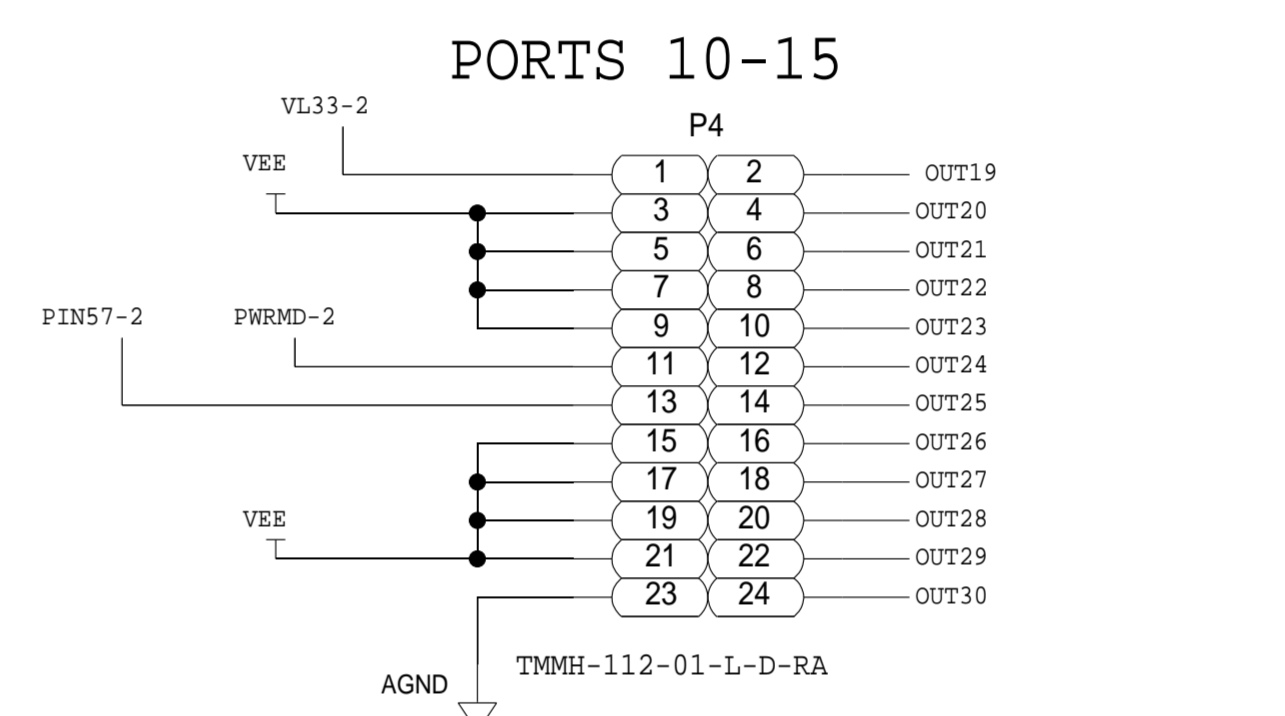
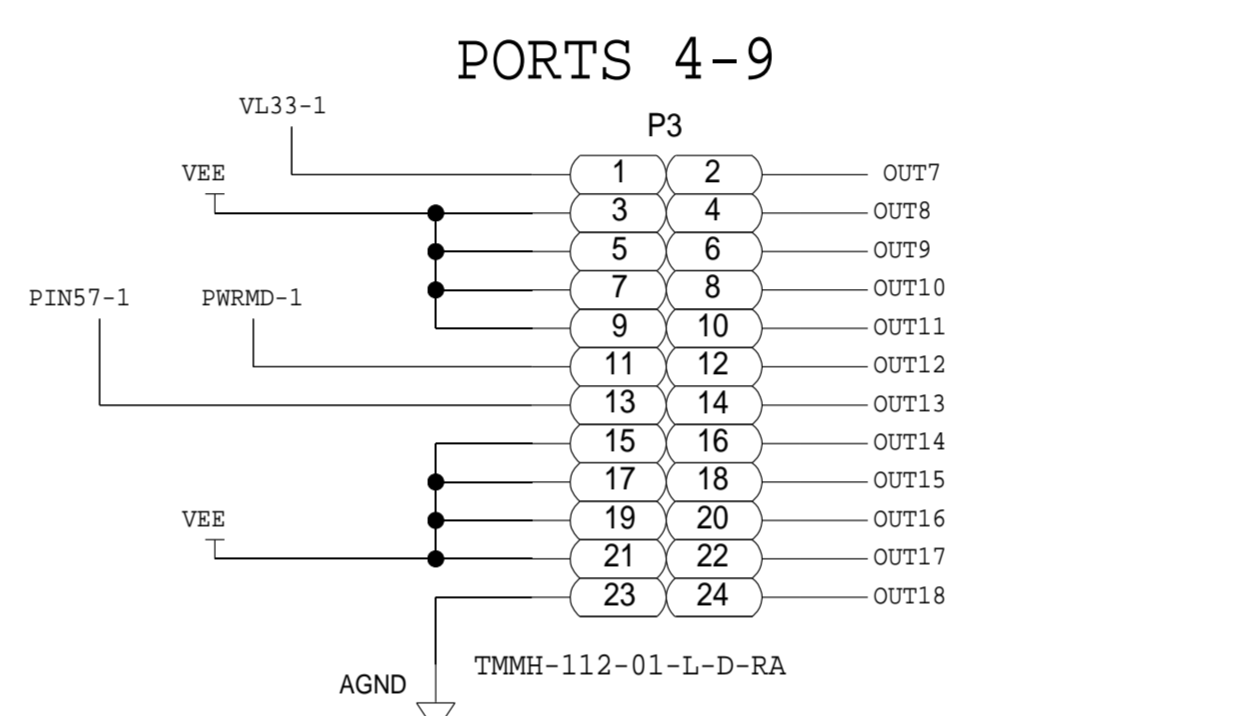
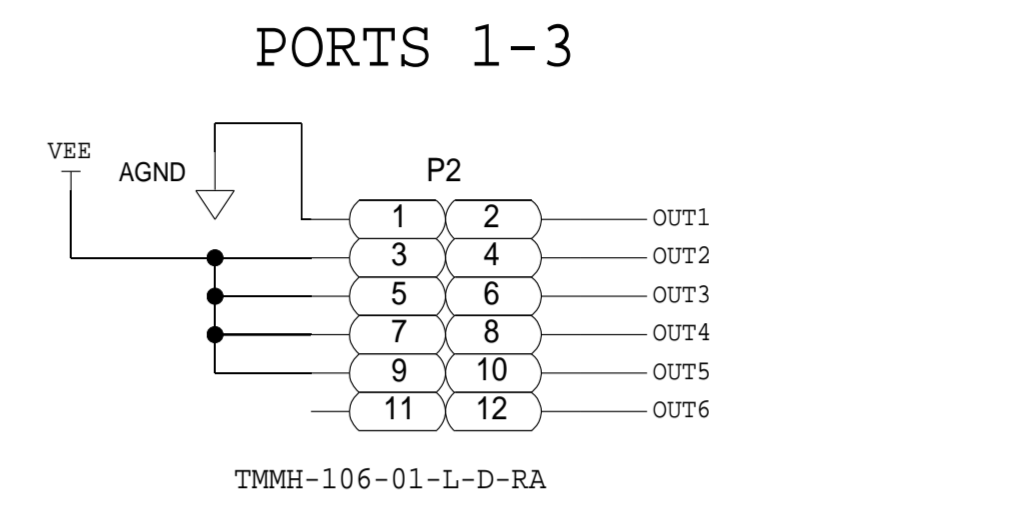
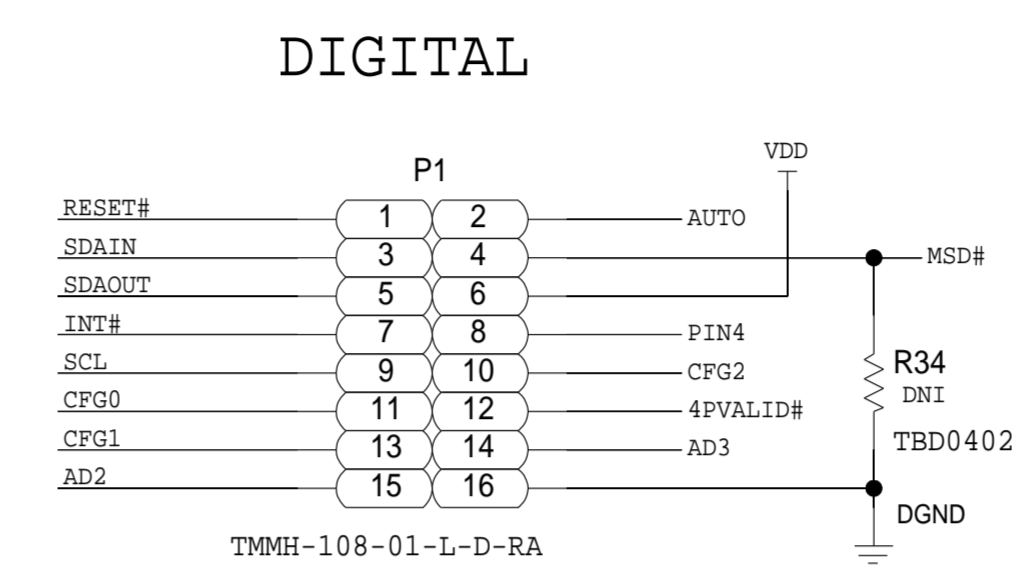
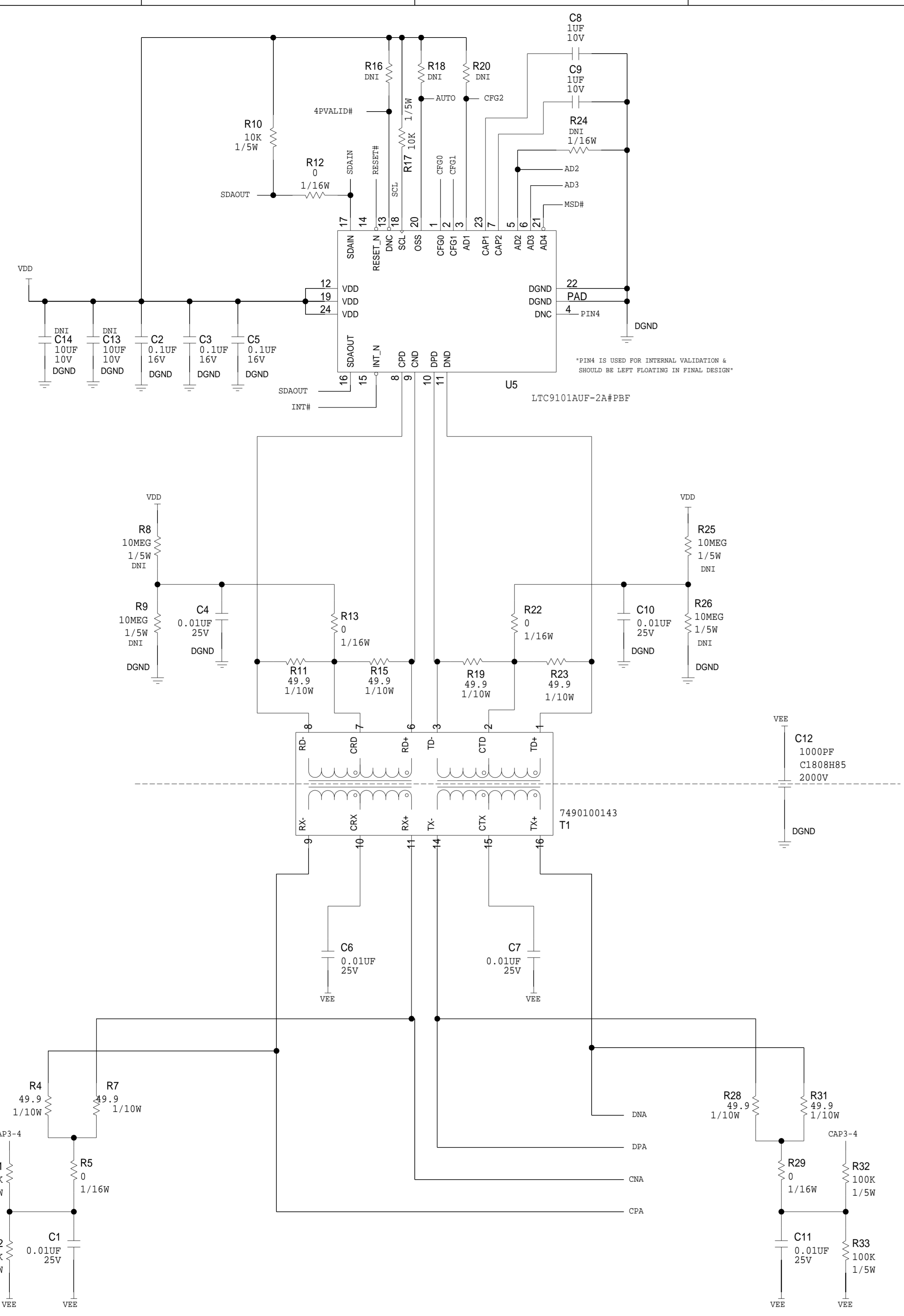


REVISIONS			
REV	DESCRIPTION	DATE	APPROVED



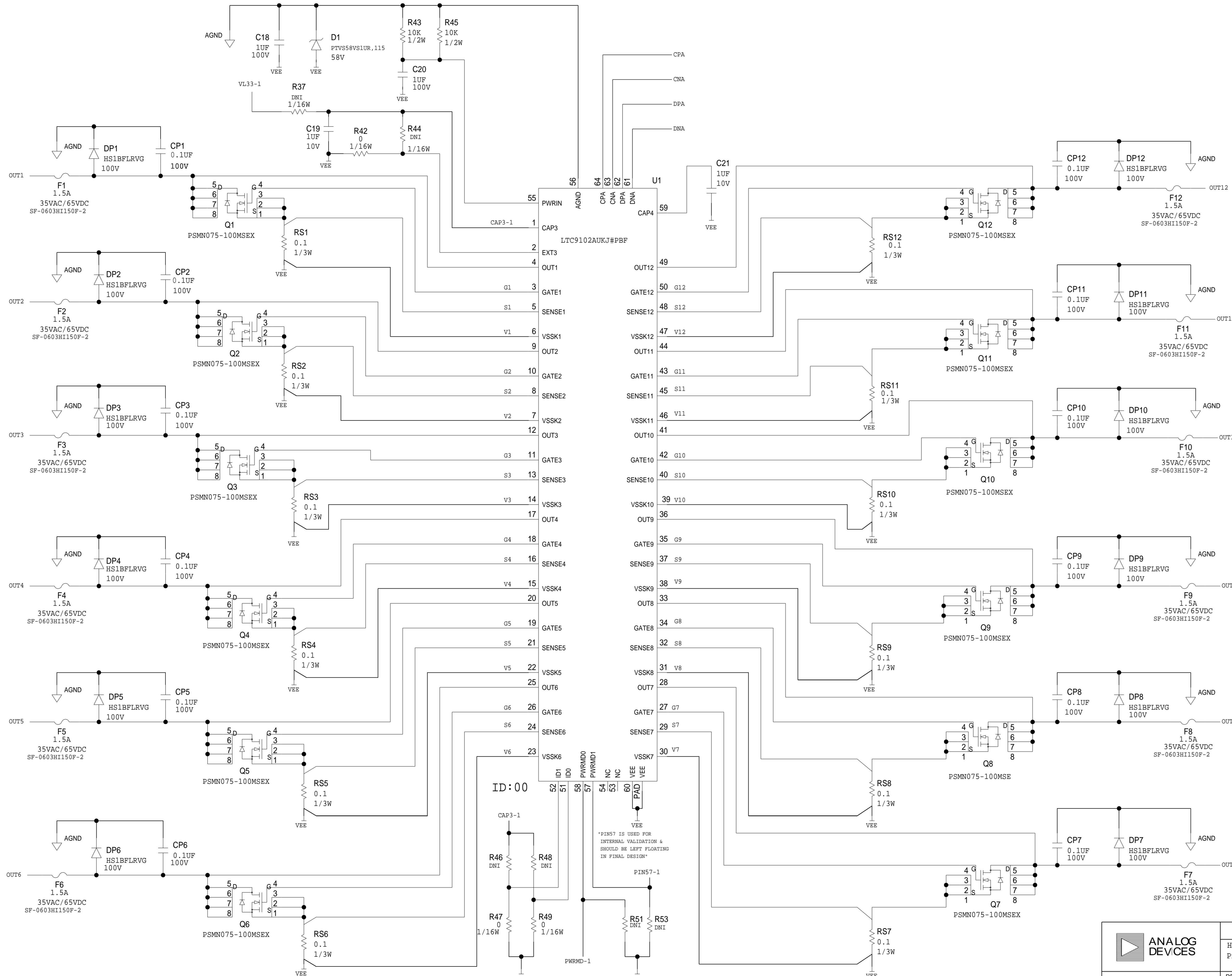
SCHEMATIC			
		HW TYPE : Customer Evaluation Z Product(s) : LTC9101-1/LTC9102 : ADI DEMO BOARD	
DESIGN VIEW <DESIGN_VIEW>	DRAWING NO. 02_059470	REV D	
PTD ENGINEER D. REYES	SIZE D	SCALE 1:1	SHEET 2 OF 6

D
C
B
A

D
C
B
A

8 7 6 5 4 3 2 1

REVISIONS			
REV	DESCRIPTION	DATE	APPROVED



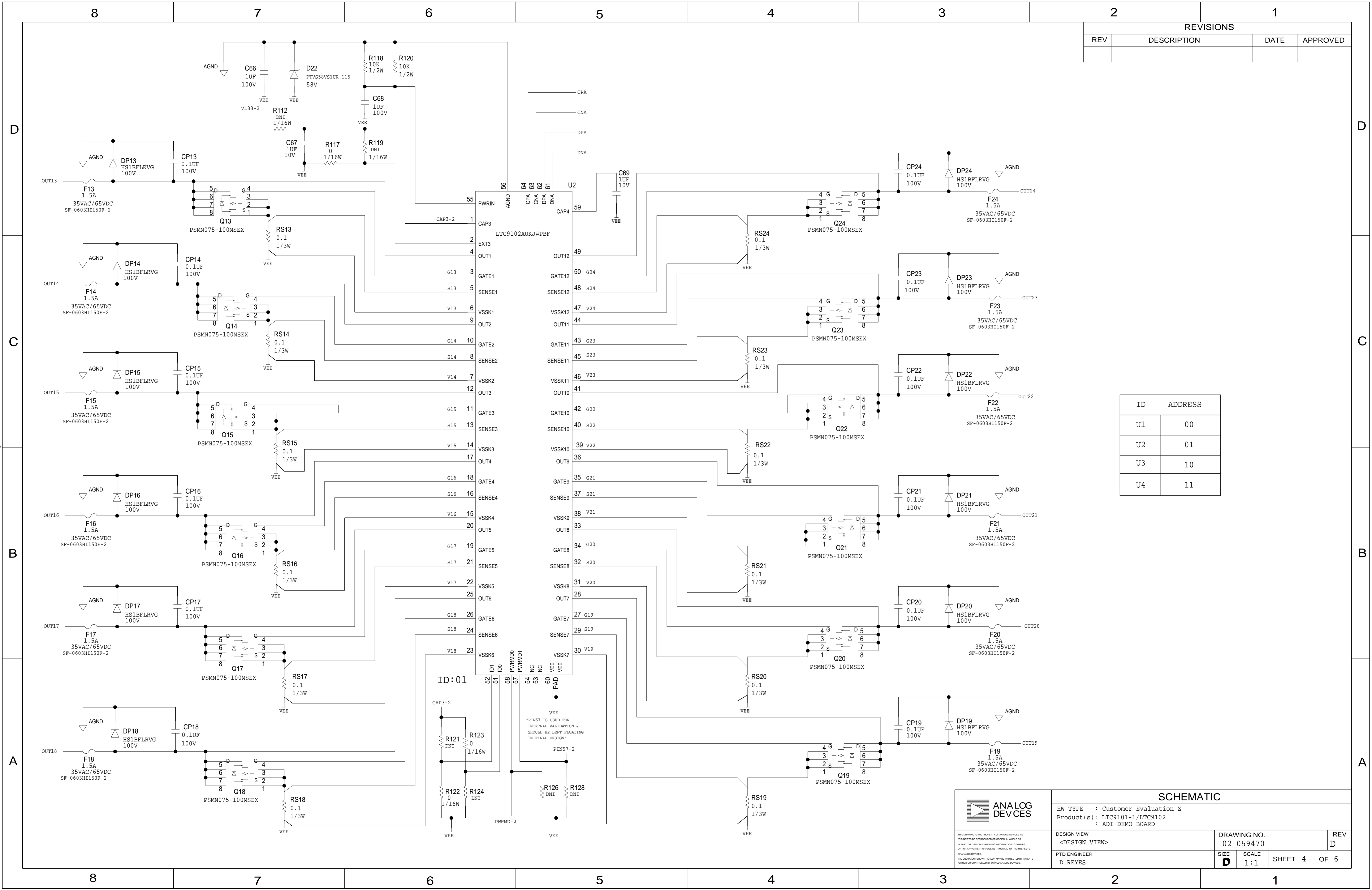
ID	ADDRESS
U1	00
U2	01
U3	10
U4	11

	SCHEMATIC		
	HW TYPE : Customer Evaluation Z Product(s) : LTC9101-1/LTC9102 : ADI DEMO BOARD		
	DESIGN VIEW <DESIGN_VIEW>	DRAWING NO. 02_059470	REV D
PTD ENGINEER D. REYES	SIZE D	SCALE 1:1	SHEET 3 OF 6

PINS7 IS USED FOR INTERNAL VALIDATION & SHOULD BE LEFT FLOATING IN FINAL DESIGN

ID: 00

REVISIONS			
REV	DESCRIPTION	DATE	APPROVED



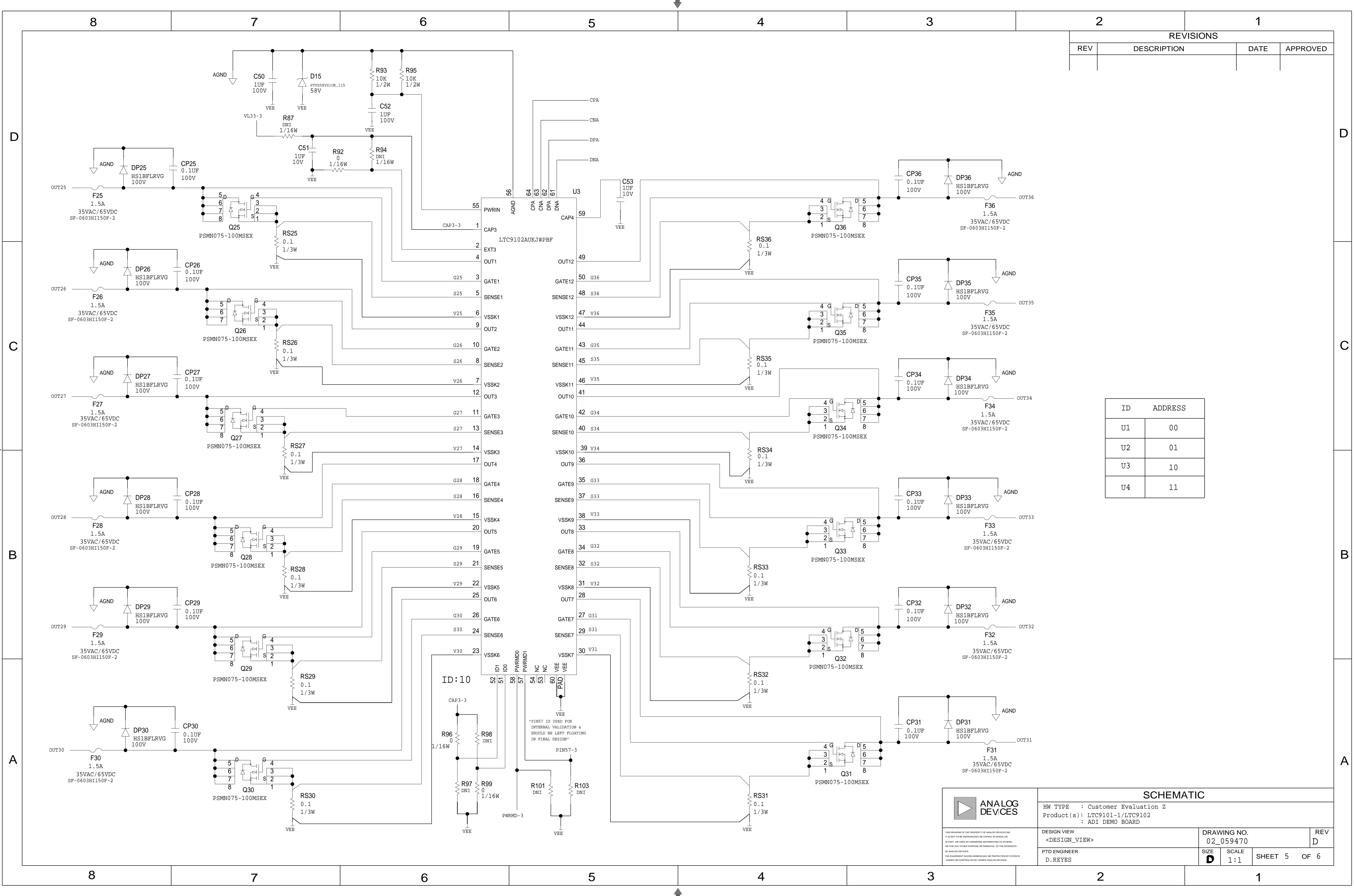
ID	ADDRESS
U1	00
U2	01
U3	10
U4	11

	SCHEMATIC		
	HW TYPE : Customer Evaluation Z Product(s) : LTC9101-1/LTC9102 : ADI DEMO BOARD		
DESIGN VIEW <DESIGN_VIEW>	DRAWING NO. 02_059470	REV D	
PTD ENGINEER D. REYES	SIZE D	SCALE 1:1	SHEET 4 OF 6

PINS7 IS USED FOR INTERNAL VALIDATION & SHOULD BE LEFT FLOATING IN FINAL DESIGN

ID:01

REVISIONS			
REV	DESCRIPTION	DATE	APPROVED



ID	ADDRESS
U1	00
U2	01
U3	10
U4	11

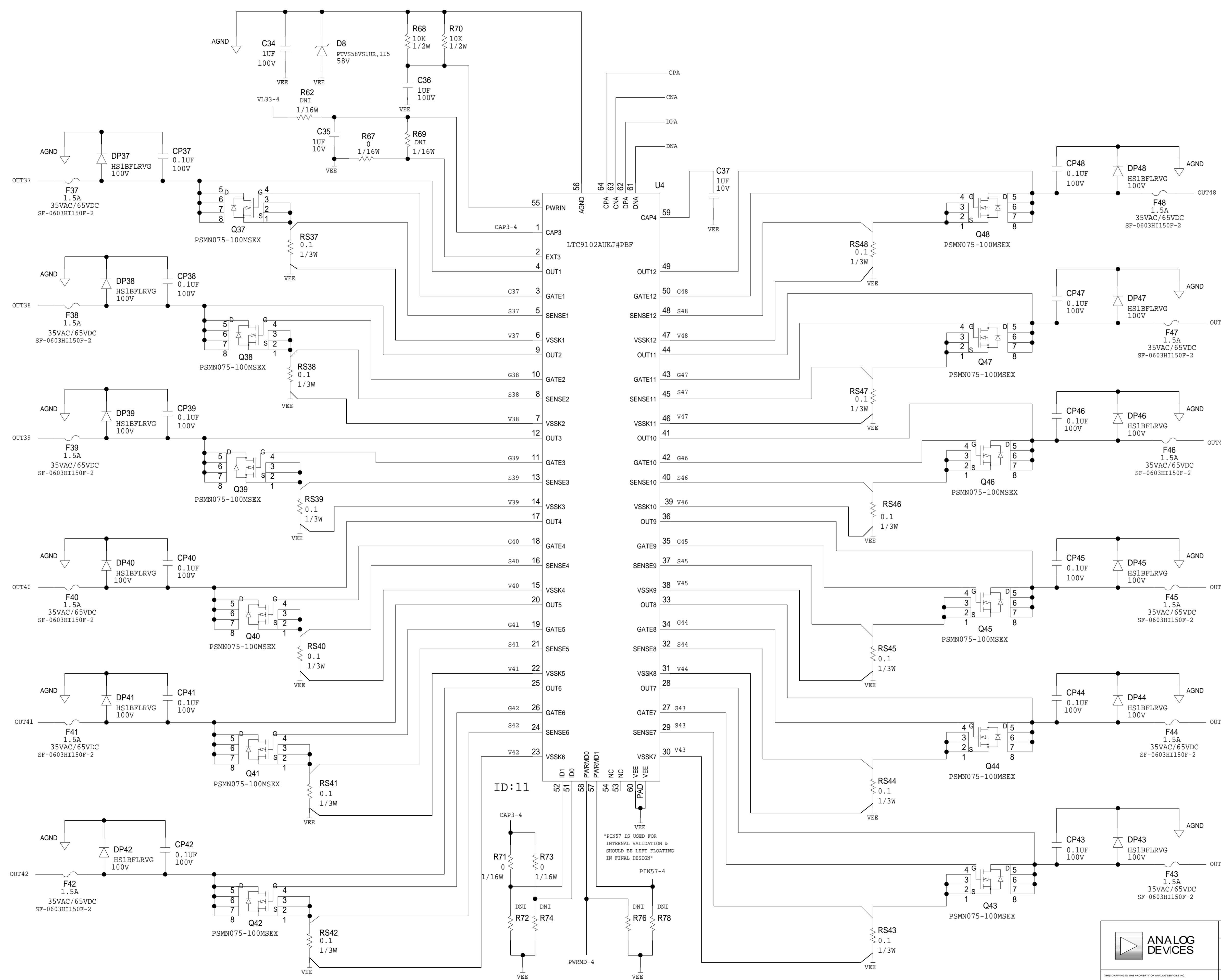
	SCHEMATIC		
	HW TYPE : Customer Evaluation Z Product(s) : LTC9101-1/LTC9102 : ADI DEMO BOARD		
DESIGN VIEW <DESIGN_VIEW>	DRAWING NO. 02_059470	REV D	
PTD ENGINEER D. REYES	SIZE D	SCALE 1:1	SHEET 5 OF 6

ID:10

PIN57 IS USED FOR INTERNAL VALIDATION & SHOULD BE LEFT FLOATING IN FINAL DESIGN

THIS DRAWING IS THE PROPERTY OF ANALOG DEVICES INC. IT IS NOT TO BE REPRODUCED OR COPIED, IN WHOLE OR IN PART, OR USED IN FURNISHING INFORMATION TO OTHERS, OR FOR ANY OTHER PURPOSE DETRIMENTAL TO THE INTERESTS OF ANALOG DEVICES. THE EQUIPMENT SHOWN HEREIN MAY BE PROTECTED BY PATENTS OWNED OR CONTROLLED BY ANALOG DEVICES.

REVISIONS			
REV	DESCRIPTION	DATE	APPROVED



ID	ADDRESS
U1	00
U2	01
U3	10
U4	11

	SCHEMATIC		
	HW TYPE : Customer Evaluation Z Product(s) : LTC9101-1/LTC9102 : ADI DEMO BOARD		
DESIGN VIEW <DESIGN_VIEW>	DRAWING NO. 02_059470	REV D	
PTD ENGINEER D. REYES	SIZE D	SCALE 1:1	SHEET 6 OF 6

D
C
B
A

D
C
B
A

REVISION HISTORY				
ECO	REV	DESCRIPTION	APPROVED	DATE
	3			

POWER SUPPLY

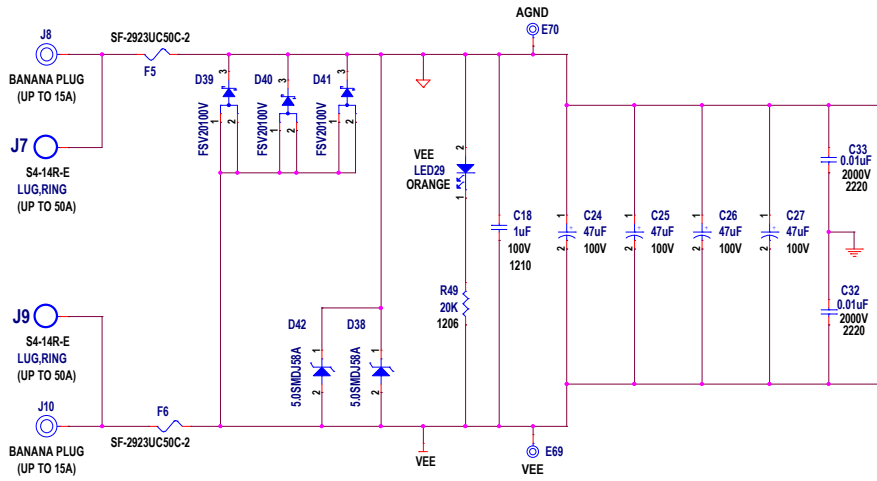
MAIN SUPPLY INPUT

OPTIONAL OVERCURRENT, OVERVOLTAGE, AND REVERSE VOLTAGE PROTECTION

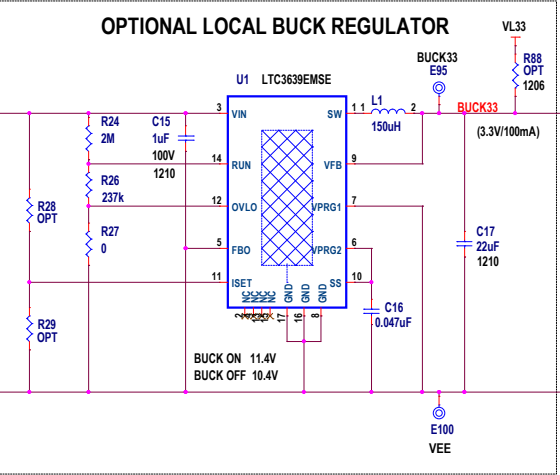
POS INPUT
+

TYPE 3: 51V - 57V
TYPE 4: 53V - 57V

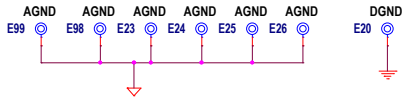
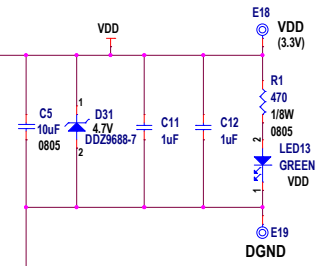
NEG INPUT
-



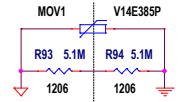
OPTIONAL LOCAL BUCK REGULATOR



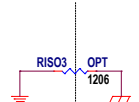
OPTIONAL ISOLATION NOTE 3.



OPTIONAL SURGE PROTECTION AND BLEEDER RESISTANCE

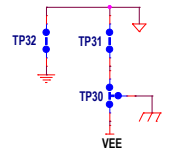


OPTIONAL ISOLATION NOTE 4.



NOTE: UNLESS OTHERWISE SPECIFIED

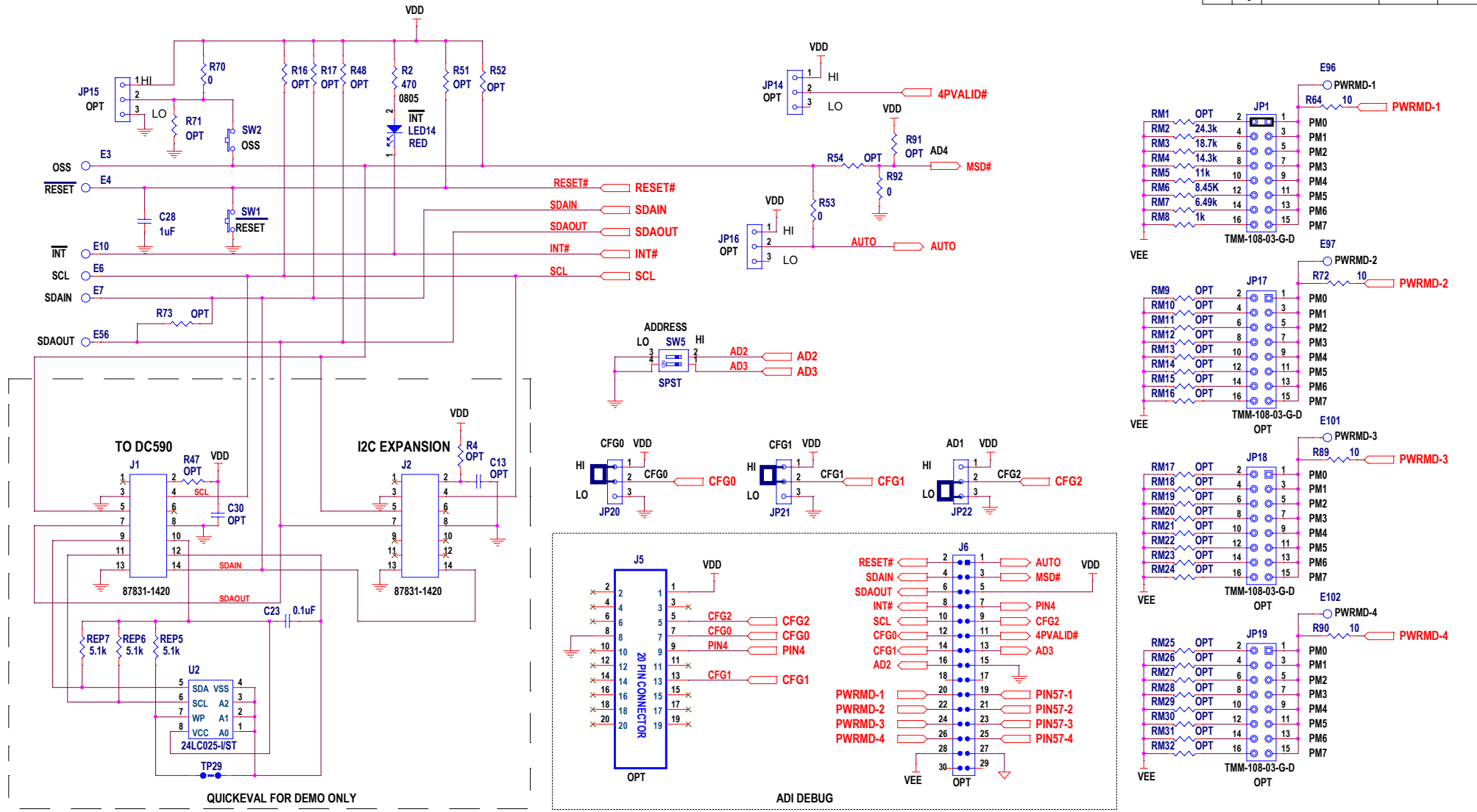
1. ALL RESISTORS AND CAPACITORS ARE 0603.
2. INSTALL SHUNTS AS SHOWN.
3. REMOVE RESISTORS TO ISOLATE DIGITAL AND ANALOG DOMAINS
4. POPULATE RESISTOR TO CONNECT DIGITAL GROUND TO CHASSIS



<p>CUSTOMER NOTICE</p> <p>ANALOG DEVICES HAS MADE A BEST EFFORT TO DESIGN A CIRCUIT THAT MEETS CUSTOMER-SUPPLIED SPECIFICATIONS; HOWEVER, IT REMAINS THE CUSTOMER'S RESPONSIBILITY TO DESIGN, PRODUCE AND VALIDATE OPERATIONS IN THE ACTUAL APPLICATION. COMPONENT SUBSTITUTION AND PRACTICE CIRCUIT BOARD LAYOUT MAY SIGNIFICANTLY AFFECT CIRCUIT PERFORMANCE OR RELIABILITY. CONTACT ANALOG DEVICES APPLICATIONS ENGINEERING FOR ASSISTANCE.</p> <p>THIS CIRCUIT IS PROPRIETARY TO ANALOG DEVICES AND SUPPLIED FOR USE WITH ANALOG DEVICES PARTS.</p>	<p>APPROVALS</p> <p>PCB DES. KEJLM</p> <p>APP ENG. ERC.H</p>	<p>ANALOG DEVICES POWER BY LINEAR</p> <p>www.analog.com Phone: (408)432-1900</p>
	<p>TITLE: SCHEMATIC</p> <p>24-PORT IEEE 802.3M PSE MOTHER BOARD</p> <p>IC NO. LTC3639EMSE#TRPBF SCHEMATIC NO. AND REVISION: 710-DC3017A-B_REV03</p> <p>SKU NO. DC3017A</p> <p>SIZE: N/A DATE: SHEET 1 OF 11</p>	

CONFIGURATIONS

REVISION HISTORY				
ECO	REV	DESCRIPTION	APPROVED	DATE
	3			

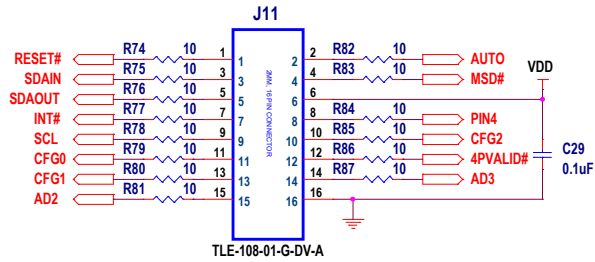


NOTE: UNLESS OTHERWISE SPECIFIED
 1. ALL RESISTORS AND CAPACITORS ARE 0603.
 2. INSTALL SHUNTS AS SHOWN.

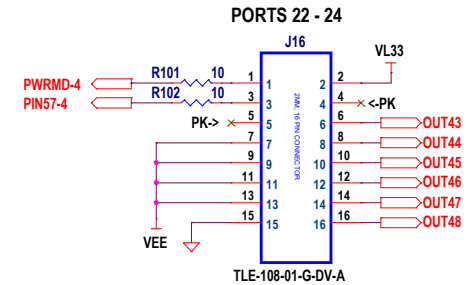
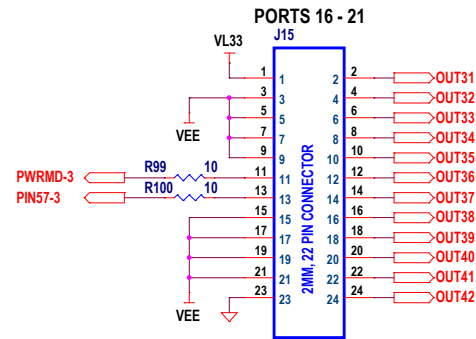
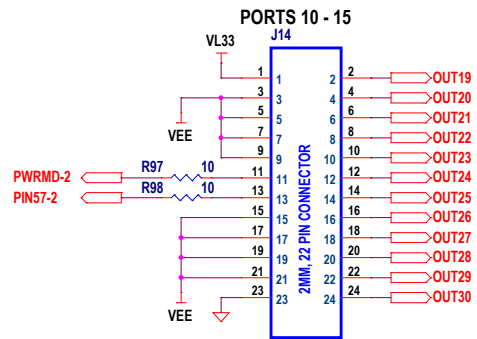
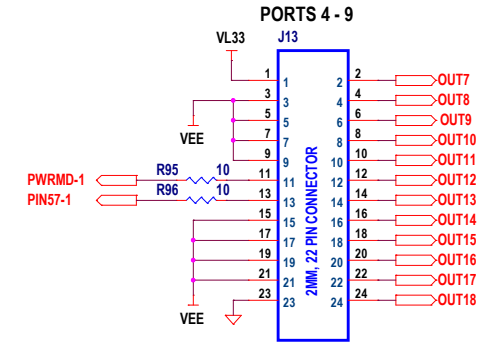
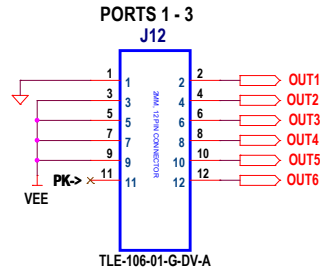
CUSTOMER NOTICE		APPROVALS		ANALOG DEVICES		POWER BY LINEAR	
ANALOG DEVICES HAS MADE A BEST EFFORT TO DESIGN A CIRCUIT THAT MEETS CUSTOMER-SUPPLIED SPECIFICATIONS; HOWEVER, IT REMAINS THE CUSTOMER'S RESPONSIBILITY TO VERIFY PROPER AND RELIABLE OPERATION IN THE ACTUAL APPLICATION. COMPONENT SUBSTITUTION AND PRINTED CIRCUIT BOARD LAYOUT MAY SIGNIFICANTLY AFFECT CIRCUIT PERFORMANCE OR RELIABILITY. CONTACT ANALOG DEVICES APPLICATIONS ENGINEERING FOR ASSISTANCE.		PCB DES.	KENM	www.analog.com		Phone: (408)432-1900	
THIS CIRCUIT IS PROPRIETARY TO ANALOG DEVICES AND SUPPLIED FOR USE WITH ANALOG DEVICES PARTS.		APP ENG.	ERIC.H				
TITLE: SCHEMATIC				24-PORT IEEE802.3bt PSE MOTHER BOARD			
IC NO. LTC3639EMSE/ITRPF		SKU NO. DC3017A		SCHEMATIC NO. AND REVISION:		710-DC3017A-B_REV03	
SIZE: N/A		DATE:		SHEET		2 OF 11	

REVISION HISTORY				
ECO	REV	DESCRIPTION	APPROVED	DATE
	3			

DIGITAL CONNECTIONS



ANALOG CONNECTIONS



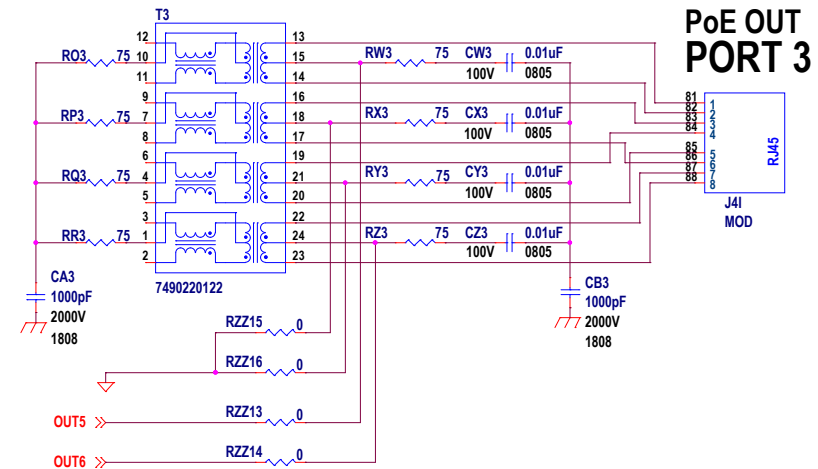
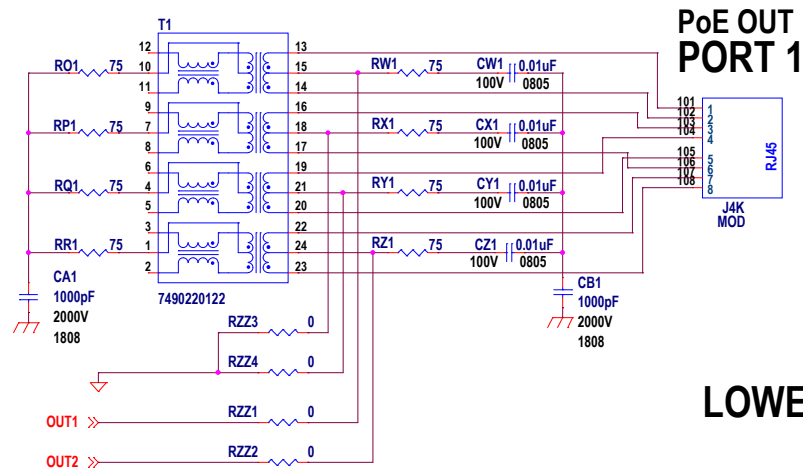
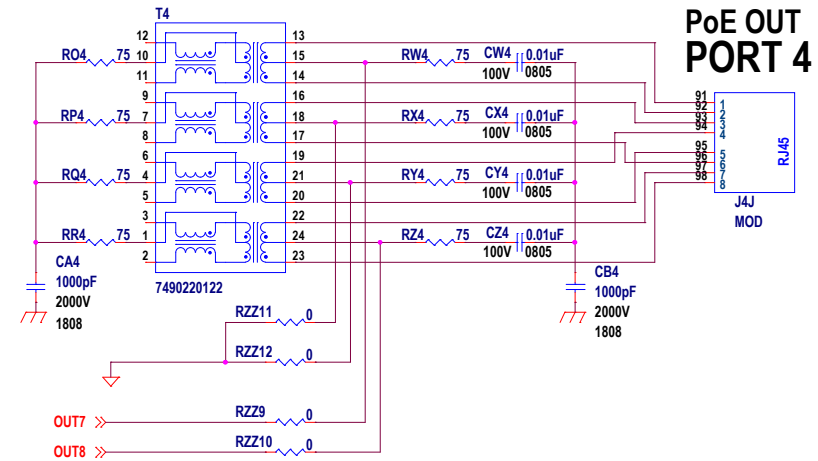
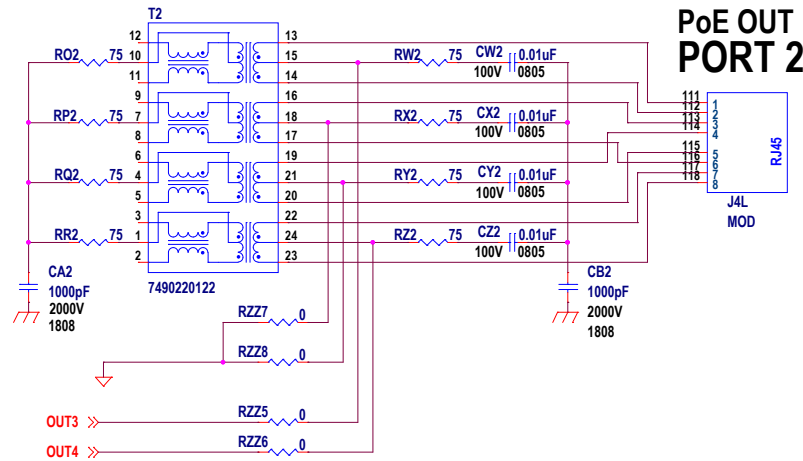
NOTE: UNLESS OTHERWISE SPECIFIED
 1. ALL RESISTORS AND CAPACITORS ARE 0603.
 2. INSTALL SHUNTS AS SHOWN.

CUSTOMER NOTICE		APPROVALS		ANALOG DEVICES		POWER BY LINEAR			
ANALOG DEVICES HAS MADE A BEST EFFORT TO DESIGN A CIRCUIT THAT MEETS CUSTOMER-SUPPLIED SPECIFICATIONS; HOWEVER, IT REMAINS THE CUSTOMER'S RESPONSIBILITY TO VERIFY PROPER AND RELIABLE OPERATION IN THE ACTUAL APPLICATION. COMPONENT SUBSTITUTION AND PRINTED CIRCUIT BOARD LAYOUT MAY SIGNIFICANTLY AFFECT CIRCUIT PERFORMANCE OR RELIABILITY. CONTACT ANALOG DEVICES APPLICATIONS ENGINEERING FOR ASSISTANCE.		PCB DES.	KEN.M	www.analog.com Phone: (408)432-1900		TITLE: SCHEMATIC 24-PORT IEEE 802.3bt PSE MOTHER BOARD			
		APP ENG.	ERIC.H						
		IC NO. LTC3639EMSE#TRPBF SKU NO. DC3017A						SCHEMATIC NO. AND REVISION: 710-DC3017A-B_REV03	
		THIS CIRCUIT IS PROPRIETARY TO ANALOG DEVICES AND SUPPLIED FOR USE WITH ANALOG DEVICES PARTS.						SIZE: N/A	DATE:

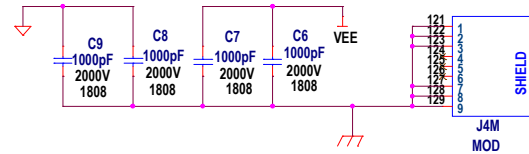
REVISION HISTORY				
ECO	REV	DESCRIPTION	APPROVED	DATE
	3			

PORTS 1 - 4

UPPER ROW



LOWER ROW

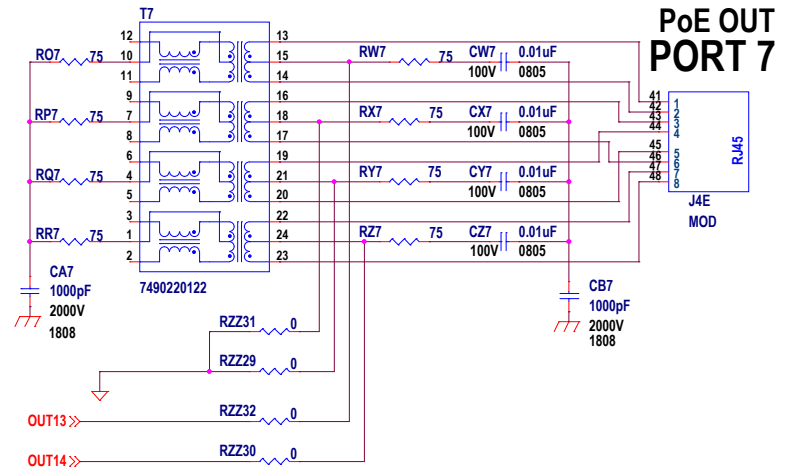
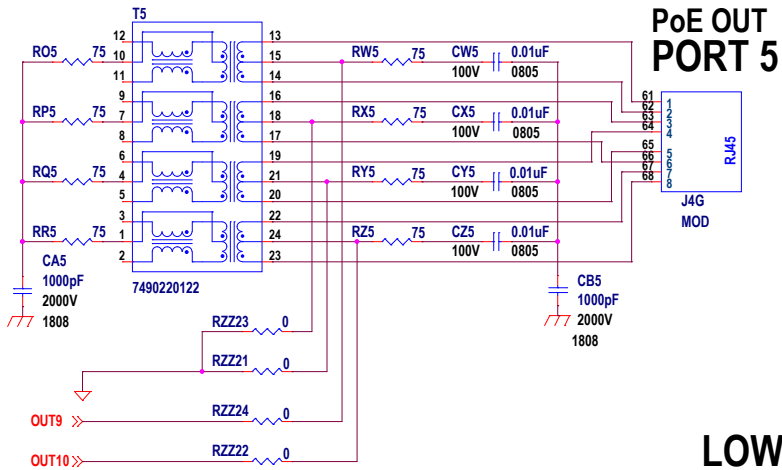
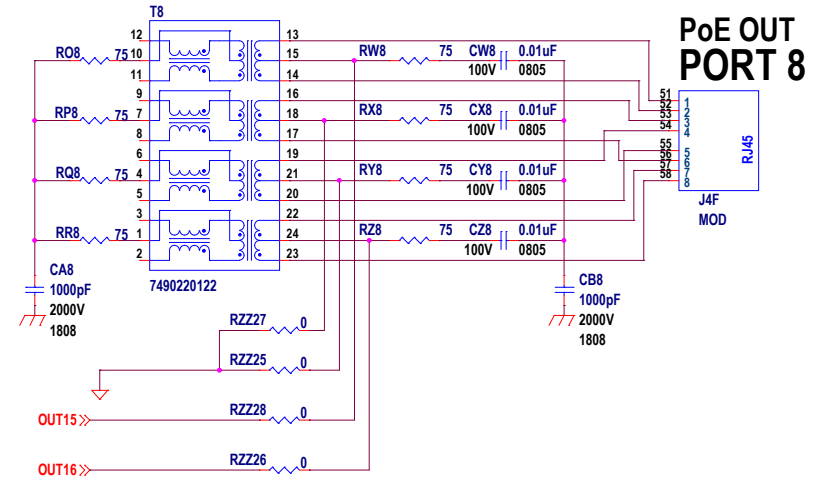
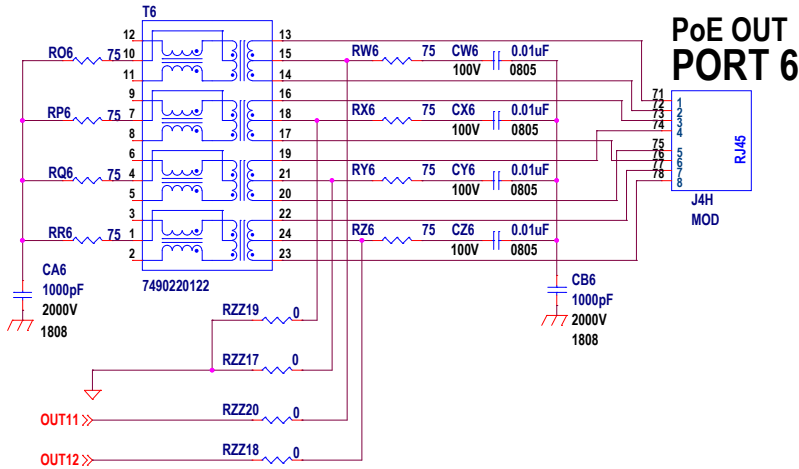


NOTE: UNLESS OTHERWISE SPECIFIED
 1. ALL RESISTORS AND CAPACITORS ARE 0603.
 2. INSTALL SHUNTS AS SHOWN.

CUSTOMER NOTICE		APPROVALS		ANALOG DEVICES		POWER BY LINEAR	
<small>ANALOG DEVICES HAS MADE A BEST EFFORT TO DESIGN A CIRCUIT THAT MEETS CUSTOMER-SUPPLIED SPECIFICATIONS; HOWEVER, IT REMAINS THE CUSTOMER'S RESPONSIBILITY TO VERIFY PROPER AND RELIABLE OPERATION IN THE ACTUAL APPLICATION. COMPONENT SUBSTITUTION AND PRINTED CIRCUIT BOARD LAYOUT MAY SIGNIFICANTLY AFFECT CIRCUIT PERFORMANCE OR RELIABILITY. CONTACT ANALOG DEVICES APPLICATIONS ENGINEERING FOR ASSISTANCE.</small>		PCB DES.	KENM			www.analog.com Phone: (408)432-1900	
		APP ENG.	ERIC.H			TITLE: SCHEMATIC	
THIS CIRCUIT IS PROPRIETARY TO ANALOG DEVICES AND SUPPLIED FOR USE WITH ANALOG DEVICES PARTS.				IC NO.	LTC3639EMSE#TRPBF	SCHEMATIC NO. AND REVISION:	
				SKU NO.	DC3017A	710-DC3017A-B_REV03	
		SIZE:	N/A	DATE:		SHEET 4 OF 11	

UPPER ROW

REVISION HISTORY		APPROVED	DATE
ECO	REV	DESCRIPTION	
	3		



LOWER ROW

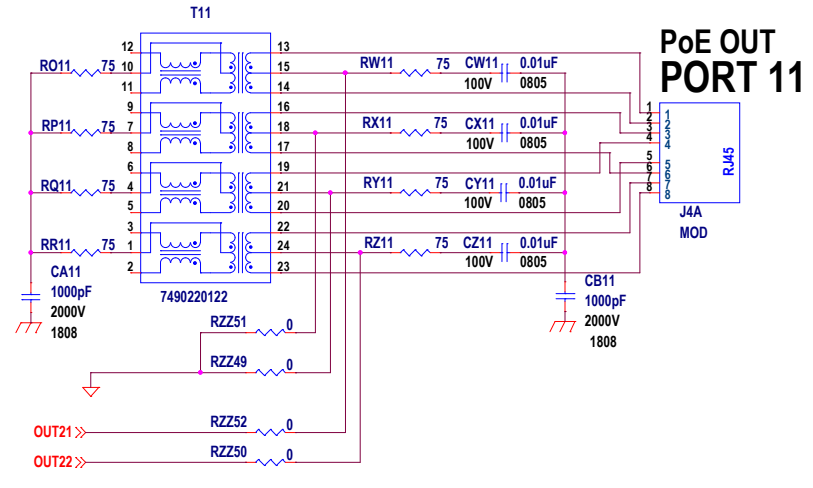
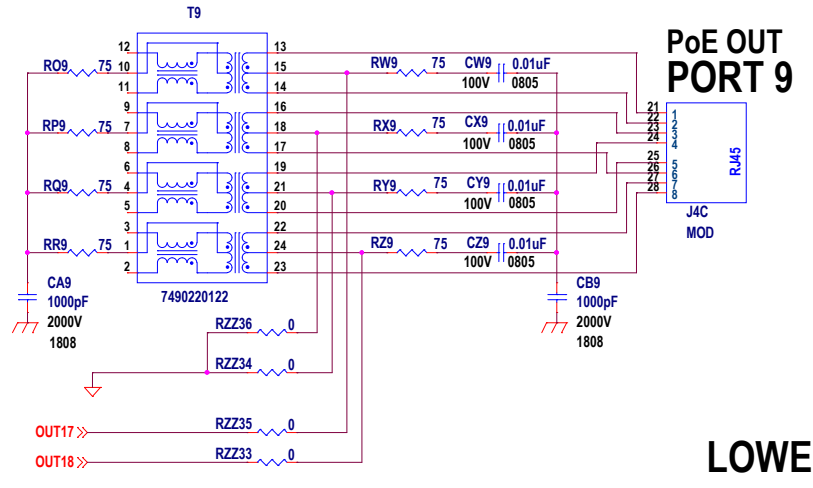
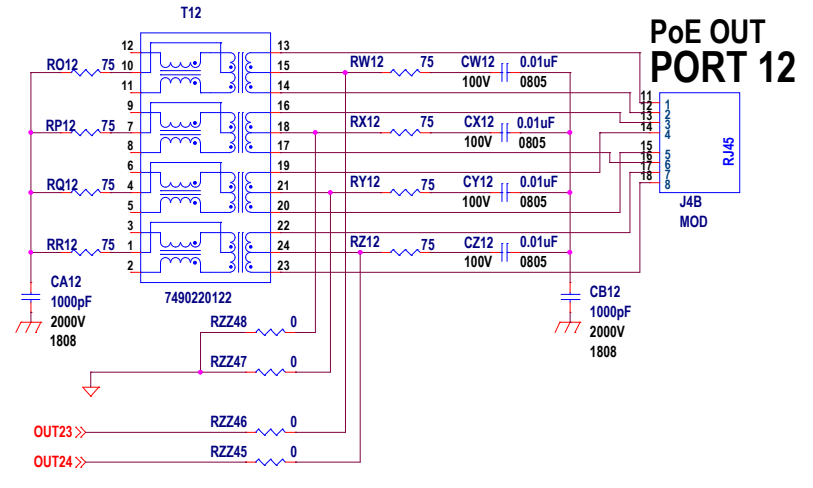
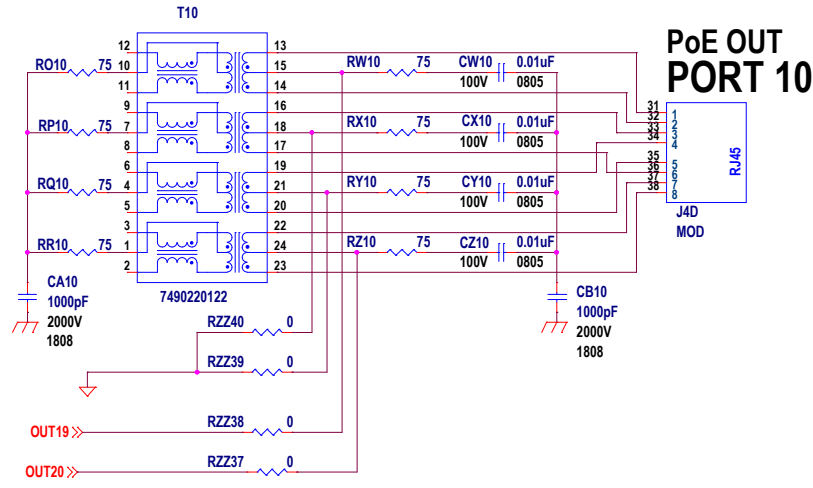
NOTE: UNLESS OTHERWISE SPECIFIED

1. ALL RESISTORS AND CAPACITORS ARE 0603.
2. INSTALL SHUNTS AS SHOWN.

CUSTOMER NOTICE		APPROVALS		ANALOG DEVICES		POWER BY LINEAR	
ANALOG DEVICES HAS MADE A BEST EFFORT TO DESIGN A CIRCUIT THAT MEETS CUSTOMER-SUPPLIED SPECIFICATIONS; HOWEVER, IT REMAINS THE CUSTOMER'S RESPONSIBILITY TO VERIFY PROPER AND RELIABLE OPERATION IN THE ACTUAL APPLICATION. COMPONENT SUBSTITUTION AND PRINTED CIRCUIT BOARD LAYOUT MAY SIGNIFICANTLY AFFECT CIRCUIT PERFORMANCE OR RELIABILITY. CONTACT ANALOG DEVICES APPLICATIONS ENGINEERING FOR ASSISTANCE.		PCB DES.	KEN.M	www.analog.com		Phone: (408)432-1900	
		APP ENG.	ERIC.H				
THIS CIRCUIT IS PROPRIETARY TO ANALOG DEVICES AND SUPPLIED FOR USE WITH ANALOG DEVICES PARTS.				TITLE: SCHEMATIC		24-PORT IEEE802.3bt PSE MOTHER BOARD	
				IC NO. LTC3695EMSE#TRPBF		SCHEMATIC NO. AND REVISION:	
				SKU NO. DC3017A		710-DC3017A-B_REV03	
				SIZE: N/A		DATE:	
						SHEET 5 OF 11	

UPPER ROW

REVISION HISTORY				
ECO	REV	DESCRIPTION	APPROVED	DATE
	3			



LOWER ROW

NOTE: UNLESS OTHERWISE SPECIFIED

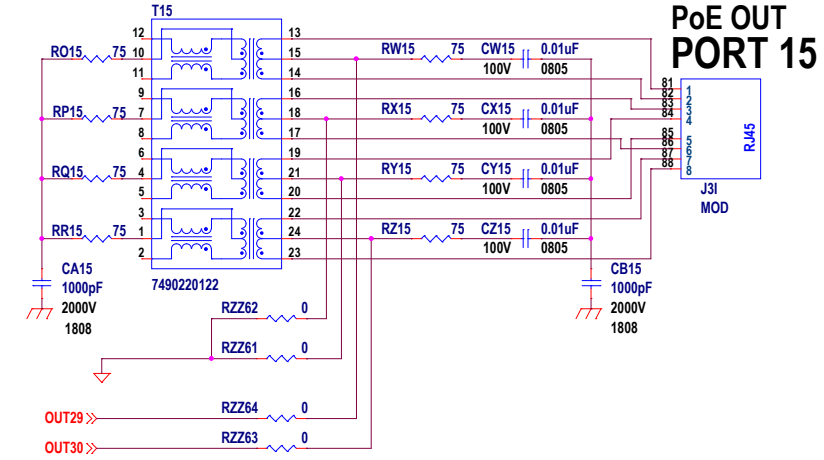
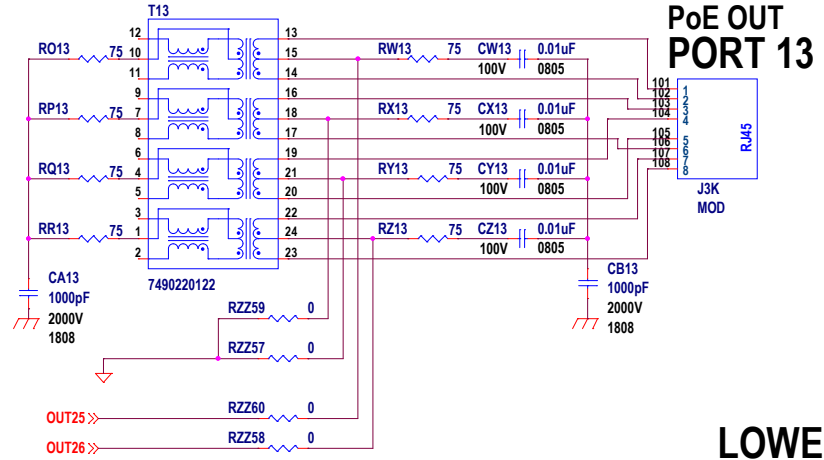
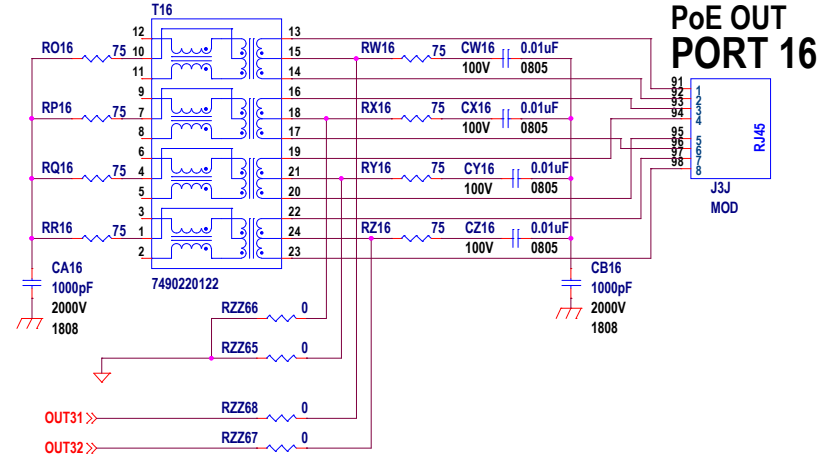
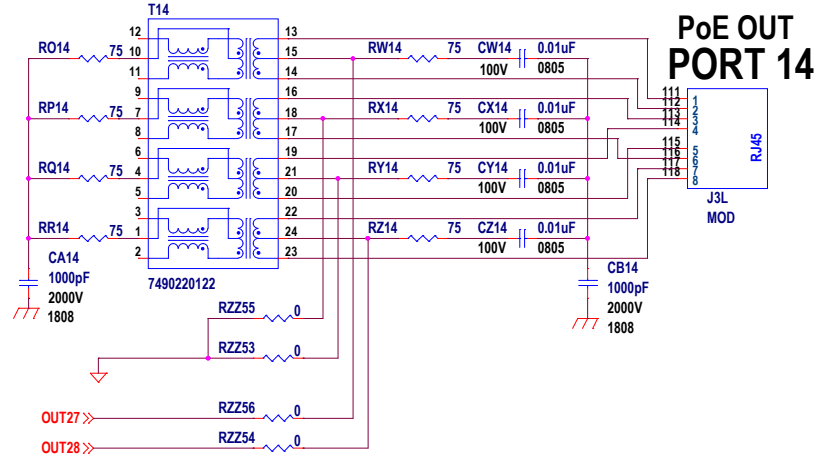
1. ALL RESISTORS AND CAPACITORS ARE 0603.
2. INSTALL SHUNTS AS SHOWN.

CUSTOMER NOTICE		APPROVALS		ANALOG DEVICES		POWER BY LINEAR	
ANALOG DEVICES HAS MADE A BEST EFFORT TO DESIGN A CIRCUIT THAT MEETS CUSTOMER-SUPPLIED SPECIFICATIONS; HOWEVER, IT REMAINS THE CUSTOMER'S RESPONSIBILITY TO VERIFY PROPER AND RELIABLE OPERATION IN THE ACTUAL APPLICATION. COMPONENT SUBSTITUTION AND PRINTED CIRCUIT BOARD LAYOUT MAY SIGNIFICANTLY AFFECT CIRCUIT PERFORMANCE OR RELIABILITY. CONTACT ANALOG DEVICES APPLICATIONS ENGINEERING FOR ASSISTANCE.		PCB DES.	KENM	www.analog.com		Phone: (408)432-1900	
THIS CIRCUIT IS PROPRIETARY TO ANALOG DEVICES AND SUPPLIED FOR USE WITH ANALOG DEVICES PARTS.		APP ENG.	ERIC.H	TITLE: SCHEMATIC		24-PORT IEEE802.3bt PSE MOTHER BOARD	
				IC NO. LTC3639EMSE#TRPBF		SCHEMATIC NO. AND REVISION:	
				SKU NO. DC3017A		710-DC3017A-B_REV03	
				SIZE: N/A		DATE:	
						SHEET 6 OF 11	

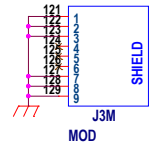
REVISION HISTORY				
ECO	REV	DESCRIPTION	APPROVED	DATE
	3			

PORTS 13 - 16

UPPER ROW



LOWER ROW

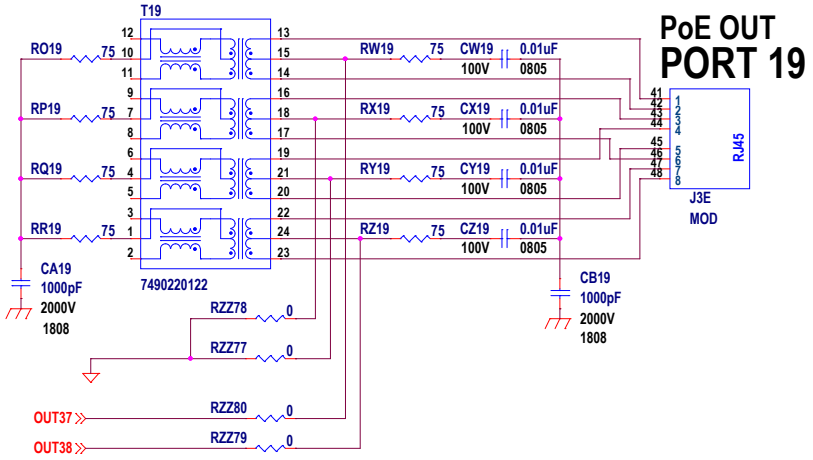
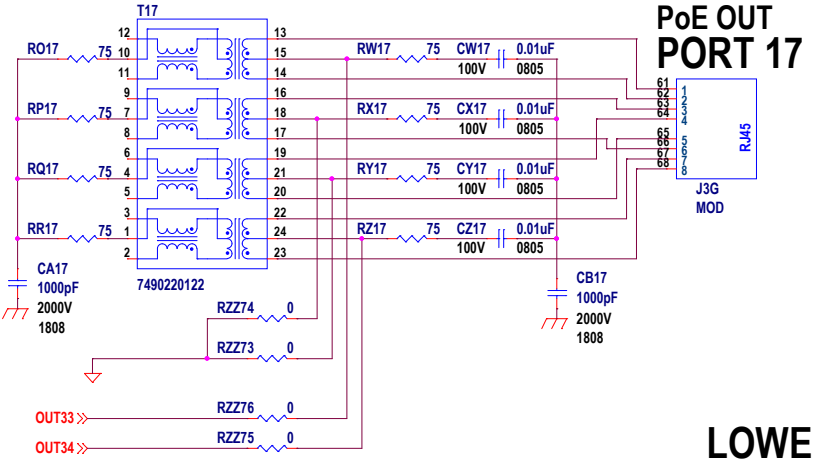
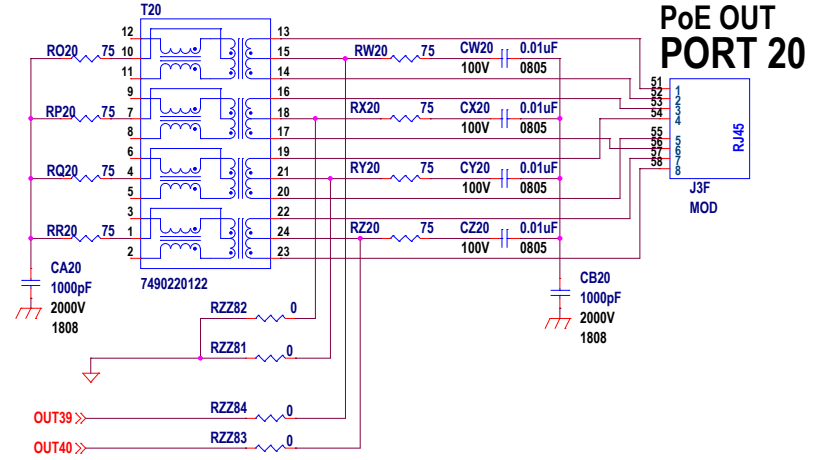
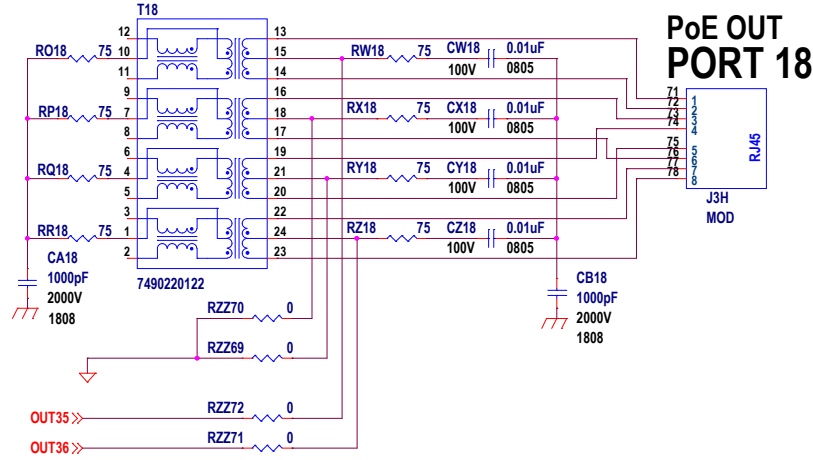


NOTE: UNLESS OTHERWISE SPECIFIED
 1. ALL RESISTORS AND CAPACITORS ARE 0603.
 2. INSTALL SHUNTS AS SHOWN.

CUSTOMER NOTICE <small>ANALOG DEVICES HAS MADE A BEST EFFORT TO DESIGN A CIRCUIT THAT MEETS CUSTOMER-SUPPLIED SPECIFICATIONS; HOWEVER, IT REMAINS THE CUSTOMER'S RESPONSIBILITY TO VERIFY PROPER AND RELIABLE OPERATION IN THE ACTUAL APPLICATION. COMPONENT SUBSTITUTION AND PRINTED CIRCUIT BOARD LAYOUT MAY SIGNIFICANTLY AFFECT CIRCUIT PERFORMANCE OR RELIABILITY. CONTACT ANALOG DEVICES APPLICATIONS ENGINEERING FOR ASSISTANCE.</small>	APPROVALS PCB DES. KENM APP ENG. ERICH		 www.analog.com Phone: (408)432-1900	
	TITLE: SCHEMATIC 24-PORT IEEE 802.3bt PSE MOTHER BOARD			
	IC NO. LTC3639EMSE#TRPBF SKU NO. DC3017A			SCHEMATIC NO. AND REVISION: 710-DC3017A-B_REV03
	THIS CIRCUIT IS PROPRIETARY TO ANALOG DEVICES AND SUPPLIED FOR USE WITH ANALOG DEVICES PARTS.			SIZE: N/A DATE:

UPPER ROW

REVISION HISTORY				
ECO	REV	DESCRIPTION	APPROVED	DATE
	3			



LOWER ROW

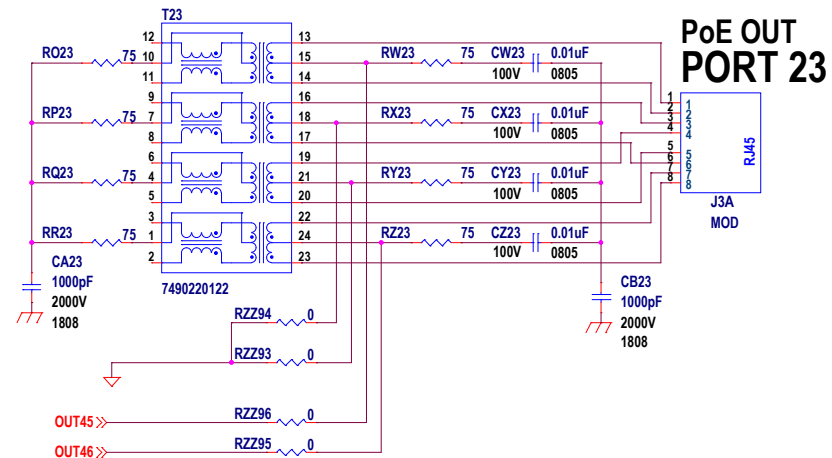
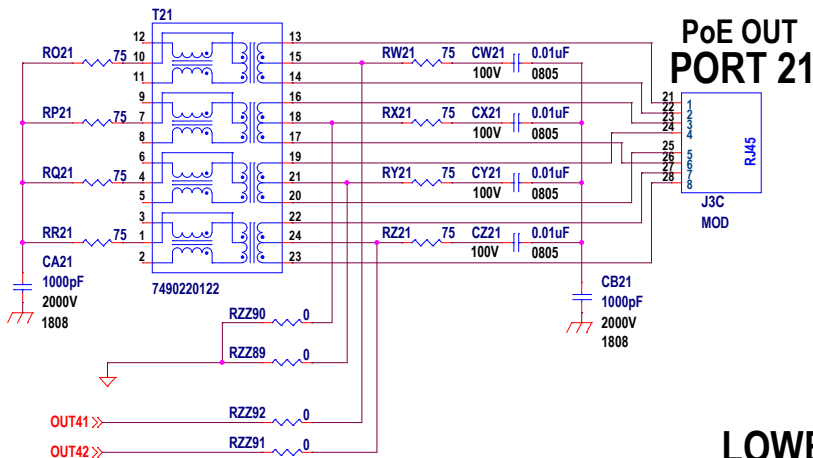
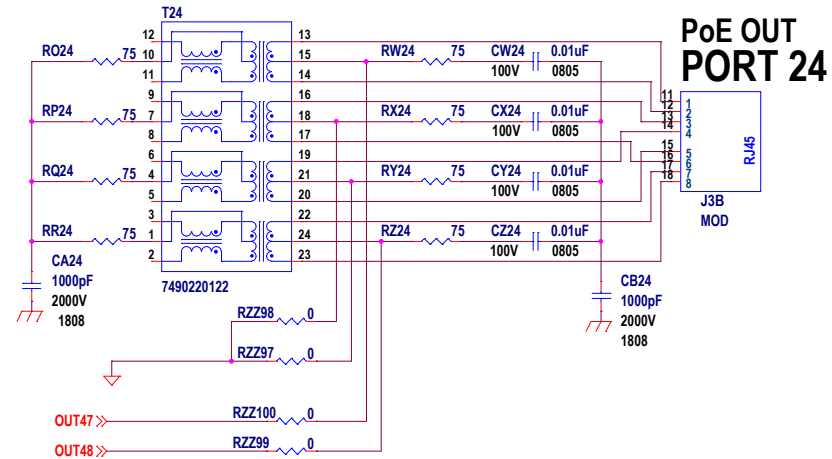
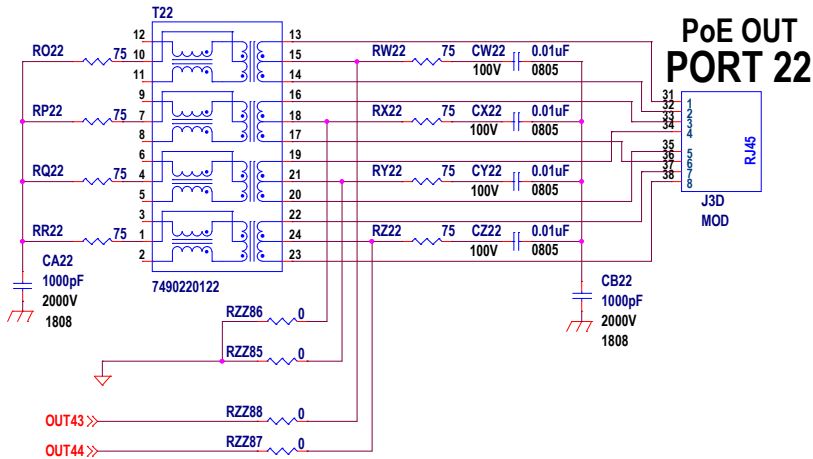
NOTE: UNLESS OTHERWISE SPECIFIED

1. ALL RESISTORS AND CAPACITORS ARE 0603.
2. INSTALL SHUNTS AS SHOWN.

CUSTOMER NOTICE		APPROVALS		ANALOG DEVICES		POWER BY LINEAR	
ANALOG DEVICES HAS MADE A BEST EFFORT TO DESIGN A CIRCUIT THAT MEETS CUSTOMER-SUPPLIED SPECIFICATIONS; HOWEVER, IT REMAINS THE CUSTOMER'S RESPONSIBILITY TO VERIFY PROPER AND RELIABLE OPERATION IN THEIR APPLICATION. COMPONENT SUBSTITUTION AND PRINTED CIRCUIT BOARD LAYOUT MAY SIGNIFICANTLY AFFECT CIRCUIT PERFORMANCE OR RELIABILITY. CONTACT ANALOG DEVICES APPLICATIONS ENGINEERING FOR ASSISTANCE.		PCB DES.	KEN.M	www.analog.com		Phone: (408)432-1900	
THIS CIRCUIT IS PROPRIETARY TO ANALOG DEVICES AND SUPPLIED FOR USE WITH ANALOG DEVICES PARTS.		APP ENG.	ERIC.H	TITLE: SCHEMATIC		24-PORT IEEE802.3bt PSE MOTHER BOARD	
				IC NO. LTC3639EMSE#TRPBF		SCHEMATIC NO. AND REVISION:	
				SKU NO. DC3017A		710-DC3017A-B_REV03	
				SIZE: N/A		DATE:	
						SHEET 8 OF 11	

UPPER ROW

REVISION HISTORY				
ECO	REV	DESCRIPTION	APPROVED	DATE
	3			



LOWER ROW

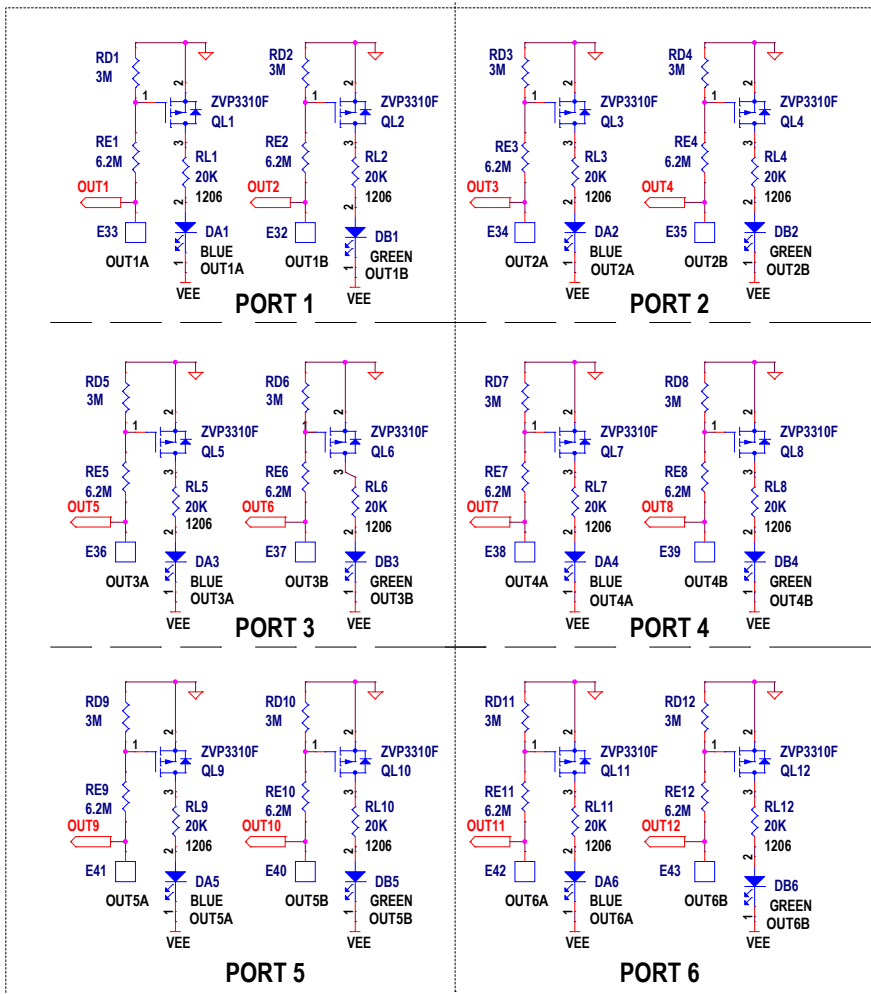
NOTE: UNLESS OTHERWISE SPECIFIED

1. ALL RESISTORS AND CAPACITORS ARE 0603.
2. INSTALL SHUNTS AS SHOWN.

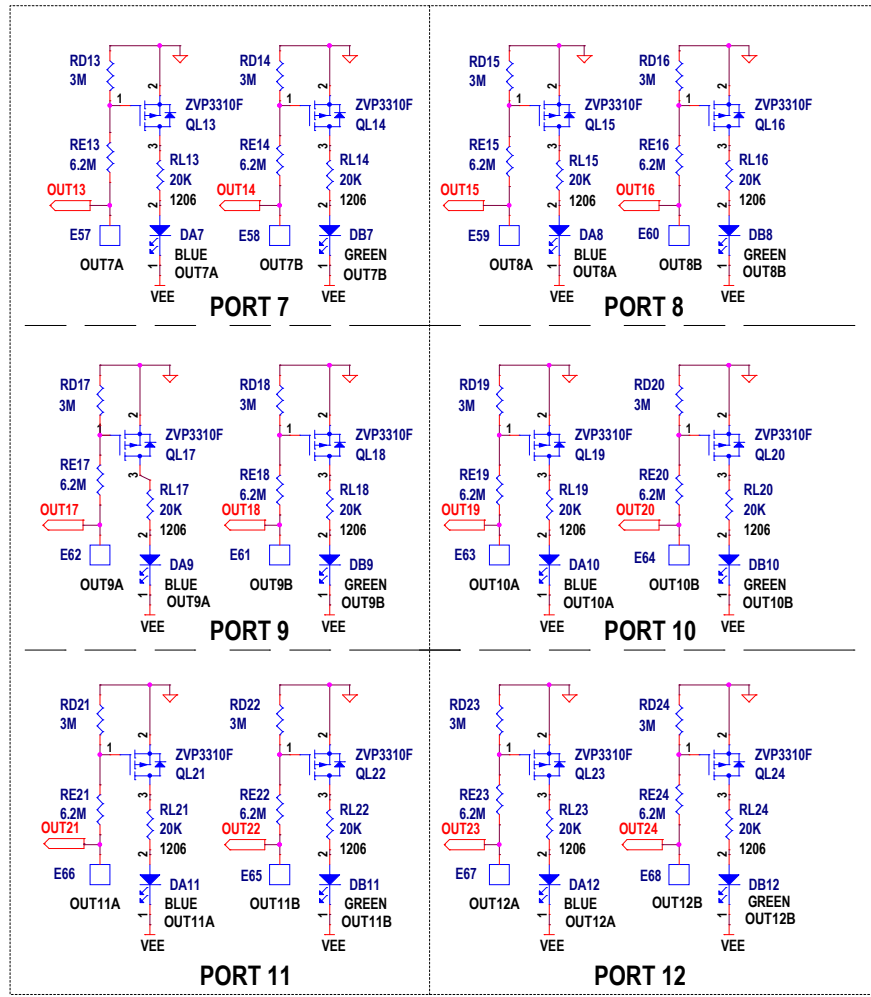
CUSTOMER NOTICE		APPROVALS		ANALOG DEVICES		POWER BY LINEAR	
ANALOG DEVICES HAS MADE A BEST EFFORT TO DESIGN A CIRCUIT THAT MEETS CUSTOMER-SUPPLIED SPECIFICATIONS; HOWEVER, IT REMAINS THE CUSTOMER'S RESPONSIBILITY TO VERIFY PROPER AND RELIABLE OPERATION IN THE ACTUAL APPLICATION. COMPONENT SUBSTITUTION AND PRINTED CIRCUIT BOARD LAYOUT MAY SIGNIFICANTLY AFFECT CIRCUIT PERFORMANCE OR RELIABILITY. CONTACT ANALOG DEVICES APPLICATIONS ENGINEERING FOR ASSISTANCE.		PCB DES.	KENMI	www.analog.com		Phone: (408)432-1900	
THIS CIRCUIT IS PROPRIETARY TO ANALOG DEVICES AND SUPPLIED FOR USE WITH ANALOG DEVICES PARTS.		APP ENG.	ERIC.H				
TITLE: SCHEMATIC				24-PORT IEEE802.3bt PSE MOTHER BOARD			
IC NO. LTC3639EMSE#TRPBF		SKU NO. DC3017A		SCHEMATIC NO. AND REVISION:		710-DC3017A-B_REV03	
SIZE: N/A		DATE:		SHEET 9 OF 11			

ECO		REV	DESCRIPTION	APPROVED	DATE
		3			

OPTIONAL PORT LED DRIVERS - PORTS 1 TO 6



OPTIONAL PORT LED DRIVERS - PORTS 7 - 12



NOTE: UNLESS OTHERWISE SPECIFIED

1. ALL RESISTORS AND CAPACITORS ARE 0603.
2. INSTALL SHUNTS AS SHOWN.

CUSTOMER NOTICE
 ANALOG DEVICES HAS MADE A BEST EFFORT TO DESIGN A CIRCUIT THAT MEETS CUSTOMER-SUPPLIED SPECIFICATIONS; HOWEVER, IT REMAINS THE CUSTOMER'S RESPONSIBILITY TO VERIFY PROPER AND RELIABLE OPERATION IN THE ACTUAL APPLICATION. COMPONENT SUBSTITUTION AND PRINTED CIRCUIT BOARD LAYOUT MAY SIGNIFICANTLY AFFECT CIRCUIT PERFORMANCE OR RELIABILITY. CONTACT ANALOG DEVICES APPLICATIONS ENGINEERING FOR ASSISTANCE.

APPROVALS	
PCB DES.	KEN/M
APP ENG.	ERIC/H

ANALOG DEVICES **POWER BY LINEAR**
www.analog.com Phone: (408)432-1900

TITLE: SCHEMATIC
 24-PORT IEEE 802.3bt PSE MOTHER BOARD

IC NO. LTC3639EMSE#TRPBF
 SKU NO. DC3017A
 SCHEMATIC NO. AND REVISION:
710-DC3017A-B_REV03

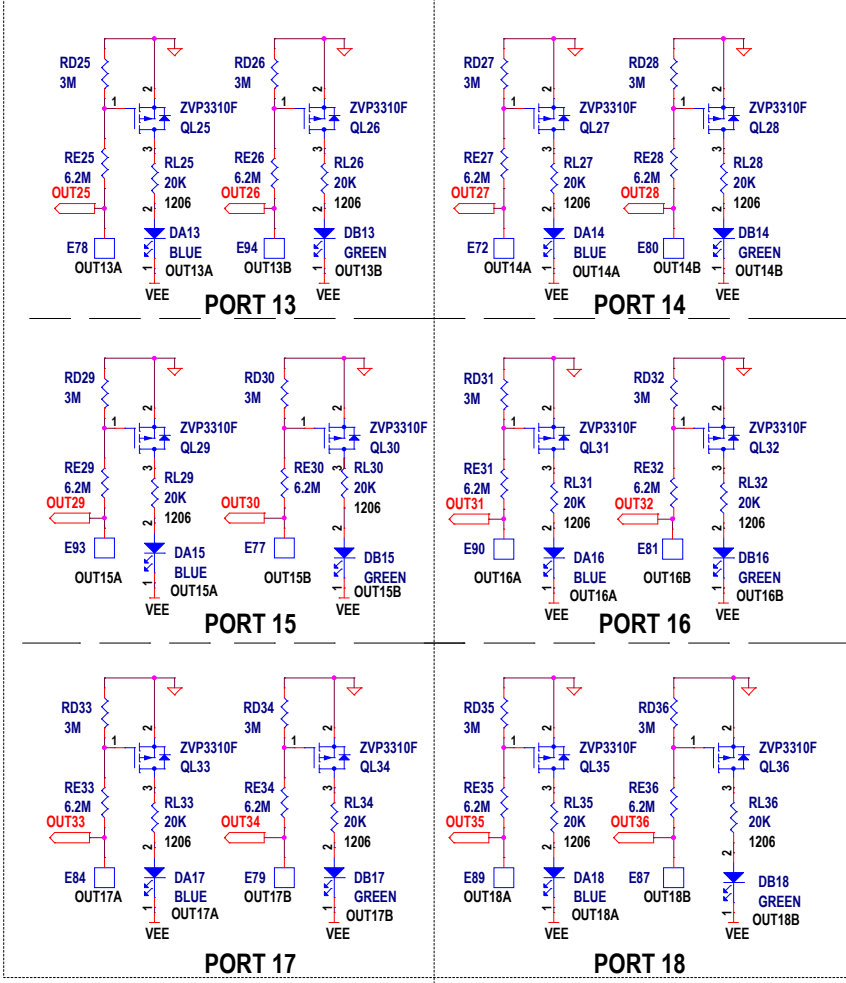
SIZE: N/A DATE: SHEET 10 OF 11

THIS CIRCUIT IS PROPRIETARY TO ANALOG DEVICES AND SUPPLIED FOR USE WITH ANALOG DEVICES PARTS.

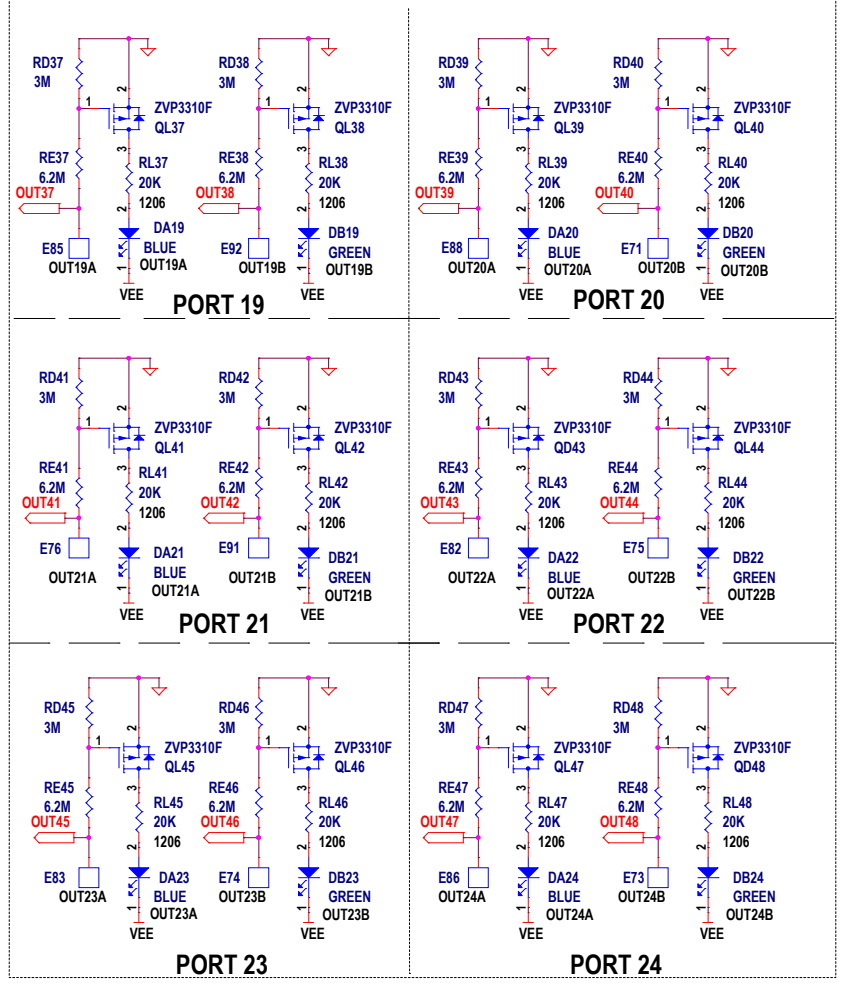
REVISION HISTORY				
ECO	REV	DESCRIPTION	APPROVED	DATE
	3			

PORTS 13-24 LEDS

OPTIONAL PORT LED DRIVERS - PORTS 13 -18



OPTIONAL PORT LED DRIVERS - PORTS 19 -24



NOTE: UNLESS OTHERWISE SPECIFIED

1. ALL RESISTORS AND CAPACITORS ARE 0603.
2. INSTALL SHUNTS AS SHOWN.

CUSTOMER NOTICE

ANALOG DEVICES HAS MADE A BEST EFFORT TO DESIGN A CIRCUIT THAT MEETS CUSTOMER-SUPPLIED SPECIFICATIONS; HOWEVER, IT REMAINS THE CUSTOMER'S RESPONSIBILITY TO VERIFY PROPER AND RELIABLE OPERATION IN THE ACTUAL APPLICATION. COMPONENT SUBSTITUTION AND PRINTED CIRCUIT BOARD LAYOUT MAY SIGNIFICANTLY AFFECT CIRCUIT PERFORMANCE OR RELIABILITY. CONTACT ANALOG DEVICES APPLICATIONS ENGINEERING FOR ASSISTANCE.

APPROVALS

PCB DES.	KEN/M
APP ENG.	ERIC/H

ANALOG DEVICES **POWER BY LINEAR**

www.analog.com Phone: (408)432-1900

TITLE: SCHEMATIC

24-PORT IEEE 802.3bt PSE MOTHER BOARD

IC NO. LTC3639EMSE#TRPBF SCHEMATIC NO. AND REVISION: SKU NO. DC3017A 710-DC3017A-B_REV03

SIZE: N/A DATE: SHEET 11 OF 11

THIS CIRCUIT IS PROPRIETARY TO ANALOG DEVICES AND SUPPLIED FOR USE WITH ANALOG DEVICES PARTS.