

THIS DRAWING IS THE PROPERTY OF ANALOG DEVICES INC. IT IS NOT TO BE REPRODUCED OR COPIED, IN WHOLE OR IN PART, OR USED IN FURNISHING INFORMATION TO OTHERS, OR FOR ANY OTHER PURPOSE DETRIMENTAL TO THE INTERESTS OF ANALOG DEVICES. THE EQUIPMENT SHOWN HEREON MAY BE PROTECTED BY PATENTS OWNED OR CONTROLLED BY ANALOG DEVICES.

RELAY CONTROL CHART

CONTROL	CODE	DEVICE	FUNCTION	CONNECTOR

P.O SPEC.	BK/BD SPEC.	SOCKET OEM	OEM PART#	HANDLER

JUMPER TABLE		
JP#	ON	OFF
1		
2		
3		
4		
5		

* SEE ASSEMBLY INSTRUCTIONS

REVISIONS			
REV	DESCRIPTION	DATE	APPROVED
A	INITIAL RELEASE	28NOV19	D.REYES
A1	AS PER ECR-097342	31AUG20	E.HORSMA
B	AS PER ECR-098354	07SEP20	E.HORSMA
B1	AS PER ECR-100158	19NOV20	E.HORSMA
B2	AS PER ECR-101069	13JAN21	E.HORSMA
C	AS PER ECR-102115	15APR21	E.HORSMA
D	AS PER ECR-105021	26OCT21	E.HORSMA

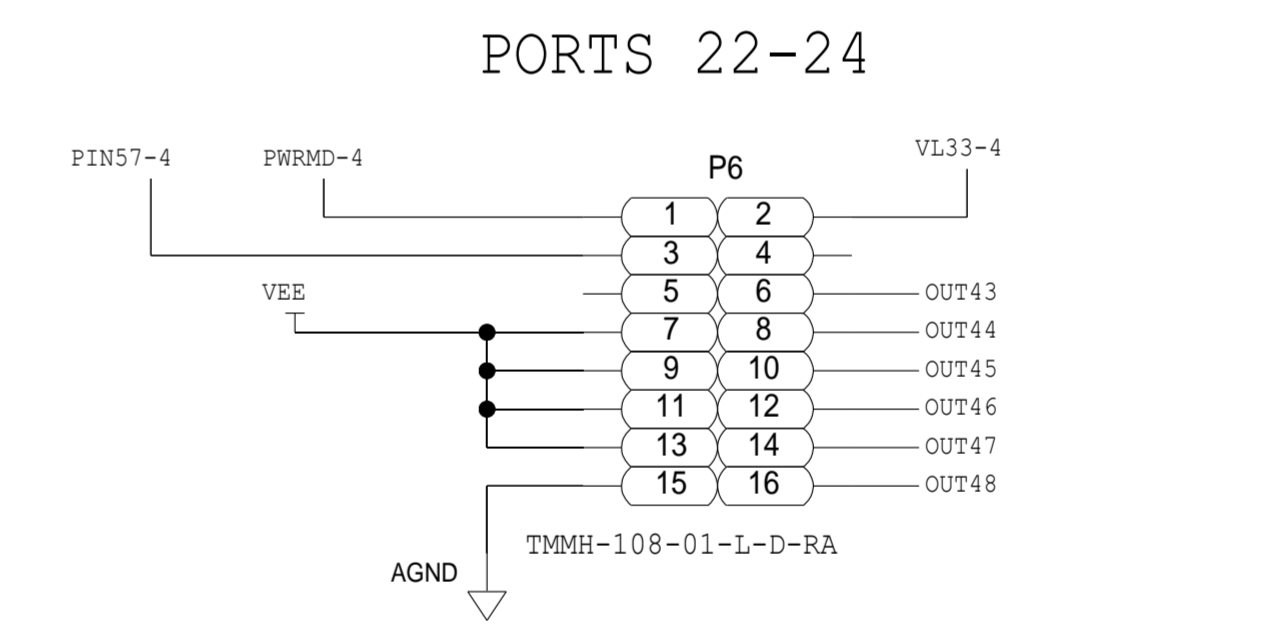
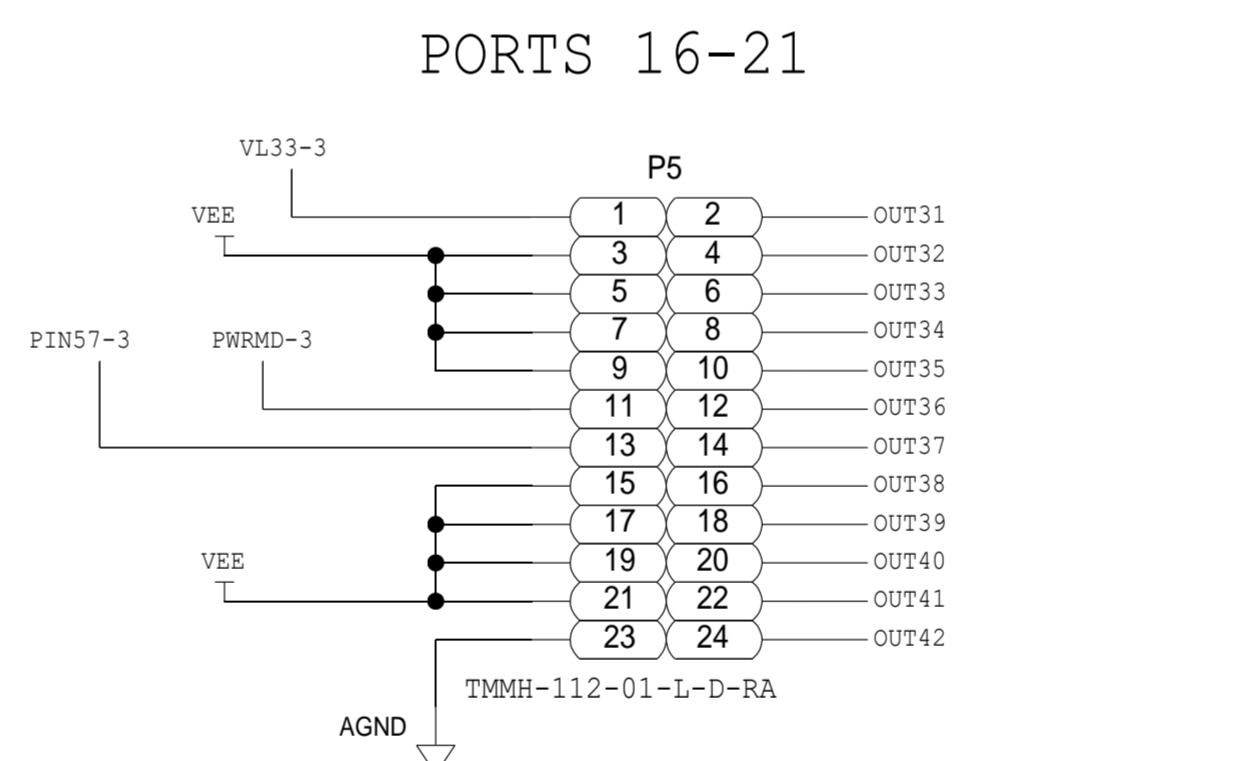
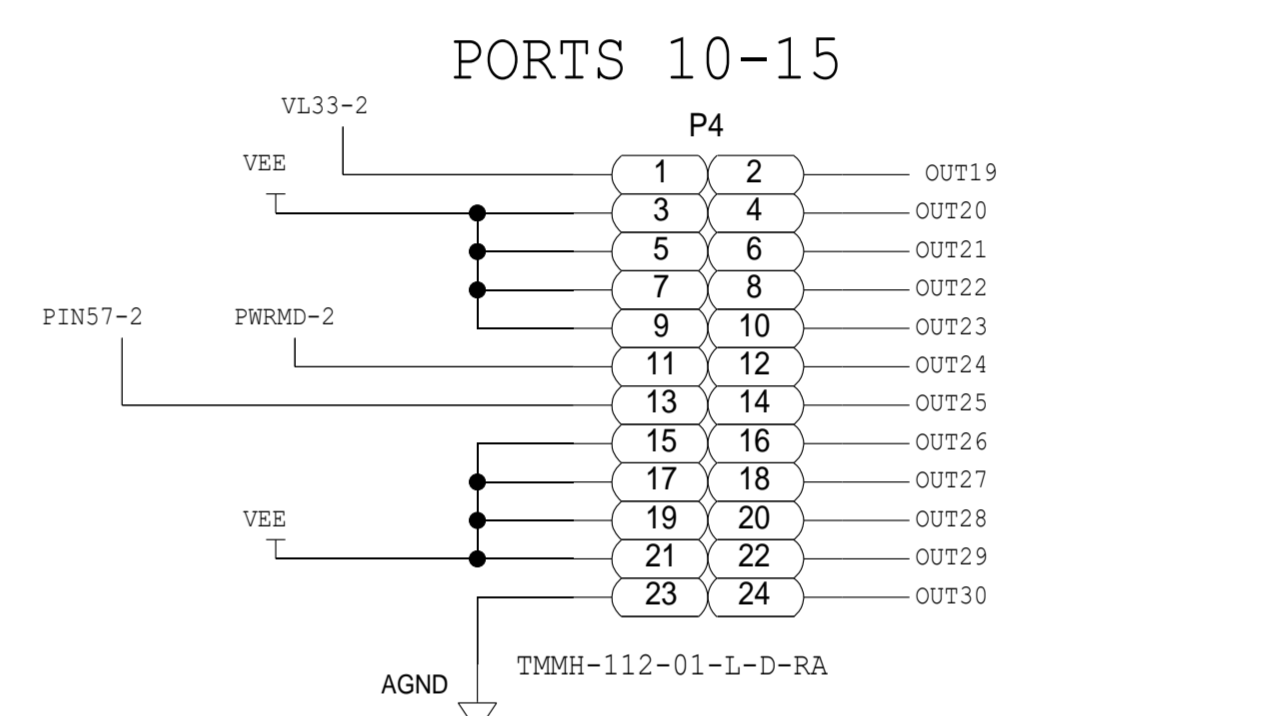
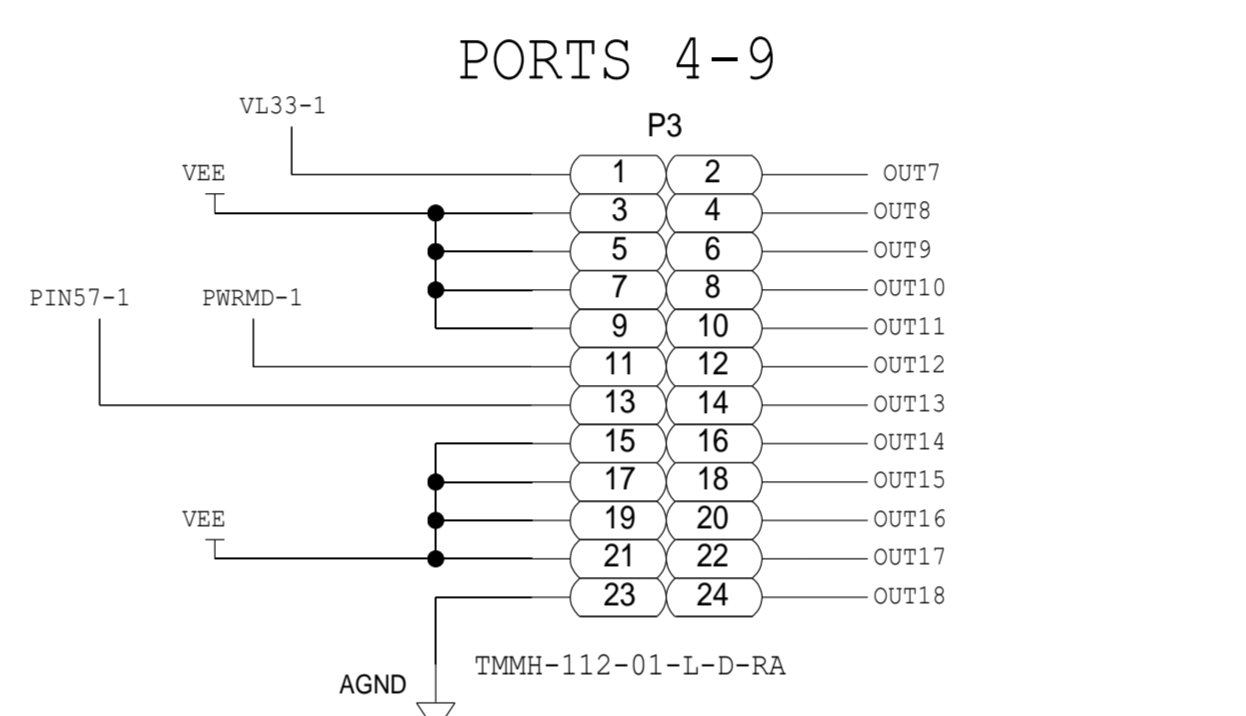
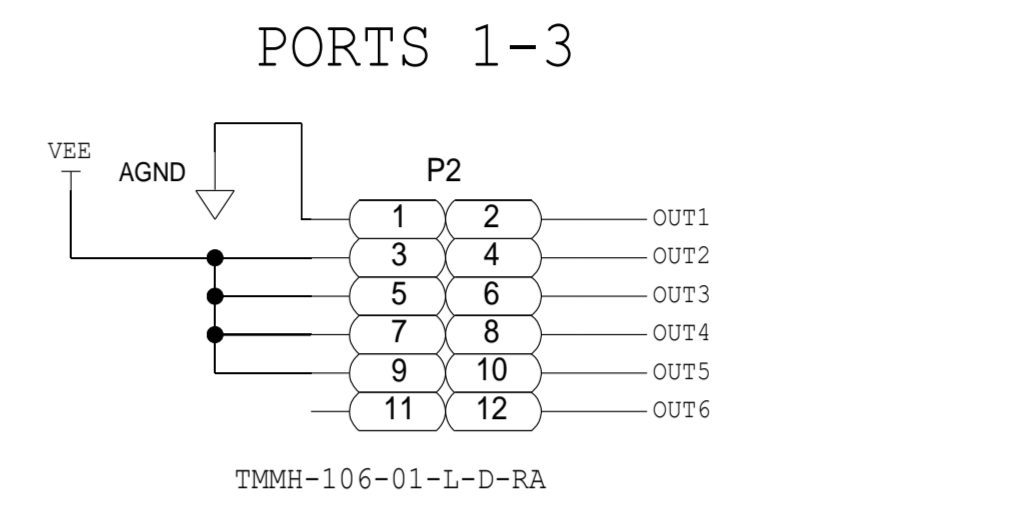
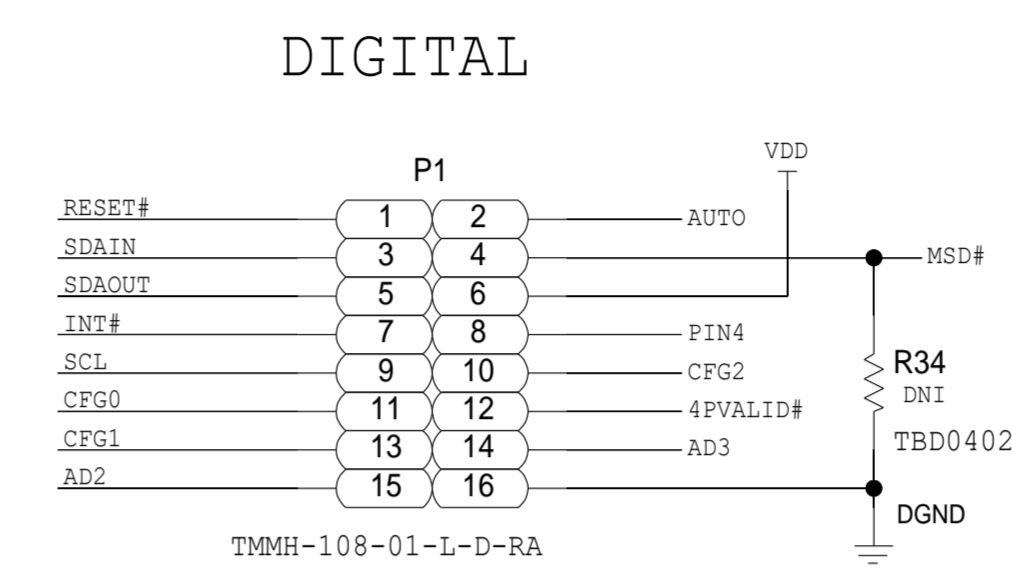
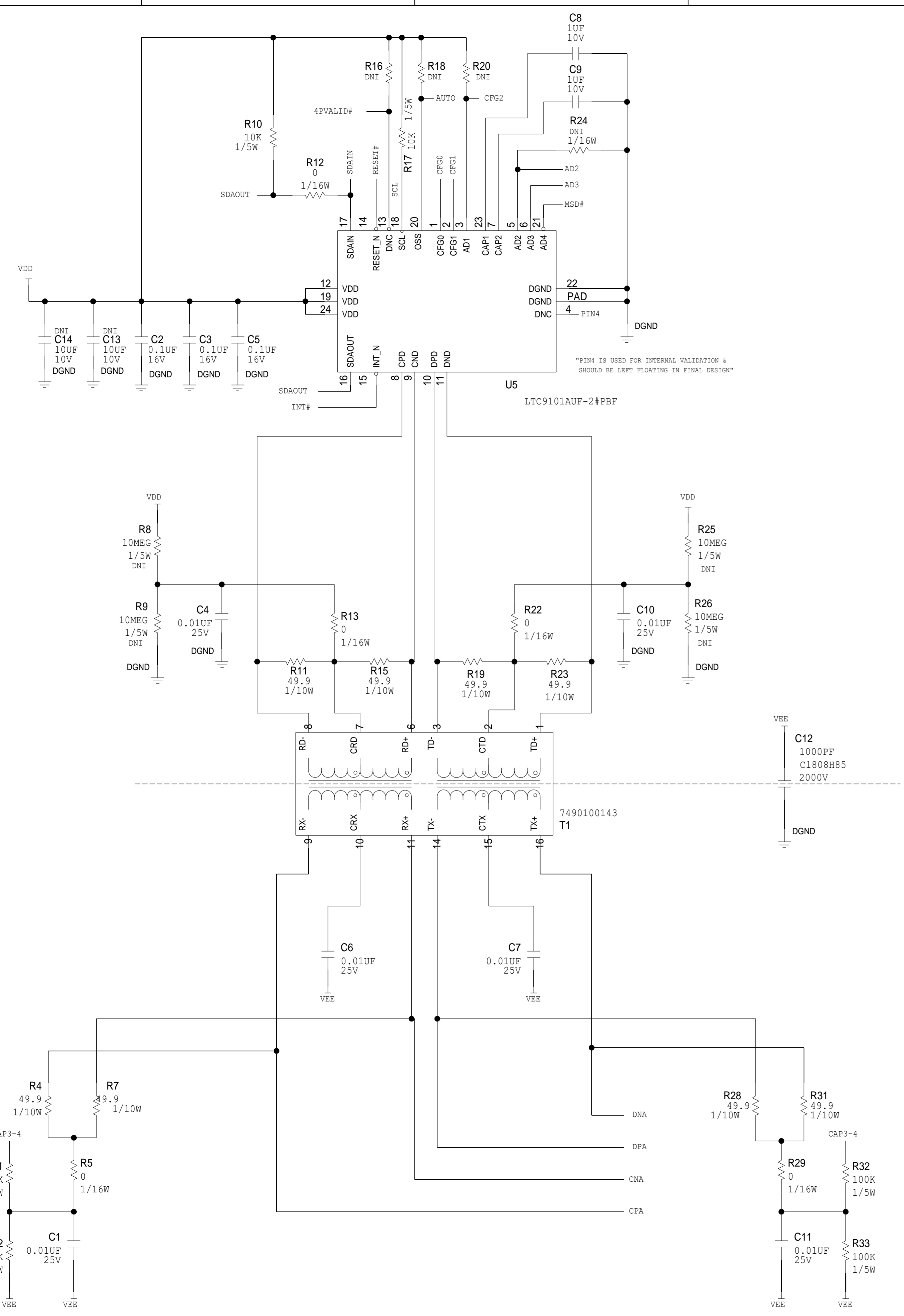
MODEL NAME : DC3159A-C

REFERENCE FILES:

MODEL NAME	LTC9101 VERSION	LTC9102 COUNT	LTC9103 COUNT	CHANNEL COUNT	BOARD RECORD SCHEMATIC	IEEE STANDARD
DC3159A-A	-1	4	0	48	02-059470-01	802.3at/bt
DC3159A-B	-1	2	2	40	02-059470-02	802.3at/bt
DC3159A-C	-2	4	0	48	02-059470-03	802.3bt <input checked="" type="checkbox"/>
DC3159A-D	-2A	4	0	48	02-059470-04	802.3at
DC3159A-E	-2B	4	0	48	02-059470-05	802.3bt, 2-Pair

TEMPLATE ENGINEER		DATE		SCHEMATIC											
-		-		HW TYPE : Customer Evaluation Z Product(s) : LTC9101-1/LTC9102 : ADI DEMO BOARD PACKAGE : LeadCount-lead BodySize PackageType-family : Pitch-pitch StyleVendor Style <User Define> <User Define> <User Define>		DRAWING NO. 02_059470 REV. D									
HARDWARE SERVICES M.JOSE		28NOV19													
HARDWARE SYSTEMS -		-													
TEST ENGINEER -		-													
COMPONENT ENGINEER A.CAUILAN		28NOV19													
TEST PROCESS -		-		MASTER PROJECT TEMPLATE TBD		TESTER TEMPLATE no_template		DRAWING NO. 02_059470 REV. D							
HARDWARE RELEASE K.JABATAN		28NOV19													
DESIGNER N.CORDOVA		28NOV19		TOLERANCES UNLESS OTHERWISE SPECIFIED DIMENSIONS ARE IN INCHES DECIMALS : X.XX +0.010 FRACTIONS : +1/32 ANGLES : +2				SIZE D		SCALE 1:1		CODE ID NO. CodeID		SHEET 1 OF 6	
PTD ENGINEER D.REYES		28NOV19													
CHECKER E.HORSMA		28NOV19													

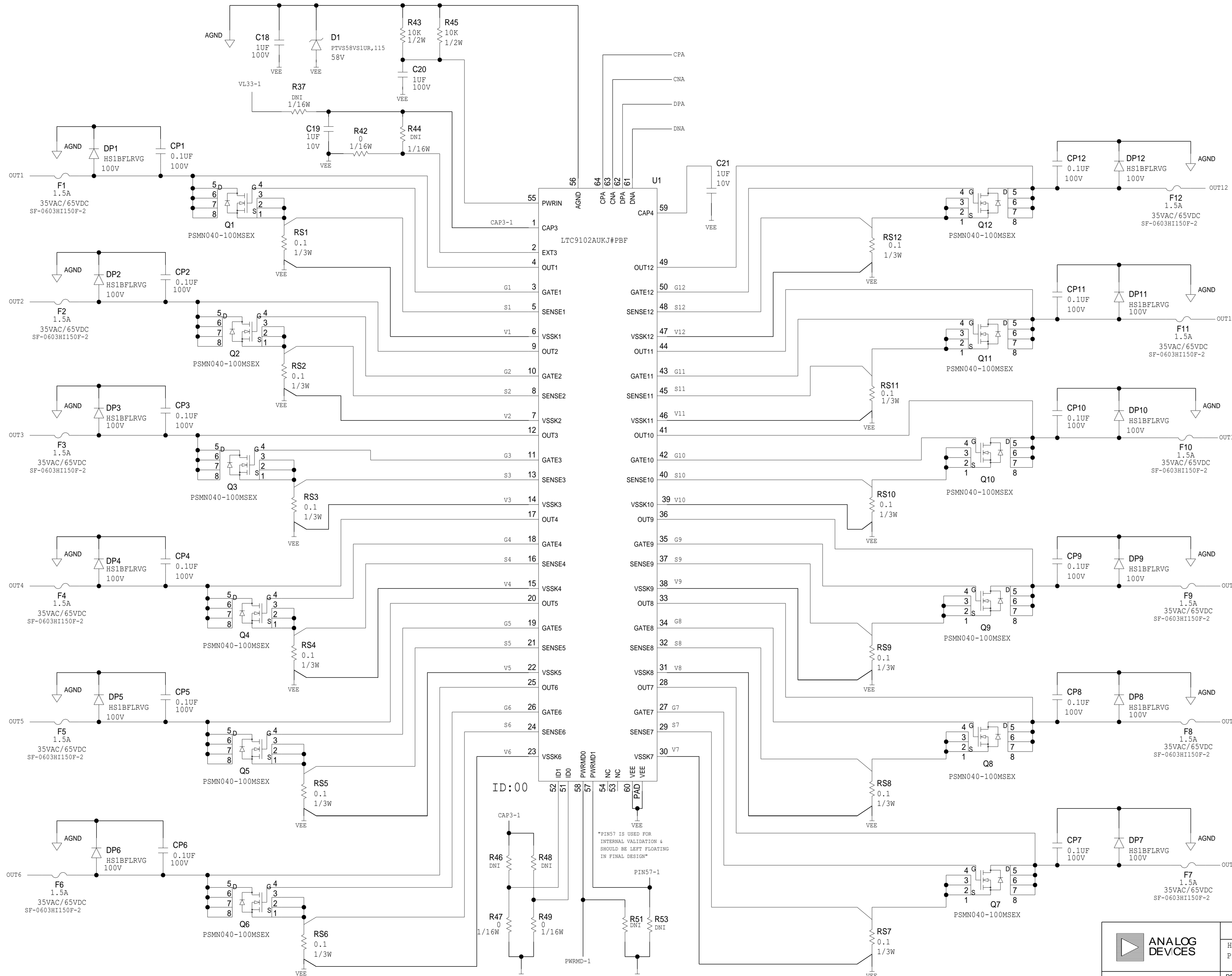
REVISIONS			
REV	DESCRIPTION	DATE	APPROVED



SCHEMATIC			
HW TYPE : Customer Evaluation Z Product(s) : LTC9101-1/LTC9102 : ADI DEMO BOARD		DRAWING NO. 02_059470 REV D	
DESIGN VIEW <DESIGN_VIEW>	PTD ENGINEER D. REYES	SIZE D SCALE 1:1	SHEET 2 OF 6

THIS DRAWING IS THE PROPERTY OF ANALOG DEVICES INC. IT IS NOT TO BE REPRODUCED OR COPIED, IN WHOLE OR IN PART, OR USED IN ANY MANNER WITHOUT THE WRITTEN PERMISSION OF ANALOG DEVICES. THE EQUIPMENT SHOWN HEREIN MAY BE PROTECTED BY PATENTS OWNED OR CONTROLLED BY ANALOG DEVICES.

REVISIONS			
REV	DESCRIPTION	DATE	APPROVED



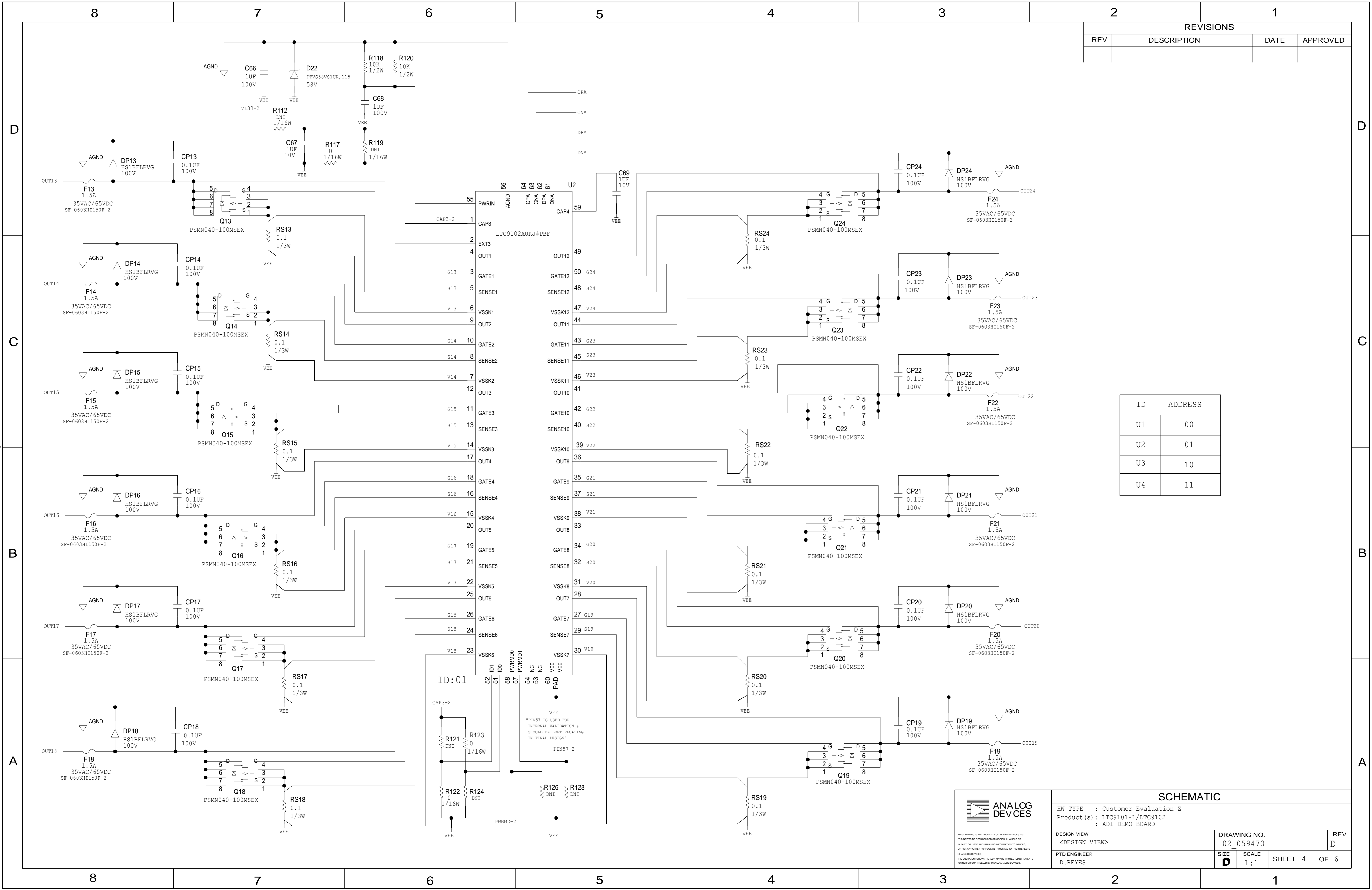
ID	ADDRESS
U1	00
U2	01
U3	10
U4	11

	SCHEMATIC		
	HW TYPE : Customer Evaluation Z Product(s) : LTC9101-1/LTC9102 : ADI DEMO BOARD		
DESIGN VIEW <DESIGN_VIEW>	DRAWING NO. 02_059470	REV D	
PTD ENGINEER D. REYES	SIZE D	SCALE 1:1	SHEET 3 OF 6

PINS7 IS USED FOR INTERNAL VALIDATION & SHOULD BE LEFT FLOATING IN FINAL DESIGN

ID: 00

REVISIONS			
REV	DESCRIPTION	DATE	APPROVED



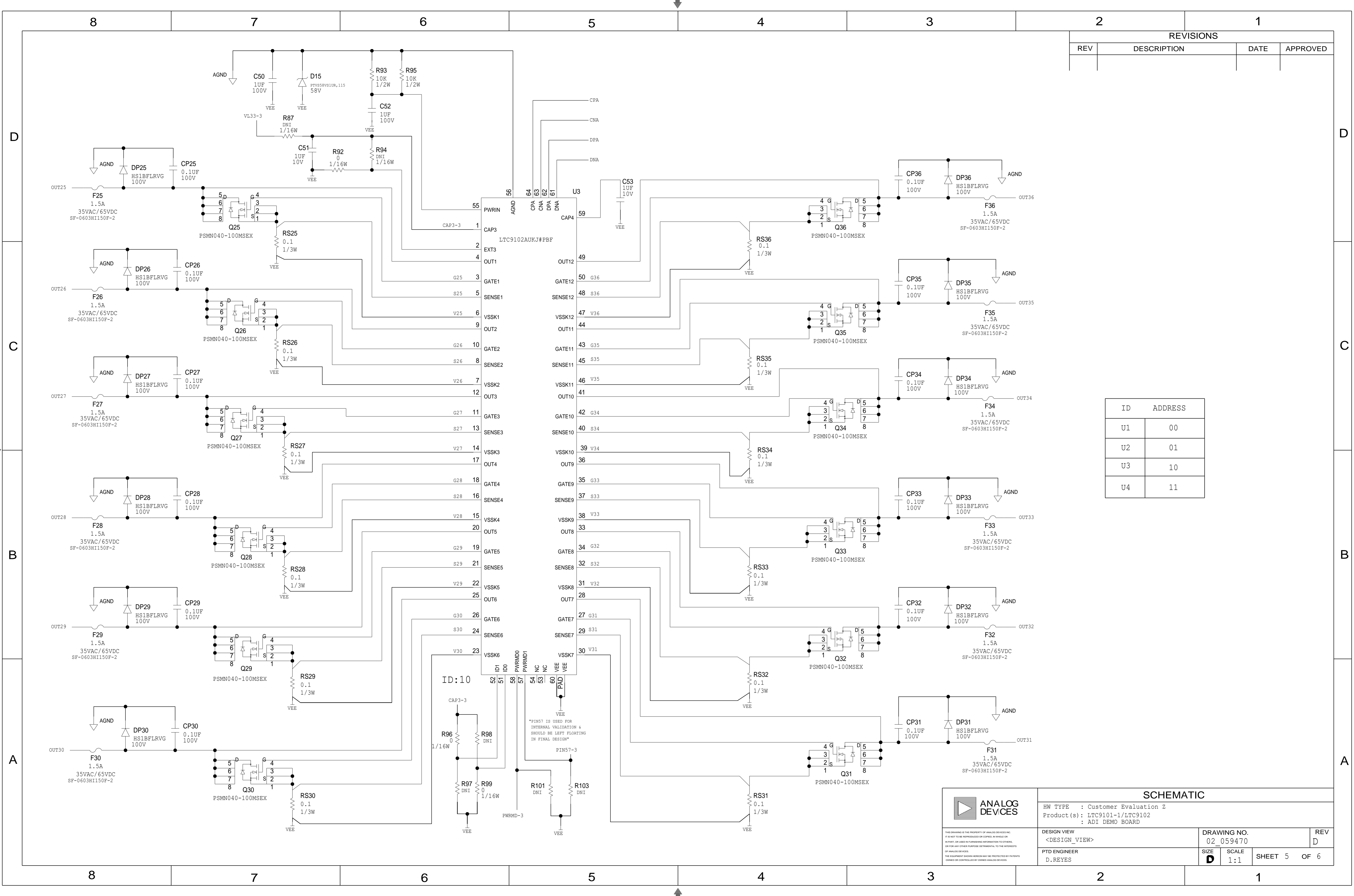
ID	ADDRESS
U1	00
U2	01
U3	10
U4	11

	SCHEMATIC		
	HW TYPE : Customer Evaluation Z Product(s) : LTC9101-1/LTC9102 : ADI DEMO BOARD		
DESIGN VIEW <DESIGN_VIEW>	DRAWING NO. 02_059470	REV D	
PTD ENGINEER D. REYES	SIZE D	SCALE 1:1	SHEET 4 OF 6

PIN57 IS USED FOR INTERNAL VALIDATION & SHOULD BE LEFT FLOATING IN FINAL DESIGN

ID:01

REVISIONS			
REV	DESCRIPTION	DATE	APPROVED



ID	ADDRESS
U1	00
U2	01
U3	10
U4	11

ANALOG DEVICES

SCHMATIC

HW TYPE : Customer Evaluation Z
 Product(s) : LTC9101-1/LTC9102
 : ADI DEMO BOARD

DESIGN VIEW : <DESIGN_VIEW>
 PTD ENGINEER : D. REYES

DRAWING NO. : 02_059470
 SIZE : D
 SCALE : 1:1

REV : D
 SHEET 5 OF 6

THIS DRAWING IS THE PROPERTY OF ANALOG DEVICES INC. IT IS NOT TO BE REPRODUCED OR COPIED, IN WHOLE OR IN PART, OR USED IN ANY MANNER THAT MIGHT BE DETRIMENTAL TO THE INTERESTS OF ANALOG DEVICES. THE EQUIPMENT SHOWN HEREIN MAY BE PROTECTED BY PATENTS OWNED OR CONTROLLED BY ANALOG DEVICES.

ID:10

R96 1/16W
 R97 DNI
 R98 DNI
 R99 1/16W
 R101 DNI
 R103 DNI

PWRMD0-3
 PWRMD1
 PWRMD2
 PWRMD3

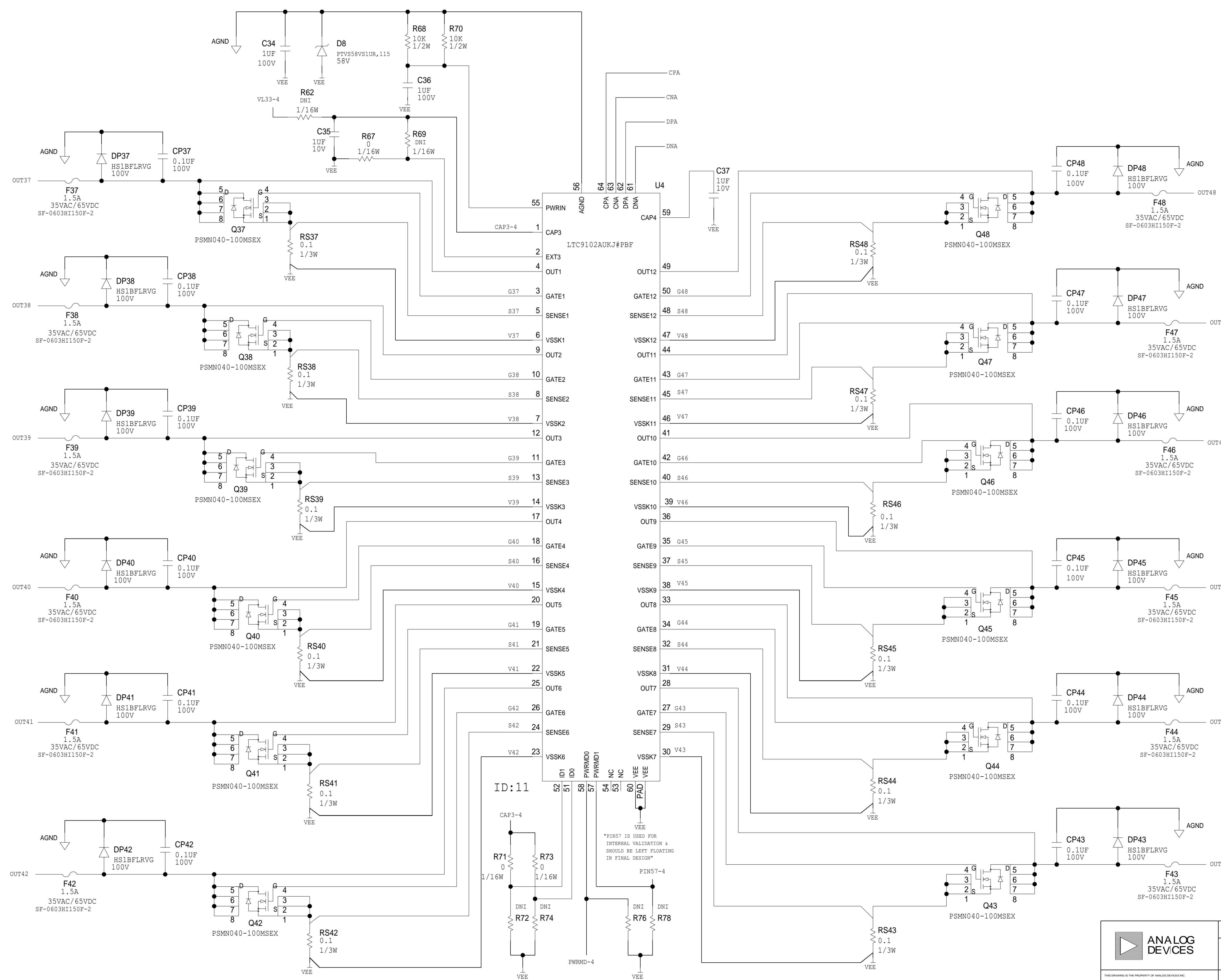
VEE
 VEE
 VEE
 VEE

PIN7 IS USED FOR INTERNAL VALIDATION & SHOULD BE LEFT FLOATING IN FINAL DESIGN

CPA
 CNA
 DPA
 DNA

CP3-3
 CAP3
 EXT3
 OUT1
 GATE1
 SENSE1
 VSSK1
 OUT2
 GATE2
 SENSE2
 VSSK2
 OUT3
 GATE3
 SENSE3
 VSSK3
 OUT4
 GATE4
 SENSE4
 VSSK4
 OUT5
 GATE5
 SENSE5
 VSSK5
 OUT6
 GATE6
 SENSE6
 VSSK6
 OUT7
 GATE7
 SENSE7
 VSSK7
 OUT8
 GATE8
 SENSE8
 VSSK8
 OUT9
 GATE9
 SENSE9
 VSSK9
 OUT10
 GATE10
 SENSE10
 VSSK10
 OUT11
 GATE11
 SENSE11
 VSSK11
 OUT12
 GATE12
 SENSE12
 VSSK12
 OUT13
 GATE13
 SENSE13
 VSSK13
 OUT14
 GATE14
 SENSE14
 VSSK14
 OUT15
 GATE15
 SENSE15
 VSSK15
 OUT16
 GATE16
 SENSE16
 VSSK16
 OUT17
 GATE17
 SENSE17
 VSSK17
 OUT18
 GATE18
 SENSE18
 VSSK18
 OUT19
 GATE19
 SENSE19
 VSSK19
 OUT20
 GATE20
 SENSE20
 VSSK20
 OUT21
 GATE21
 SENSE21
 VSSK21
 OUT22
 GATE22
 SENSE22
 VSSK22
 OUT23
 GATE23
 SENSE23
 VSSK23
 OUT24
 GATE24
 SENSE24
 VSSK24
 OUT25
 GATE25
 SENSE25
 VSSK25
 OUT26
 GATE26
 SENSE26
 VSSK26
 OUT27
 GATE27
 SENSE27
 VSSK27
 OUT28
 GATE28
 SENSE28
 VSSK28
 OUT29
 GATE29
 SENSE29
 VSSK29
 OUT30
 GATE30
 SENSE30
 VSSK30
 OUT31
 GATE31
 SENSE31
 VSSK31
 OUT32
 GATE32
 SENSE32
 VSSK32
 OUT33
 GATE33
 SENSE33
 VSSK33
 OUT34
 GATE34
 SENSE34
 VSSK34
 OUT35
 GATE35
 SENSE35
 VSSK35
 OUT36
 GATE36
 SENSE36
 VSSK36
 OUT37
 GATE37
 SENSE37
 VSSK37
 OUT38
 GATE38
 SENSE38
 VSSK38
 OUT39
 GATE39
 SENSE39
 VSSK39
 OUT40
 GATE40
 SENSE40
 VSSK40
 OUT41
 GATE41
 SENSE41
 VSSK41
 OUT42
 GATE42
 SENSE42
 VSSK42
 OUT43
 GATE43
 SENSE43
 VSSK43
 OUT44
 GATE44
 SENSE44
 VSSK44
 OUT45
 GATE45
 SENSE45
 VSSK45
 OUT46
 GATE46
 SENSE46
 VSSK46
 OUT47
 GATE47
 SENSE47
 VSSK47
 OUT48
 GATE48
 SENSE48
 VSSK48
 OUT49
 GATE49
 SENSE49
 VSSK49
 OUT50
 GATE50
 SENSE50
 VSSK50
 OUT51
 GATE51
 SENSE51
 VSSK51
 OUT52
 GATE52
 SENSE52
 VSSK52
 OUT53
 GATE53
 SENSE53
 VSSK53
 OUT54
 GATE54
 SENSE54
 VSSK54
 OUT55
 GATE55
 SENSE55
 VSSK55
 OUT56
 GATE56
 SENSE56
 VSSK56
 OUT57
 GATE57
 SENSE57
 VSSK57
 OUT58
 GATE58
 SENSE58
 VSSK58
 OUT59
 GATE59
 SENSE59
 VSSK59
 OUT60
 GATE60
 SENSE60
 VSSK60
 OUT61
 GATE61
 SENSE61
 VSSK61
 OUT62
 GATE62
 SENSE62
 VSSK62
 OUT63
 GATE63
 SENSE63
 VSSK63
 OUT64
 GATE64
 SENSE64
 VSSK64
 OUT65
 GATE65
 SENSE65
 VSSK65
 OUT66
 GATE66
 SENSE66
 VSSK66
 OUT67
 GATE67
 SENSE67
 VSSK67
 OUT68
 GATE68
 SENSE68
 VSSK68
 OUT69
 GATE69
 SENSE69
 VSSK69
 OUT70
 GATE70
 SENSE70
 VSSK70
 OUT71
 GATE71
 SENSE71
 VSSK71
 OUT72
 GATE72
 SENSE72
 VSSK72
 OUT73
 GATE73
 SENSE73
 VSSK73
 OUT74
 GATE74
 SENSE74
 VSSK74
 OUT75
 GATE75
 SENSE75
 VSSK75
 OUT76
 GATE76
 SENSE76
 VSSK76
 OUT77
 GATE77
 SENSE77
 VSSK77
 OUT78
 GATE78
 SENSE78
 VSSK78
 OUT79
 GATE79
 SENSE79
 VSSK79
 OUT80
 GATE80
 SENSE80
 VSSK80
 OUT81
 GATE81
 SENSE81
 VSSK81
 OUT82
 GATE82
 SENSE82
 VSSK82
 OUT83
 GATE83
 SENSE83
 VSSK83
 OUT84
 GATE84
 SENSE84
 VSSK84
 OUT85
 GATE85
 SENSE85
 VSSK85
 OUT86
 GATE86
 SENSE86
 VSSK86
 OUT87
 GATE87
 SENSE87
 VSSK87
 OUT88
 GATE88
 SENSE88
 VSSK88
 OUT89
 GATE89
 SENSE89
 VSSK89
 OUT90
 GATE90
 SENSE90
 VSSK90
 OUT91
 GATE91
 SENSE91
 VSSK91
 OUT92
 GATE92
 SENSE92
 VSSK92
 OUT93
 GATE93
 SENSE93
 VSSK93
 OUT94
 GATE94
 SENSE94
 VSSK94
 OUT95
 GATE95
 SENSE95
 VSSK95
 OUT96
 GATE96
 SENSE96
 VSSK96
 OUT97
 GATE97
 SENSE97
 VSSK97
 OUT98
 GATE98
 SENSE98
 VSSK98
 OUT99
 GATE99
 SENSE99
 VSSK99
 OUT100
 GATE100
 SENSE100
 VSSK100

REVISIONS			
REV	DESCRIPTION	DATE	APPROVED



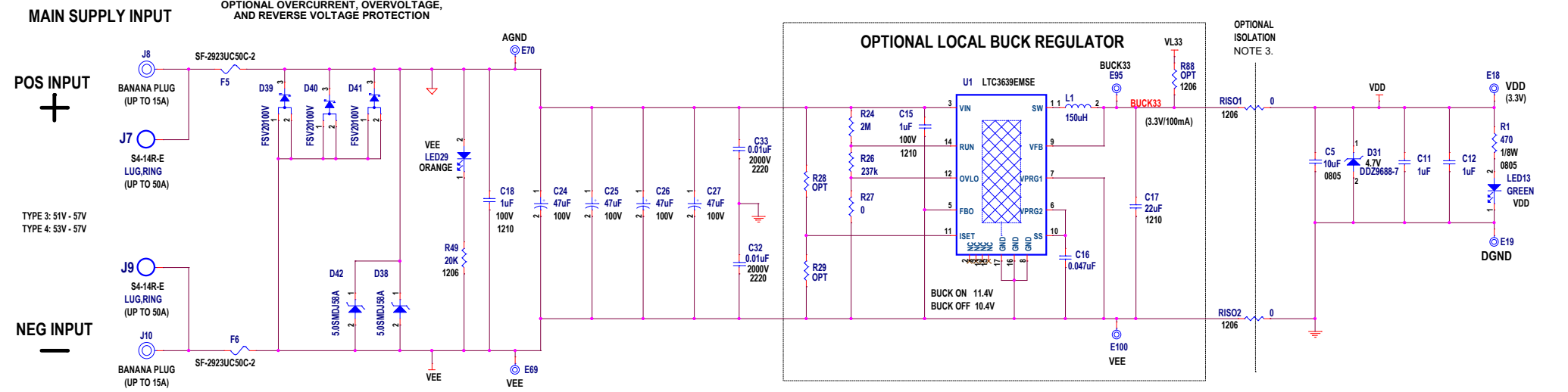
ID	ADDRESS
U1	00
U2	01
U3	10
U4	11

	SCHEMATIC		
	HW TYPE : Customer Evaluation Z Product(s) : LTC9101-1/LTC9102 : ADI DEMO BOARD		
DESIGN VIEW <DESIGN_VIEW>	DRAWING NO. 02_059470	REV D	
PTD ENGINEER D. REYES	SIZE D	SCALE 1:1	SHEET 6 OF 6

THIS DRAWING IS THE PROPERTY OF ANALOG DEVICES INC. IT IS NOT TO BE REPRODUCED OR COPIED, IN WHOLE OR IN PART, OR USED IN ANY MANNER WITHOUT THE WRITTEN PERMISSION OF ANALOG DEVICES. THE EQUIPMENT SHOWN HEREIN MAY BE PROTECTED BY PATENTS OWNED OR CONTROLLED BY ANALOG DEVICES.

REVISION HISTORY				
ECO	REV	DESCRIPTION	APPROVED	DATE
	3			

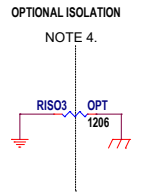
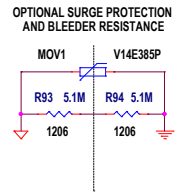
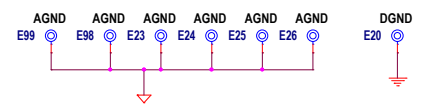
POWER SUPPLY



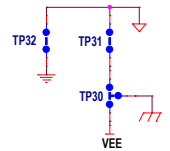
POS INPUT
+

TYPE 3: 51V - 57V
TYPE 4: 53V - 57V

NEG INPUT
-



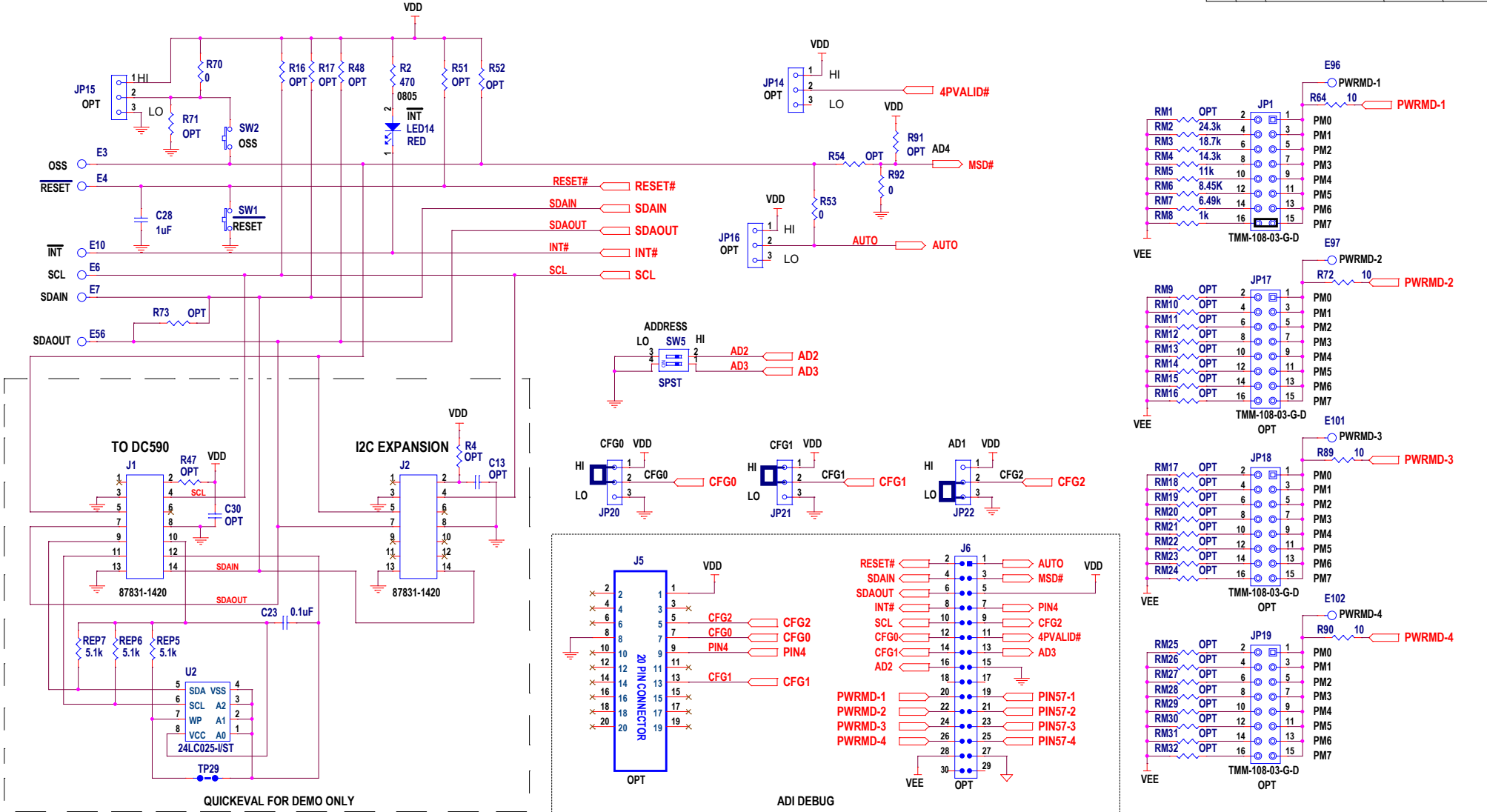
- NOTE: UNLESS OTHERWISE SPECIFIED**
1. ALL RESISTORS AND CAPACITORS ARE 0603.
 2. INSTALL SHUNTS AS SHOWN.
 3. REMOVE RESISTORS TO ISOLATE DIGITAL AND ANALOG DOMAINS
 4. POPULATE RESISTOR TO CONNECT DIGITAL GROUND TO CHASSIS



<p>CUSTOMER NOTICE</p> <p>ANALOG DEVICES HAS MADE A BEST EFFORT TO DESIGN A CIRCUIT THAT MEETS CUSTOMER-SUPPLIED SPECIFICATIONS; HOWEVER, IT REMAINS THE CUSTOMER'S RESPONSIBILITY TO DESIGN, PRODUCE AND VALIDATE OPERATIONS IN THE ACTUAL APPLICATION. COMPONENT SUBSTITUTION AND PRACTICE CIRCUIT BOARD LAYOUT MAY SIGNIFICANTLY AFFECT CIRCUIT PERFORMANCE OR RELIABILITY. CONTACT ANALOG DEVICES APPLICATIONS ENGINEERING FOR ASSISTANCE.</p> <p>THIS CIRCUIT IS PROPRIETARY TO ANALOG DEVICES AND SUPPLIED FOR USE WITH ANALOG DEVICES PARTS.</p>	<p>APPROVALS</p> <table border="1"> <tr> <td>PCB DES.</td> <td>KEJLM</td> </tr> <tr> <td>APP ENG.</td> <td>ERIC.H</td> </tr> </table>	PCB DES.	KEJLM	APP ENG.	ERIC.H	<p>ANALOG DEVICES POWER BY LINEAR</p> <p>www.analog.com Phone: (408)432-1900</p>
	PCB DES.	KEJLM				
APP ENG.	ERIC.H					
<p>TITLE: SCHEMATIC</p> <p>24-PORT IEEE 802.3M PSE MOTHER BOARD</p> <p>IC NO. LTC3639EMSE#TRPBF SCHEMATIC NO. AND REVISION: 710-DC3017A-B_REV03</p> <p>SKU NO. DC3017A</p> <p>SIZE: N/A DATE: SHEET 1 OF 11</p>						

CONFIGURATIONS

REVISION HISTORY				
ECO	REV	DESCRIPTION	APPROVED	DATE
	3			

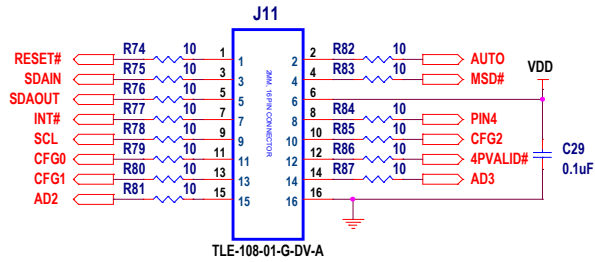


NOTE: UNLESS OTHERWISE SPECIFIED
 1. ALL RESISTORS AND CAPACITORS ARE 0603.
 2. INSTALL SHUNTS AS SHOWN.

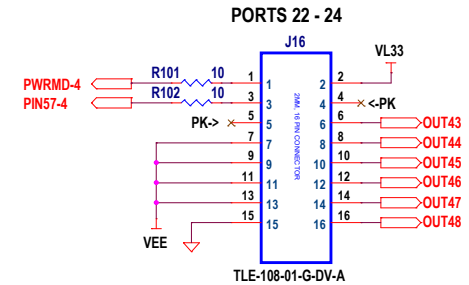
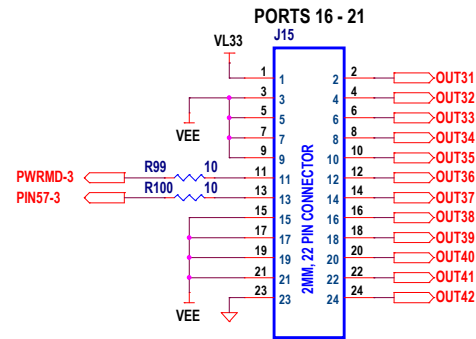
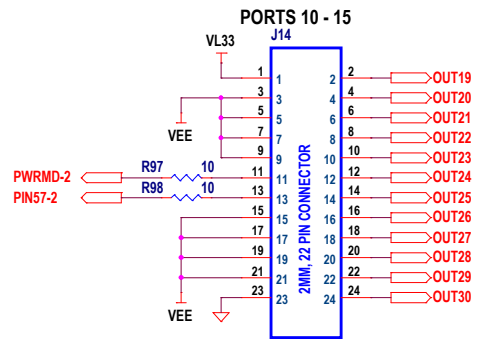
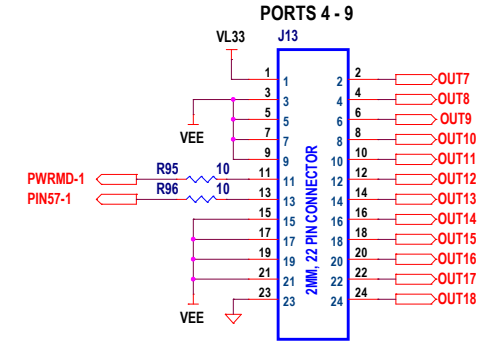
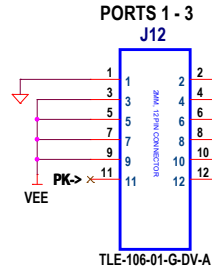
CUSTOMER NOTICE		APPROVALS		ANALOG DEVICES		POWER BY LINEAR	
ANALOG DEVICES HAS MADE A BEST EFFORT TO DESIGN A CIRCUIT THAT MEETS CUSTOMER-SUPPLIED SPECIFICATIONS; HOWEVER, IT REMAINS THE CUSTOMER'S RESPONSIBILITY TO VERIFY PROPER AND RELIABLE OPERATION IN THE ACTUAL APPLICATION. COMPONENT SUBSTITUTION AND PRINTED CIRCUIT BOARD LAYOUT MAY SIGNIFICANTLY AFFECT CIRCUIT PERFORMANCE OR RELIABILITY. CONTACT ANALOG DEVICES APPLICATIONS ENGINEERING FOR ASSISTANCE.		PCB DES.	KENM	www.analog.com		Phone: (408)432-1900	
THIS CIRCUIT IS PROPRIETARY TO ANALOG DEVICES AND SUPPLIED FOR USE WITH ANALOG DEVICES PARTS.		APP ENG.	ERIC.H				
TITLE: SCHEMATIC				24-PORT IEEE 802.3bt PSE MOTHER BOARD			
IC NO. LTC3639EMSE/ITRPF		SKU NO. DC3017A		SCHEMATIC NO. AND REVISION:		710-DC3017A-B_REV03	
SIZE: N/A		DATE:		SHEET		2 OF 11	

REVISION HISTORY				
ECO	REV	DESCRIPTION	APPROVED	DATE
	3			

DIGITAL CONNECTIONS



ANALOG CONNECTIONS



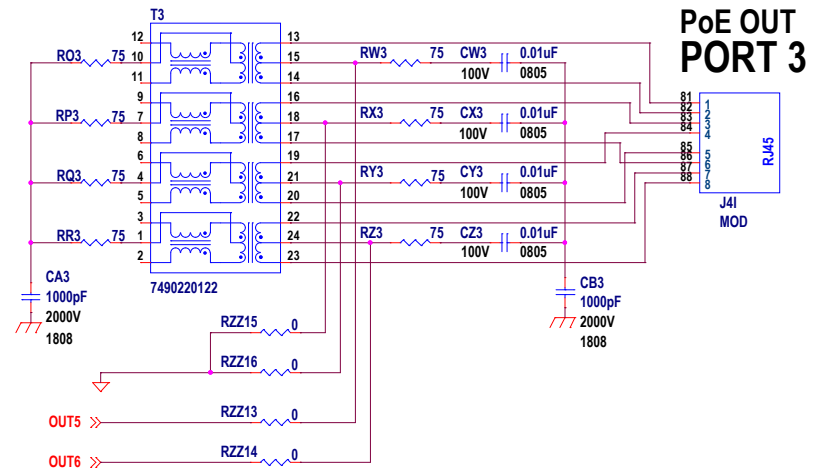
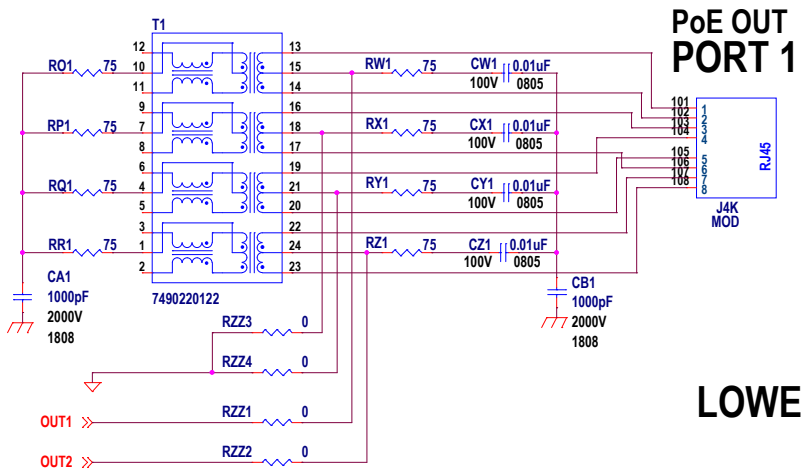
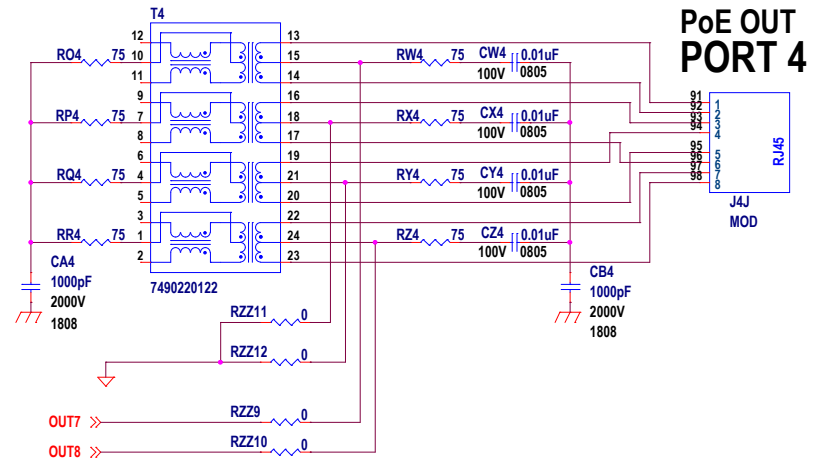
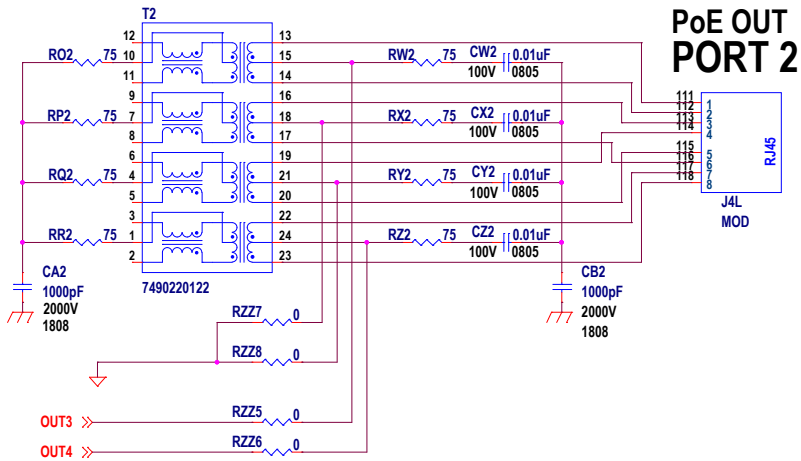
NOTE: UNLESS OTHERWISE SPECIFIED
 1. ALL RESISTORS AND CAPACITORS ARE 0603.
 2. INSTALL SHUNTS AS SHOWN.

CUSTOMER NOTICE		APPROVALS		ANALOG DEVICES		POWER BY LINEAR	
<small>ANALOG DEVICES HAS MADE A BEST EFFORT TO DESIGN A CIRCUIT THAT MEETS CUSTOMER-SUPPLIED SPECIFICATIONS; HOWEVER, IT REMAINS THE CUSTOMER'S RESPONSIBILITY TO VERIFY PROPER AND RELIABLE OPERATION IN THE ACTUAL APPLICATION. COMPONENT SUBSTITUTION AND PRINTED CIRCUIT BOARD LAYOUT MAY SIGNIFICANTLY AFFECT CIRCUIT PERFORMANCE OR RELIABILITY. CONTACT ANALOG DEVICES APPLICATIONS ENGINEERING FOR ASSISTANCE.</small>		PCB DES.	KEN.M				
		APP ENG.	ERIC.H				
<small>THIS CIRCUIT IS PROPRIETARY TO ANALOG DEVICES AND SUPPLIED FOR USE WITH ANALOG DEVICES PARTS.</small>				TITLE: SCHEMATIC 24-PORT IEEE 802.3bt PSE MOTHER BOARD			
				IC NO. LTC3639EMSE#TRPBF SKU NO. DC3017A		SCHEMATIC NO. AND REVISION: 710-DC3017A-B_REV03	
		SIZE: N/A	DATE:			SHEET 3 OF 11	

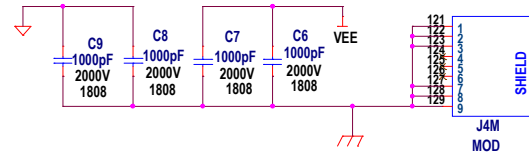
REVISION HISTORY				
ECO	REV	DESCRIPTION	APPROVED	DATE
	3			

PORTS 1 - 4

UPPER ROW



LOWER ROW

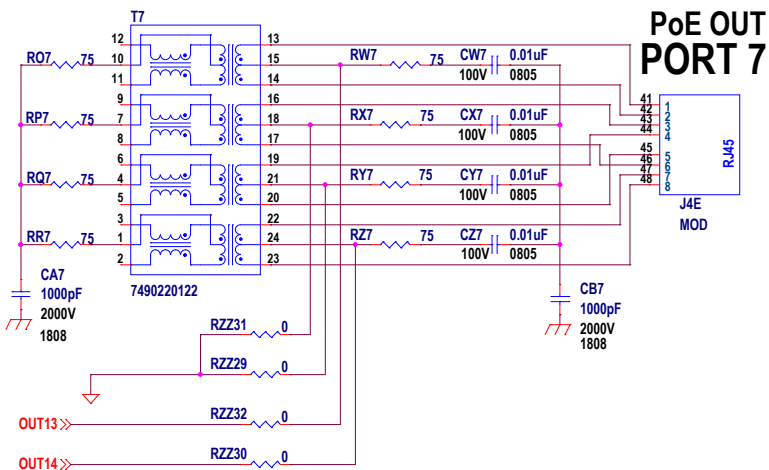
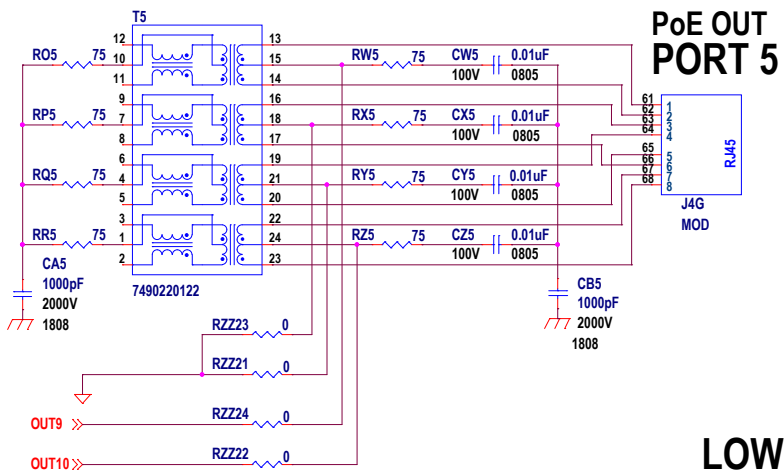
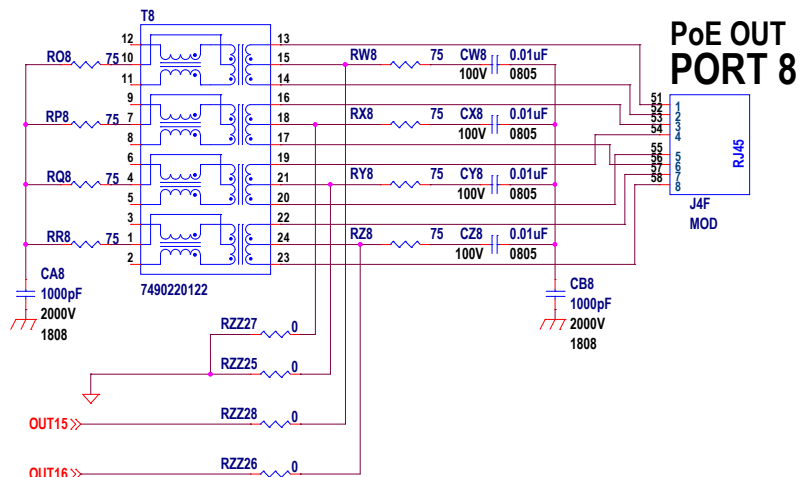
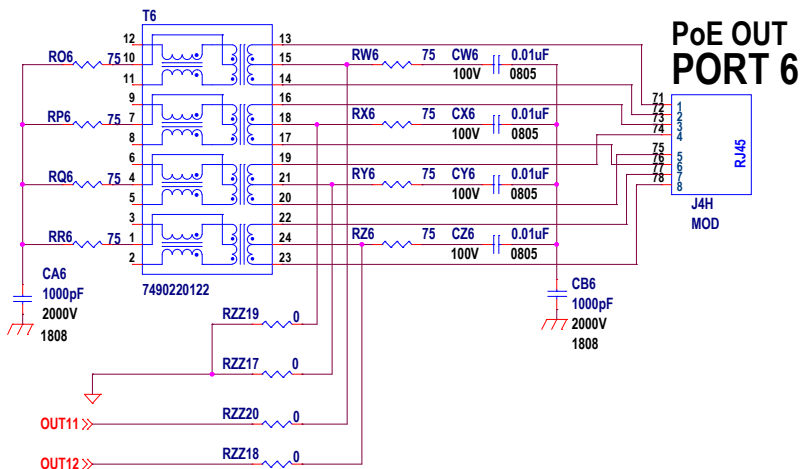


- NOTE: UNLESS OTHERWISE SPECIFIED**
1. ALL RESISTORS AND CAPACITORS ARE 0603.
 2. INSTALL SHUNTS AS SHOWN.

CUSTOMER NOTICE		APPROVALS		ANALOG DEVICES		POWER BY LINEAR	
<small>ANALOG DEVICES HAS MADE A BEST EFFORT TO DESIGN A CIRCUIT THAT MEETS CUSTOMER-SUPPLIED SPECIFICATIONS; HOWEVER, IT REMAINS THE CUSTOMER'S RESPONSIBILITY TO VERIFY PROPER AND RELIABLE OPERATION IN THE ACTUAL APPLICATION. COMPONENT SUBSTITUTION AND PRINTED CIRCUIT BOARD LAYOUT MAY SIGNIFICANTLY AFFECT CIRCUIT PERFORMANCE OR RELIABILITY. CONTACT ANALOG DEVICES APPLICATIONS ENGINEERING FOR ASSISTANCE.</small>				PCB DES.	KEN.M	www.analog.com	
				APP ENG.	ERIC.H	Phone: (408)432-1900	
				TITLE: SCHEMATIC			
				24-PORT IEEE 802.3bt PSE MOTHER BOARD			
IC NO.		LTC3639EMSE#TRPBF		SCHEMATIC NO. AND REVISION:			
SKU NO.		DC3017A		710-DC3017A-B_REV03			
THIS CIRCUIT IS PROPRIETARY TO ANALOG DEVICES AND SUPPLIED FOR USE WITH ANALOG DEVICES PARTS.		SIZE: N/A		DATE:		SHEET 4 OF 11	

REVISION HISTORY				
ECO	REV	DESCRIPTION	APPROVED	DATE
	3			

UPPER ROW



LOWER ROW

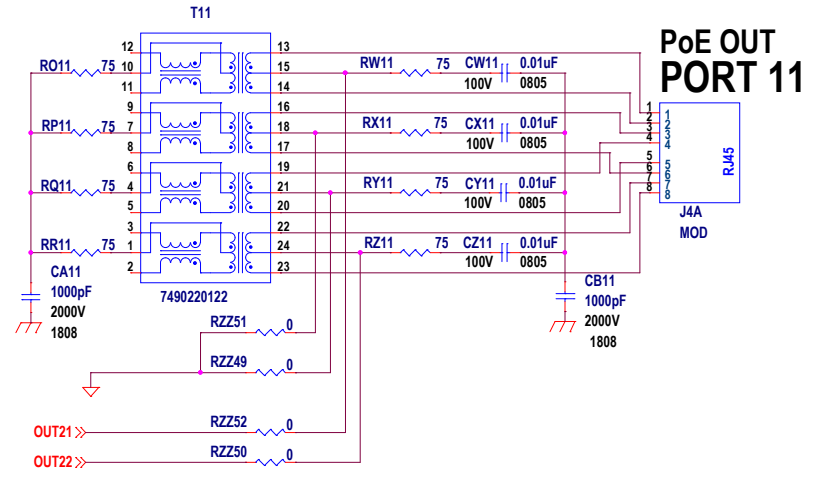
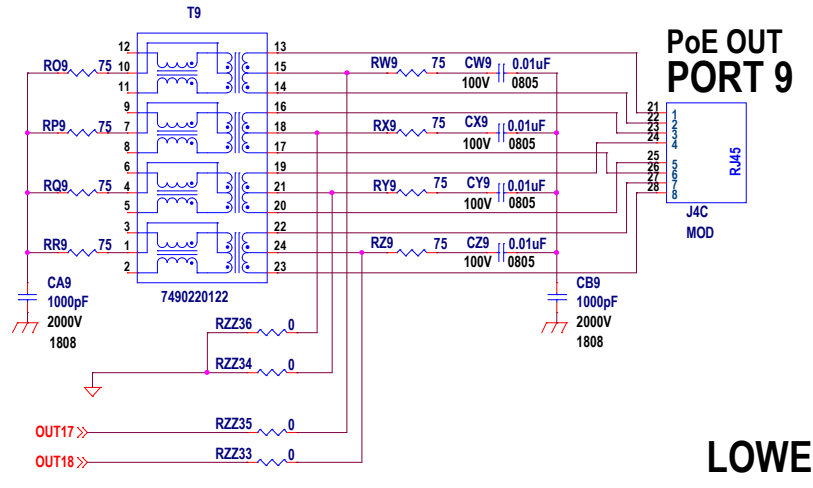
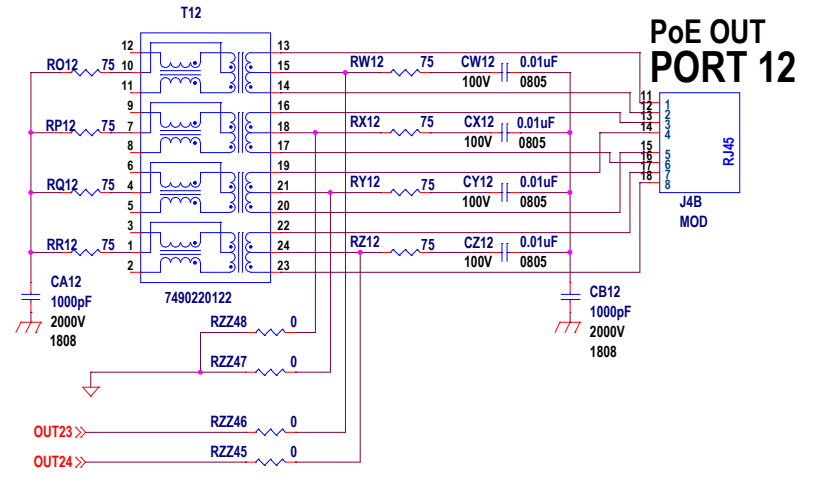
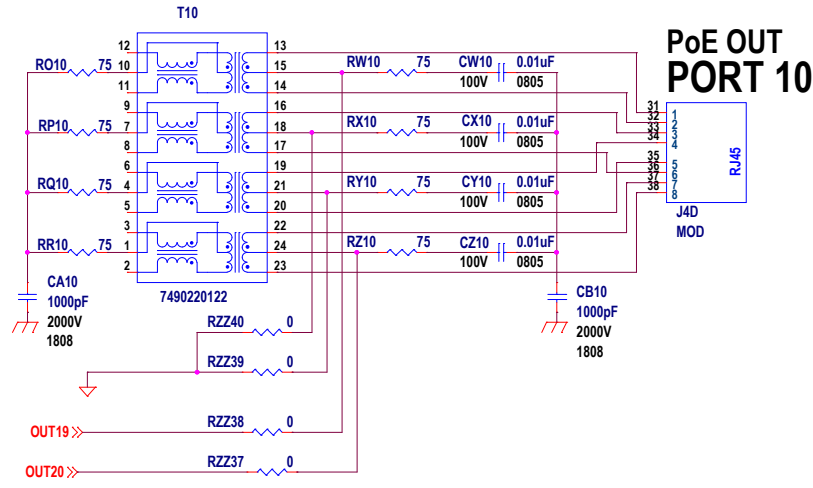
NOTE: UNLESS OTHERWISE SPECIFIED

1. ALL RESISTORS AND CAPACITORS ARE 0603.
2. INSTALL SHUNTS AS SHOWN.

CUSTOMER NOTICE		APPROVALS		ANALOG DEVICES		POWER BY LINEAR	
ANALOG DEVICES HAS MADE A BEST EFFORT TO DESIGN A CIRCUIT THAT MEETS CUSTOMER-SUPPLIED SPECIFICATIONS; HOWEVER, IT REMAINS THE CUSTOMER'S RESPONSIBILITY TO VERIFY PROPER AND RELIABLE OPERATION IN THE ACTUAL APPLICATION. COMPONENT SUBSTITUTION AND PRINTED CIRCUIT BOARD LAYOUT MAY SIGNIFICANTLY AFFECT CIRCUIT PERFORMANCE OR RELIABILITY. CONTACT ANALOG DEVICES APPLICATIONS ENGINEERING FOR ASSISTANCE.		PCB DES.	KEN.M	www.analog.com		Phone: (408)432-1900	
THIS CIRCUIT IS PROPRIETARY TO ANALOG DEVICES AND SUPPLIED FOR USE WITH ANALOG DEVICES PARTS.		APP ENG.	ERIC.H				
TITLE: SCHEMATIC				24-PORT IEEE 802.3bt PSE MOTHER BOARD			
IC NO. LTC3695EMSE#TRPBF		SCHEMATIC NO. AND REVISION:		SKU NO. DC3017A		710-DC3017A-B_REV03	
SIZE: N/A		DATE:		SHEET 5		OF 11	

UPPER ROW

REVISION HISTORY				
ECO	REV	DESCRIPTION	APPROVED	DATE
	3			



LOWER ROW

NOTE: UNLESS OTHERWISE SPECIFIED

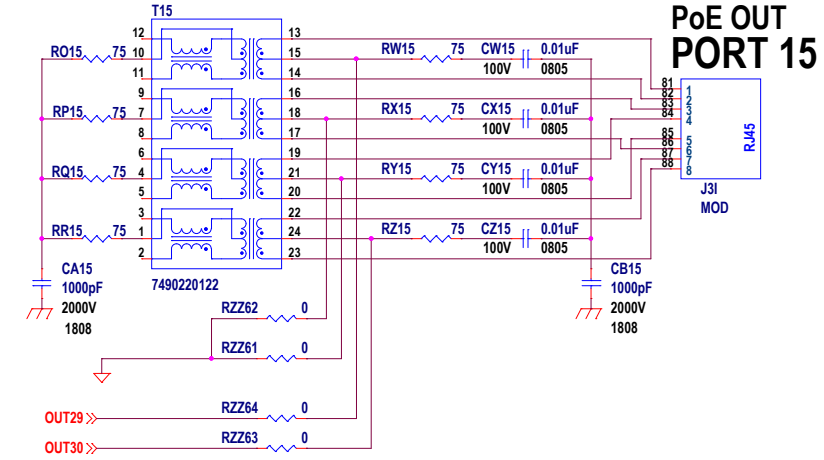
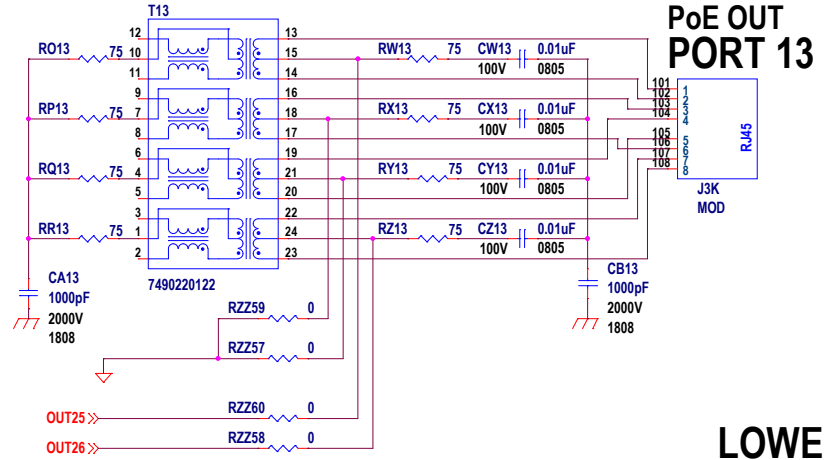
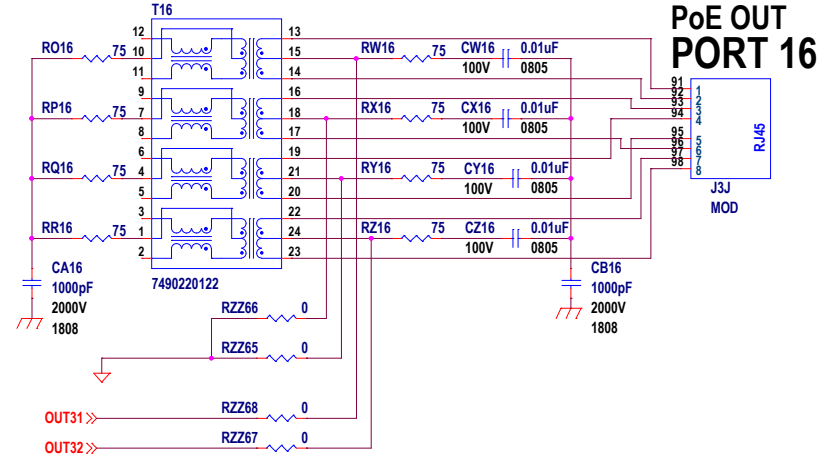
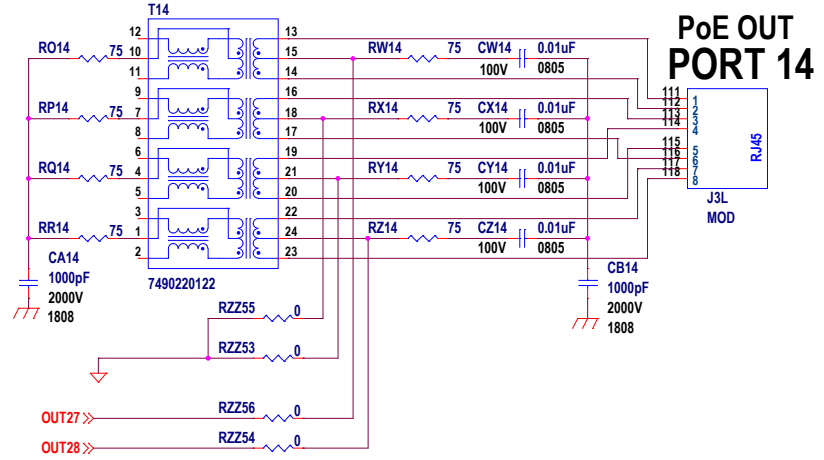
1. ALL RESISTORS AND CAPACITORS ARE 0603.
2. INSTALL SHUNTS AS SHOWN.

CUSTOMER NOTICE		APPROVALS		ANALOG DEVICES		POWER BY LINEAR	
ANALOG DEVICES HAS MADE A BEST EFFORT TO DESIGN A CIRCUIT THAT MEETS CUSTOMER-SUPPLIED SPECIFICATIONS; HOWEVER, IT REMAINS THE CUSTOMER'S RESPONSIBILITY TO VERIFY PROPER AND RELIABLE OPERATION IN THE ACTUAL APPLICATION. COMPONENT SUBSTITUTION AND PRINTED CIRCUIT BOARD LAYOUT MAY SIGNIFICANTLY AFFECT CIRCUIT PERFORMANCE OR RELIABILITY. CONTACT ANALOG DEVICES APPLICATIONS ENGINEERING FOR ASSISTANCE.		PCB DES.	KENM	www.analog.com		Phone: (408)432-1900	
THIS CIRCUIT IS PROPRIETARY TO ANALOG DEVICES AND SUPPLIED FOR USE WITH ANALOG DEVICES PARTS.		APP ENG.	ERIC.H				
TITLE: SCHEMATIC				24-PORT IEEE802.3bt PSE MOTHER BOARD			
IC NO. LTC3639EMSE#TRPBF		SCHEMATIC NO. AND REVISION:		SKU NO. DC3017A		710-DC3017A-B_REV03	
SIZE: N/A		DATE:		SHEET 6 OF 11			

REVISION HISTORY				
ECO	REV	DESCRIPTION	APPROVED	DATE
	3			

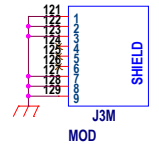
PORTS 13 - 16

UPPER ROW



LOWER ROW

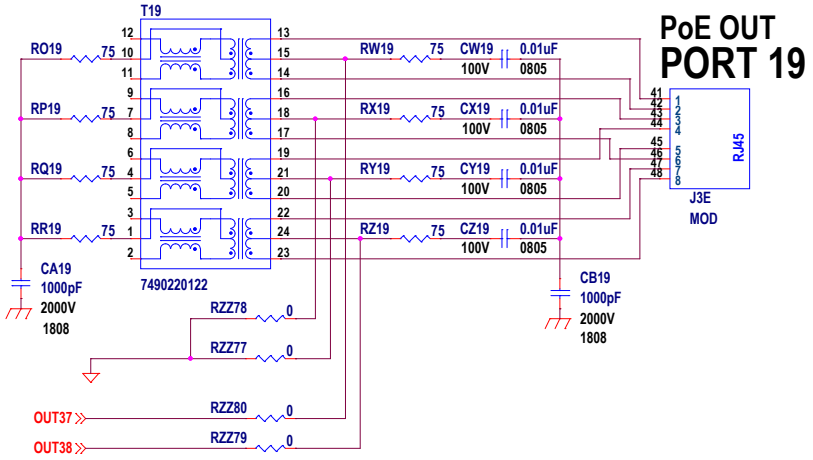
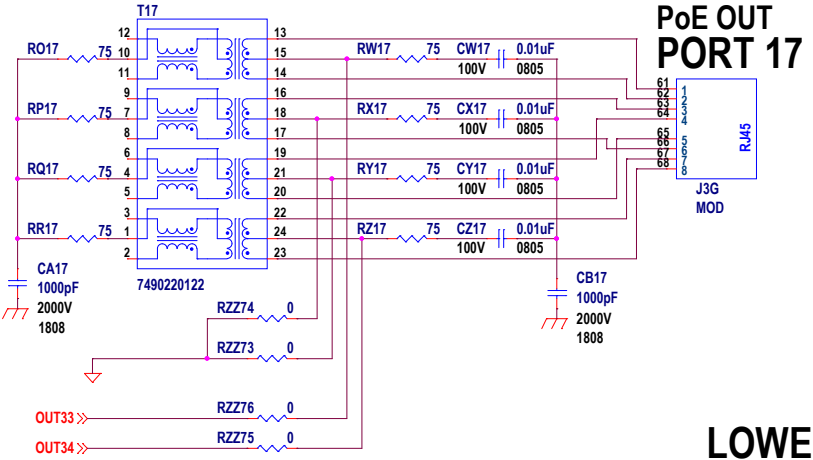
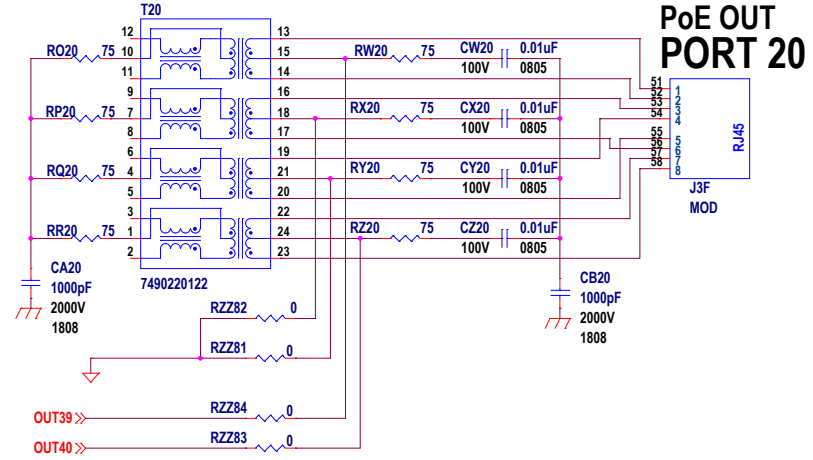
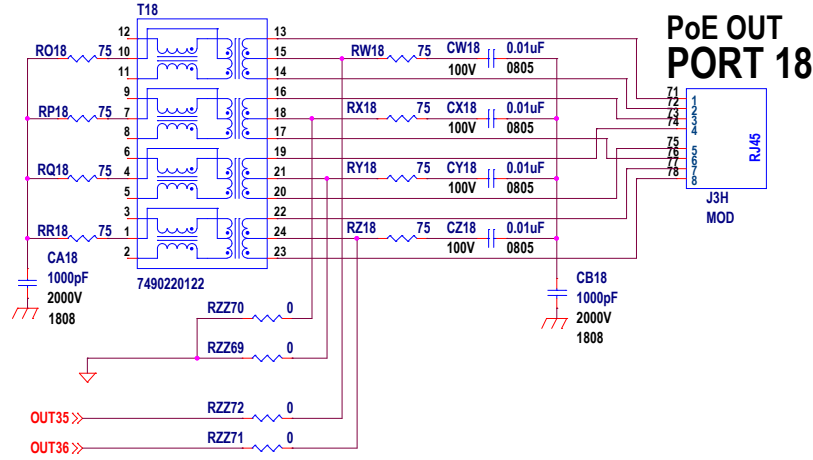
NOTE: UNLESS OTHERWISE SPECIFIED
 1. ALL RESISTORS AND CAPACITORS ARE 0603.
 2. INSTALL SHUNTS AS SHOWN.



CUSTOMER NOTICE		APPROVALS		ANALOG DEVICES		POWER BY LINEAR	
ANALOG DEVICES HAS MADE A BEST EFFORT TO DESIGN A CIRCUIT THAT MEETS CUSTOMER-SUPPLIED SPECIFICATIONS; HOWEVER, IT REMAINS THE CUSTOMER'S RESPONSIBILITY TO VERIFY PROPER AND RELIABLE OPERATION IN THE ACTUAL APPLICATION. COMPONENT SUBSTITUTION AND PRINTED CIRCUIT BOARD LAYOUT MAY SIGNIFICANTLY AFFECT CIRCUIT PERFORMANCE OR RELIABILITY. CONTACT ANALOG DEVICES APPLICATIONS ENGINEERING FOR ASSISTANCE.		PCB DES.	KENM	www.analog.com		Phone: (408)432-1900	
THIS CIRCUIT IS PROPRIETARY TO ANALOG DEVICES AND SUPPLIED FOR USE WITH ANALOG DEVICES PARTS.		APP ENG.	ERIC.H	TITLE: SCHEMATIC			
				24-PORT IEEE802.3bt PSE MOTHER BOARD			
				IC NO. LTC3639EMSE#TRPBF		SCHEMATIC NO. AND REVISION:	
				SKU NO. DC3017A		710-DC3017A-B_REV03	
				SIZE: N/A		DATE:	
						SHEET 7 OF 11	

UPPER ROW

REVISION HISTORY				
ECO	REV	DESCRIPTION	APPROVED	DATE
	3			



LOWER ROW

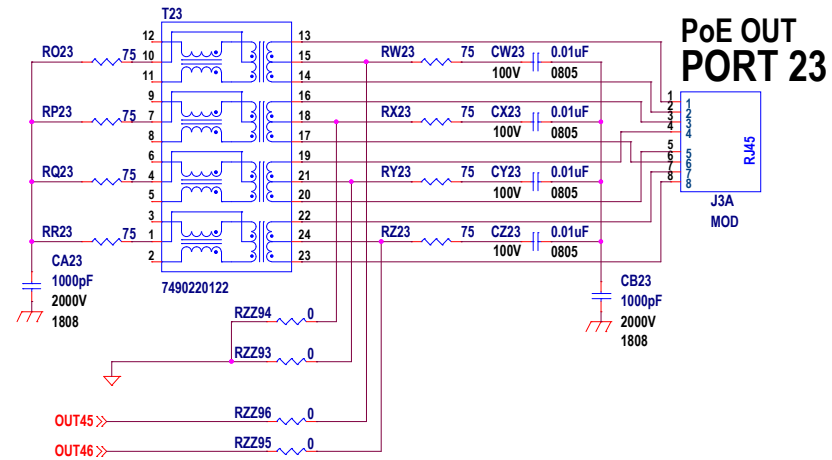
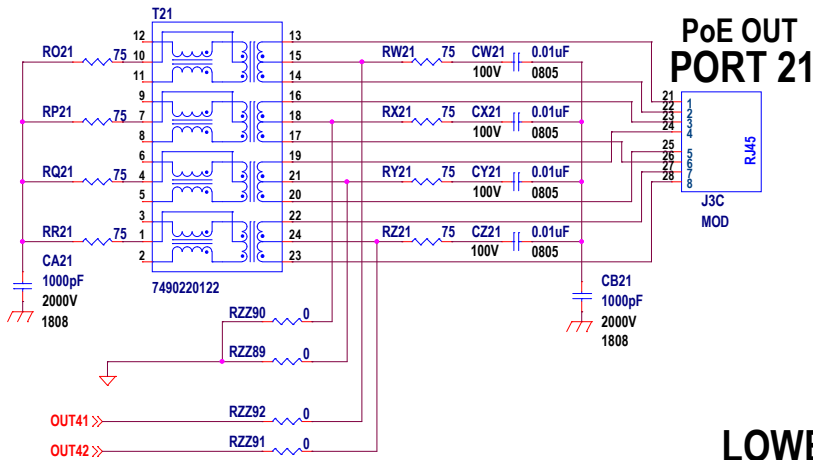
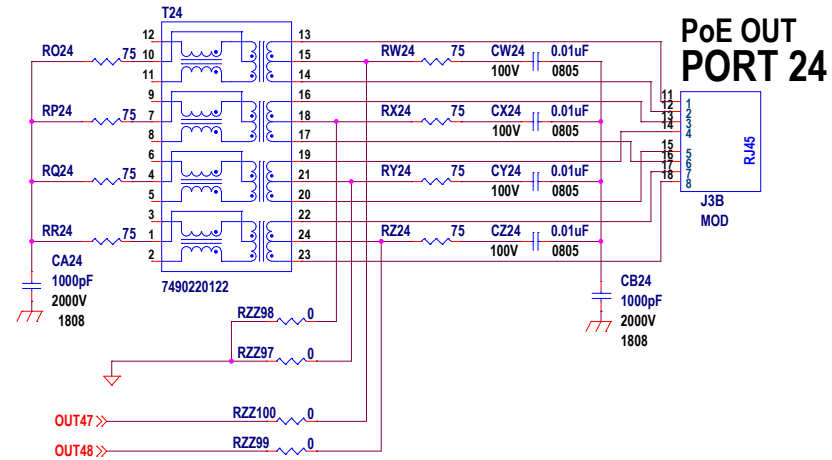
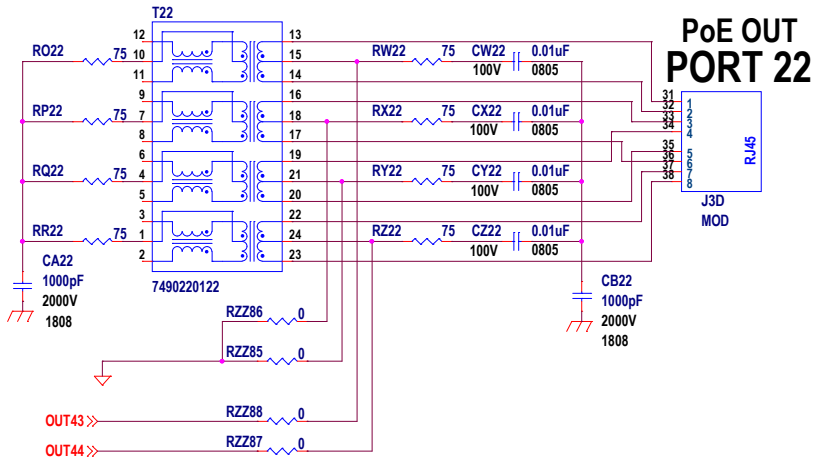
NOTE: UNLESS OTHERWISE SPECIFIED

1. ALL RESISTORS AND CAPACITORS ARE 0603.
2. INSTALL SHUNTS AS SHOWN.

CUSTOMER NOTICE		APPROVALS		ANALOG DEVICES		POWER BY LINEAR	
ANALOG DEVICES HAS MADE A BEST EFFORT TO DESIGN A CIRCUIT THAT MEETS CUSTOMER-SUPPLIED SPECIFICATIONS; HOWEVER, IT REMAINS THE CUSTOMER'S RESPONSIBILITY TO VERIFY PROPER AND RELIABLE OPERATION IN THEIR APPLICATION. COMPONENT SUBSTITUTION AND PRINTED CIRCUIT BOARD LAYOUT MAY SIGNIFICANTLY AFFECT CIRCUIT PERFORMANCE OR RELIABILITY. CONTACT ANALOG DEVICES APPLICATIONS ENGINEERING FOR ASSISTANCE.		PCB DES.	KEN.M	www.analog.com		Phone: (408)432-1900	
THIS CIRCUIT IS PROPRIETARY TO ANALOG DEVICES AND SUPPLIED FOR USE WITH ANALOG DEVICES PARTS.		APP ENG.	ERIC.H				
TITLE: SCHEMATIC				24-PORT IEEE 802.3bt PSE MOTHER BOARD			
IC NO. LTC3639EMSE#TRPBF		SKU NO. DC3017A		SCHEMATIC NO. AND REVISION:		710-DC3017A-B_REV03	
SIZE: N/A		DATE:		SHEET 8 OF 11			

UPPER ROW

ECO		REV	DESCRIPTION	APPROVED	DATE
		3			



LOWER ROW

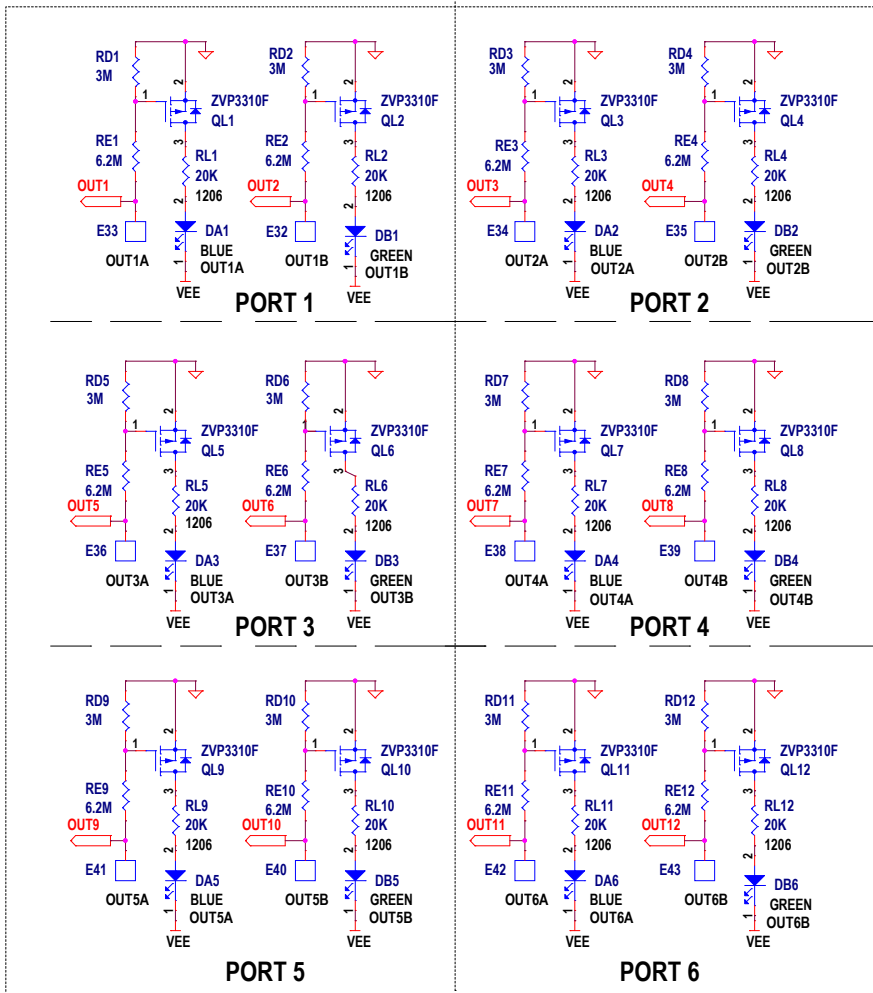
NOTE: UNLESS OTHERWISE SPECIFIED

1. ALL RESISTORS AND CAPACITORS ARE 0603.
2. INSTALL SHUNTS AS SHOWN.

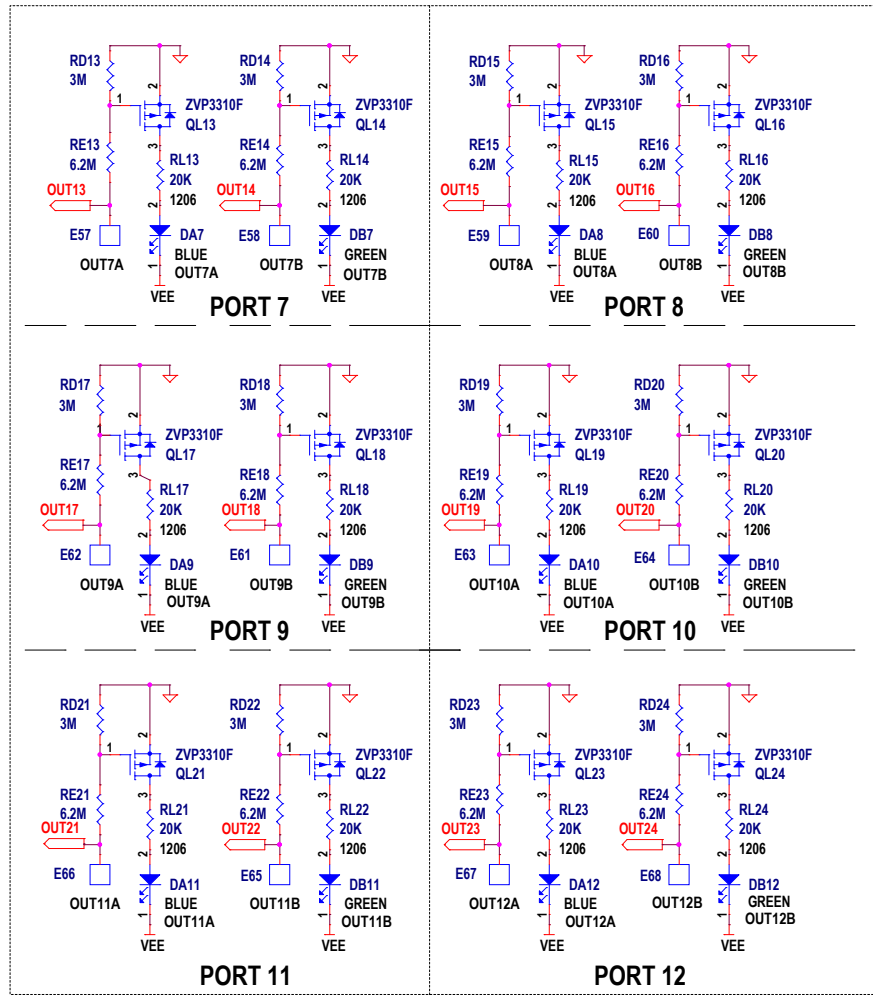
CUSTOMER NOTICE		APPROVALS		ANALOG DEVICES		POWER BY LINEAR	
ANALOG DEVICES HAS MADE A BEST EFFORT TO DESIGN A CIRCUIT THAT MEETS CUSTOMER-SUPPLIED SPECIFICATIONS; HOWEVER, IT REMAINS THE CUSTOMER'S RESPONSIBILITY TO VERIFY PROPER AND RELIABLE OPERATION IN THE ACTUAL APPLICATION. COMPONENT SUBSTITUTION AND PRINTED CIRCUIT BOARD LAYOUT MAY SIGNIFICANTLY AFFECT CIRCUIT PERFORMANCE OR RELIABILITY. CONTACT ANALOG DEVICES APPLICATIONS ENGINEERING FOR ASSISTANCE.		PCB DES.	KEN.M	www.analog.com		Phone: (408)432-1900	
THIS CIRCUIT IS PROPRIETARY TO ANALOG DEVICES AND SUPPLIED FOR USE WITH ANALOG DEVICES PARTS.		APP ENG.	ERIC.H				
TITLE: SCHEMATIC				24-PORT IEEE802.3bt PSE MOTHER BOARD			
IC NO. LTC3639EMSE#TRPBF		SKU NO. DC3017A		SCHEMATIC NO. AND REVISION:		710-DC3017A-B_REV03	
SIZE: N/A		DATE:		SHEET		9 OF 11	

ECO		REV	DESCRIPTION	APPROVED	DATE
		3			

OPTIONAL PORT LED DRIVERS - PORTS 1 TO 6



OPTIONAL PORT LED DRIVERS - PORTS 7 - 12



NOTE: UNLESS OTHERWISE SPECIFIED

1. ALL RESISTORS AND CAPACITORS ARE 0603.
2. INSTALL SHUNTS AS SHOWN.

CUSTOMER NOTICE
 ANALOG DEVICES HAS MADE A BEST EFFORT TO DESIGN A CIRCUIT THAT MEETS CUSTOMER-SUPPLIED SPECIFICATIONS; HOWEVER, IT REMAINS THE CUSTOMER'S RESPONSIBILITY TO VERIFY PROPER AND RELIABLE OPERATION IN THE ACTUAL APPLICATION. COMPONENT SUBSTITUTION AND PRINTED CIRCUIT BOARD LAYOUT MAY SIGNIFICANTLY AFFECT CIRCUIT PERFORMANCE OR RELIABILITY. CONTACT ANALOG DEVICES APPLICATIONS ENGINEERING FOR ASSISTANCE.

APPROVALS	
PCB DES.	KEN/M
APP ENG.	ERIC/H

ANALOG DEVICES **POWER BY LINEAR**
www.analog.com Phone: (408)432-1900

TITLE: SCHEMATIC
 24-PORT IEEE 802.3bt PSE MOTHER BOARD

IC NO. LTC3639EMSE#TRPBF
 SKU NO. DC3017A
 SCHEMATIC NO. AND REVISION:
710-DC3017A-B_REV03

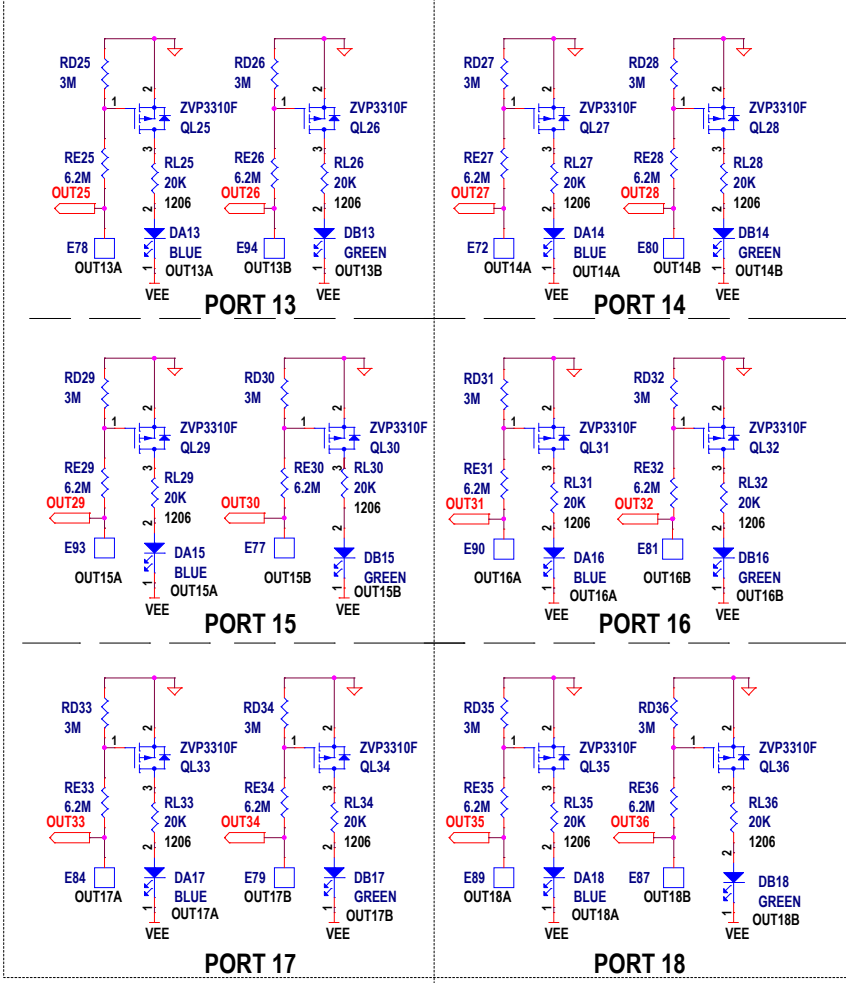
SIZE: N/A DATE: SHEET 10 OF 11

THIS CIRCUIT IS PROPRIETARY TO ANALOG DEVICES AND SUPPLIED FOR USE WITH ANALOG DEVICES PARTS.

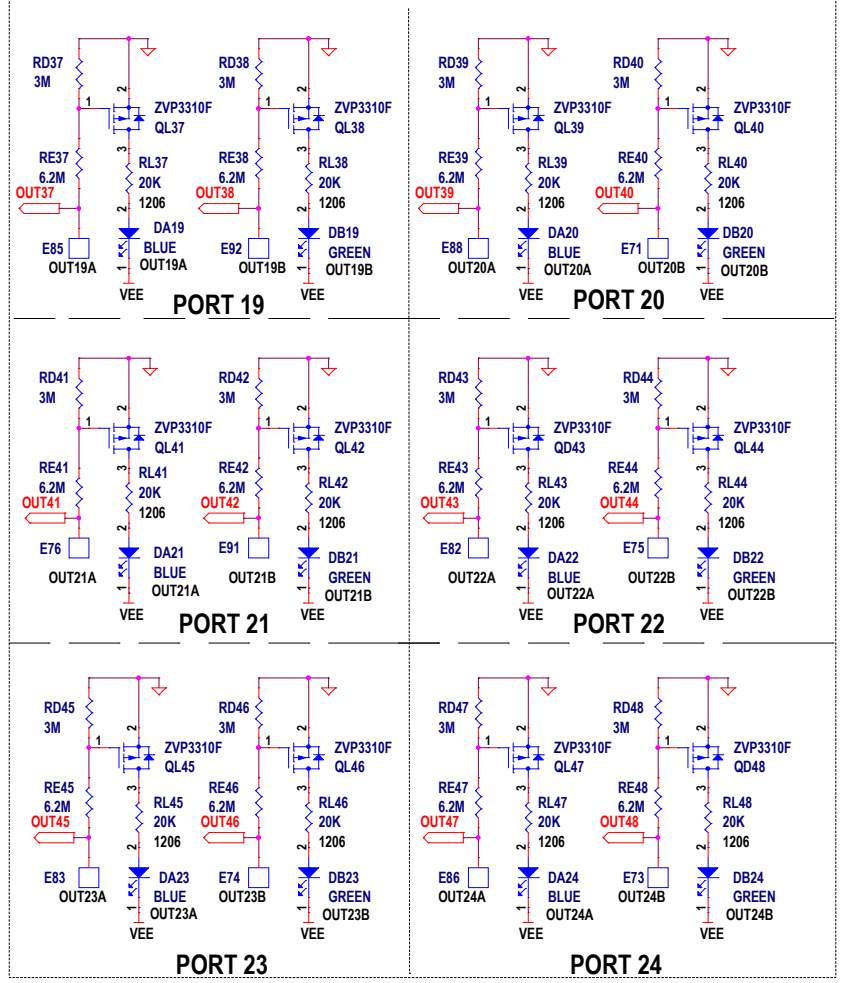
REVISION HISTORY				
ECO	REV	DESCRIPTION	APPROVED	DATE
	3			

PORTS 13-24 LEDS

OPTIONAL PORT LED DRIVERS - PORTS 13 -18



OPTIONAL PORT LED DRIVERS - PORTS 19 -24



NOTE: UNLESS OTHERWISE SPECIFIED
 1. ALL RESISTORS AND CAPACITORS ARE 0603.
 2. INSTALL SHUNTS AS SHOWN.

CUSTOMER NOTICE
 ANALOG DEVICES HAS MADE A BEST EFFORT TO DESIGN A CIRCUIT THAT MEETS CUSTOMER-SUPPLIED SPECIFICATIONS; HOWEVER, IT REMAINS THE CUSTOMER'S RESPONSIBILITY TO VERIFY PROPER AND RELIABLE OPERATION IN THE ACTUAL APPLICATION. COMPONENT SUBSTITUTION AND PRINTED CIRCUIT BOARD LAYOUT MAY SIGNIFICANTLY AFFECT CIRCUIT PERFORMANCE OR RELIABILITY. CONTACT ANALOG DEVICES APPLICATIONS ENGINEERING FOR ASSISTANCE.

APPROVALS	
PCB DES.	KEN/M
APP ENG.	ERIC/H

ANALOG DEVICES **POWER BY LINEAR**
 www.analog.com Phone: (408)432-1900

TITLE: SCHEMATIC
 24-PORT IEEE 802.3bt PSE MOTHER BOARD

IC NO. LTC3639EMSE#TRPBF SCHEMATIC NO. AND REVISION:
 SKU NO. DC3017A 710-DC3017A-B_REV03

SIZE: N/A DATE: SHEET 11 OF 11

THIS CIRCUIT IS PROPRIETARY TO ANALOG DEVICES AND SUPPLIED FOR USE WITH ANALOG DEVICES PARTS.