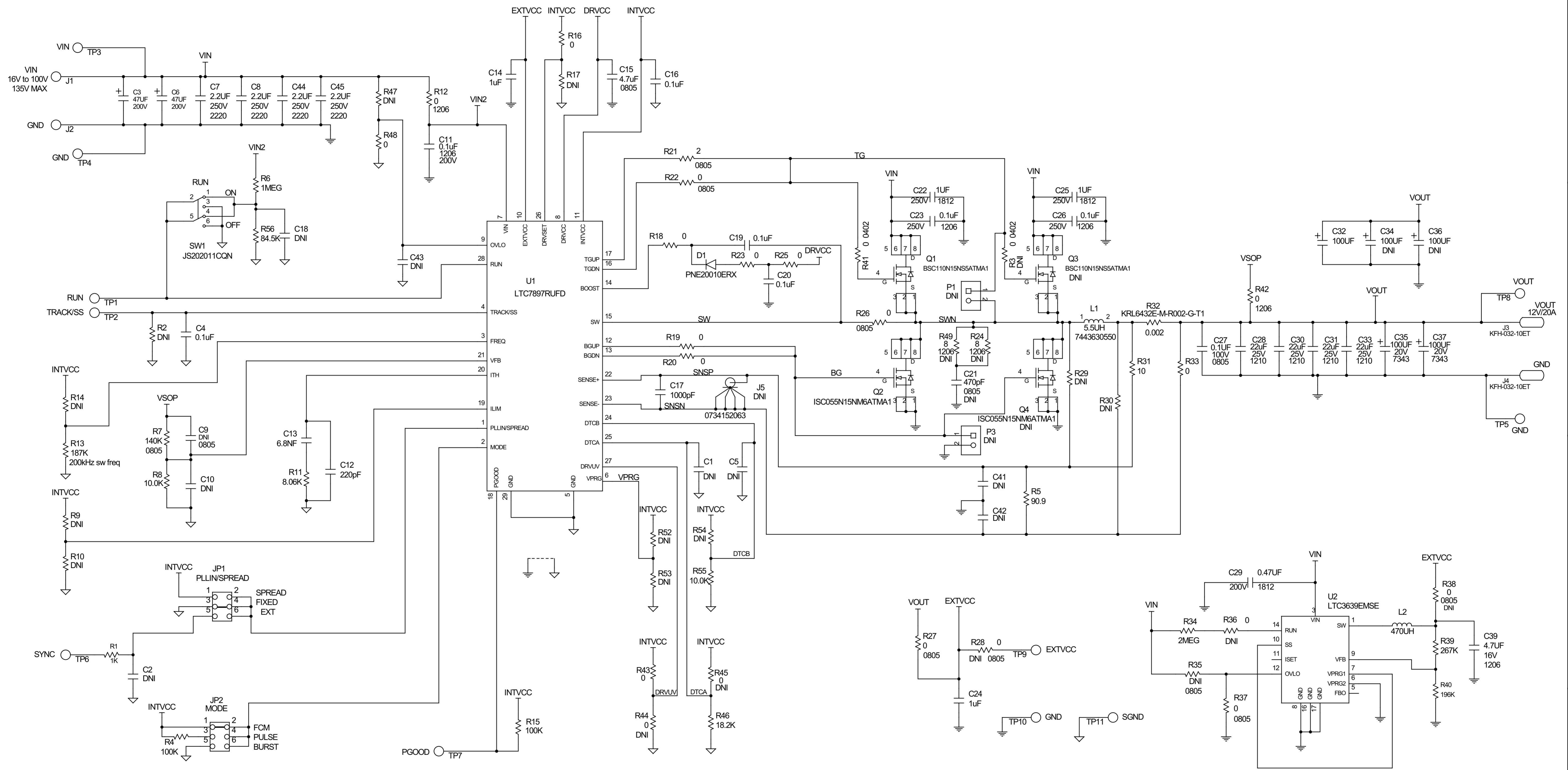


REVISIONS			
REV	DESCRIPTION	DATE	APPROVED
A	INITIAL RELEASE	16DEC24	X



NOTE: UNLESS OTHERWISE SPECIFIED

- 1. ALL RESISTORS ARE 0603, 1%.
- ALL CAPACITORS ARE 0603.

	SCHEMATIC		
	HW TYPE : Customer Evaluation		
Product(s): EVAL-LTC7897-AZ			
WIDE INPUT AND OUTPUT VOLTAGE SYNCHRONOUS BUCK CONTROLLER			
DESIGN VIEW	DRAWING NO.	REV	
\$DESIGN_VIEW	02_083560	A	
PTD ENGINEER	SCALE	SHEET 1 OF 1	
-	D 1:1		