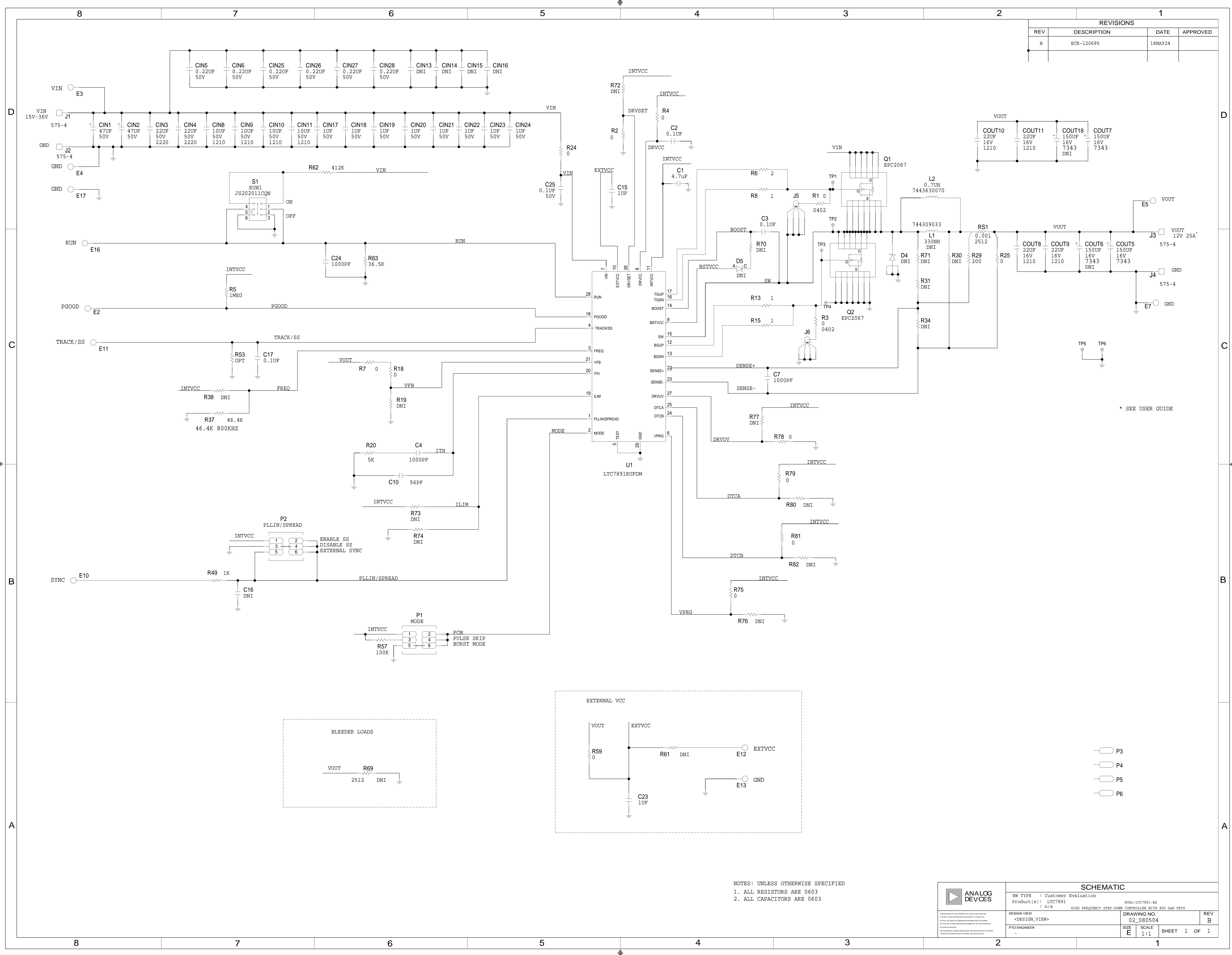
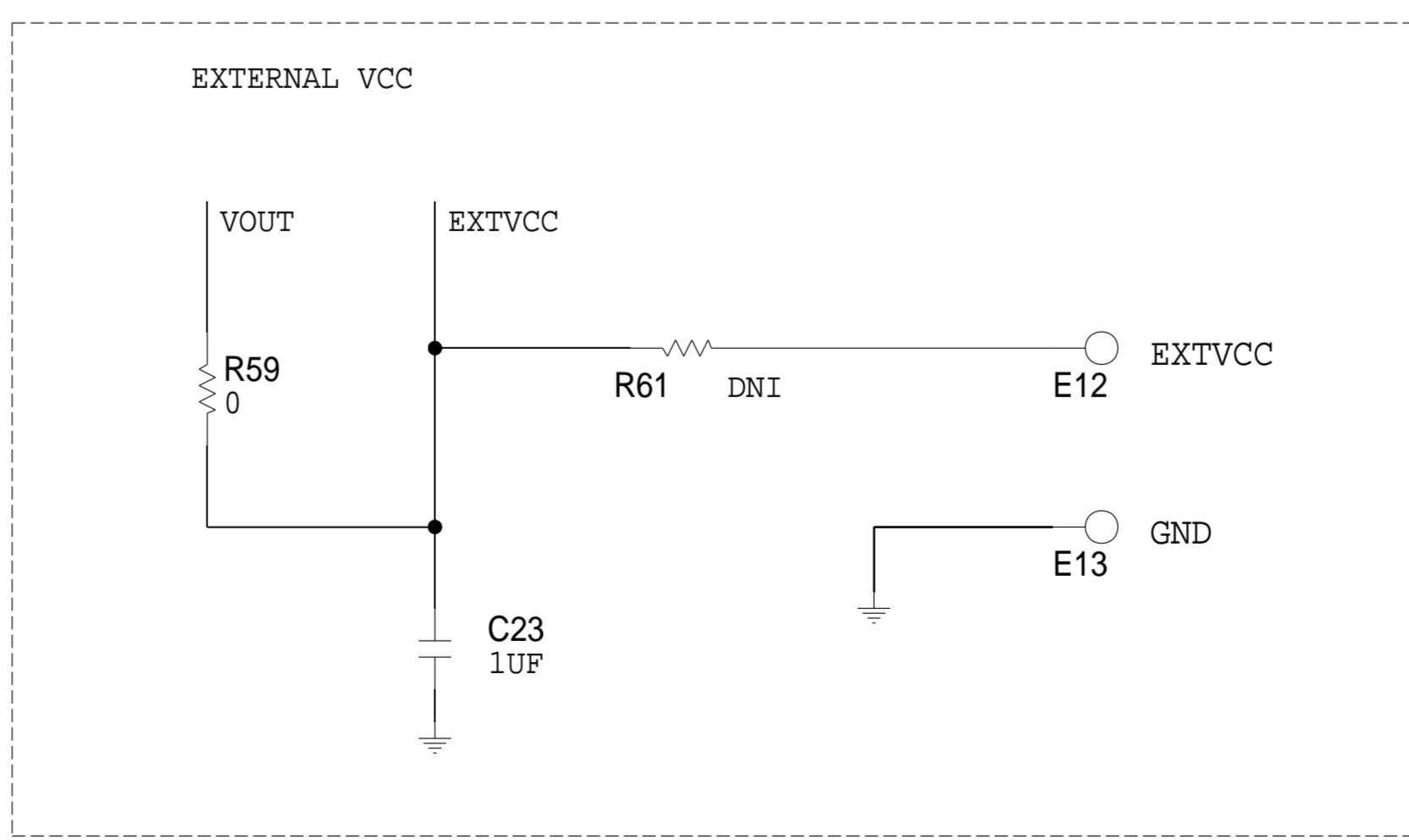
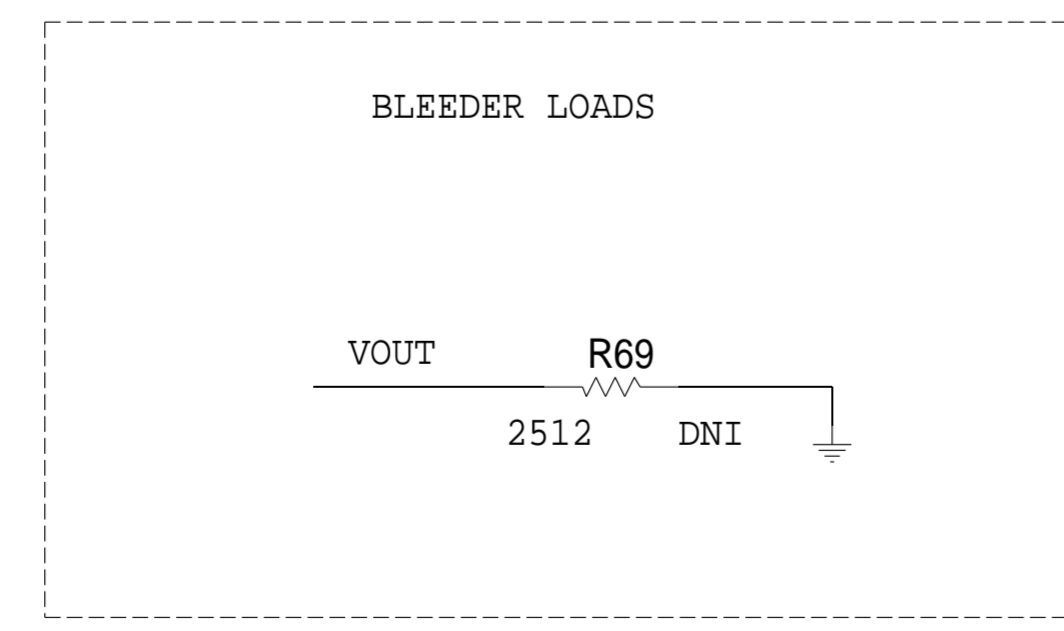


REVISIONS			
REV	DESCRIPTION	DATE	APPROVED
B	ECR-120695	16MAY24	



* SEE USER GUIDE



- P3
- P4
- P5
- P6

NOTES: UNLESS OTHERWISE SPECIFIED
 1. ALL RESISTORS ARE 0603
 2. ALL CAPACITORS ARE 0603

ANALOG DEVICES		SCHEMATIC	
HW TYPE : Customer Evaluation	Product(s) : LTC7891	REV : 02_080504	REV B
DESIGN VIEW : <DESIGN_VIEW>	PTD ENGINEER : -	DRAWING NO. : 02_080504	SIZE : E
		SCALE : 1:1	SHEET 1 OF 1