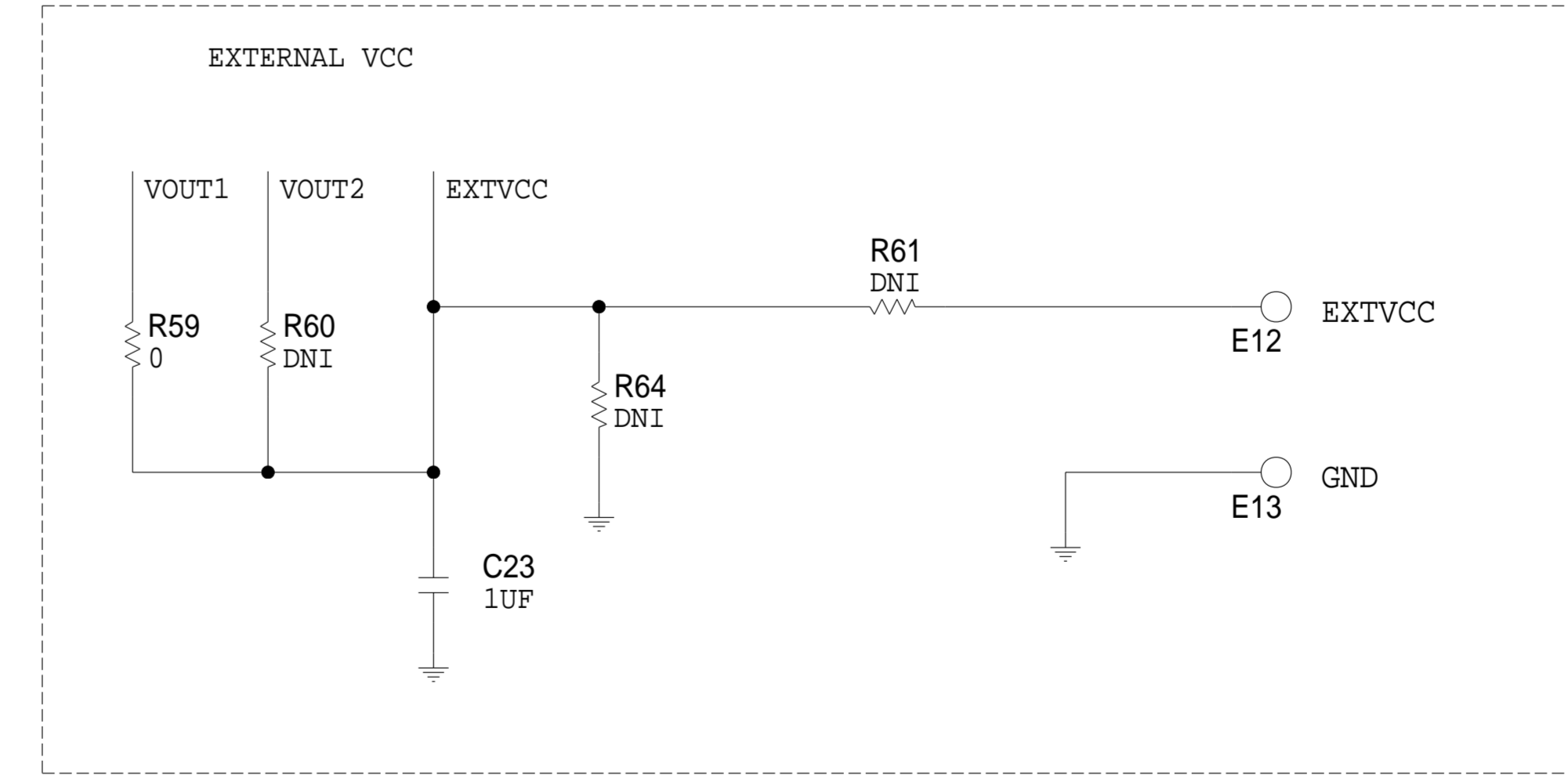
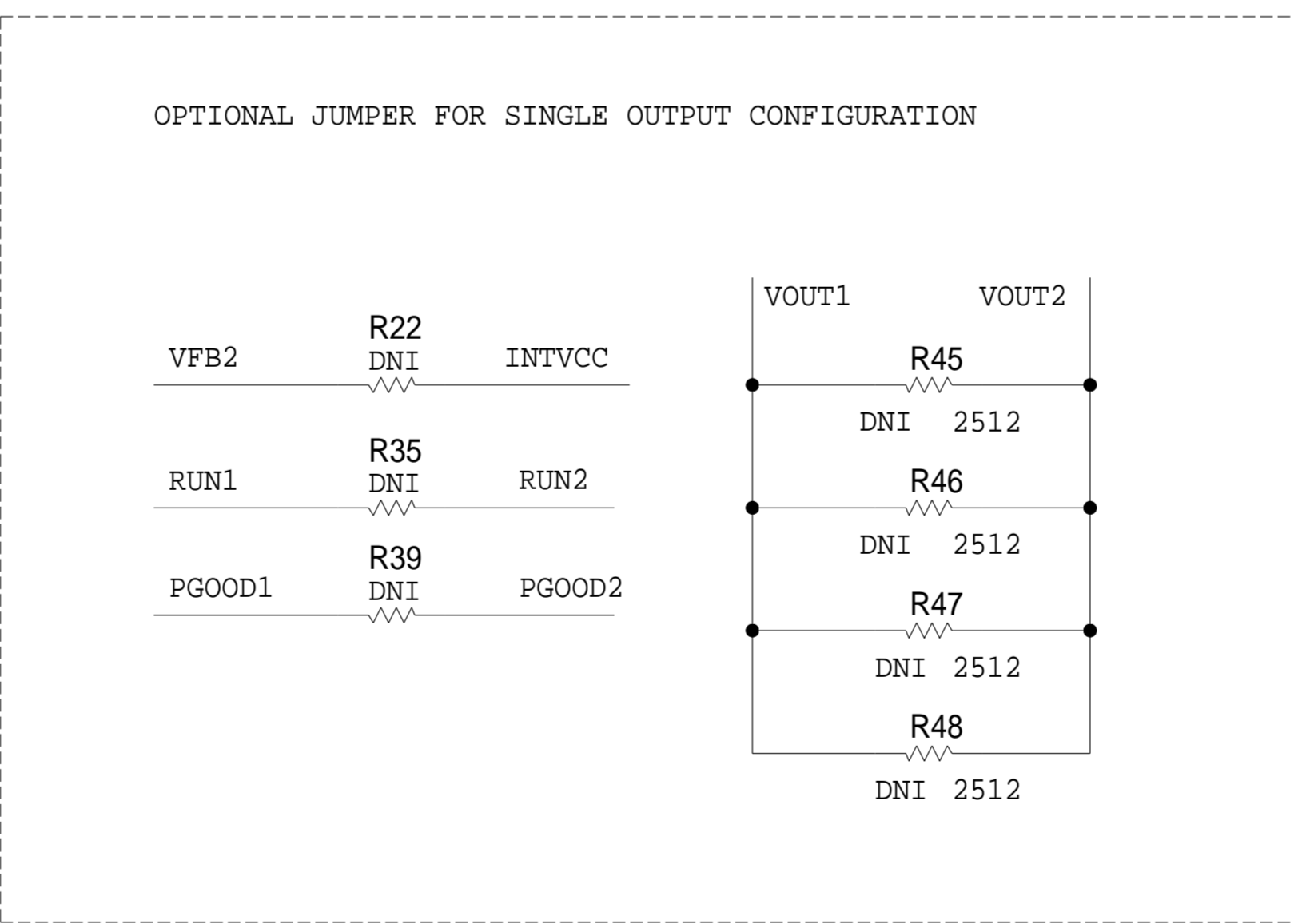
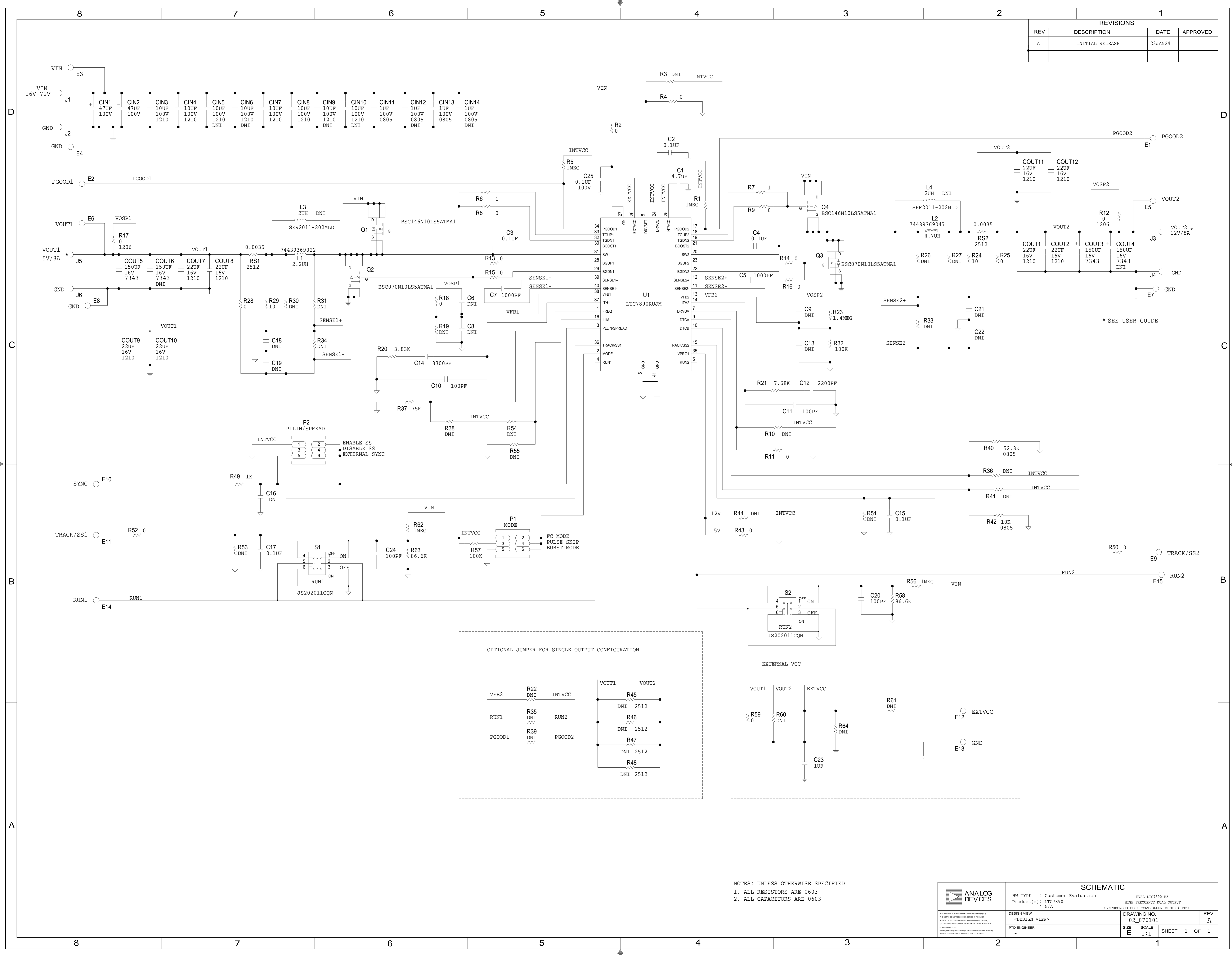


REVISIONS			
REV	DESCRIPTION	DATE	APPROVED
A	INITIAL RELEASE	23JAN24	



NOTES: UNLESS OTHERWISE SPECIFIED  
 1. ALL RESISTORS ARE 0603  
 2. ALL CAPACITORS ARE 0603

	<b>SCHEMATIC</b> HW TYPE : Customer Evaluation Product(s) : LTC7890 EVAL-LTC7890-BZ HIGH FREQUENCY DUAL OUTPUT SYNCHRONOUS BUCK CONTROLLER WITH SI FETS	
	DESIGN VIEW <DESIGN_VIEW> PTD ENGINEER : -	DRAWING NO. 02_076101 SCALE 1:1