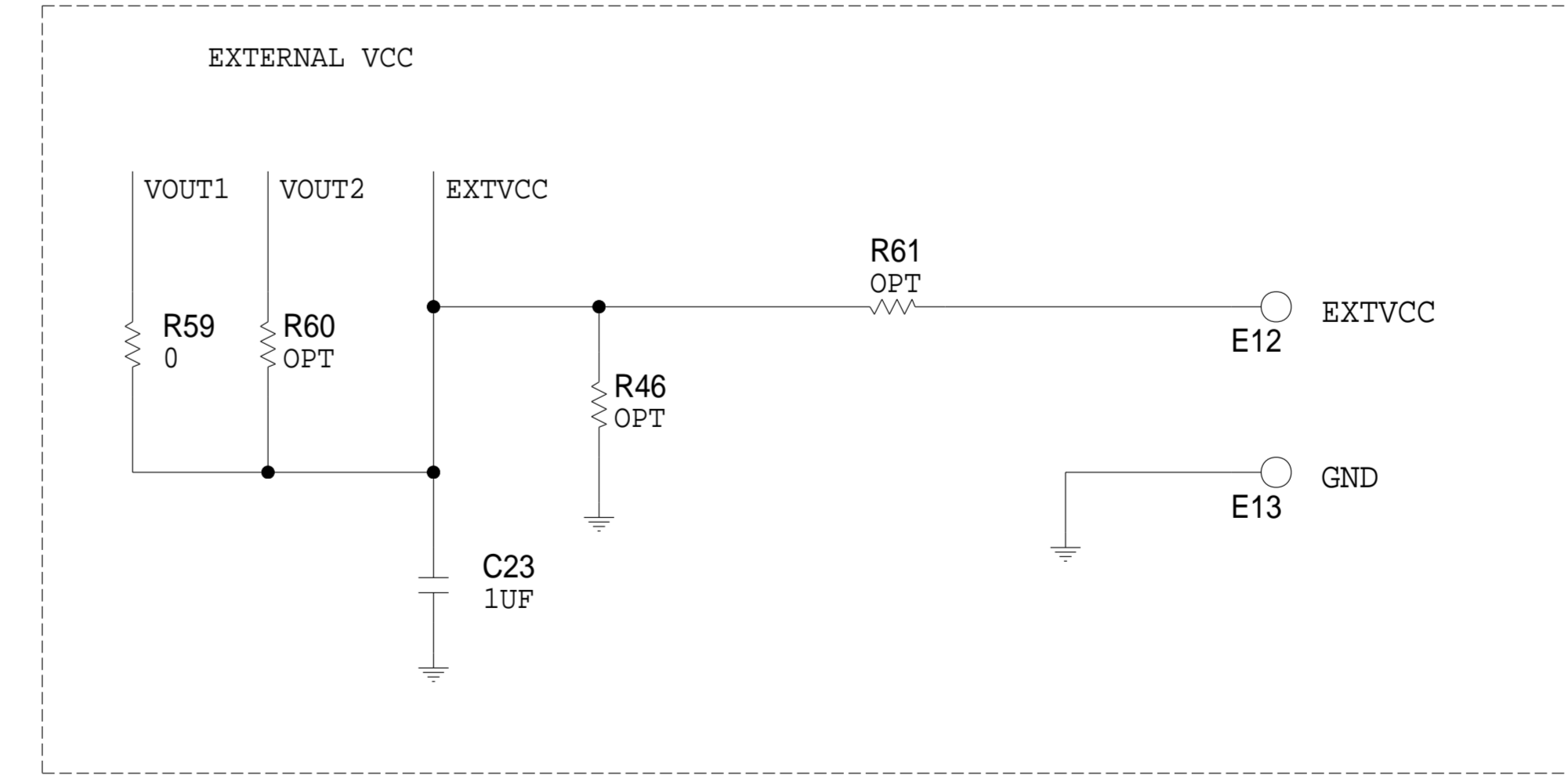
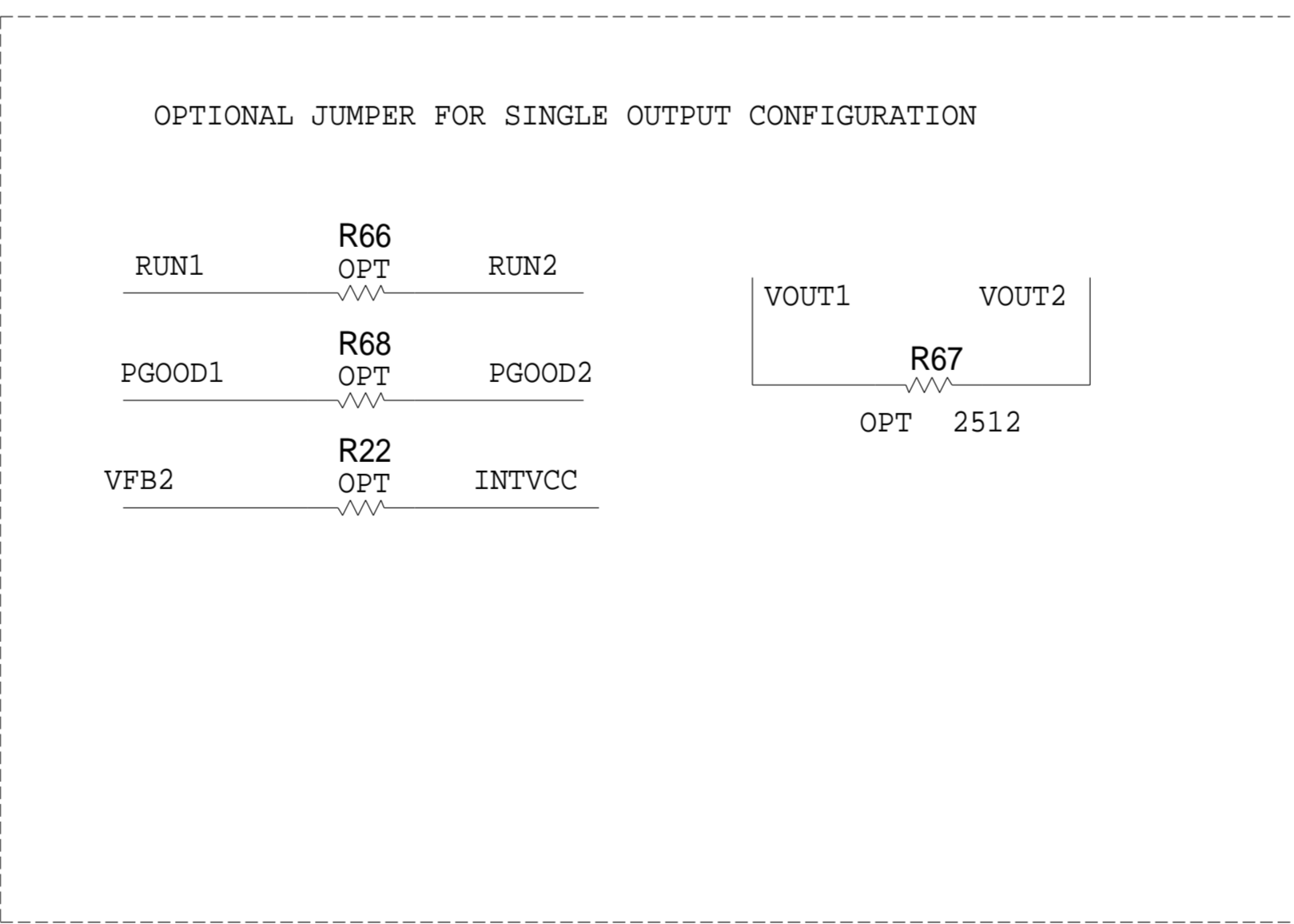
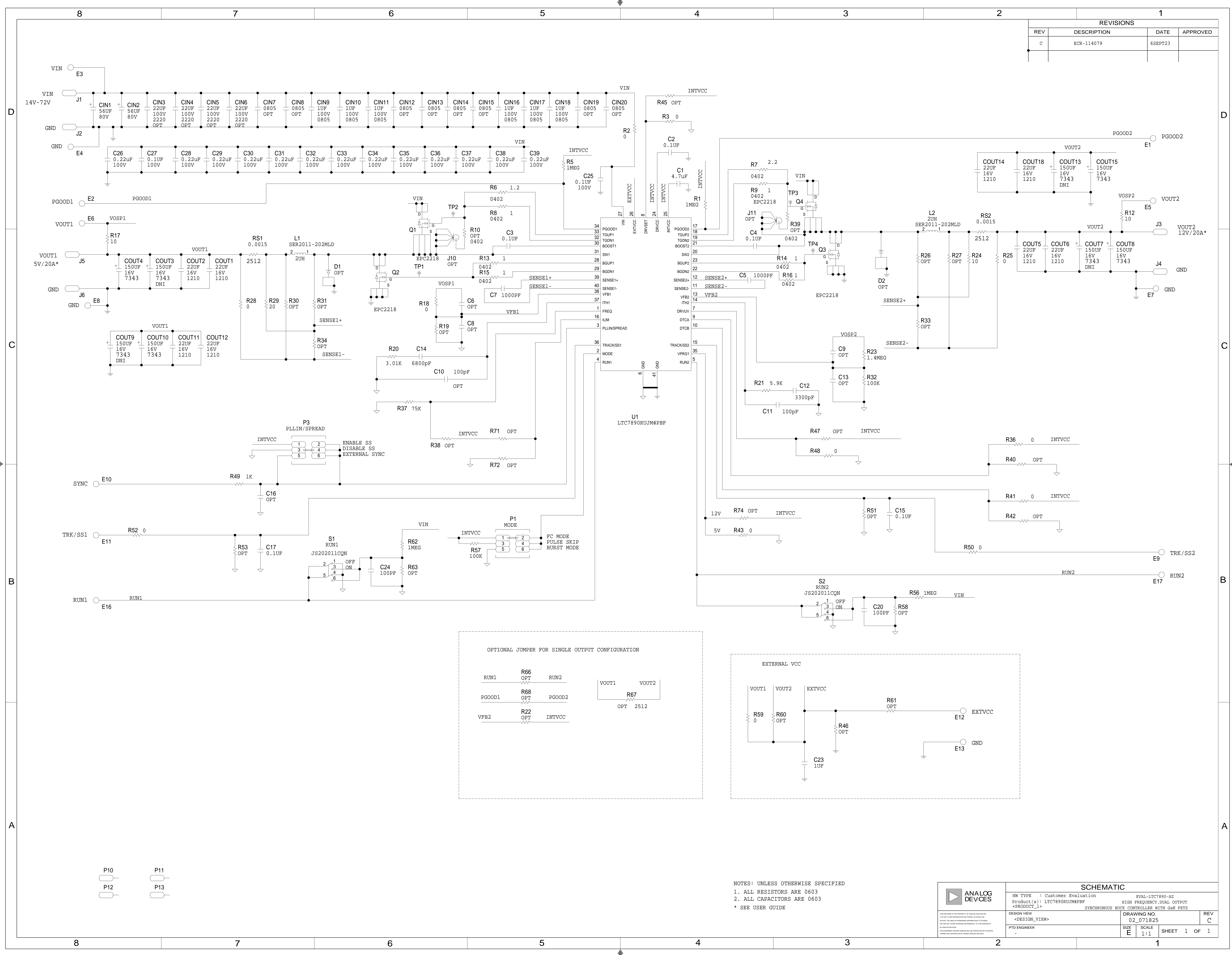


REVISIONS			
REV	DESCRIPTION	DATE	APPROVED
C	ECR-114079	6SEPT23	



NOTES: UNLESS OTHERWISE SPECIFIED
 1. ALL RESISTORS ARE 0603
 2. ALL CAPACITORS ARE 0603
 * SEE USER GUIDE

	SCHEMATIC HW TYPE : Customer Evaluation EVAL-LTC7890-AZ Product(s): LTC7890RUJM#PBF HIGH FREQUENCY, DUAL OUTPUT <PRODUCT_1> SYNCHRONOUS BUCK CONTROLLER WITH GaN FETS	
	DESIGN VIEW <DESIGN_VIEW> PTD ENGINEER : -	DRAWING NO. 02_071825 SIZE 1:1

