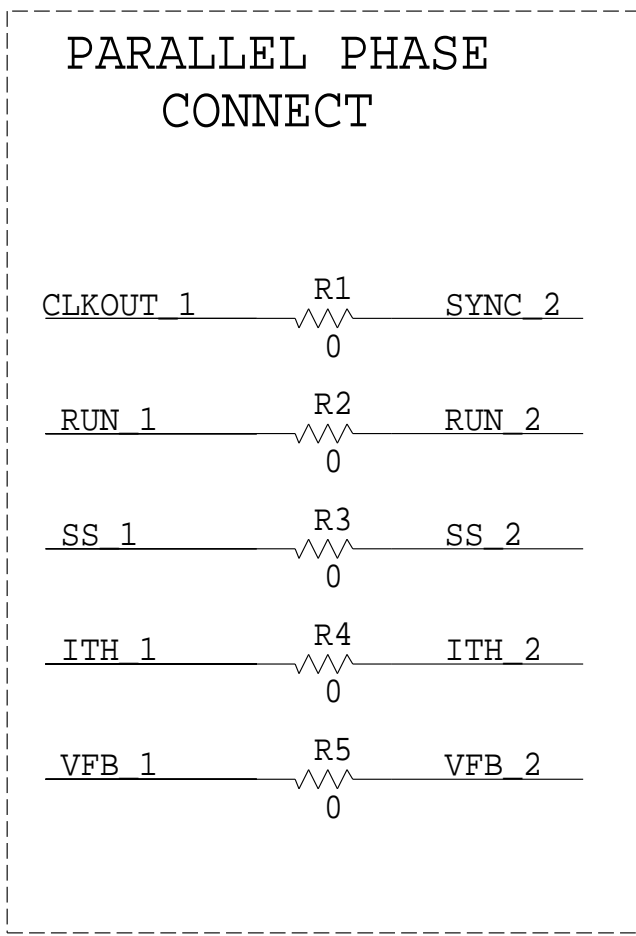
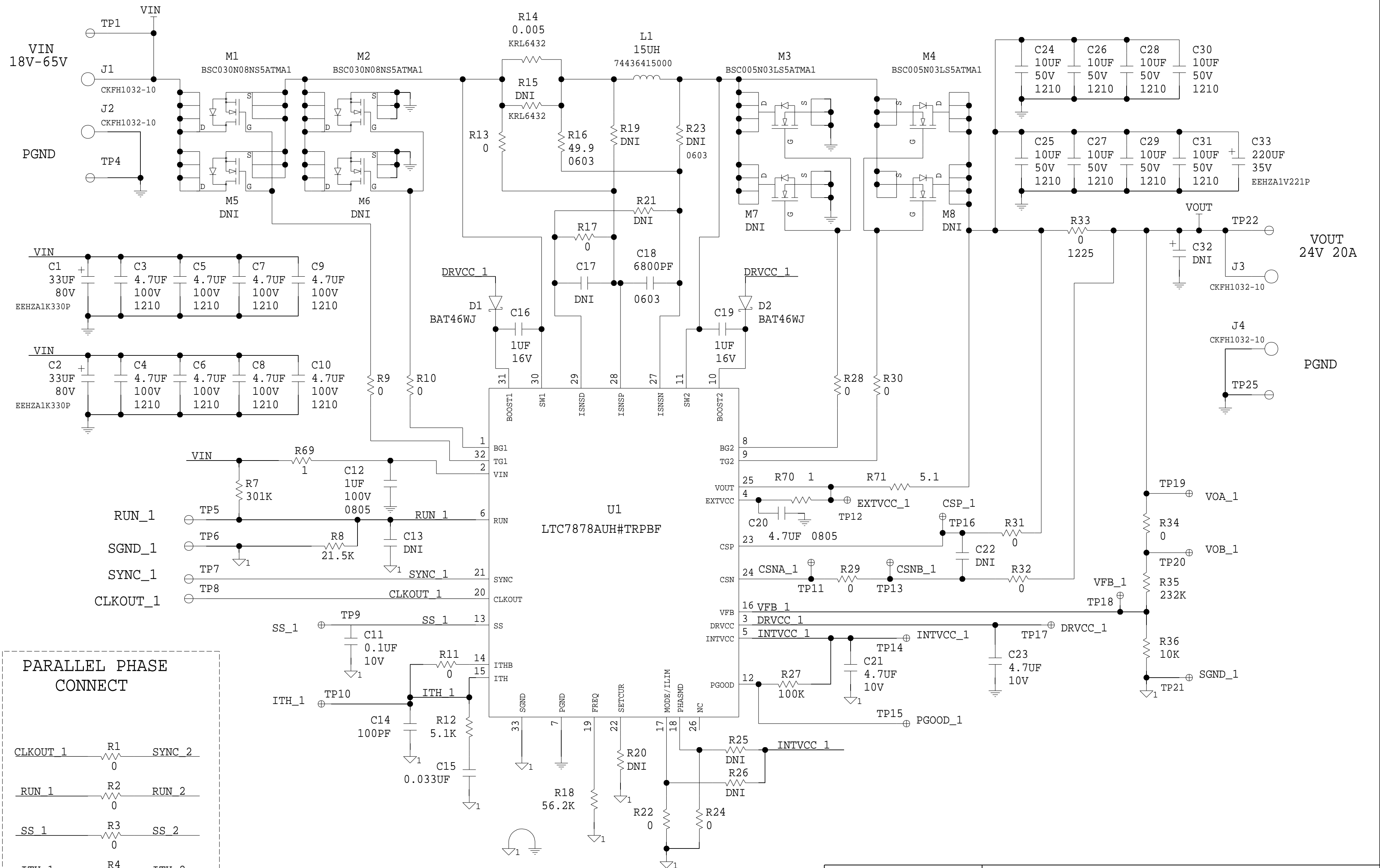


REVISIONS

REV	DESCRIPTION	DATE	APPROVED
2		DDMMYY	X



NOTES: UNLESS OTHERWISE SPECIFIED
ALL RESISTORS ARE 0402
ALL CAPACITORS ARE 0402



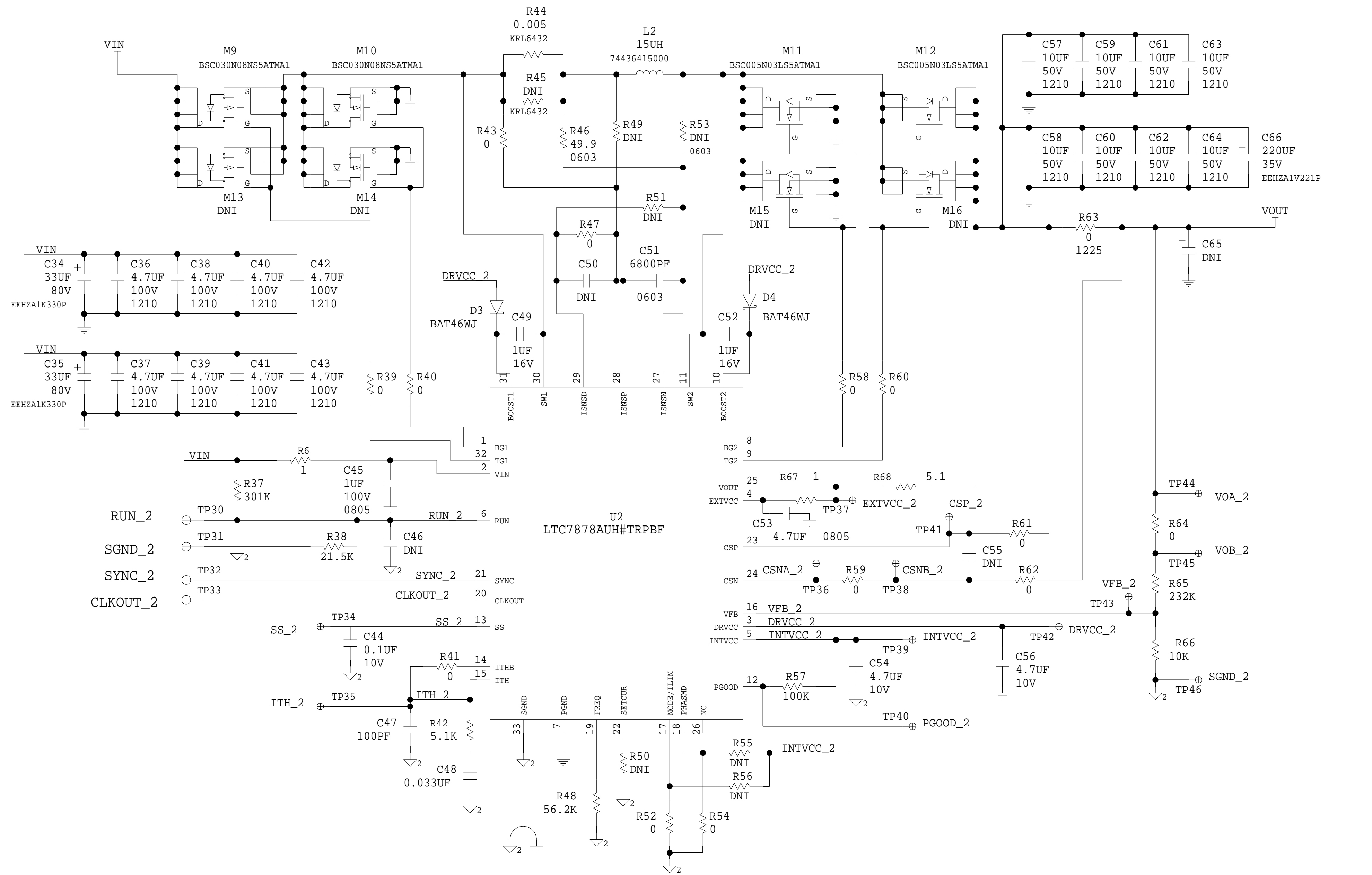
THIS DRAWING IS THE PROPERTY OF ANALOG DEVICES INC. IT IS NOT TO BE REPRODUCED OR COPIED, IN WHOLE OR IN PART, OR USED IN FURNISHING INFORMATION TO OTHERS, OR FOR ANY OTHER PURPOSE DETRIMENTAL TO THE INTERESTS OF ANALOG DEVICES. THE EQUIPMENT DESIGN HEREIN MAY BE PROTECTED BY PATENTS OWNED OR CONTROLLED BY OWNED ANALOG DEVICES.

SCHEMATIC

HW TYPE : Customer Evaluation EVAL-LTC7878-AZ		Product(s): LTC7878	
70V Parallel Dual Phase 4-Switch Buck-Boost			
DESIGN VIEW <DESIGN_VIEW>	DRAWING NO. 02_076374		REV A
PTD ENGINEER -	SIZE C	SCALE 1:1	SHEET 1 OF 2

REVISIONS

REV	DESCRIPTION	DATE	APPROVED



NOTES: UNLESS OTHERWISE SPECIFIED
 ALL RESISTORS ARE 0402
 ALL CAPACITORS ARE 0402

	SCHEMATIC		
	HW TYPE : Customer Evaluation EVAL-LTC7878-AZ Product(s): LTC7878 70V Parallel Dual Phase 4-Switch Buck-Boost		
	DESIGN VIEW <DESIGN_VIEW>	DRAWING NO. 02_076374	REV A
	PTD ENGINEER -	SIZE C	SCALE 1:1
		SHEET 2 OF 2	