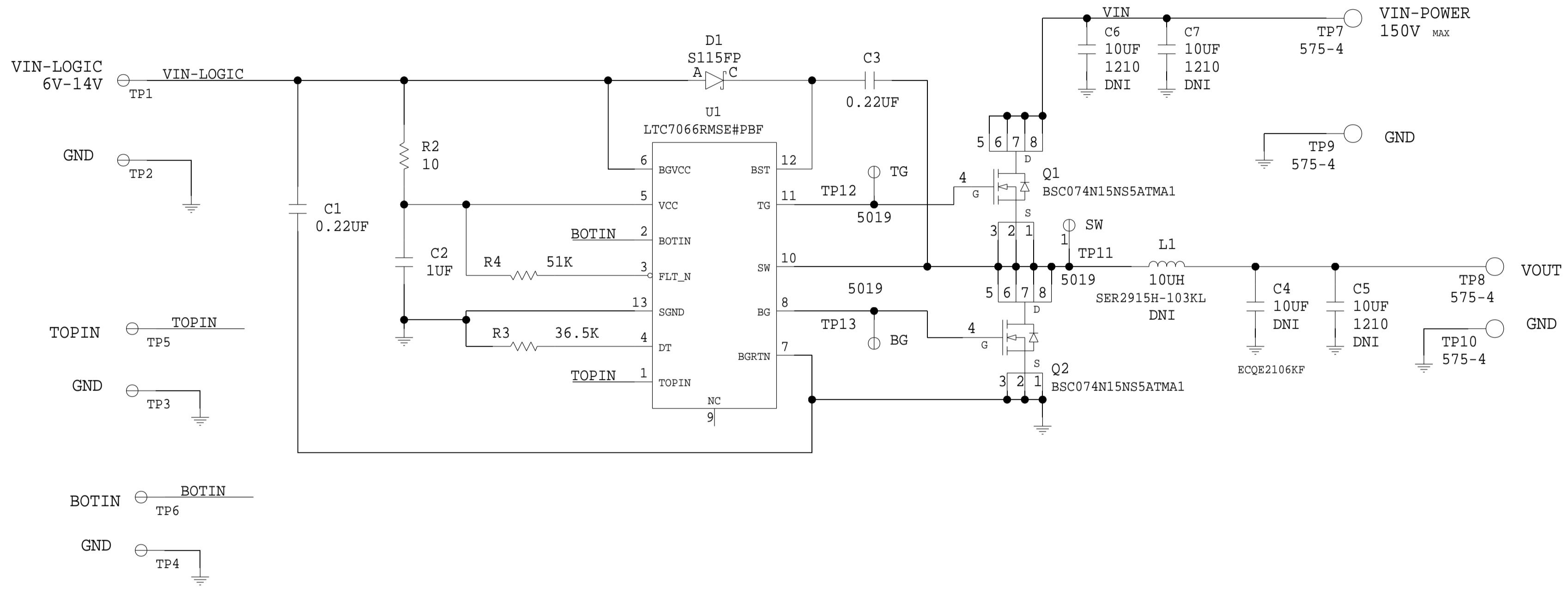


REVISIONS			
REV	DESCRIPTION	DATE	APPROVED
A	INITIAL RELEASE	27JUL22	X
B	ECR-110852	29SEP22	X



NOTES: UNLESS OTHERWISE SPECIFIED
 ALL RESISTORS ARE 0603
 ALL CAPACITORS ARE 0603

	SCHEMATIC		
	HW TYPE: Customer Evaluation EVAL-LTC7066-AZ Product(s): LTC7066 150V Half-Bridge Driver with Floating Grounds and Adjustable Dead-Time		
	DESIGN VIEW <DESIGN_VIEW>	DRAWING NO. 02_072558	REV B
PTD ENGINEER -	SIZE C	SCALE 1:1	SHEET 1 OF 1